



US00D783919S

(12) **United States Design Patent**  
**Slaughenhaupt et al.**

(10) **Patent No.:** **US D783,919 S**

(45) **Date of Patent:** **\*\* Apr. 11, 2017**

(54) **COMBINED LITTER AND RECYCLING RECEPTACLE**

(71) Applicant: **VICTOR STANLEY, INC.**, Dunkirk, MD (US)

(72) Inventors: **Bryan Slaughenhaupt**, Deale, MD (US); **Gerald Skalka**, Potomac, MD (US)

(73) Assignee: **VICTOR STANLEY, INC.**, Dunkirk, MD (US)

(\*\*) Term: **15 Years**

(21) Appl. No.: **29/527,702**

(22) Filed: **May 21, 2015**

(51) **LOC (10) Cl.** ..... **09-09**

(52) **U.S. Cl.**  
USPC ..... **D34/1**

(58) **Field of Classification Search**  
USPC ..... D34/1-11; 220/908-913  
CPC .... B65F 1/06; B65F 1/08; B65F 1/163; B65F 1/1607; B65F 1/106; B65F 1/1615; B65F 1/068  
See application file for complete search history.

(56) **References Cited**

**U.S. PATENT DOCUMENTS**

3,793,756 A *	2/1974	Kay	.....	B65F 1/1426
				220/908
D417,053 S *	11/1999	Skalka	.....	D34/6
D473,361 S *	4/2003	Englert	.....	D34/7
D476,456 S *	6/2003	Englert	.....	D34/7
D484,661 S *	12/2003	Englert	.....	D34/7
D547,019 S *	7/2007	Weiss	.....	D34/7
D549,418 S *	8/2007	Boydston	.....	D34/1
D555,863 S *	11/2007	Weiss	.....	D34/1
D606,721 S *	12/2009	Moore	.....	D34/7
D643,986 S *	8/2011	Soto	.....	D34/1

D643,987 S *	8/2011	Soto	.....	D34/1
D655,473 S *	3/2012	Moore	.....	D34/11
D672,109 S *	12/2012	Moore	.....	D34/6
D724,807 S *	3/2015	Gerard	.....	D34/1
D734,583 S *	7/2015	Gerard	.....	D34/1

**OTHER PUBLICATIONS**

- “Ironsites® SD-242 Recycling Station,” Victor Stanley, Inc., 2014 (4 pages).
- “RSDC-36 Steelsites™ Series,” Rev. Jun. 10, 2011, Victor Stanley, Inc., 2011 (1 page).
- “SD-242 Ironsites® Series,” Rev. Jun. 4, 2014, Victor Stanley, Inc., 2014 (1 page).
- “SD-242 Ironsites® Series Side-Door Recycling Station,” Rev. Jun. 2, 2014, Victor Stanley, Inc., 2014 (1 page).
- “Steelsites™ Side-Deposit Receptacles,” Victor Stanley, Inc. 2014 (4 pages).

(Continued)

*Primary Examiner* — Cynthia Ramirez  
(74) *Attorney, Agent, or Firm* — Westerman, Hattori, Daniels & Adrian, LLP

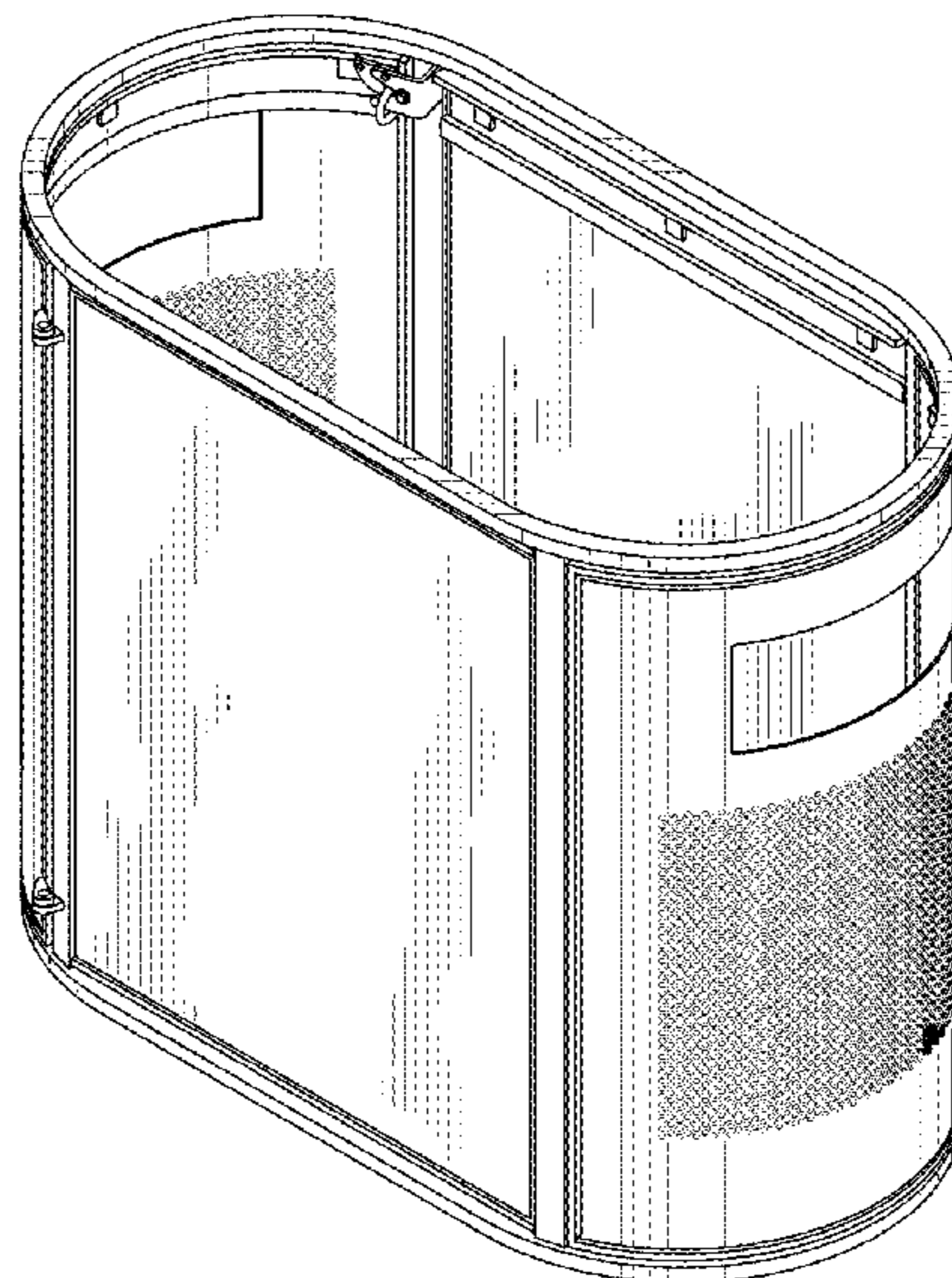
(57) **CLAIM**

The ornamental design for a combined litter and recycling receptacle, as shown and described.

**DESCRIPTION**

FIG. 1 is a perspective view of a combined litter and recycling receptacle showing our new design; FIG. 2 is a front elevational view thereof, the rear being a mirror image thereof; FIG. 3 is a top plan view thereof; FIG. 4 is a bottom plan view thereof; and, FIG. 5 is a left side view thereof, the right side being a mirror image thereof.

**1 Claim, 2 Drawing Sheets**



(56)

**References Cited**

OTHER PUBLICATIONS

“Recycling Solutions,” Jul. 2008 MP 50M SM731, Rubbermaid®  
Commercial Products, 2008 (5 pages).  
Dual Purpose Litter and Recycling Receptacle, U.S. Appl. No.  
29/527,701, filed May 21, 2015.

\* cited by examiner

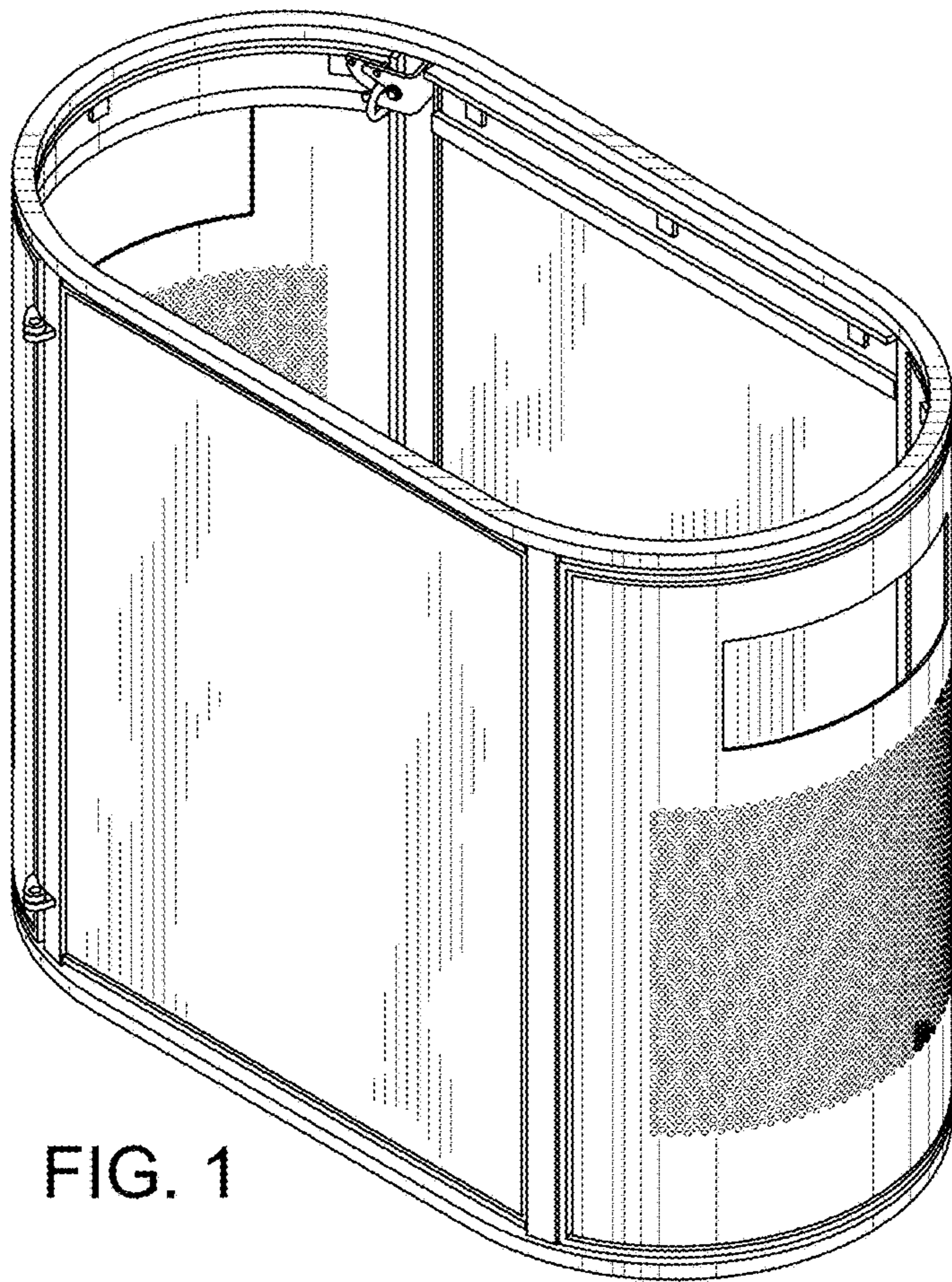


FIG. 1

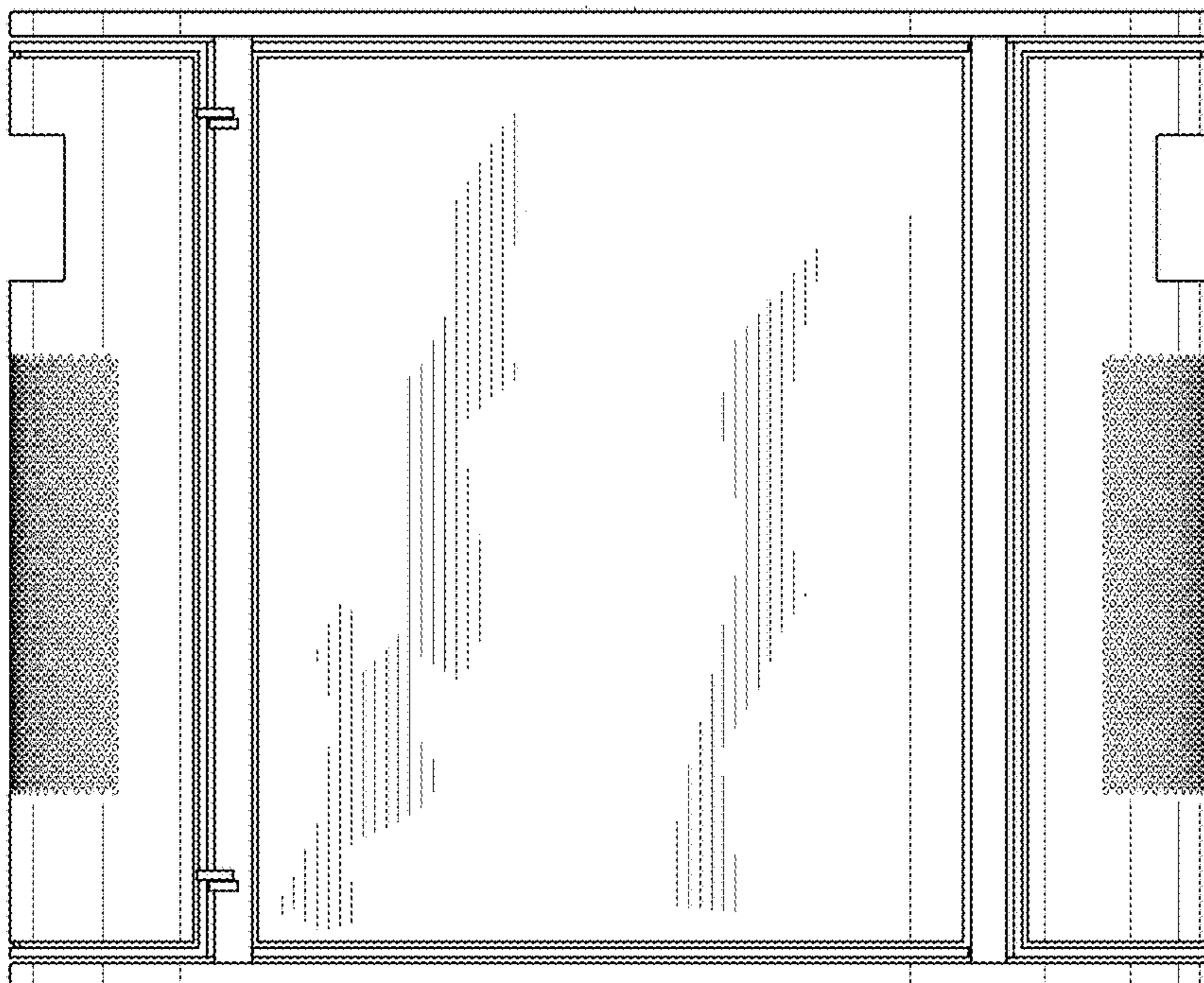


FIG. 2

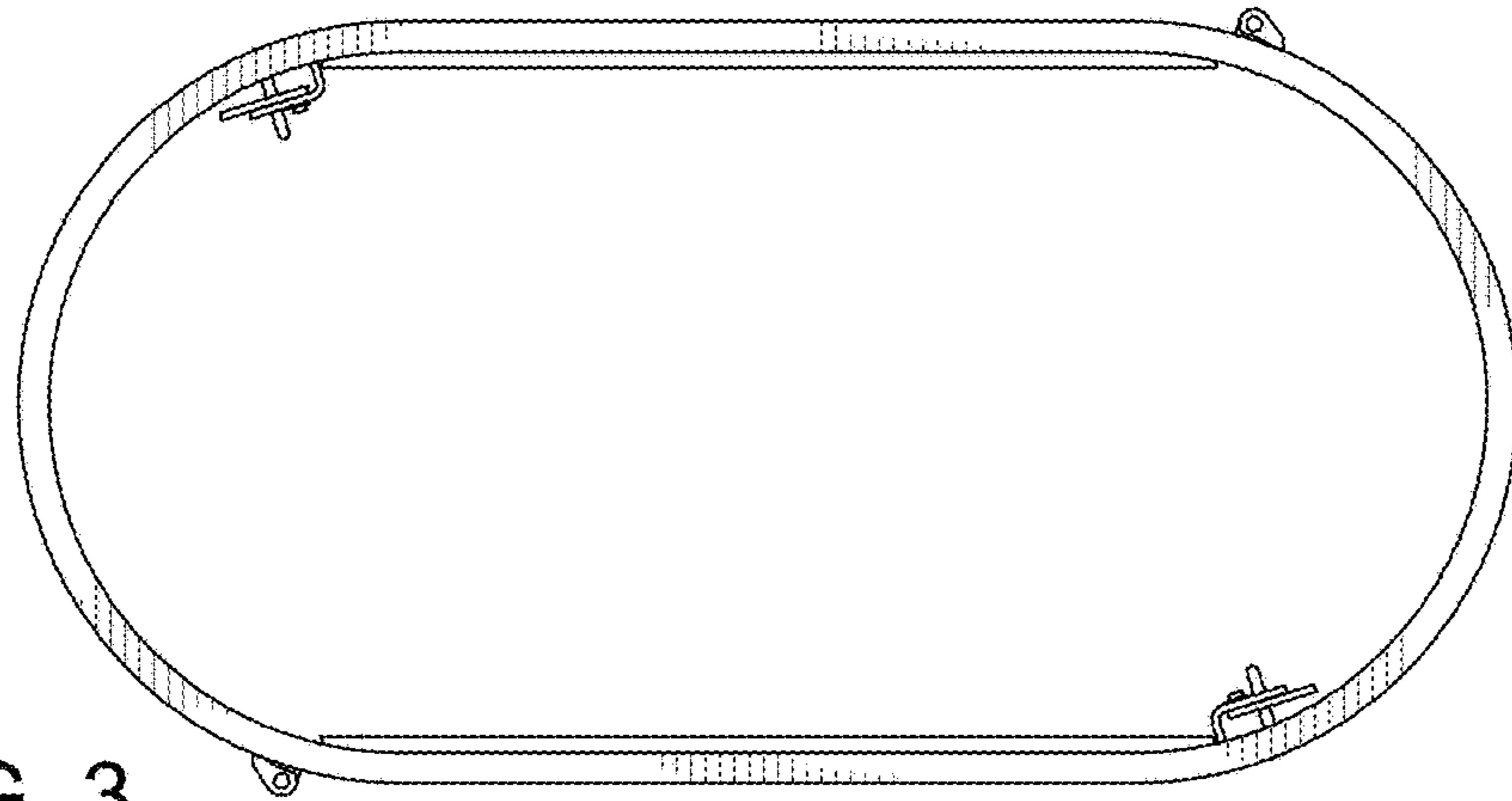


FIG. 3

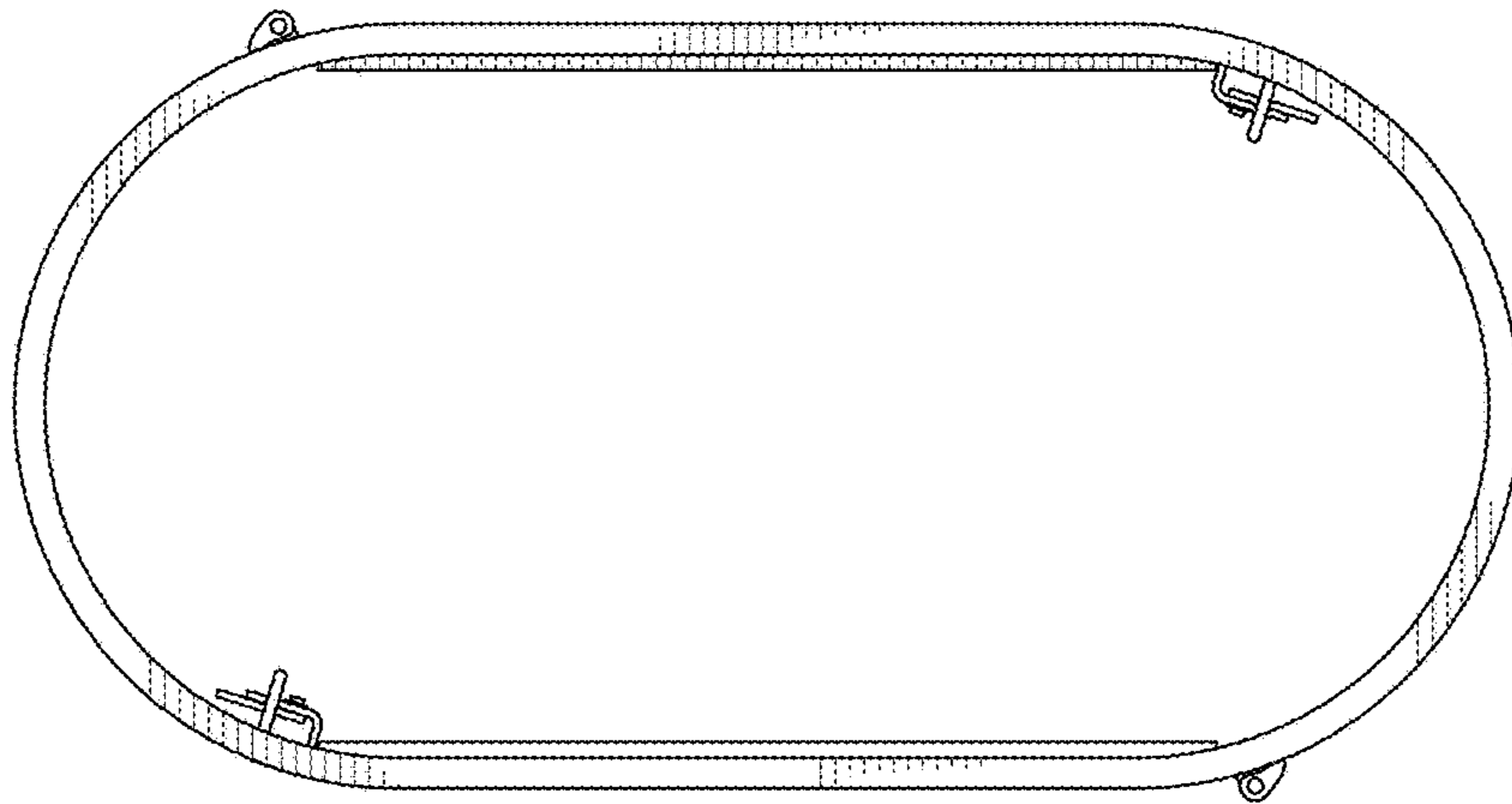


FIG. 4

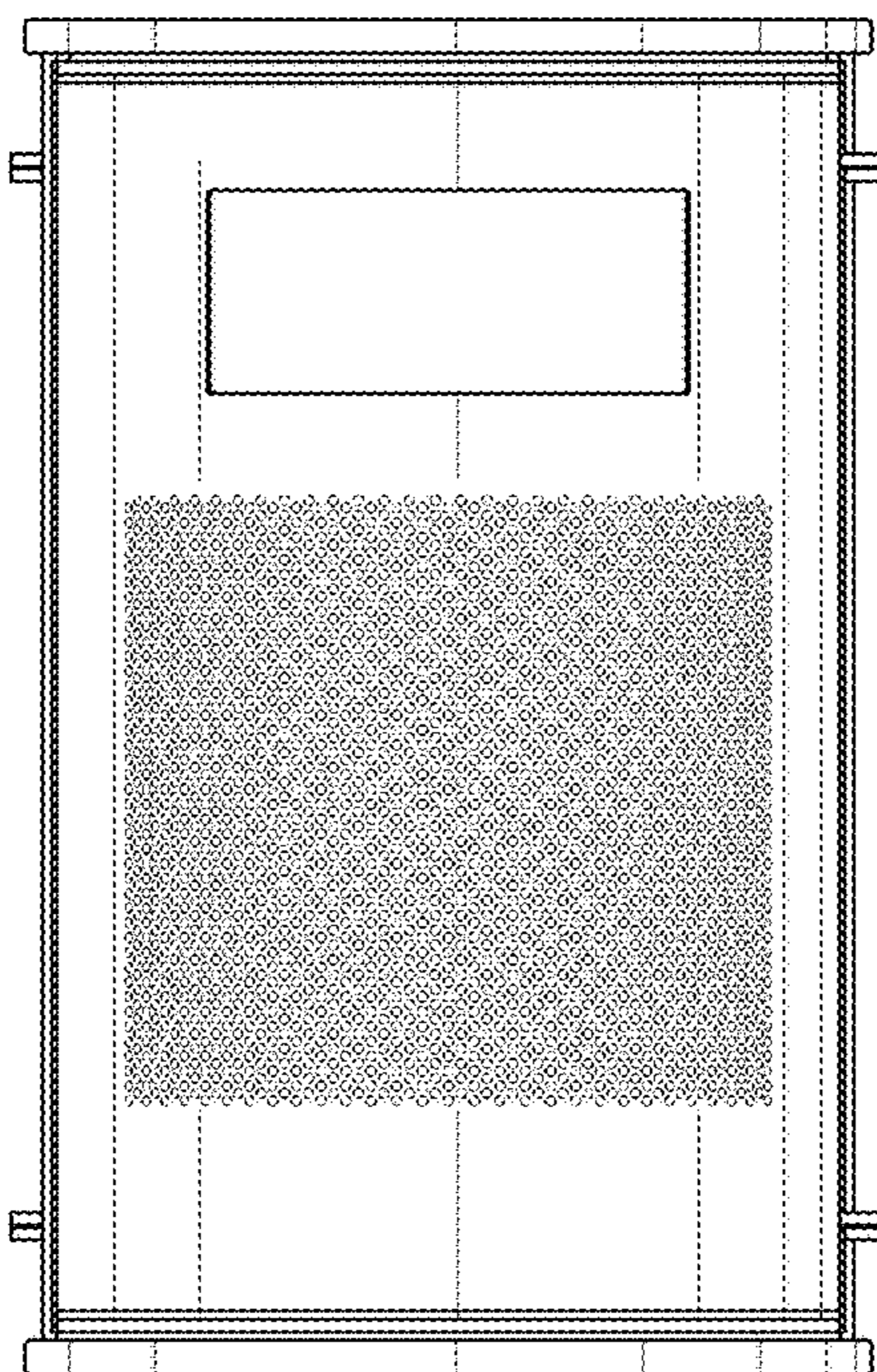


FIG. 5