



US00D783917S

(12) **United States Design Patent**  
**Gringer et al.**

(10) **Patent No.:** **US D783,917 S**

(45) **Date of Patent:** **\*\* Apr. 11, 2017**

(54) **PAINT CONTAINER**

(71) Applicant: **ALLWAY TOOLS, INC.**, Bronx, NY (US)

(72) Inventors: **Donald Gringer**, New York, NY (US);  
**Yuan Fang Cheng**, Syosset, NY (US)

(73) Assignee: **ALLWAY TOOLS, INC.**, Bronx, NY (US)

(\*\*) Term: **15 Years**

(21) Appl. No.: **29/574,160**

(22) Filed: **Aug. 12, 2016**

(51) **LOC (10) Cl.** ..... **07-07**

(52) **U.S. Cl.**  
USPC ..... **D32/53.1**

(58) **Field of Classification Search**  
USPC ..... D32/53, 53.1, 54; 220/570, 904, 754,  
220/495.01, 495.02; 15/260-264  
CPC ..... A47L 13/142; A47L 13/58; B65D 25/14;  
B65D 25/16  
See application file for complete search history.

(56) **References Cited**

**U.S. PATENT DOCUMENTS**

1,304,415 A	5/1919	Tucker
1,590,572 A	6/1926	Fredette
1,734,976 A	11/1929	Macclellan
1,950,505 A	3/1934	Matters
2,709,540 A	5/1955	Kenney
4,061,242 A	12/1977	Donlon
4,164,299 A	8/1979	Fuhr
4,860,891 A	8/1989	Biggio
4,895,269 A	1/1990	Cade
4,927,046 A	5/1990	Armstrong
4,928,873 A	5/1990	Johnson
5,033,704 A	7/1991	Kerr
5,147,067 A	9/1992	Effertz

5,169,025 A	12/1992	Guo
5,222,656 A	6/1993	Carlson
5,320,249 A	6/1994	Strech
5,429,262 A	7/1995	Sharkey
5,549,216 A	8/1996	Scholl
5,746,346 A	5/1998	Crilly
5,810,196 A	9/1998	Lundy
RE35,933 E	10/1998	Scholl
D401,116 S	11/1998	Demore
6,065,633 A	5/2000	Abbey
6,138,963 A	10/2000	Malvasio
D435,728 S	1/2001	Miles et al.

(Continued)

**OTHER PUBLICATIONS**

Allway Tools, Soft Grip Tools for Hard Hat Jobs, Product Catalog, 2014.

*Primary Examiner* — Robin V Webster

(74) *Attorney, Agent, or Firm* — Gottlieb, Rackman & Reisman P.C.

(57) **CLAIM**

The ornamental design for a paint container, as shown and described.

**DESCRIPTION**

FIG. 1 is a perspective view of a paint container showing our design;

FIG. 2 is a rear view thereof;

FIG. 3 is a front view thereof;

FIG. 4 is a right side view thereof;

FIG. 5 is a left side view thereof;

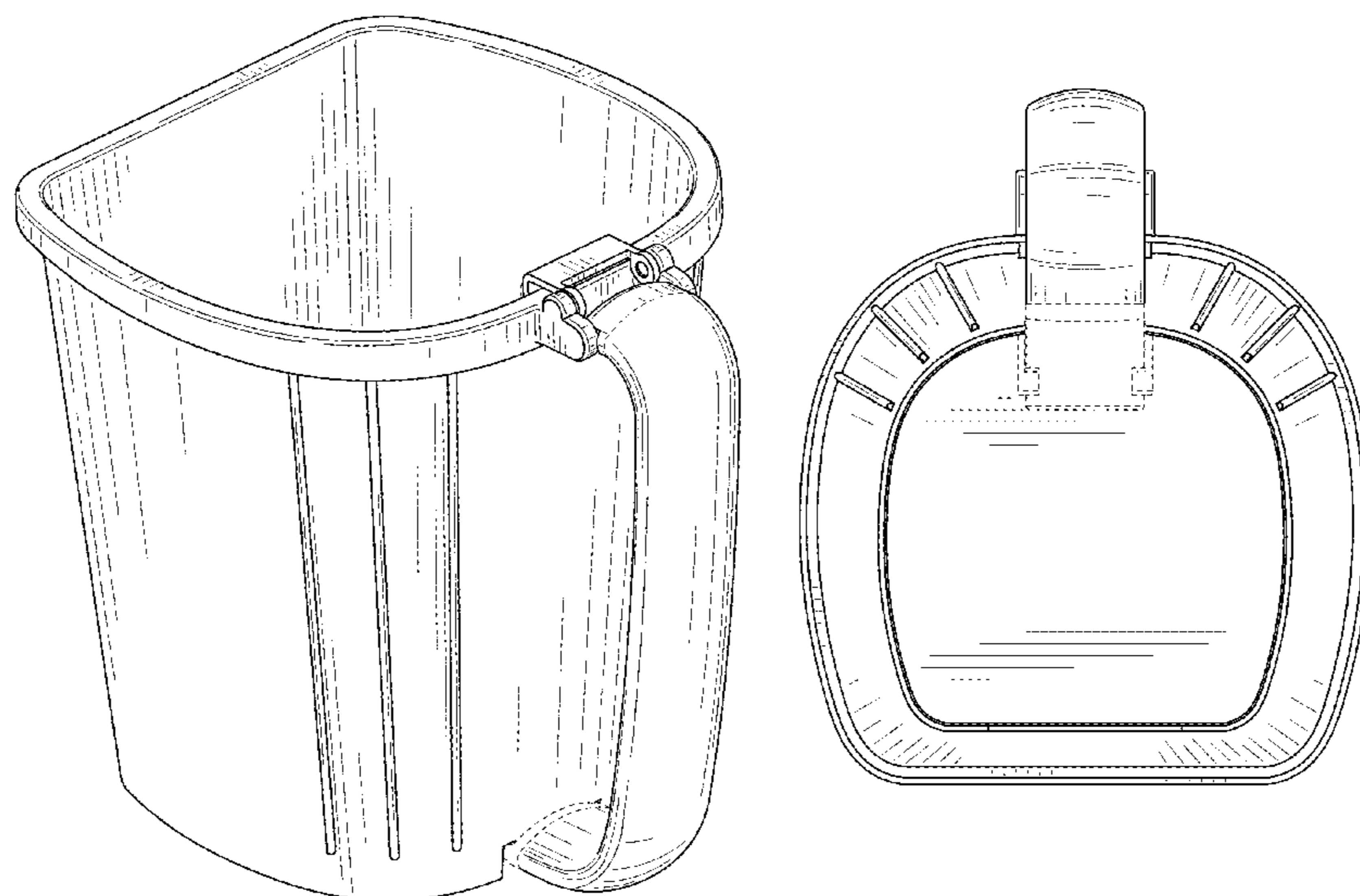
FIG. 6 is a top view thereof;

FIG. 7 is a bottom view thereof; and,

FIG. 8 is a second perspective view thereof.

The broken lines shown in the drawings are included for the purpose of illustrating portions of the article that form no part of the claimed design.

**1 Claim, 5 Drawing Sheets**



(56)

References Cited

U.S. PATENT DOCUMENTS

6,260,730 B1 7/2001 Fellman  
D460,845 S 7/2002 Bergman  
D466,407 S 12/2002 Nance  
6,708,838 B2 3/2004 Bergman et al.  
D493,035 S 7/2004 Bergman  
6,991,829 B2 1/2006 Bergman  
7,191,913 B2\* 3/2007 Byrne ..... B44D 3/121  
220/570  
  
D549,913 S 8/2007 Bergman  
D581,118 S 11/2008 Bergman  
D581,119 S 11/2008 Bergman  
D586,057 S 2/2009 Bechtold, Jr.  
D586,059 S 2/2009 Bechtold, Jr.  
D604,471 S 11/2009 Bergman  
D606,720 S 12/2009 Bergman  
D607,170 S 12/2009 Bergman  
D607,624 S 1/2010 Bergman  
7,644,835 B2 1/2010 Bergman  
D612,119 S 3/2010 Bergman  
D615,265 S 5/2010 Bergman  
D617,068 S 6/2010 Bechtold, Jr.

D617,517 S 6/2010 Bergman  
D618,414 S 6/2010 Bechtold, Jr.  
D619,319 S 7/2010 Bergman  
D627,119 S 11/2010 Bergman  
D630,393 S 1/2011 Bergman  
7,959,030 B2 6/2011 Bergman  
D645,627 S 9/2011 Arvinte et al.  
8,087,554 B2 1/2012 Gringer et al.  
D656,697 S 3/2012 McNeil  
D661,855 S 6/2012 Bergman et al.  
D673,339 S 12/2012 Bergman et al.  
D678,638 S 3/2013 Bergman et al.  
D690,482 S 9/2013 Bergman et al.  
D692,198 S 10/2013 Bergman et al.  
8,550,285 B2 10/2013 Bergman et al.  
8,556,116 B2 10/2013 Bergman et al.  
D697,281 S 1/2014 Bergman et al.  
D702,907 S 4/2014 Bergman et al.  
8,919,604 B2 12/2014 Bergman et al.  
D728,884 S 5/2015 Waffensmith et al.  
D738,057 S \* 9/2015 Arvinte ..... D32/53.1  
D744,186 S \* 11/2015 Gringer ..... D32/53.1  
D744,711 S \* 12/2015 Gringer ..... D32/53.1  
9,409,200 B2 8/2016 Bergman et al.

\* cited by examiner

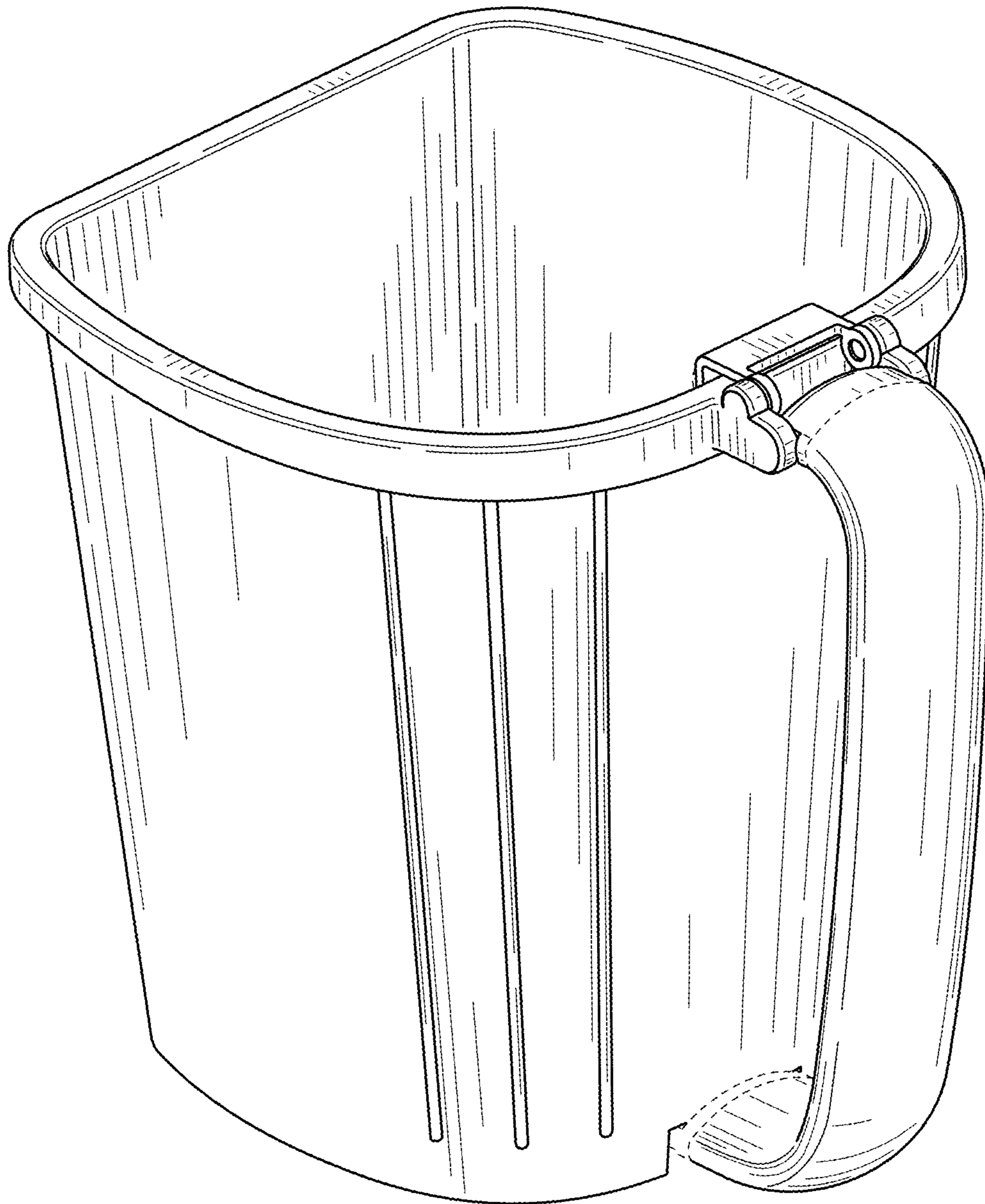


FIG. 1

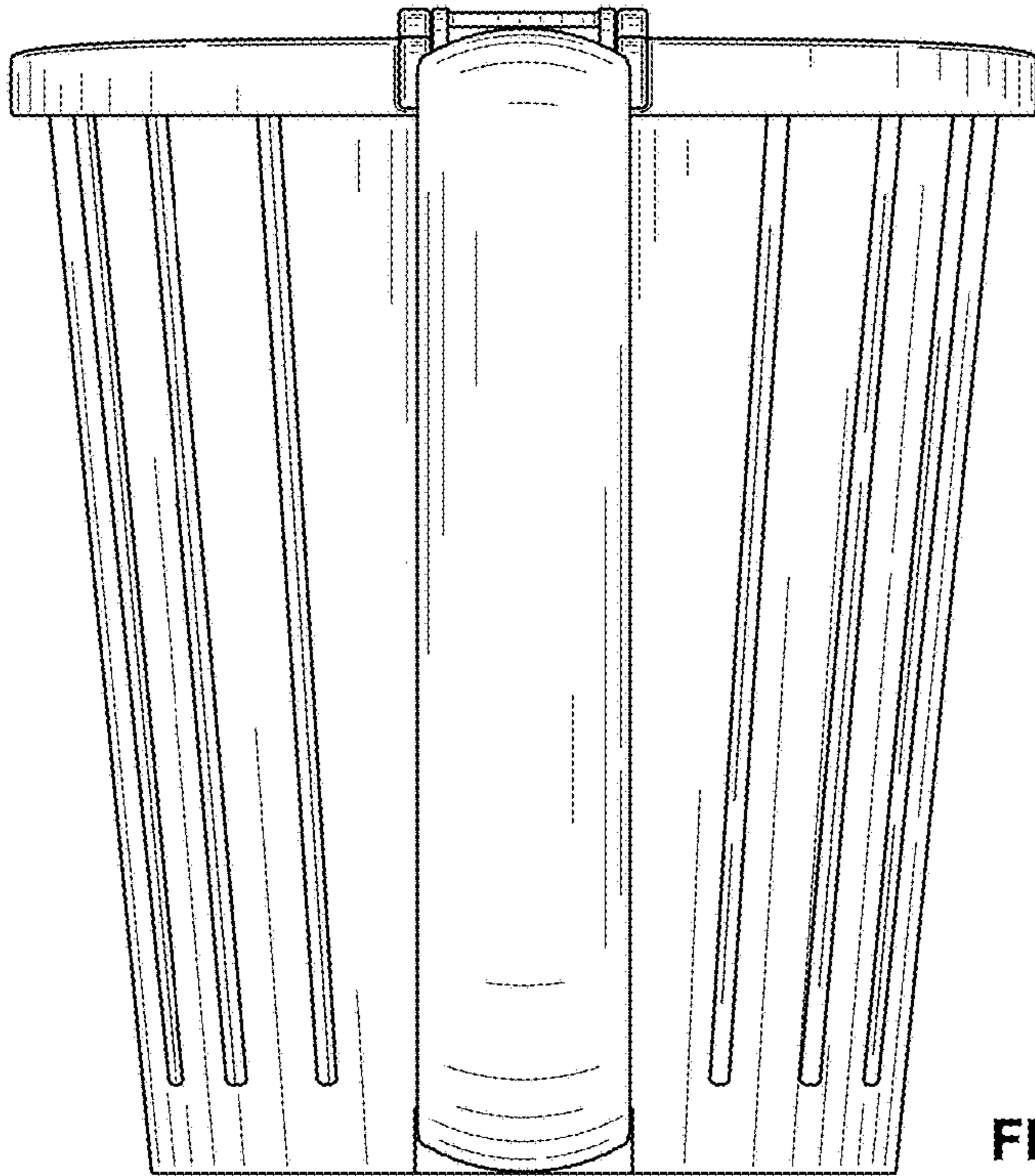


FIG. 2

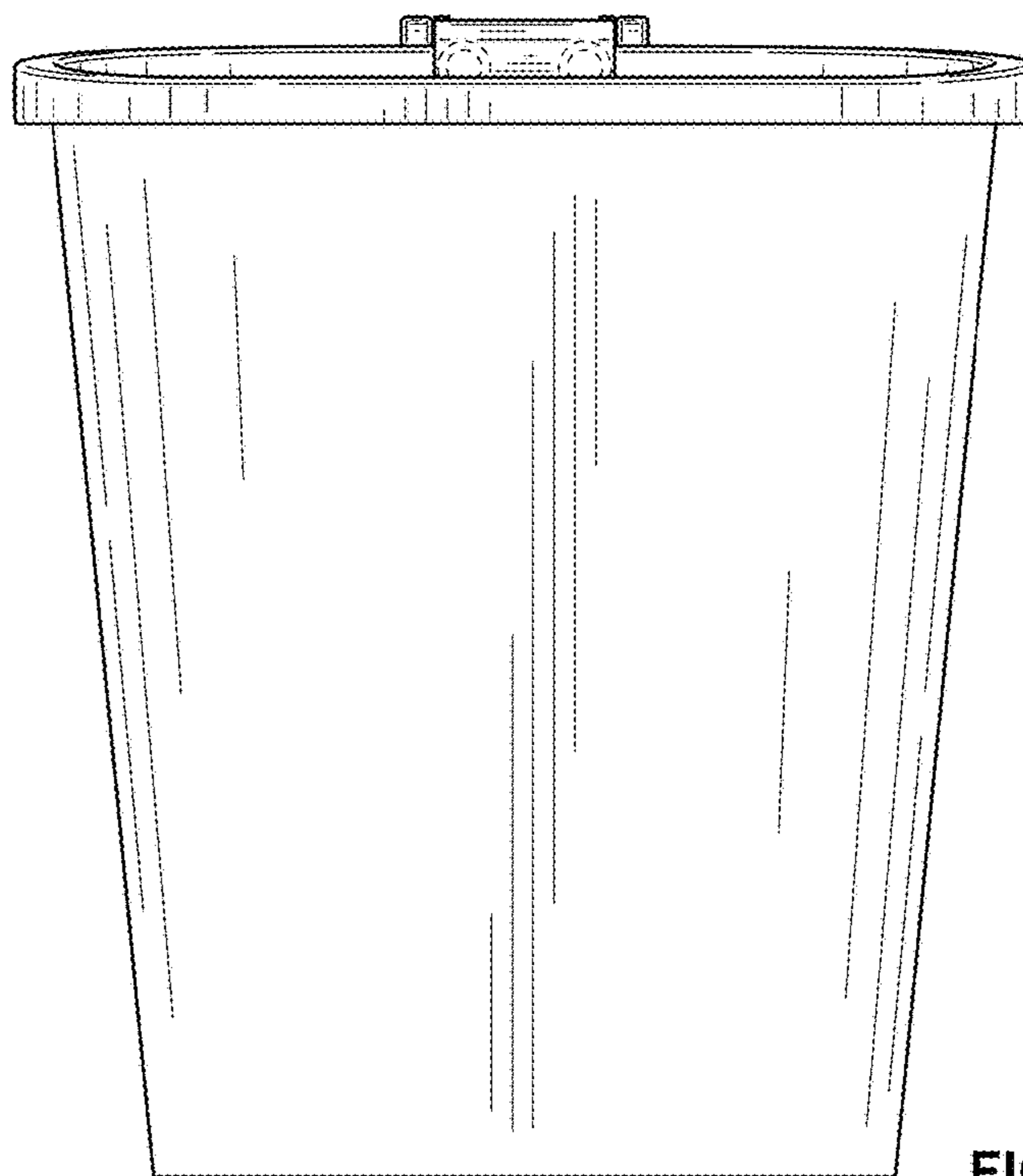


FIG. 3

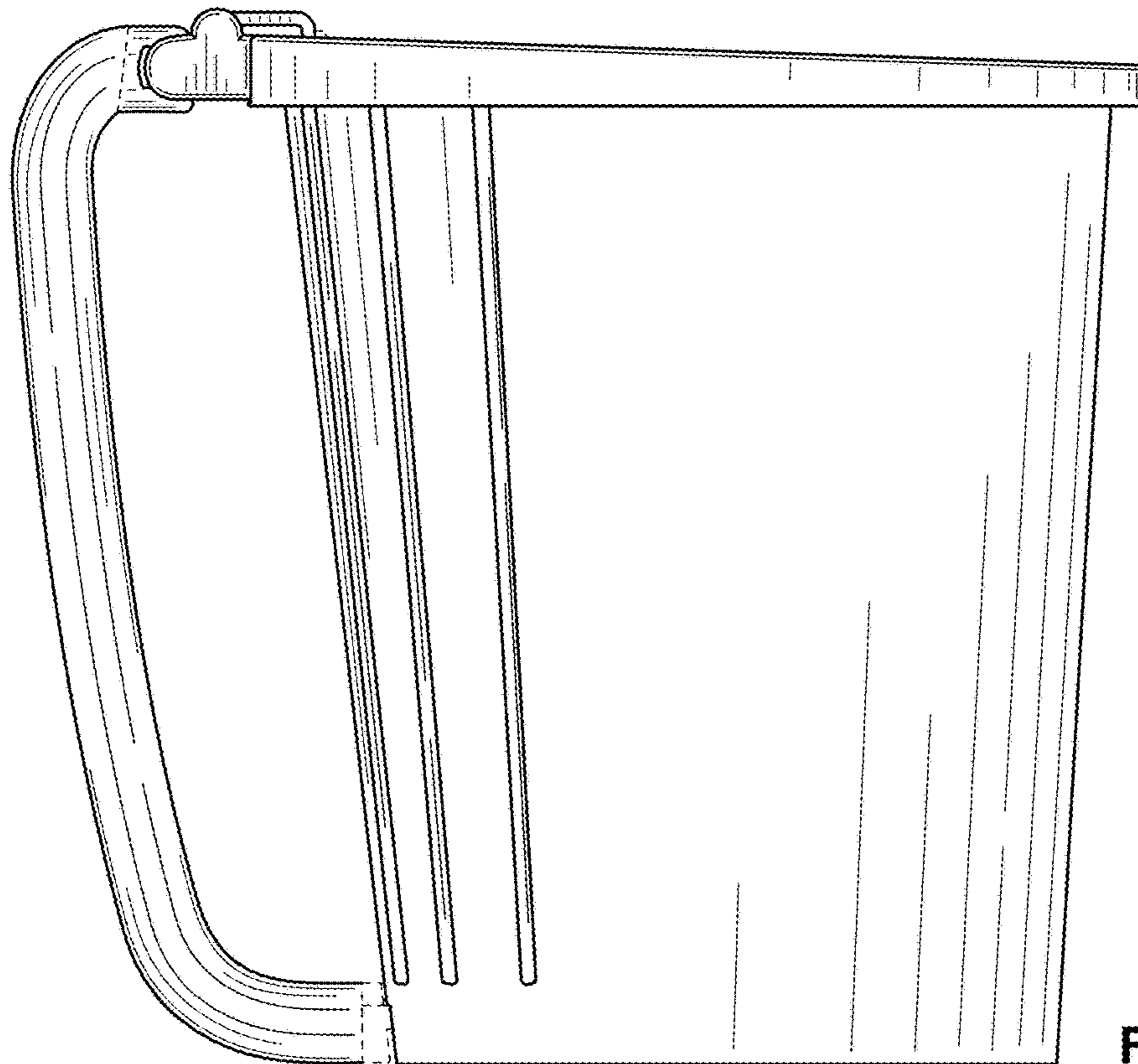


FIG. 4

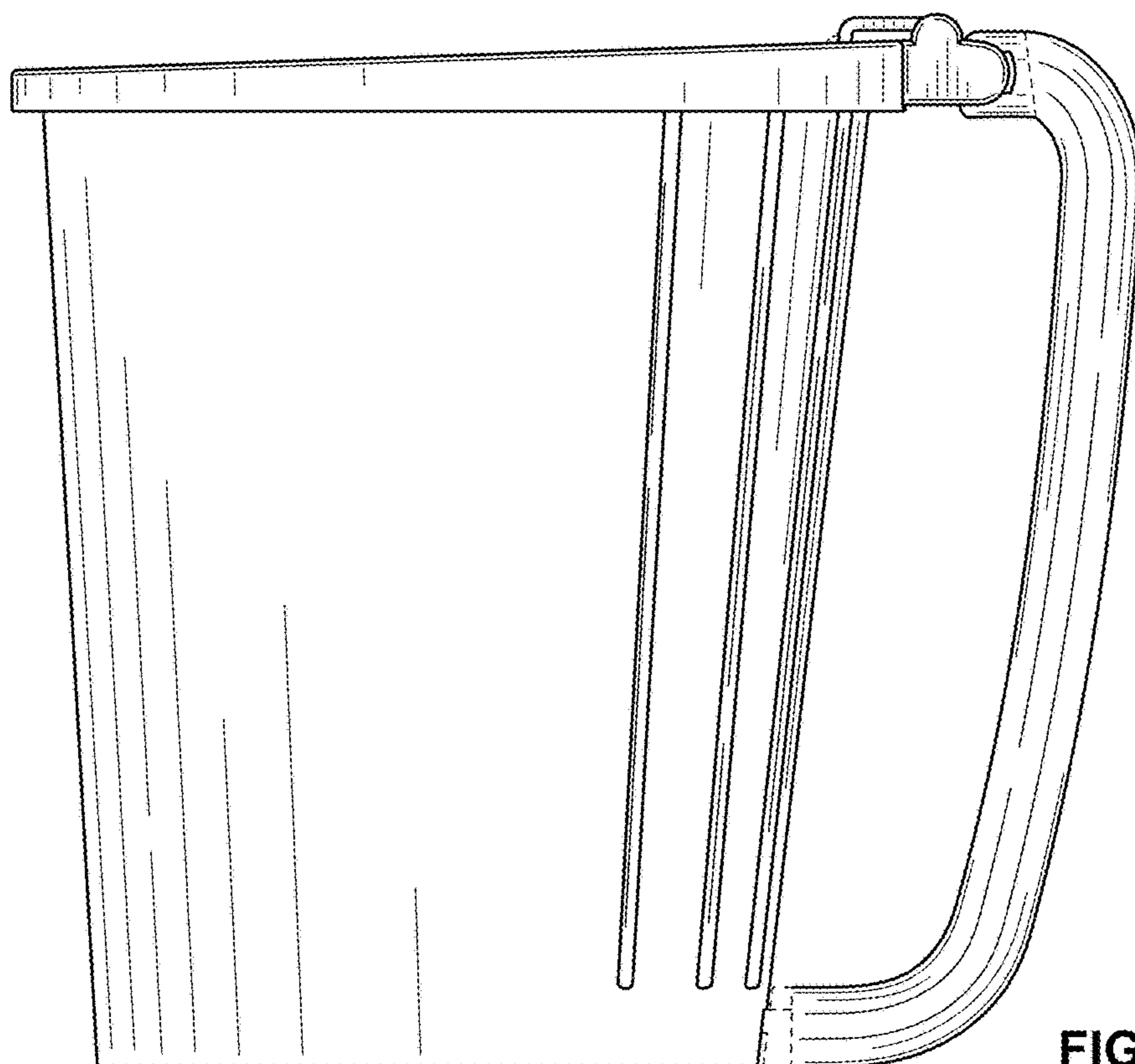


FIG. 5

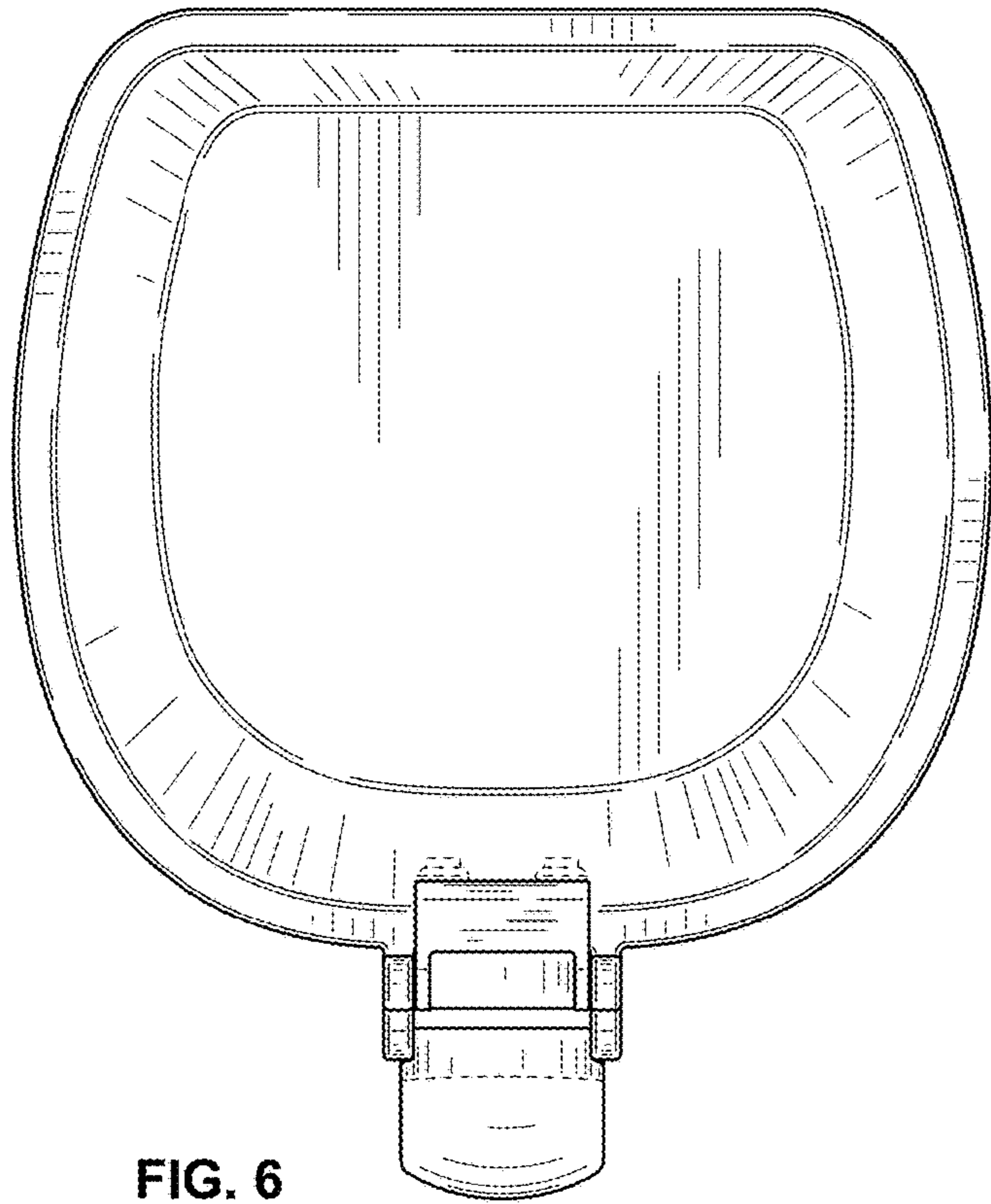


FIG. 6

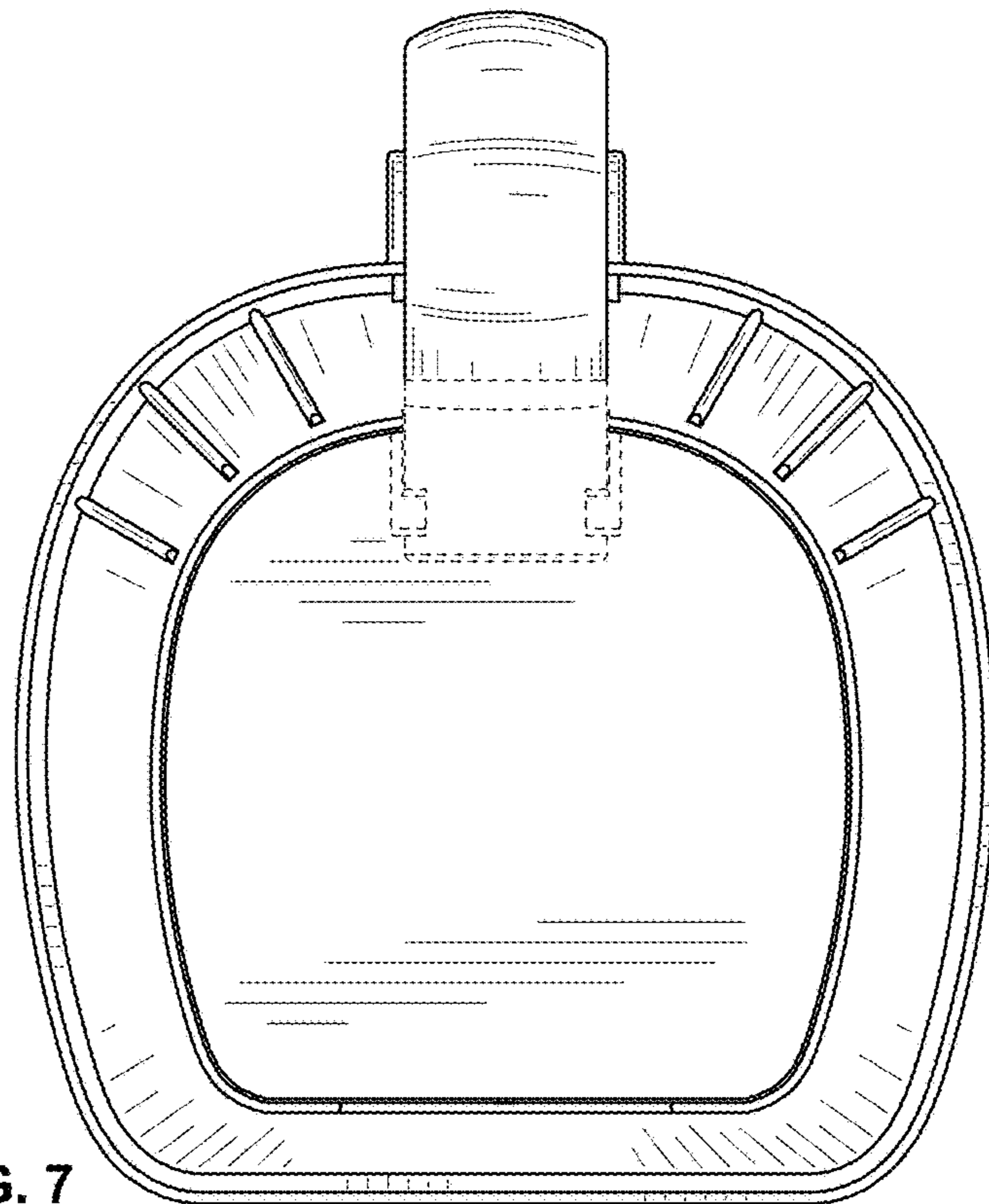


FIG. 7

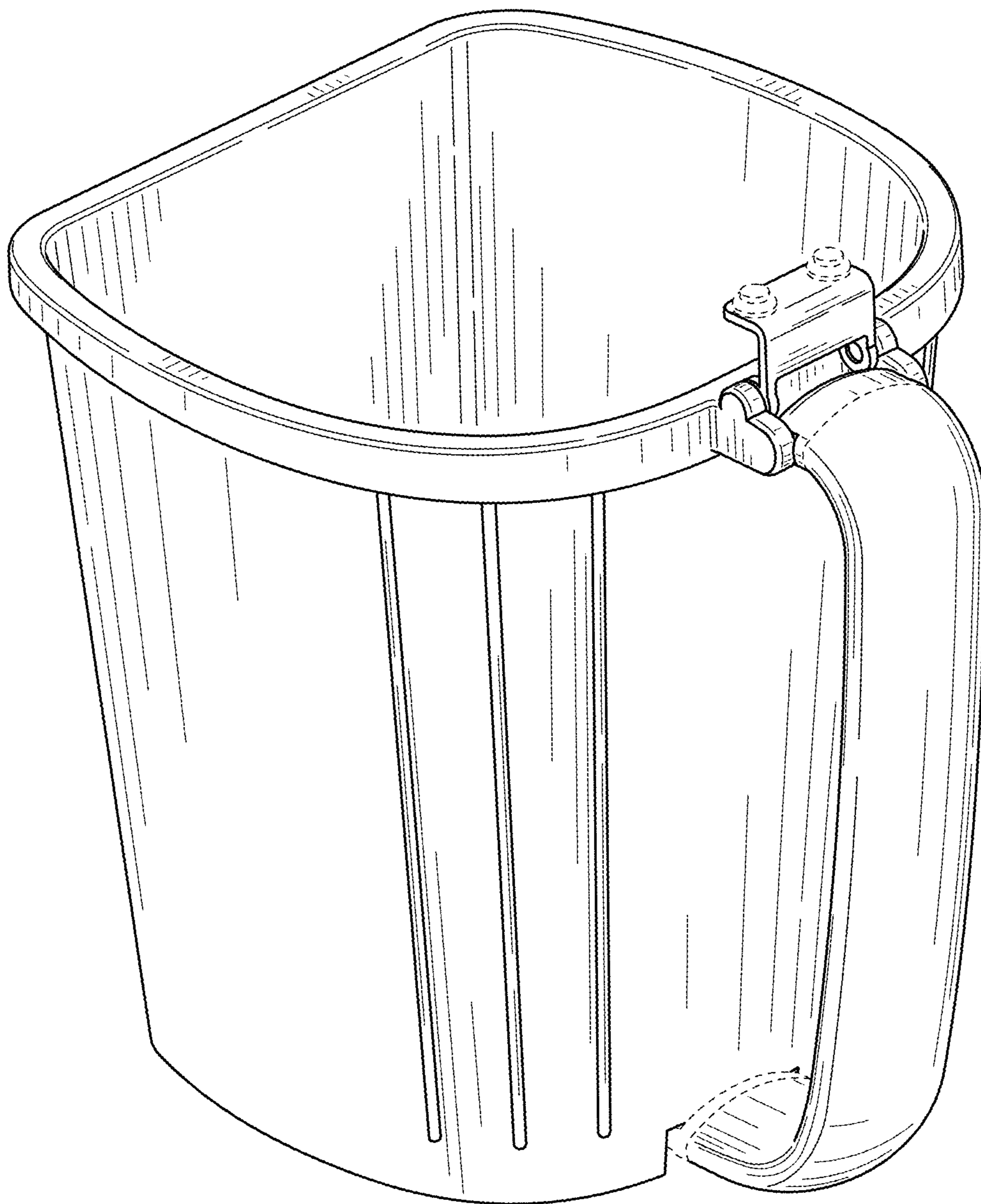


FIG. 8