



US00D783916S

(12) **United States Design Patent**
Davis, Jr. et al.

(10) **Patent No.:** **US D783,916 S**
(45) **Date of Patent:** **** Apr. 11, 2017**

(54) **SOLE SCRAPER**

(71) Applicants: **Gerald Wayne Davis, Jr.**, Noblesville,
IN (US); **Rhonda S. King**, Noblesville,
IN (US)

(72) Inventors: **Gerald Wayne Davis, Jr.**, Noblesville,
IN (US); **Rhonda S. King**, Noblesville,
IN (US)

(**) Term: **14 Years**

(21) Appl. No.: **29/526,369**

(22) Filed: **May 8, 2015**

(51) **LOC (10) Cl.** **08-05**

(52) **U.S. Cl.**
USPC **D32/47**

(58) **Field of Classification Search**
USPC D8/33, 47, 90, 93, 353-354; D32/40-42,
D32/46-49; D7/693-694, 682;
D24/146-147; D21/370, 377; D4/116,
D4/118, 137-138, 199; D12/106, 159,
D12/168-169, 172, 203, 223
CPC A01G 23/12; A01F 11/06; A47L 13/08;
A47L 15/0081; A47L 23/00; A47J
43/288; A46B 15/0002; A46B 15/0055;
A46B 7/00; A46B 7/026; B26B 21/52;
B67B 7/30

See application file for complete search history.

(56) **References Cited**

U.S. PATENT DOCUMENTS

69,112 A * 9/1867 Miller A46B 7/026
15/105
128,897 A * 7/1872 Oldaker A46B 15/0002
15/105
227,773 A * 5/1880 Hartmann A01F 11/06
30/121.5
D73,198 S * 8/1927 Rachlin D8/354

2,832,979 A * 5/1958 Troyer A47L 23/16
15/112
3,028,617 A * 4/1962 Racina A47L 23/22
15/112
D230,719 S * 3/1974 Gouch D12/106
(Continued)

FOREIGN PATENT DOCUMENTS

JP D1091597 * 11/2000
KR 300455294.0000 * 7/2007

OTHER PUBLICATIONS

Amazon.com: TraXion 5-120 Boot Scraper: Automotive, online,
website copyright 2016, <http://www.amazon.com/TraXion-5-120-TraXion-Boot-Scraper/dp/B013SGCPCS>, [site visited Feb. 17,
2016 8:17:11 PM].*

(Continued)

Primary Examiner — John Windmuller
Assistant Examiner — John R Yeh
(74) *Attorney, Agent, or Firm* — Frank D. Lachenmaier;
Lachenmaier Law Firm

(57) **CLAIM**

The ornamental design for a sole scraper, as shown and
described in the attached drawings.

DESCRIPTION

FIG. 1 is a front view of sole scraper.
FIG. 2 is a left side view thereof with the latch shown in an
open position.
FIG. 3 is a left side view showing the latch in a closed
position.
FIG. 4 is a right side view thereof where cutting planes **5-5**
and **6-6** are shown.
FIG. 5 is a partial view taken on plane **5-5** of the right side
in an enlarged view to clarify the design.
FIG. 6 is a partial view taken on plane **6-6** of the right side
in an enlarged view to clarify the design; and,

(Continued)

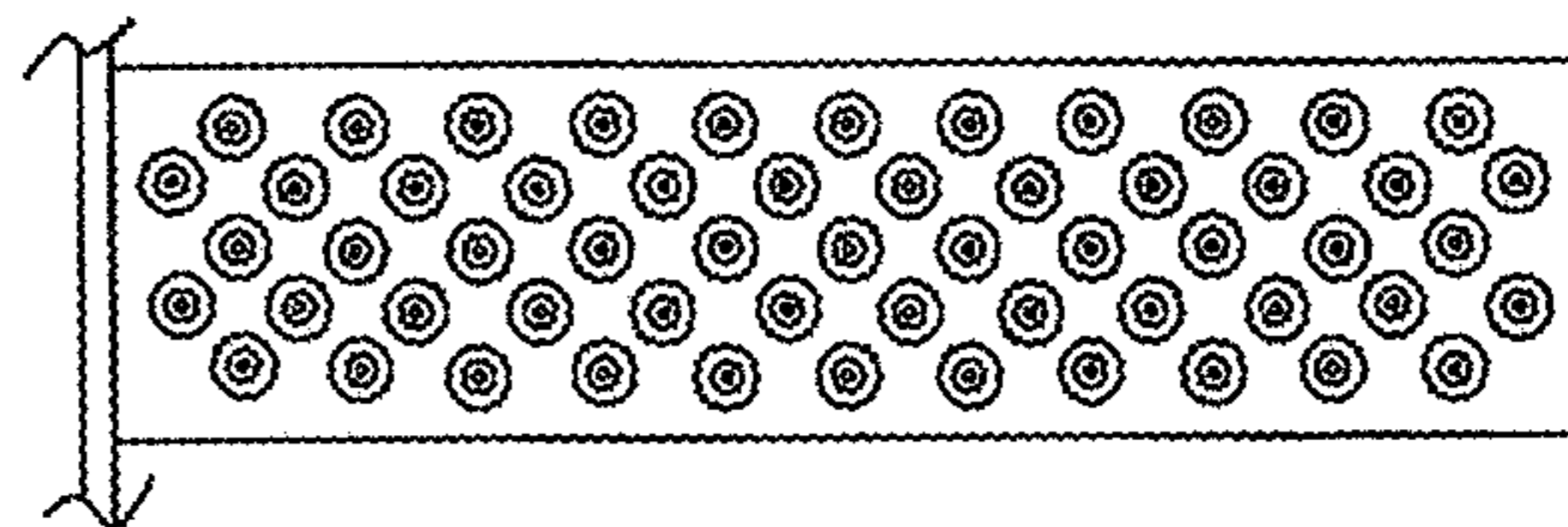
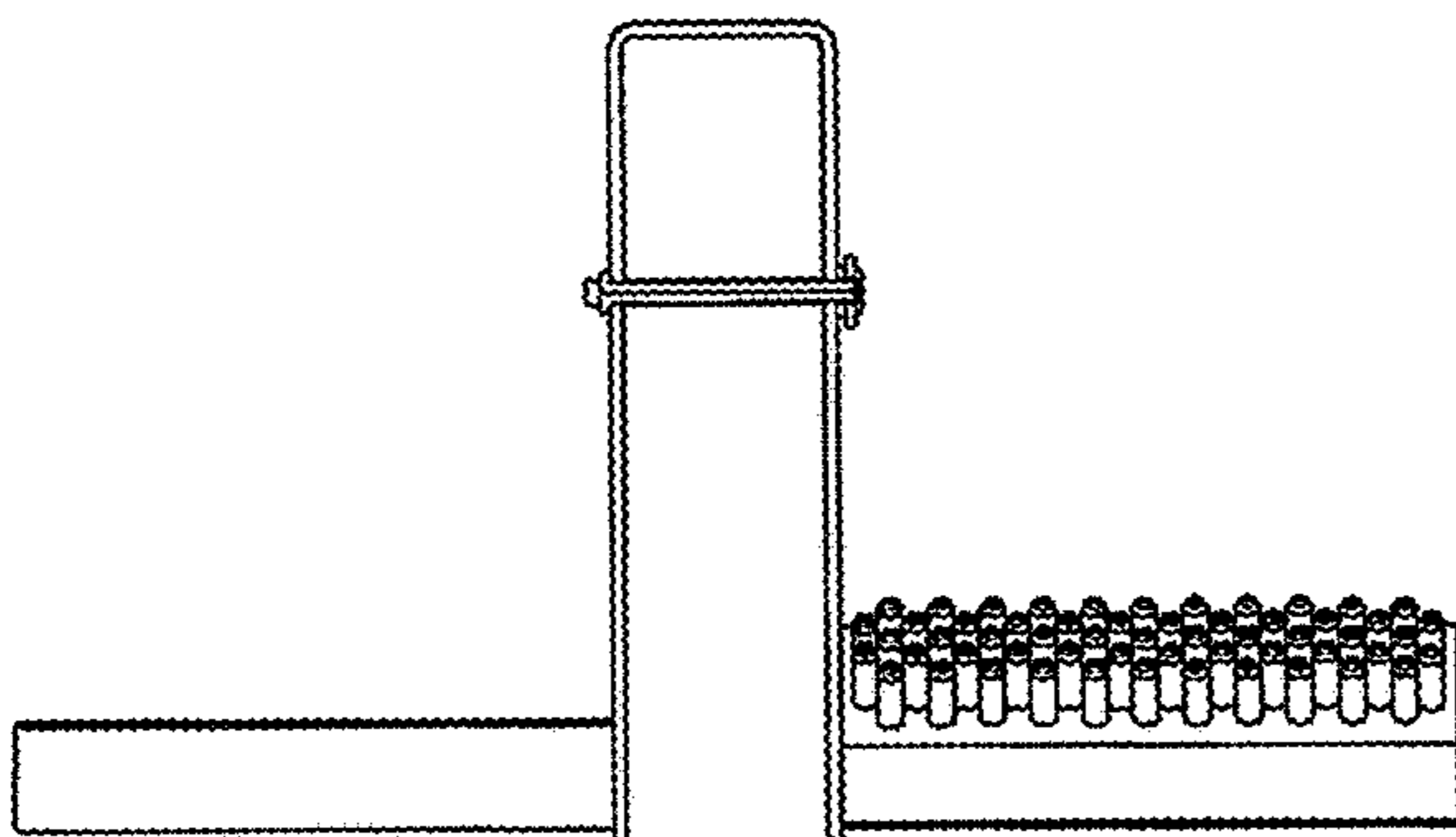


FIG. 7 is a perspective view of sole scraper installed on a trailer hitch. The trailer hitch is shown in broken lines as it represents no part of sole scraper design.

1 Claim, 3 Drawing Sheets

(56)

References Cited

U.S. PATENT DOCUMENTS

4,047,629 A * 9/1977 Klein B62D 43/002
224/42.21
D285,411 S * 9/1986 Mahoney D8/354
D324,019 S * 2/1992 Bailey D12/203
5,123,305 A * 6/1992 Williams B25B 13/50
81/177.1
5,232,404 A * 8/1993 Felstehausen A01F 11/06
460/48
D339,919 S * 10/1993 Cox D32/47
5,345,641 A * 9/1994 Webster
D356,892 S * 4/1995 Ricci D4/116
D363,378 S * 10/1995 Fredricks D28/63
5,479,674 A * 1/1996 Gilcrest A63B 57/60
15/160
D370,452 S * 6/1996 Beasley D12/203
D372,569 S * 8/1996 Rook D32/47
D386,858 S * 11/1997 Mandish D32/47
5,839,144 A * 11/1998 Willner
5,950,269 A * 9/1999 Openshaw et al.

6,032,316 A * 3/2000 Peake A46B 7/026
15/161
D422,207 S 4/2000 Mendis
D439,714 S 3/2001 Meshbeshher
D462,490 S 9/2002 Mendis
6,732,397 B2 * 5/2004 Thompson A43B 5/001
15/160
6,813,795 B2 11/2004 Graves
7,234,191 B2 * 6/2007 Finley B60R 3/04
15/112
7,363,677 B1 * 4/2008 Owens A46B 5/0033
15/161
2001/0047555 A1 12/2001 Roes
2002/0174499 A1 11/2002 Meshbeshher
2002/0189039 A1 12/2002 Schlem
2003/0172488 A1 9/2003 Jeffries
2004/0019988 A1 2/2004 Graves
2005/0005384 A1 * 1/2005 Finley B60R 3/04
15/161
2005/0115009 A1 * 6/2005 Jackson B60R 3/04
15/161
2005/0115010 A1 6/2005 Jackson
2008/0104782 A1 5/2008 Hughes

OTHER PUBLICATIONS

Boot and shoe cleaning brush with hitch mount kit by BrooksBrush, online, list date Nov. 13, 2015, <https://www.etsy.com/listing/256024222/boot-and-shoe-cleaning-brush-with-hitch>, [site visited Feb. 17, 2016 8:15:41 PM].*

* cited by examiner

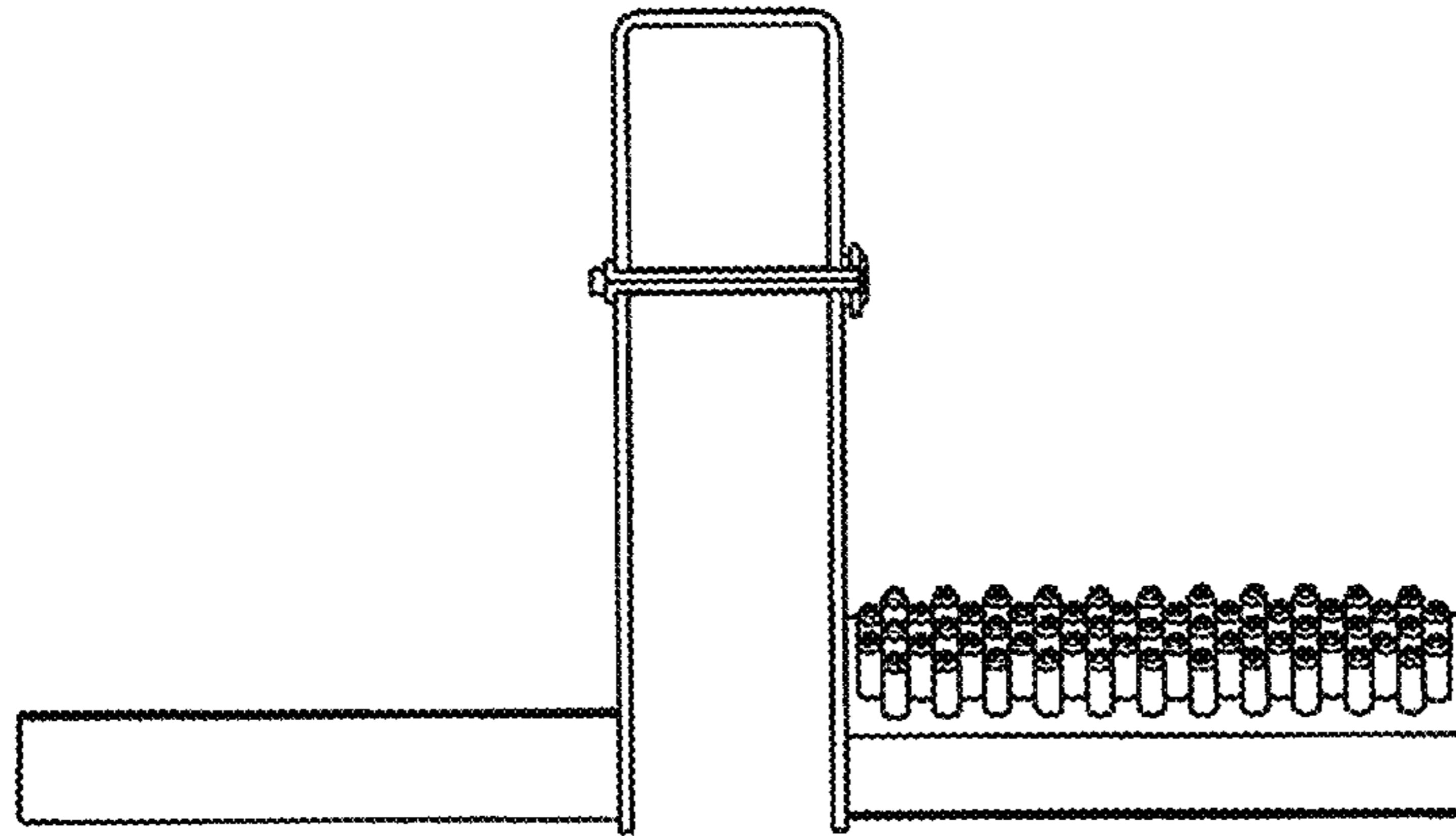


FIG. 1

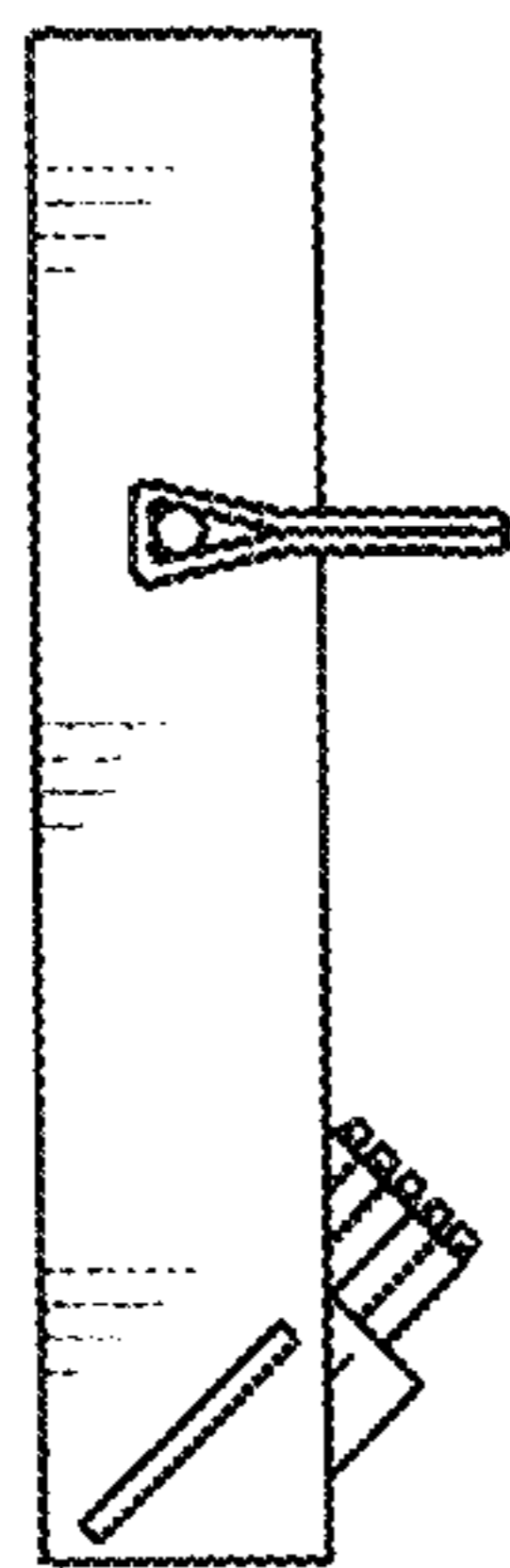


FIG. 2

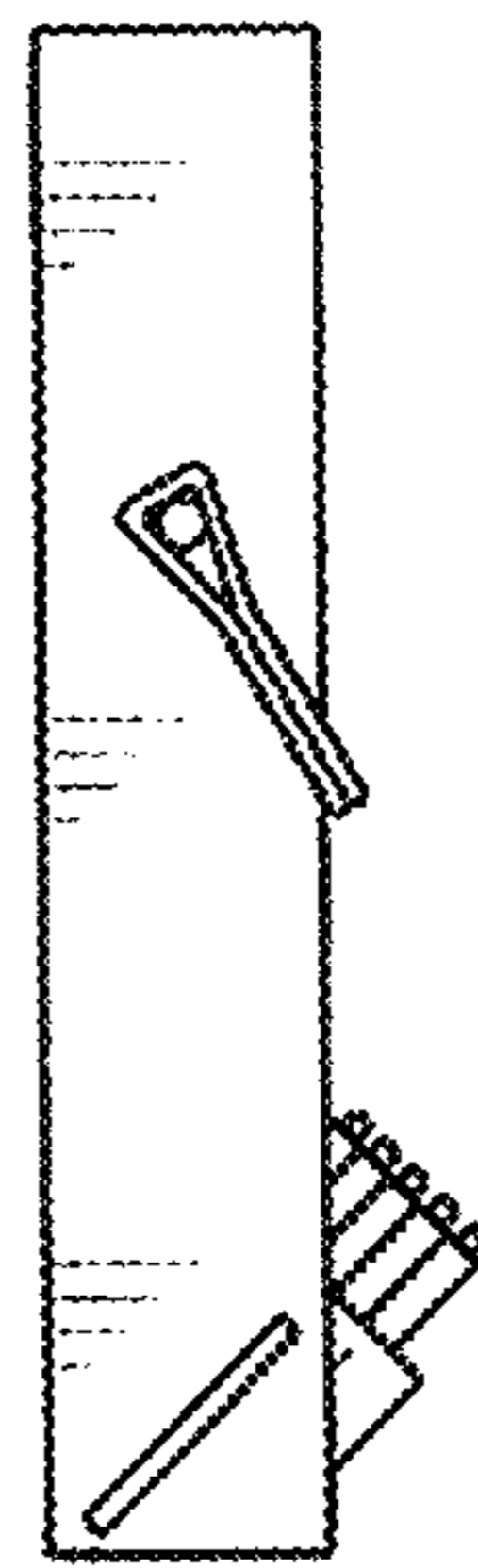


FIG. 3

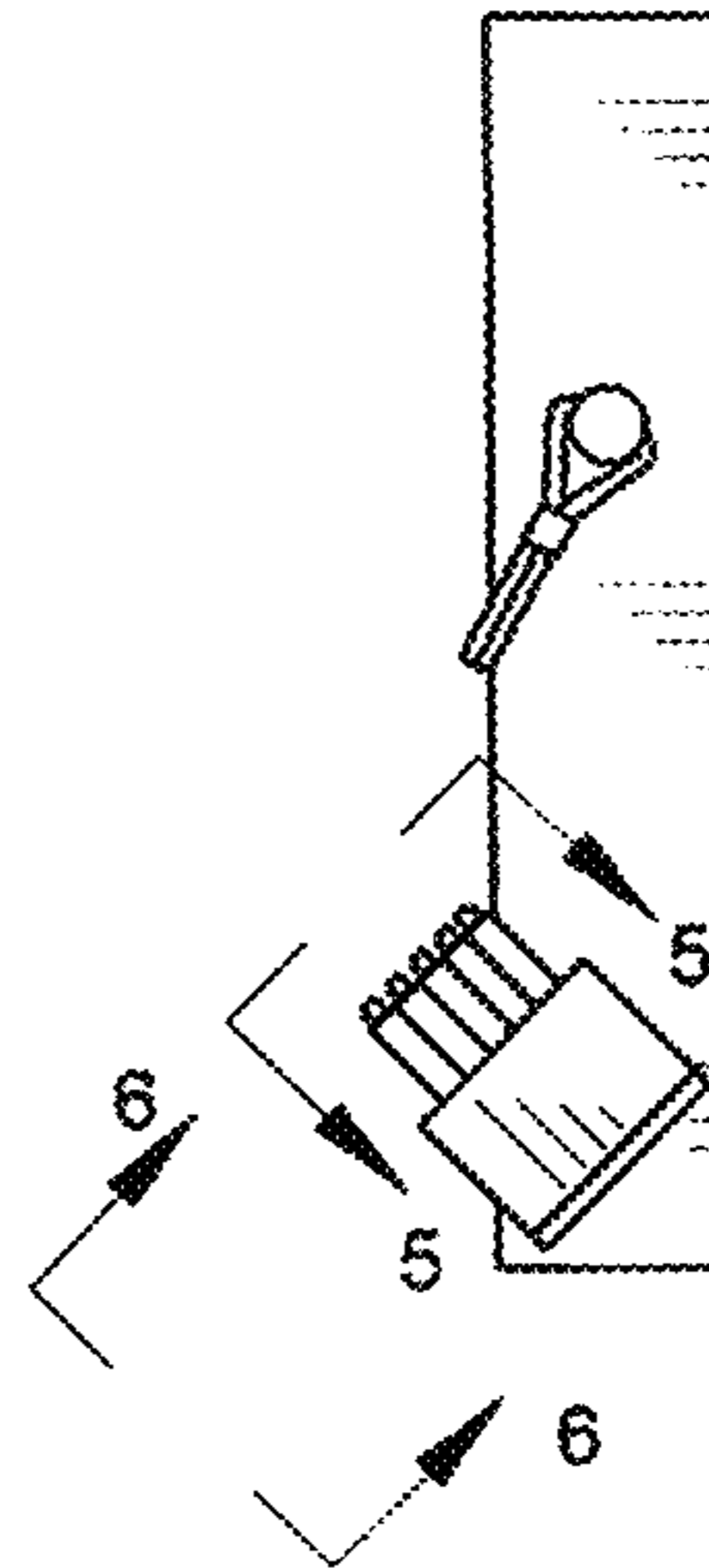


FIG. 4

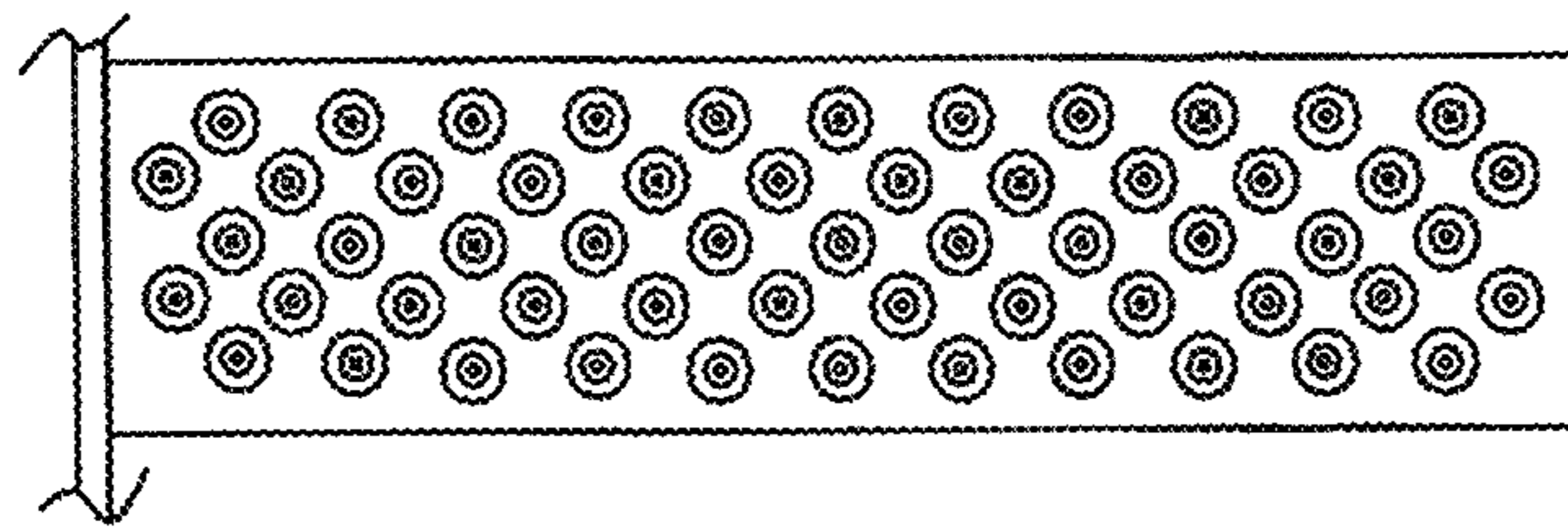


FIG. 5

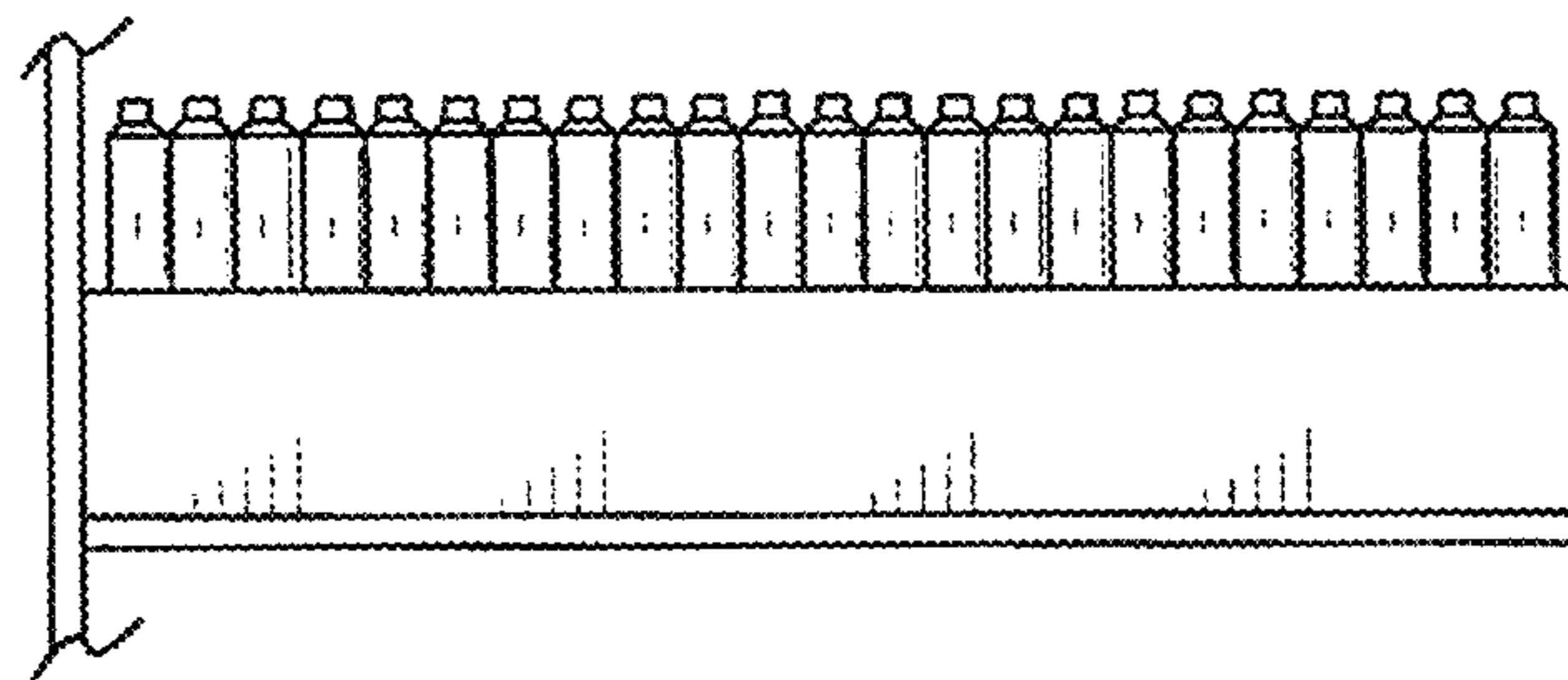


FIG. 6

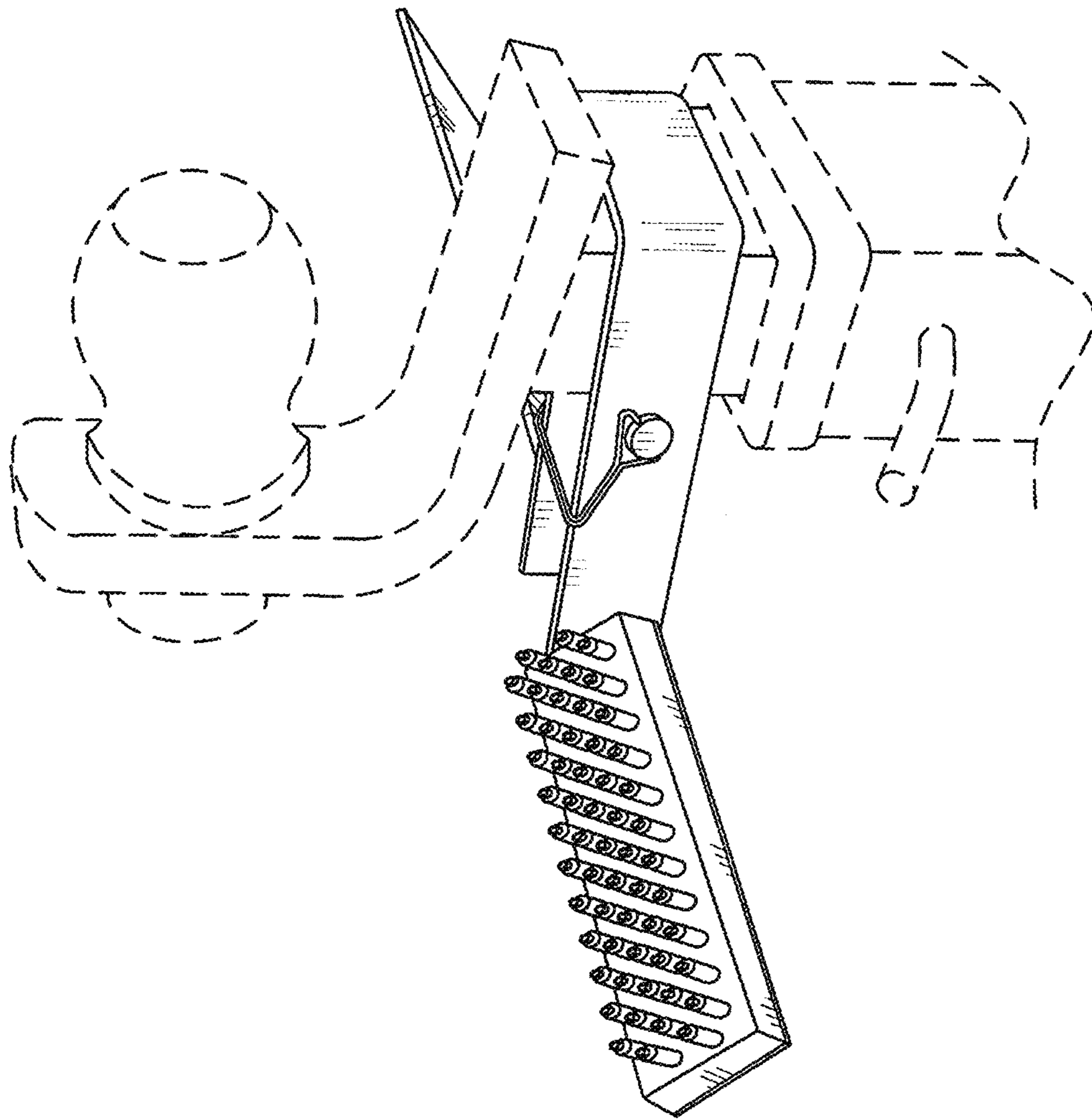


FIG. 7