



US00D783914S

(12) **United States Design Patent**
Supthut

(10) **Patent No.:** **US D783,914 S**

(45) **Date of Patent:** **** Apr. 11, 2017**

(54) **CLEANING DEVICE WITH NAME PLATE**
(71) Applicant: **Karlhans-Lehmann KG**, Neustrelitz (DE)
(72) Inventor: **Hanns J. Supthut**, Quickborn (DE)
(73) Assignee: **KARLHANS-LEHMANN KG**, Neustrelitz (DE)

Primary Examiner — John Windmuller
Assistant Examiner — John R Yeh
(74) *Attorney, Agent, or Firm* — Ware, Fressola, Maguire & Barber LLP

(**) Term: **14 Years**

(57) **CLAIM**

The ornamental design for a cleaning device with name plate, as shown and described.

(21) Appl. No.: **29/507,616**

(22) Filed: **Oct. 29, 2014**

(51) **LOC (10) Cl.** **04-01**

(52) **U.S. Cl.**
USPC **D32/41**

(58) **Field of Classification Search**
USPC D8/33, 47, 90, 394–395; D32/40–42,
D32/46–49; D21/369, 377;
D24/146–147

(Continued)

DESCRIPTION

FIG. 1 is a top perspective view for the name plate of the cleaning device;
FIG. 2 is a bottom perspective view thereof;
FIG. 3 is a top view thereof;
FIG. 4 is a right side view, with the left side being a mirror image thereof;
FIG. 5 is a front view, with the rear being a mirror image thereof;
FIG. 6 is a top view of the cleaning device with the name plate removed;
FIG. 7 is a right side perspective view thereof;
FIG. 8 is a bottom view thereof;
FIG. 9 is a front view thereof;
FIG. 10 is a rear view thereof;
FIG. 11 is an enlarged top perspective view of the slot in the cleaning device which receives the name plate;
FIG. 12 is a top view of the cleaning device with name plate;
FIG. 13 is a right side perspective view thereof;
FIG. 14 is a bottom view thereof;
FIG. 15 is a front view thereof; and,
FIG. 16 is a rear view thereof.
The broken lines represent portions of the cleaning device that form no part of the claimed design.

(56) **References Cited**

U.S. PATENT DOCUMENTS

D109,603 S * 5/1938 Butt 15/112
2,621,402 A * 12/1952 Gutekunst B67B 7/24
30/446

(Continued)

FOREIGN PATENT DOCUMENTS

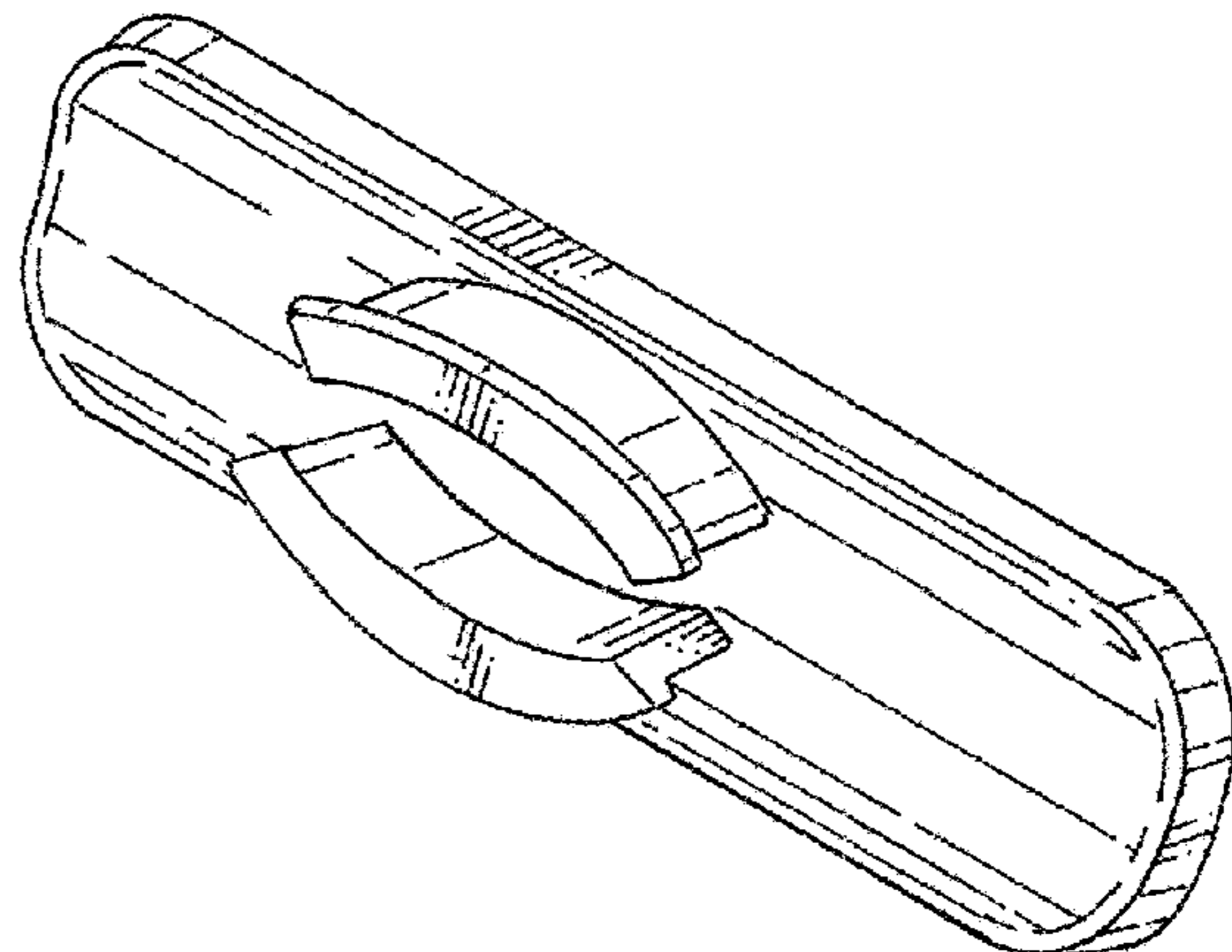
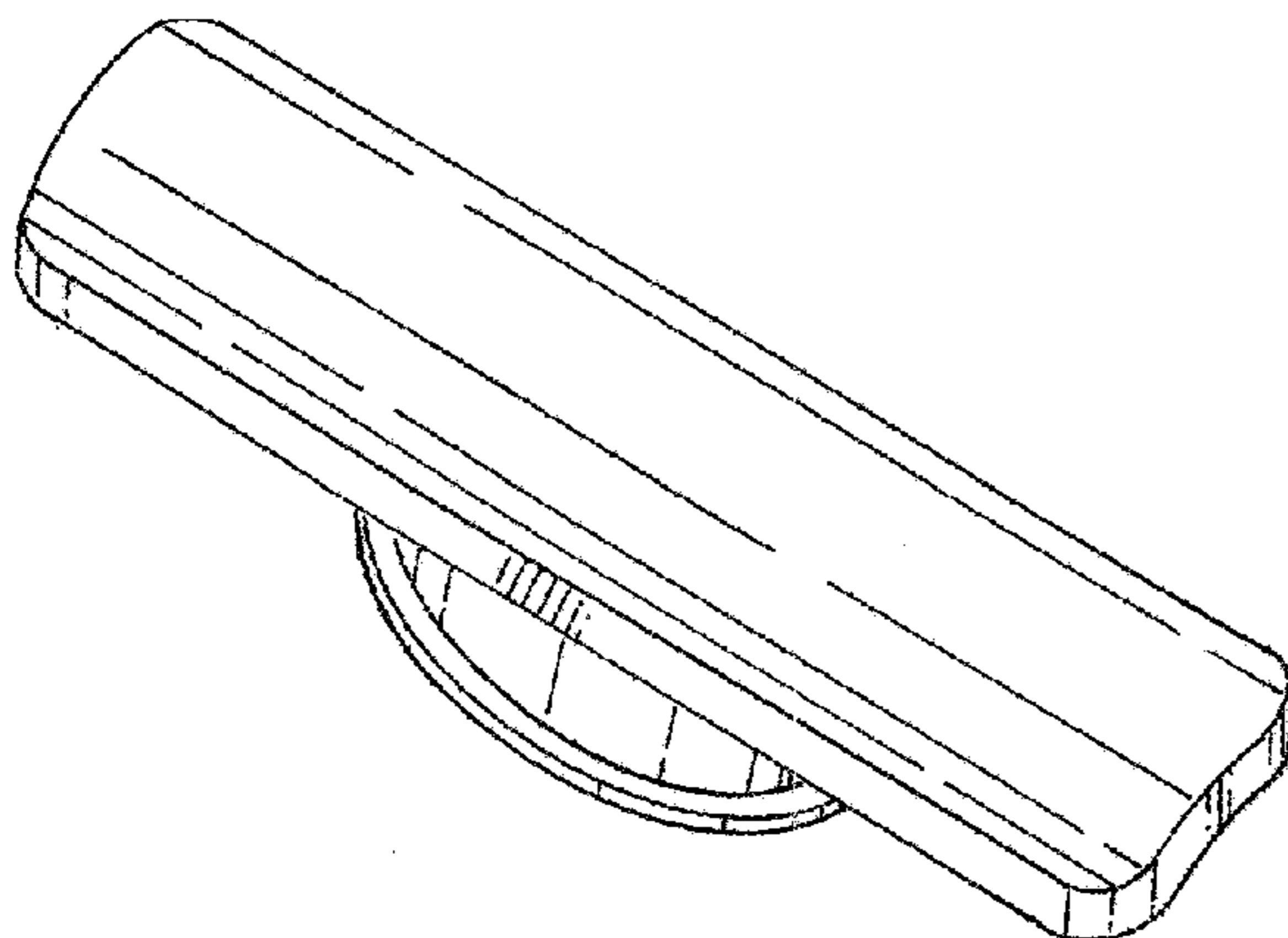
KR 300549887.0000 * 1/2010

OTHER PUBLICATIONS

Lehmann KG—Vehicle cleaning, no date, <http://www.lehmann-kg.com/en/fields-of-application/vehicle-cleaning>, [site visited Jul. 6, 2016 10:14:38 PM].*

(Continued)

1 Claim, 6 Drawing Sheets



(58) **Field of Classification Search**
 CPC . B27M 3/22; B44D 3/16; B44D 3/162; A47L
 13/02; A47L 13/08; A63C 11/22
 See application file for complete search history.

(56) **References Cited**

U.S. PATENT DOCUMENTS

3,178,747	A *	4/1965	Peterson	A47L 17/06 15/143.1
3,274,684	A *	9/1966	Marks	E01H 5/02 15/105
D282,881	S *	3/1986	Gringer	D32/48
4,613,446	A *	9/1986	Magyar	C11D 17/049 15/104.93
5,123,305	A *	6/1992	Williams	B25B 13/50 81/177.1
5,156,418	A *	10/1992	Kelly	A63C 11/18 280/813
D356,408	S *	3/1995	Adolf	D28/63
5,462,212	A *	10/1995	Hertel, Jr.	B60R 7/08 206/86

5,464,181	A *	11/1995	Leventhal	A47L 13/512 211/89.01
D412,343	S *	7/1999	Offenhauer	D19/65
D463,639	S *	9/2002	Panfli	D32/48
D473,988	S *	4/2003	Miller	D32/46
D479,376	S *	9/2003	Hsu	D32/49
D594,623	S *	6/2009	Felton	D34/35
D637,877	S *	5/2011	Elkins	D8/44
D706,498	S *	6/2014	Aulwes	D30/158
D715,009	S *	10/2014	Curien	D32/41
D730,165	S *	5/2015	Refior	D8/349
2013/0230349	A1 *	9/2013	Dontfraid	A47K 1/09 401/123

OTHER PUBLICATIONS

Amazon.com: Whirlpool WA906B Razor Scraper, review date Jan. 28, 2010, https://www.amazon.com/Whirlpool-WA906B-Razor-Scraper/dp/B00ECV67ZK/ref=sr_1_fkmr1_3?ie=UTF8&qid=1467857107&sr=8-3-fkmr1&keywords=scraper+name+tag, [site visited Jul. 6, 2016 10:06:49 PM].*

* cited by examiner

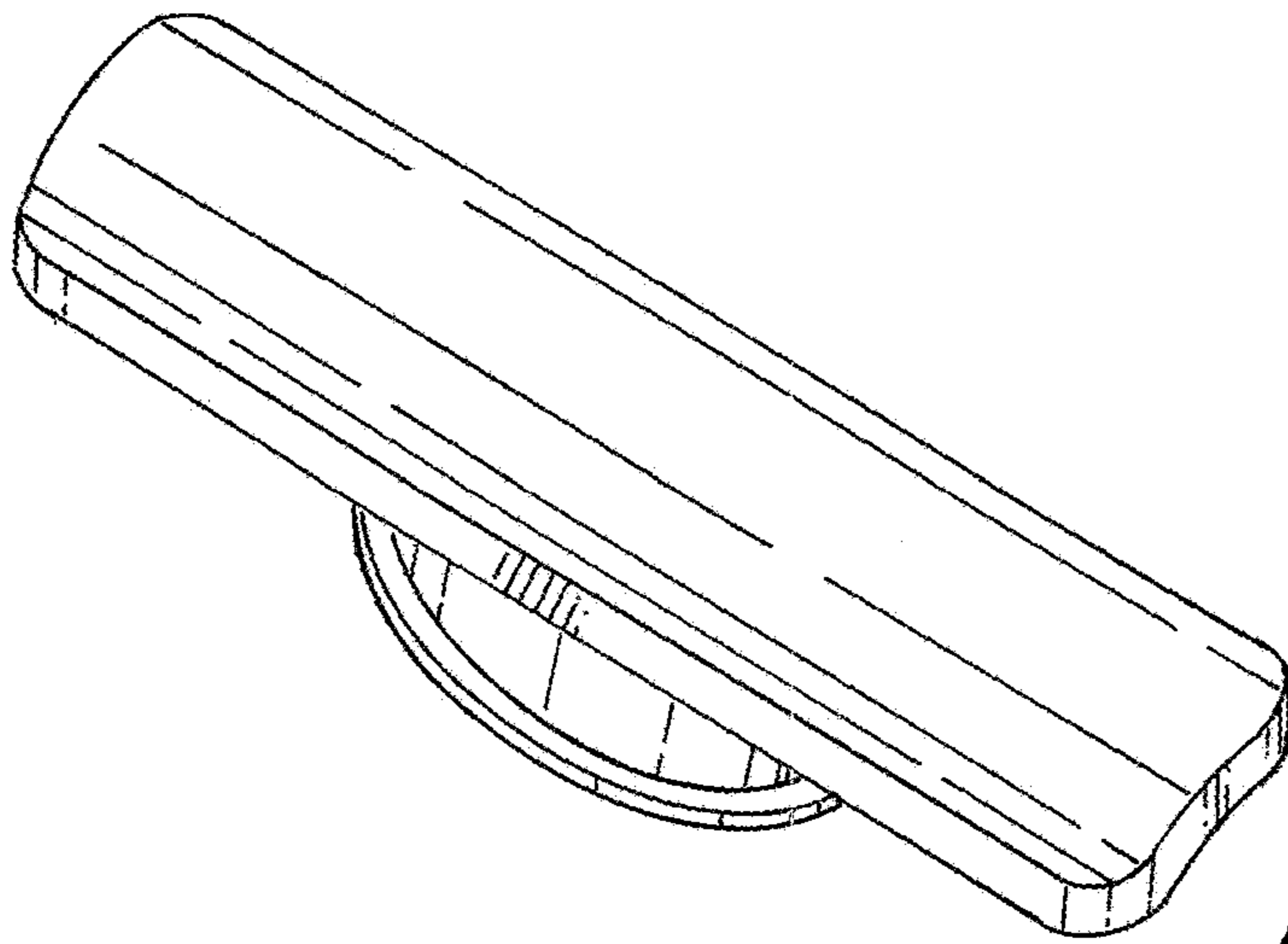


FIG. 1

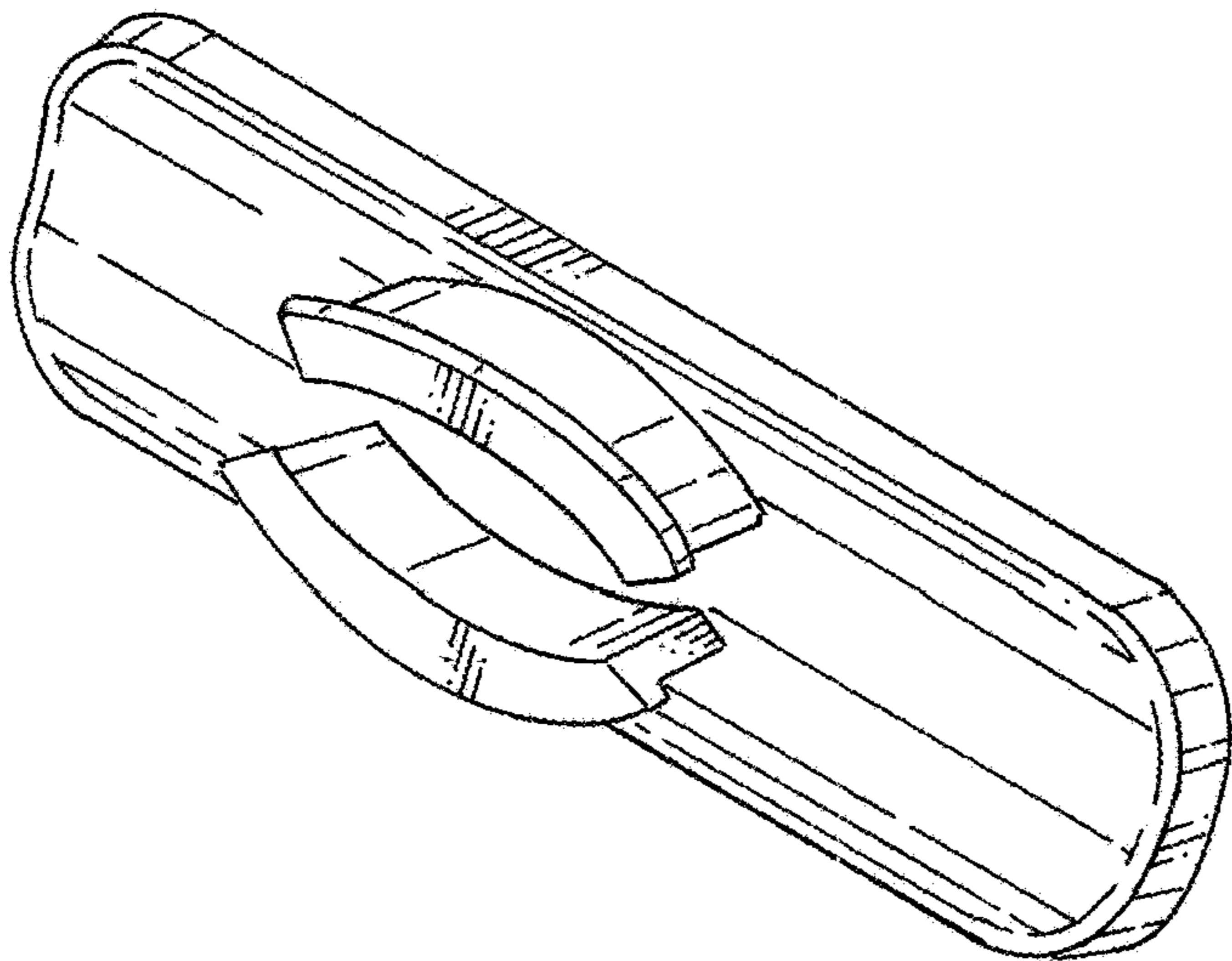


FIG. 2

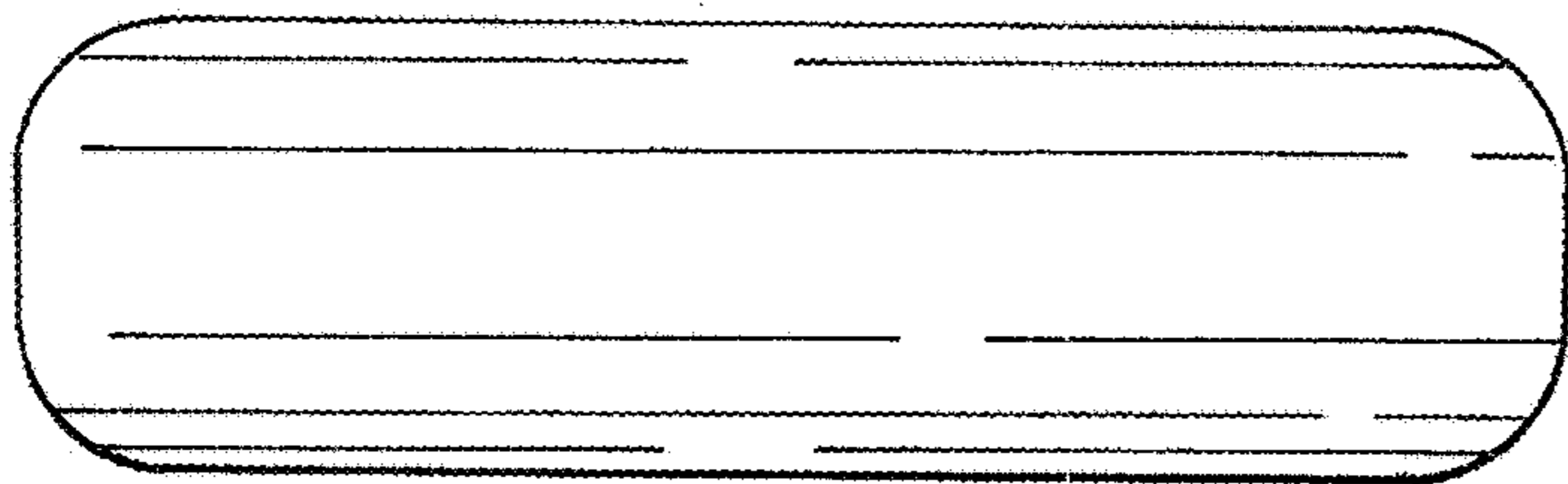


FIG. 3

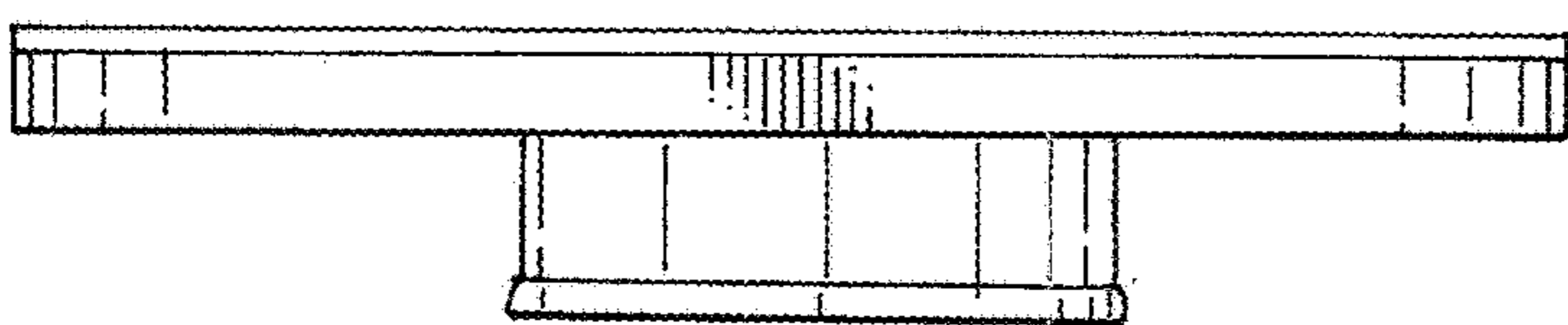


FIG. 4

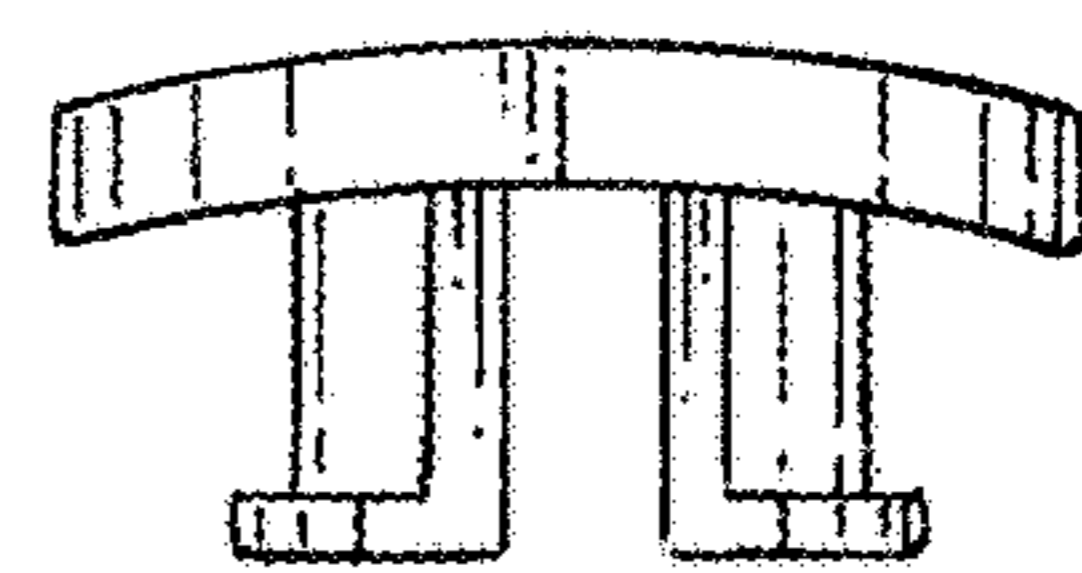


FIG. 5

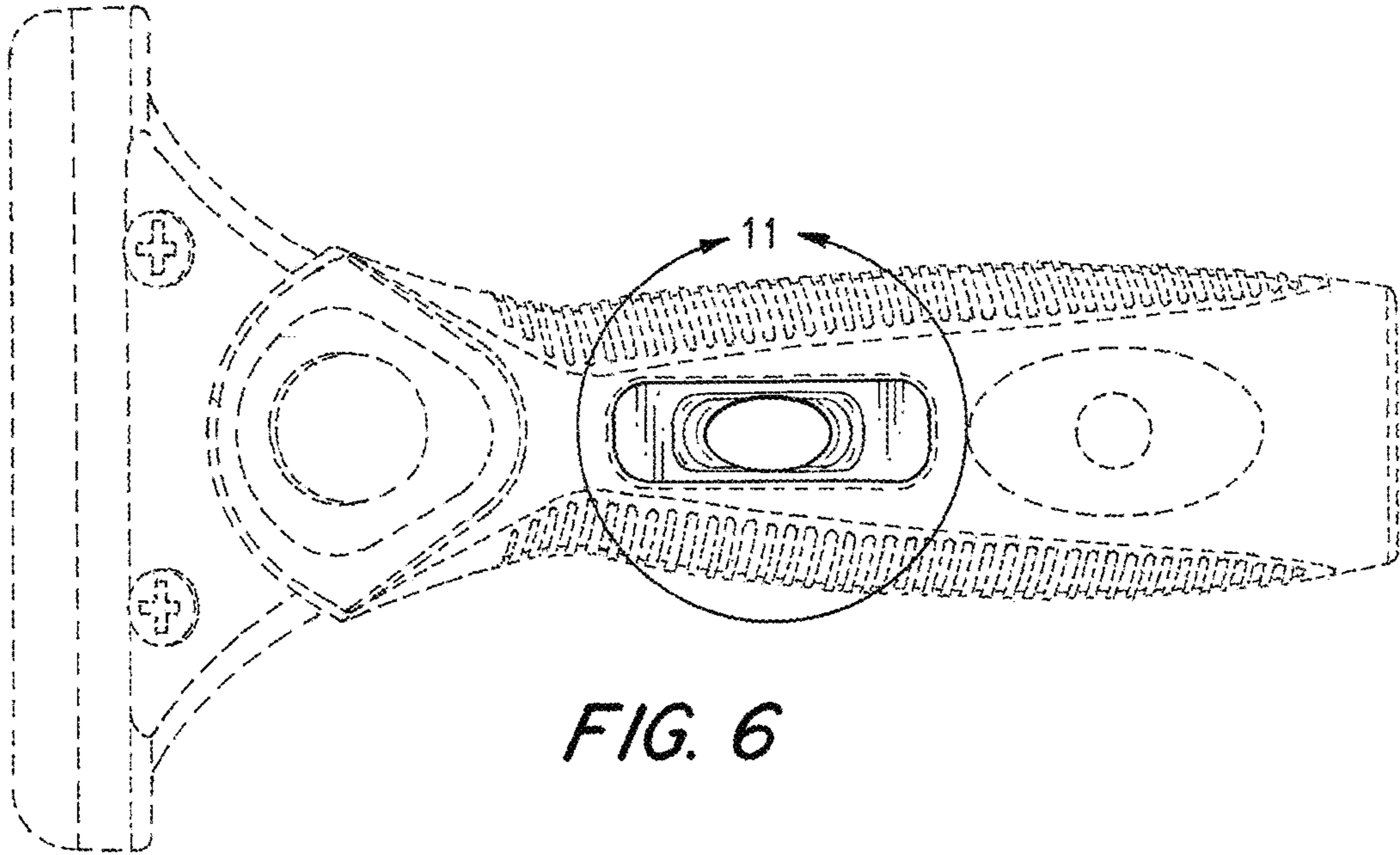


FIG. 6

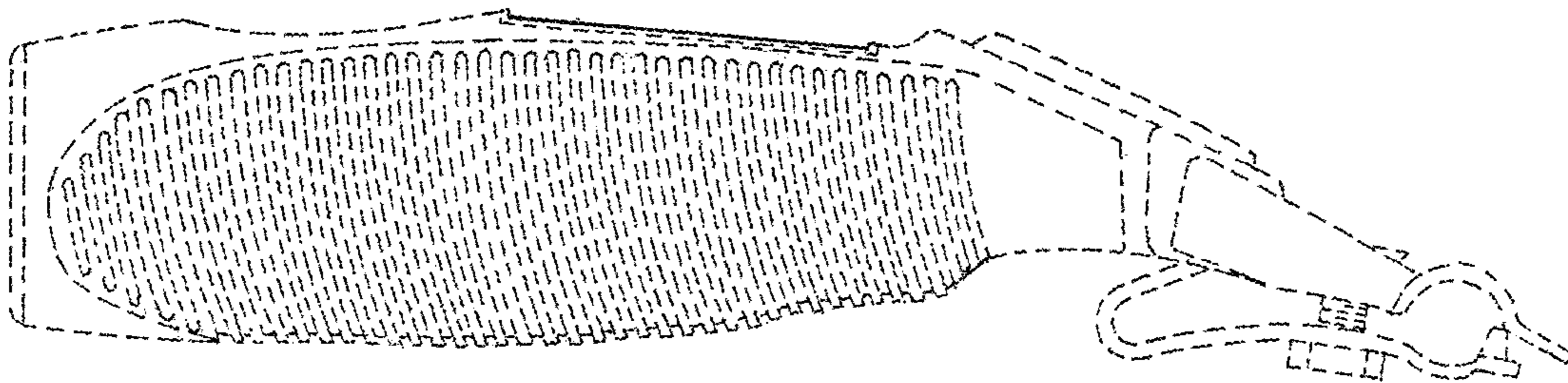


FIG. 7

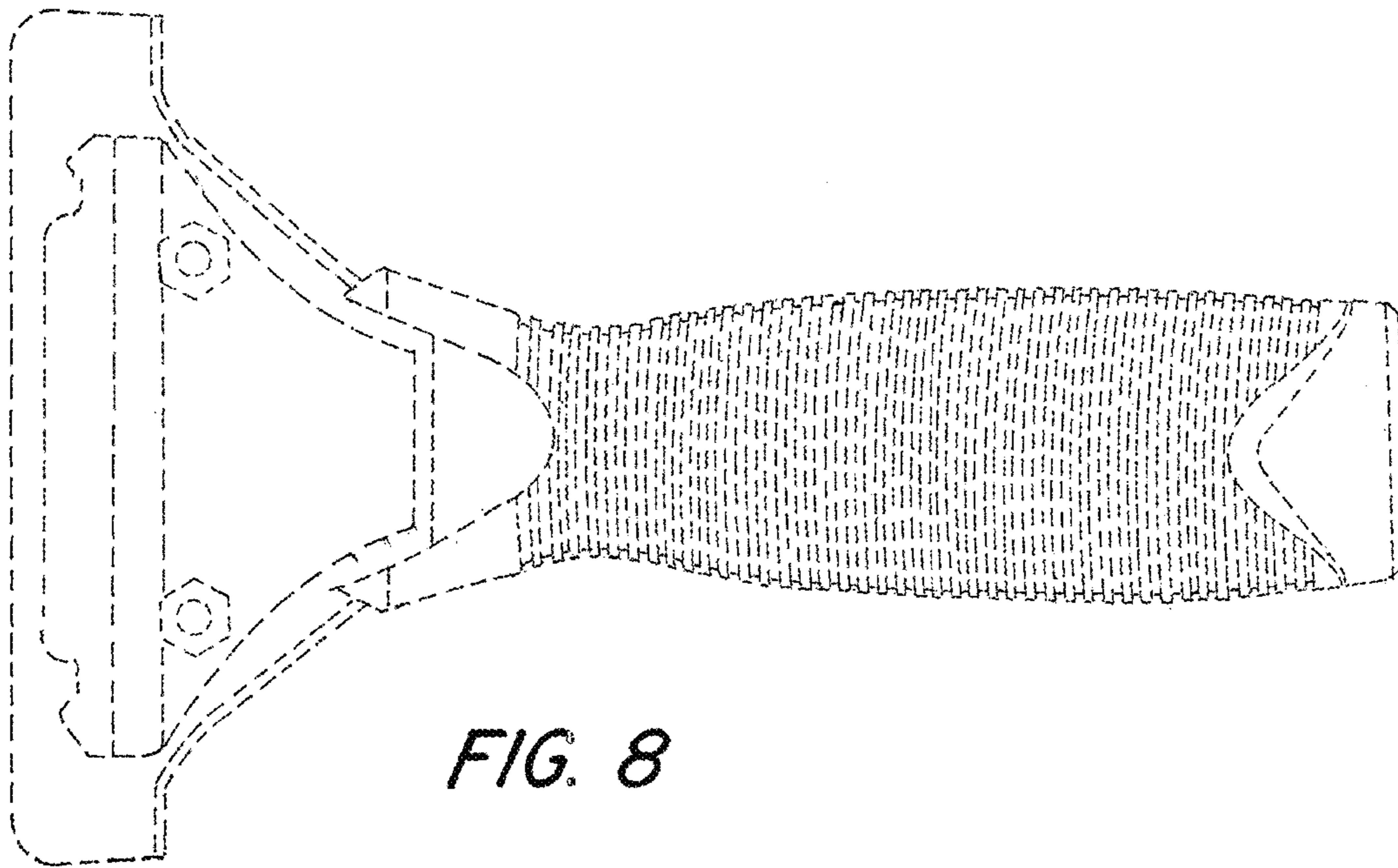


FIG. 8

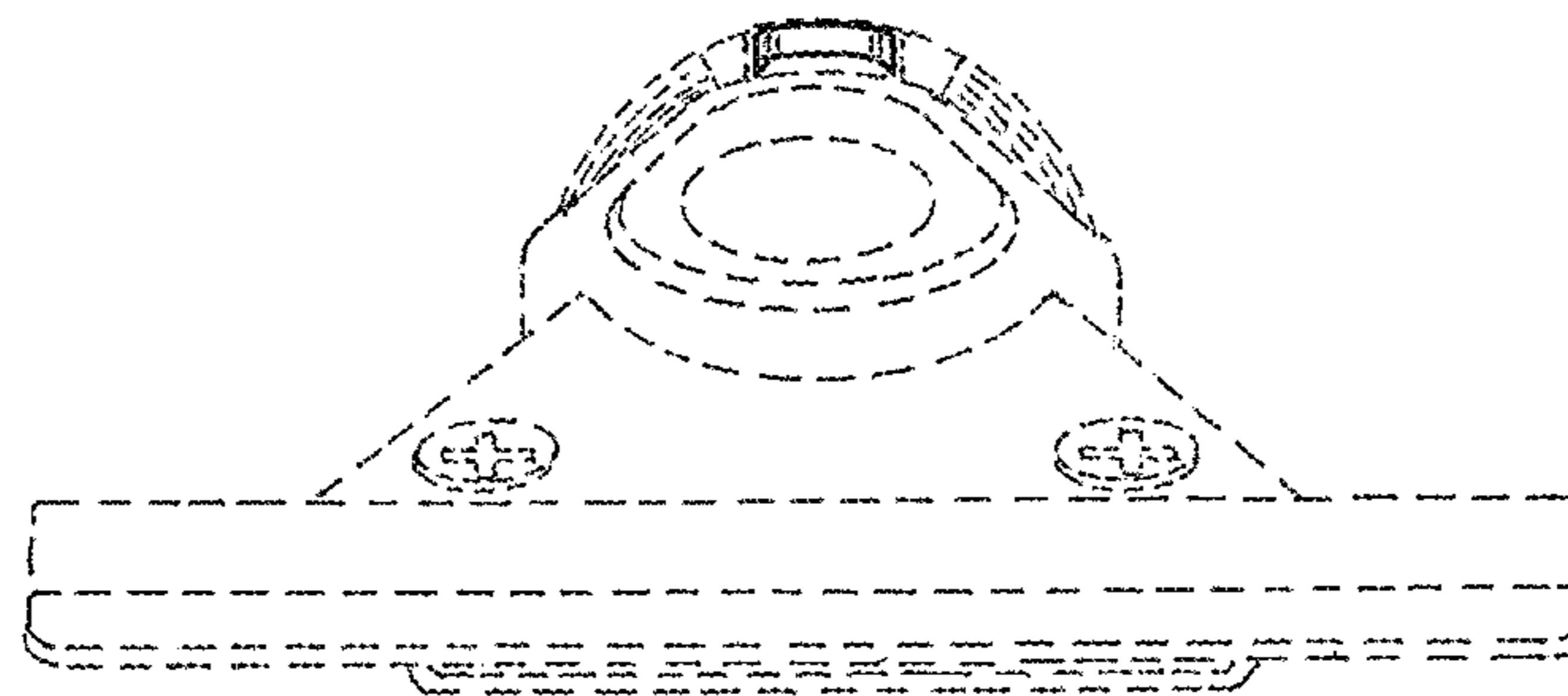


FIG. 9

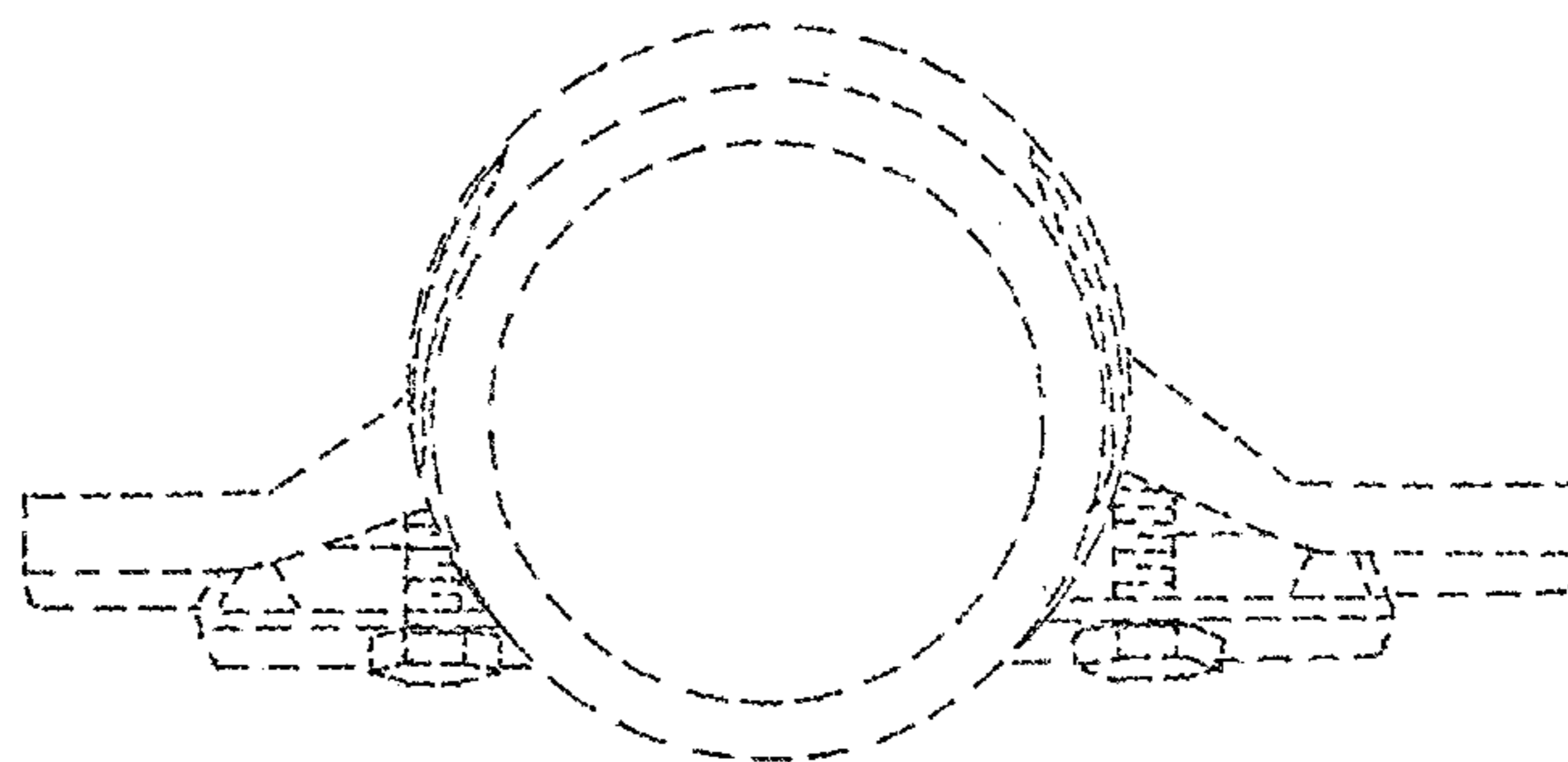


FIG. 10

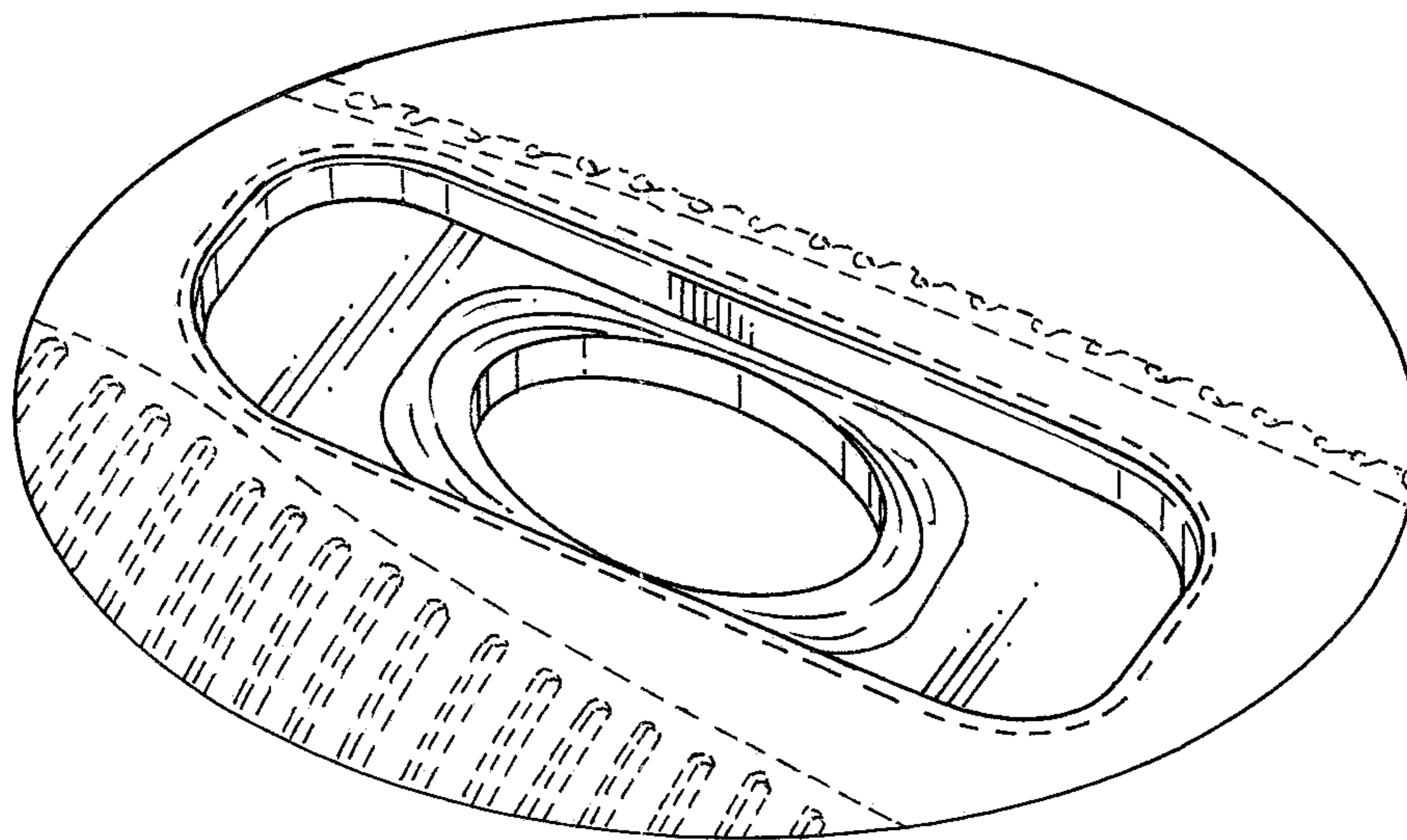


FIG. 11

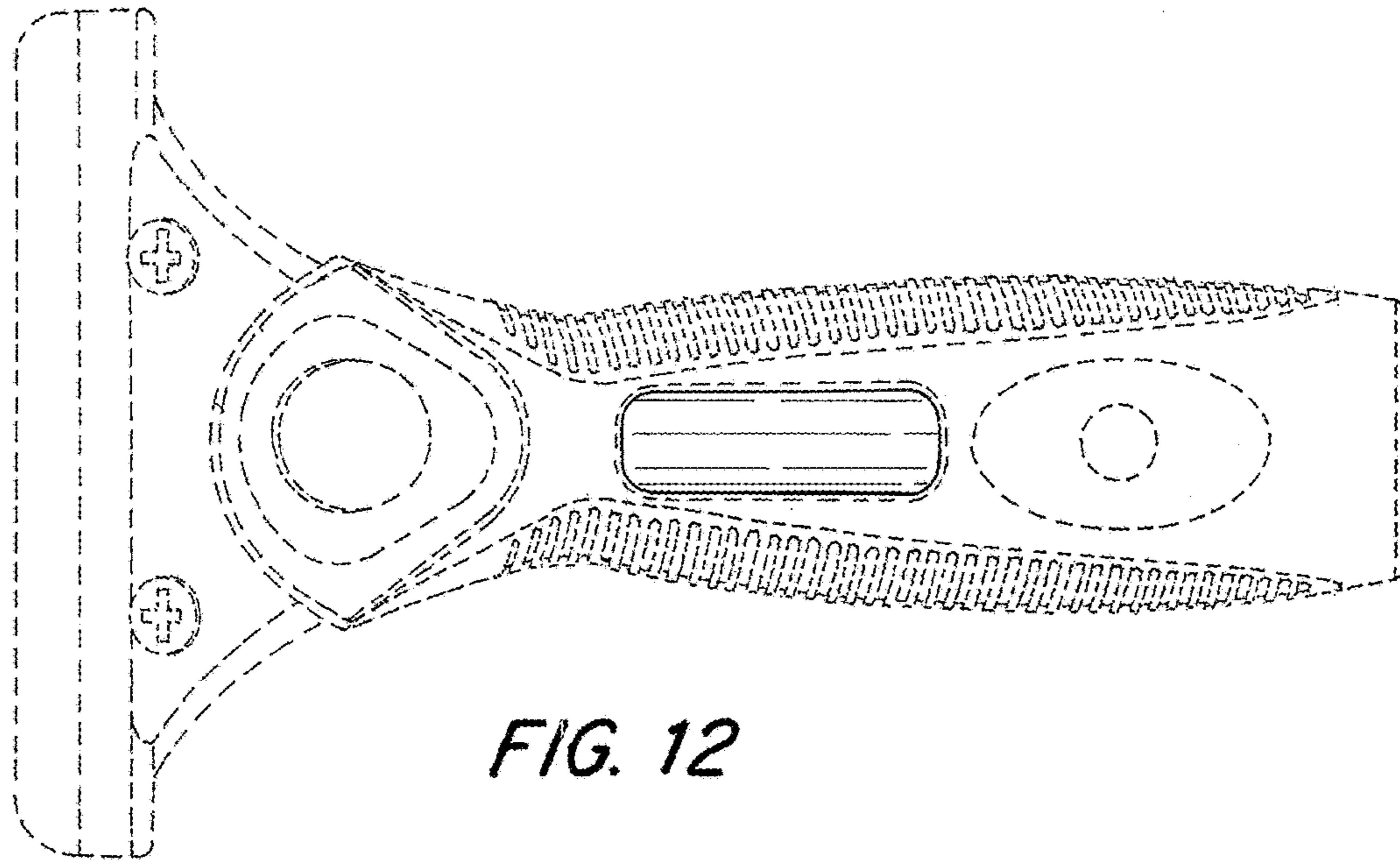


FIG. 12

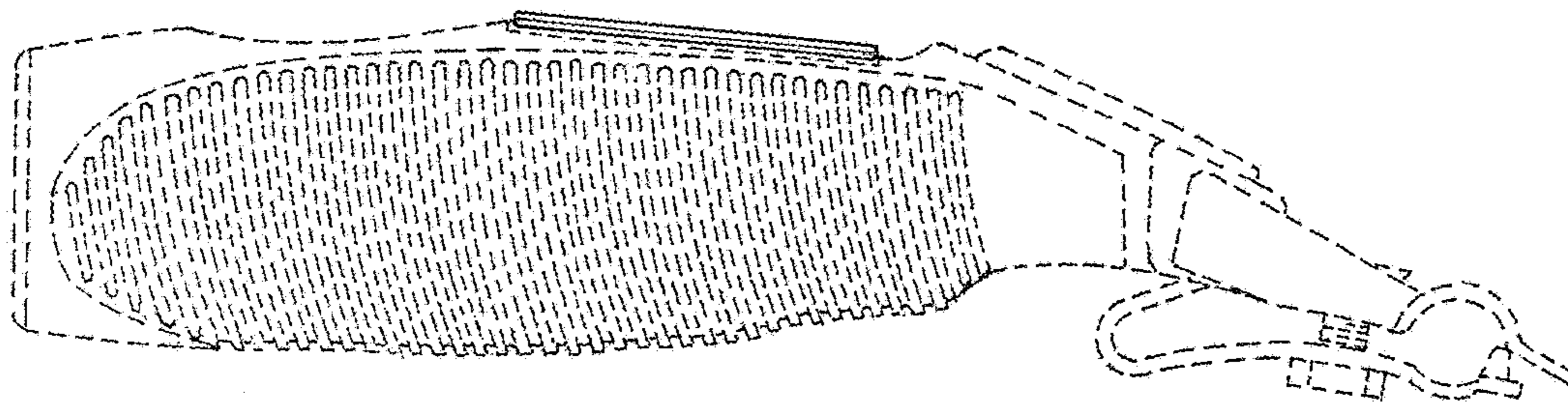


FIG. 13

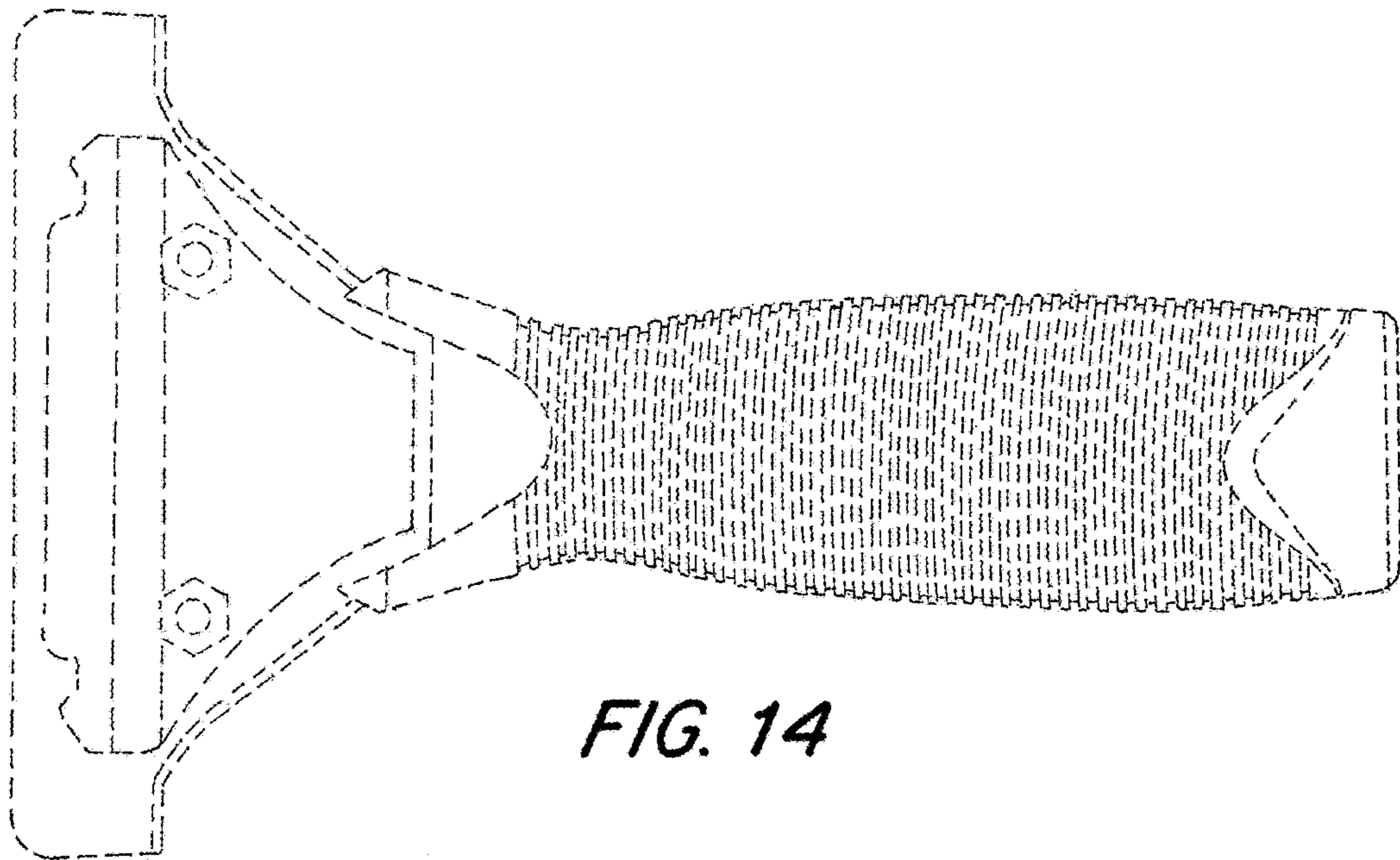


FIG. 14

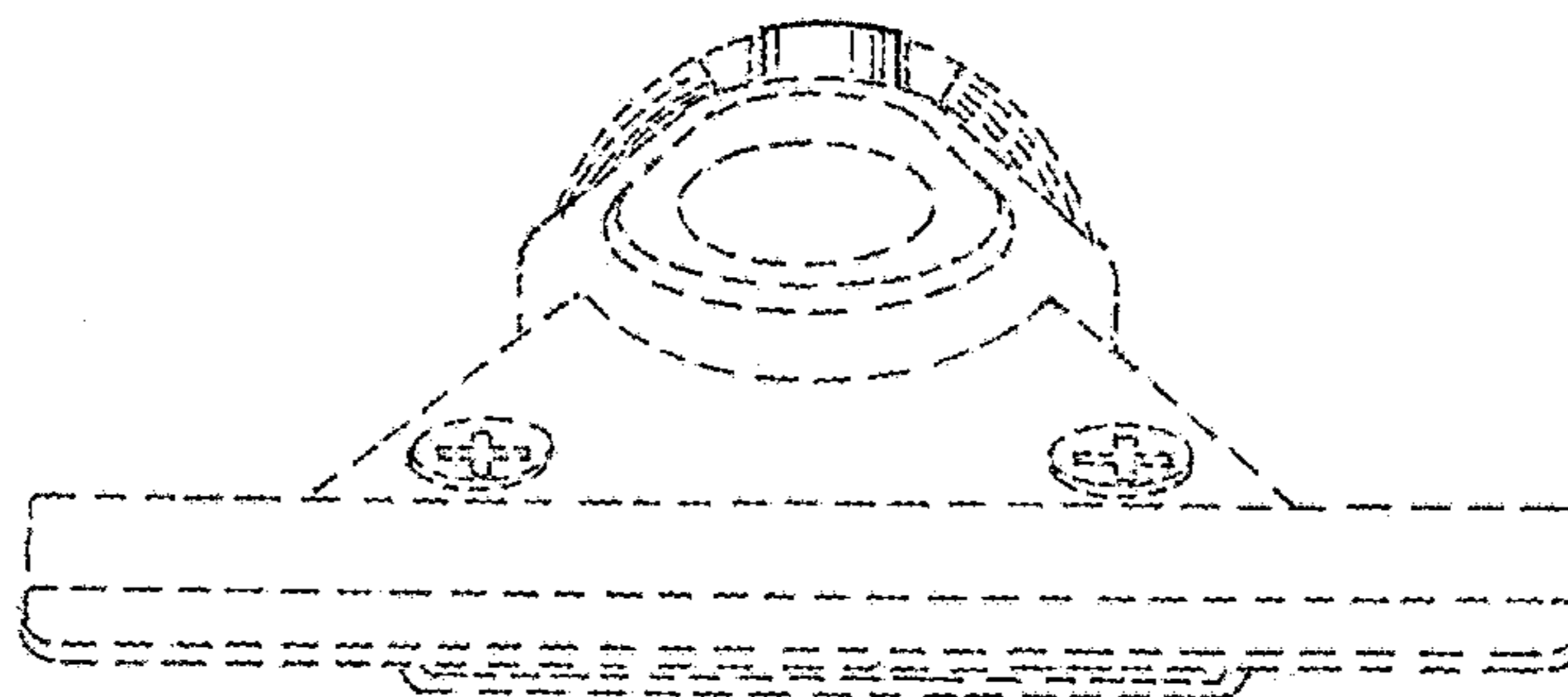


FIG. 15

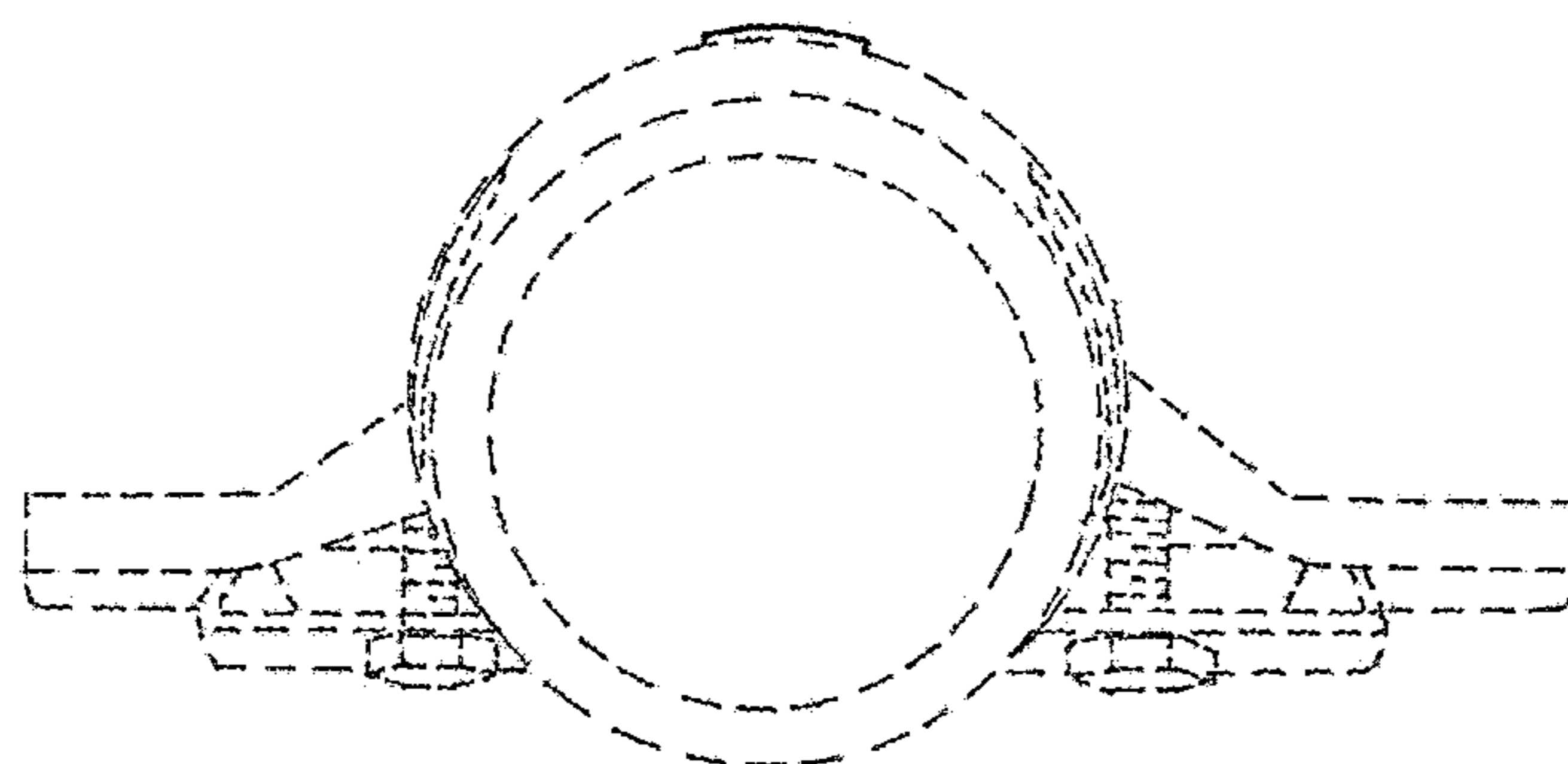


FIG. 16