



US00D783913S

(12) **United States Design Patent**
Maitland et al.

(10) **Patent No.:** **US D783,913 S**
(45) **Date of Patent:** **** Apr. 11, 2017**

(54) **SPONGE CLEANING AND DISINFECTING DEVICE**

D406,680 S * 3/1999 Hakker D32/35
D456,575 S * 4/2002 Celia D28/63
7,892,485 B1 2/2011 Flannery et al.
D671,281 S * 11/2012 Singer D30/158

(71) Applicant: **SpongeBath LLC**, New York, NY (US)

* cited by examiner

(72) Inventors: **Tod Maitland**, New York, NY (US);
Matthew Flannery, Astoria, NY (US);
Peter Schon, New York, NY (US);
Joseph Logan, Trumbull, CT (US)

Primary Examiner — Susan Bennett Hattan
Assistant Examiner — Rebecca Tsehaye
(74) *Attorney, Agent, or Firm* — Gerry J. Elman; Elman
Technology Law, P.C.

(73) Assignee: **SpongeBath LLC**, New York, NY (US)

(**) Term: **14 Years**

(57) **CLAIM**

(21) Appl. No.: **29/500,556**

The ornamental design for a sponge cleaning and disinfecting device, as shown and described.

(22) Filed: **Aug. 26, 2014**

(51) **LOC (10) Cl.** **08-99**

(52) **U.S. Cl.**
USPC **D32/35**

(58) **Field of Classification Search**
USPC D32/35, 40-44; 34/143, 144, 146;
100/104, 110; D30/158, 159; 15/260,
15/261
CPC F24B 5/11; F24B 5/14; F24B 9/04
See application file for complete search history.

DESCRIPTION

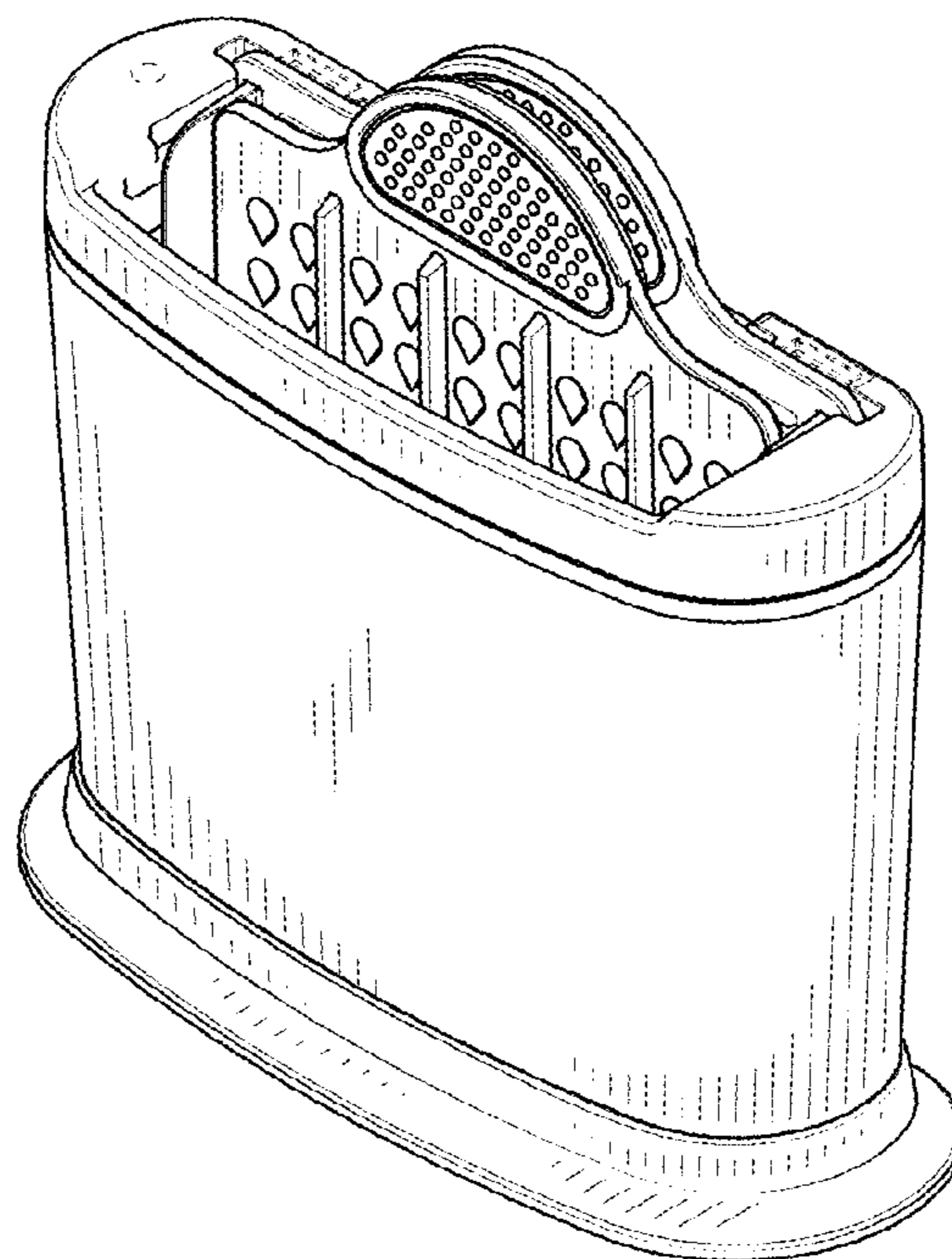
(56) **References Cited**

U.S. PATENT DOCUMENTS

962,603 A * 6/1910 Walker B30B 9/067
100/104
D162,208 S * 2/1951 Miller 15/260
3,276,064 A * 10/1966 Moore A47L 13/51
15/261
D234,115 S * 1/1975 Watson D32/44

FIG. 1 is an isometric view of the sponge cleaning and disinfecting device showing the new design.
FIG. 2 is a front elevation view showing the new design.
FIG. 3 is a rear elevation view showing the new design.
FIG. 4 is a left side elevation view showing the new design.
FIG. 5 is a right side elevation view showing the new design; and,
FIG. 6 is a plan view showing the top of the new design.
The bottom is flat and devoid of surface ornamentation.
The broken lines shown in the drawings represent portions of the sponge cleaning and disinfecting device which form no part of the claimed design.
Apparatus for compressing and immersing a sponge in liquid disinfectant.

1 Claim, 3 Drawing Sheets



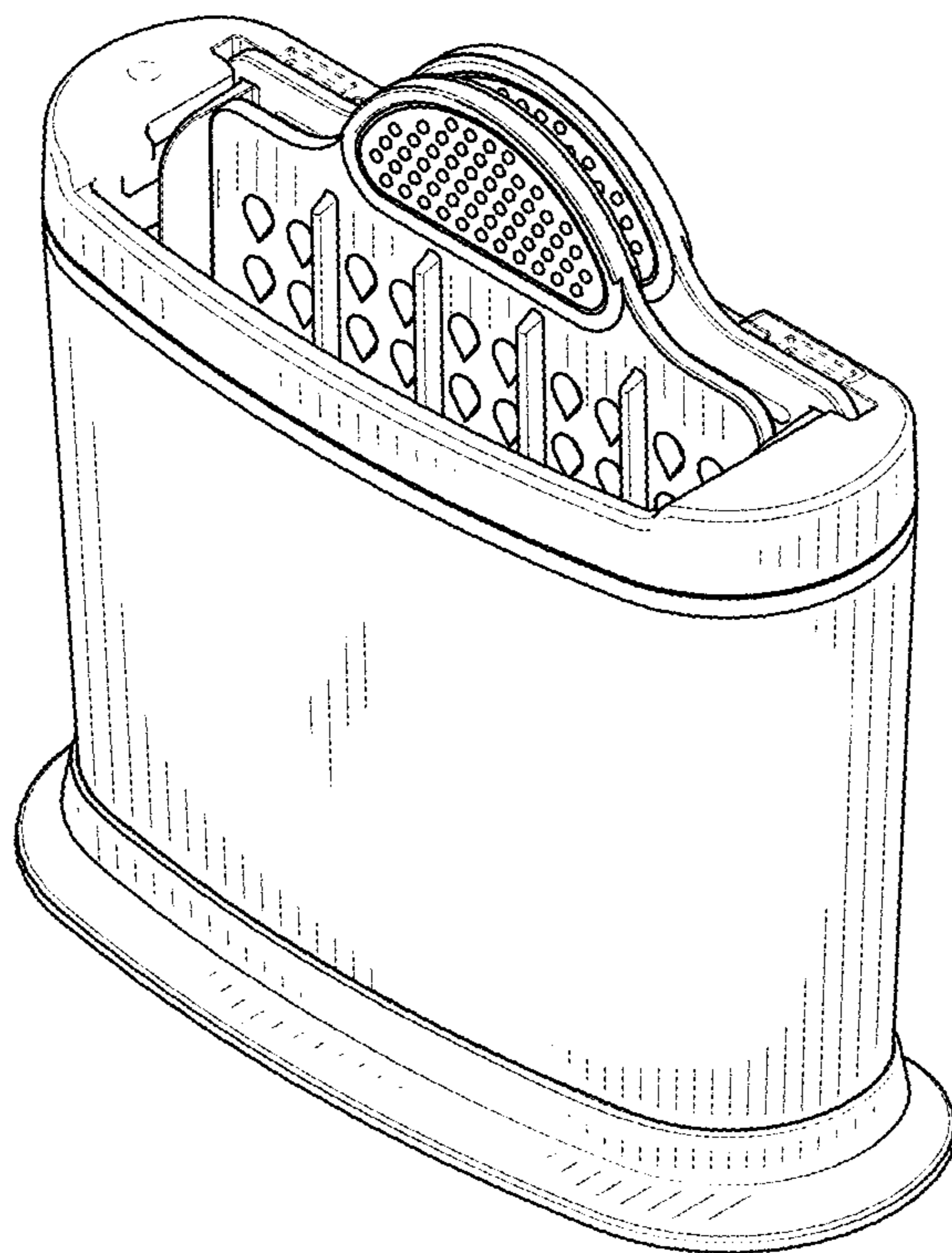


FIG. 1

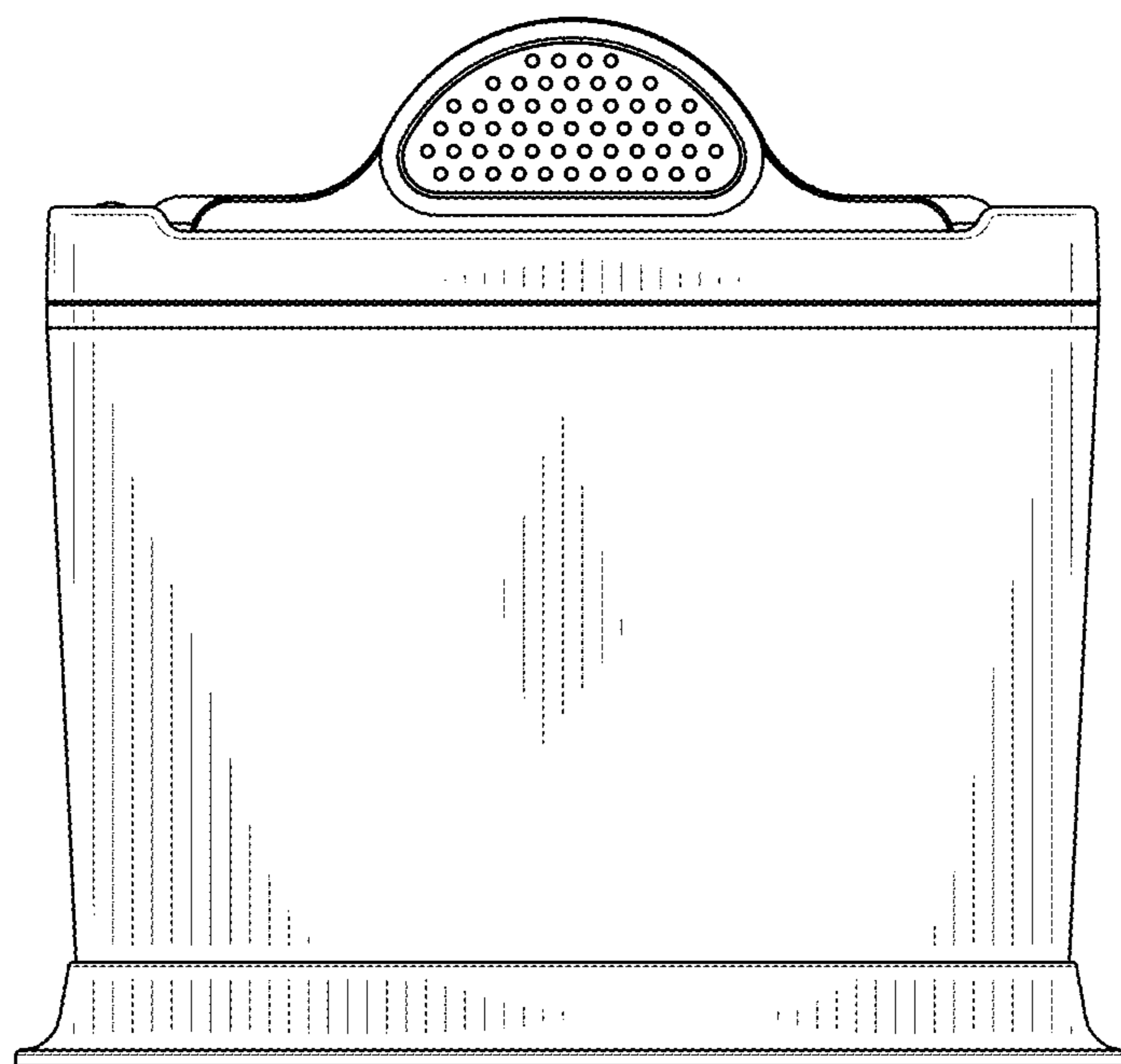


FIG. 2

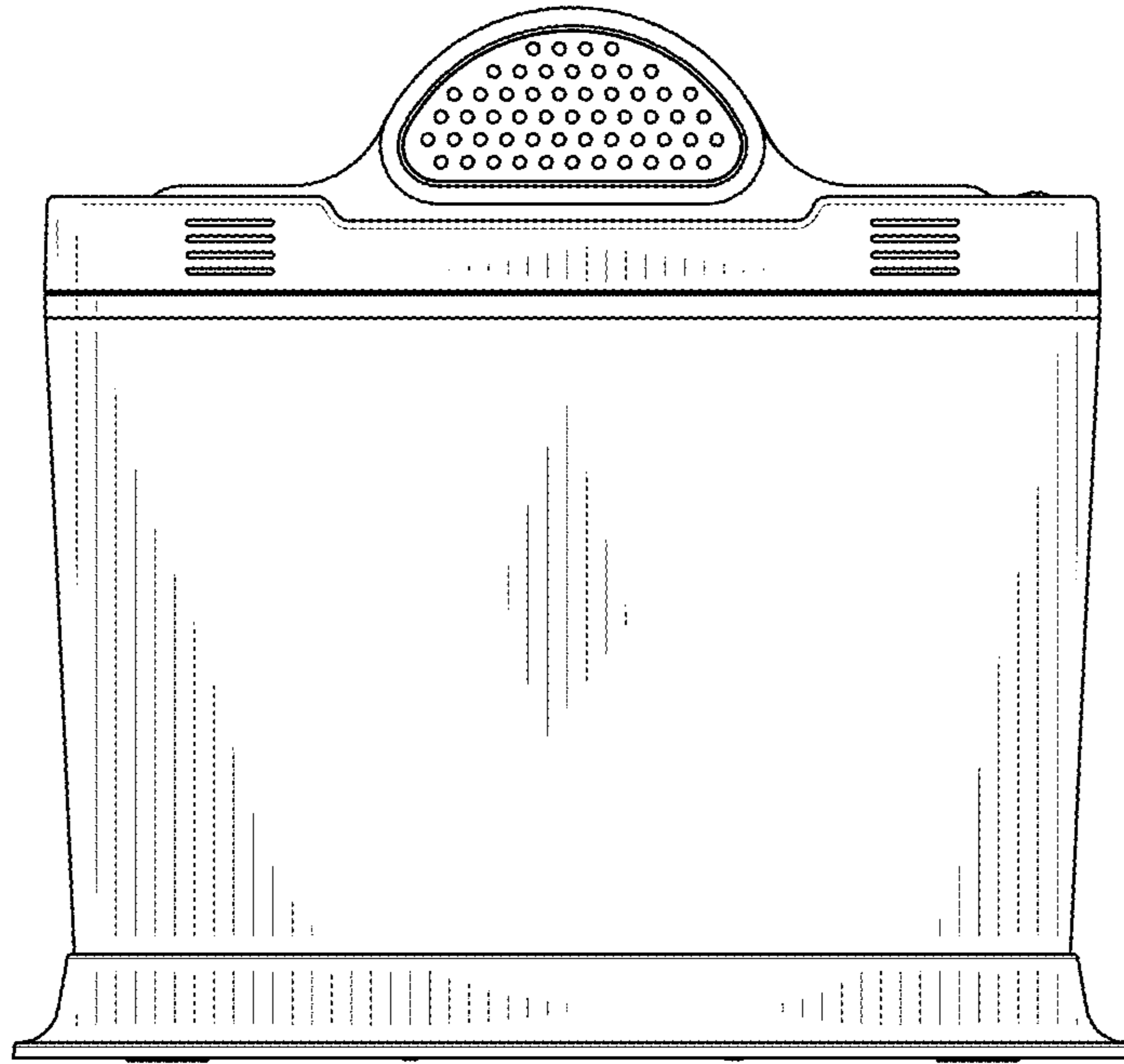


FIG. 3

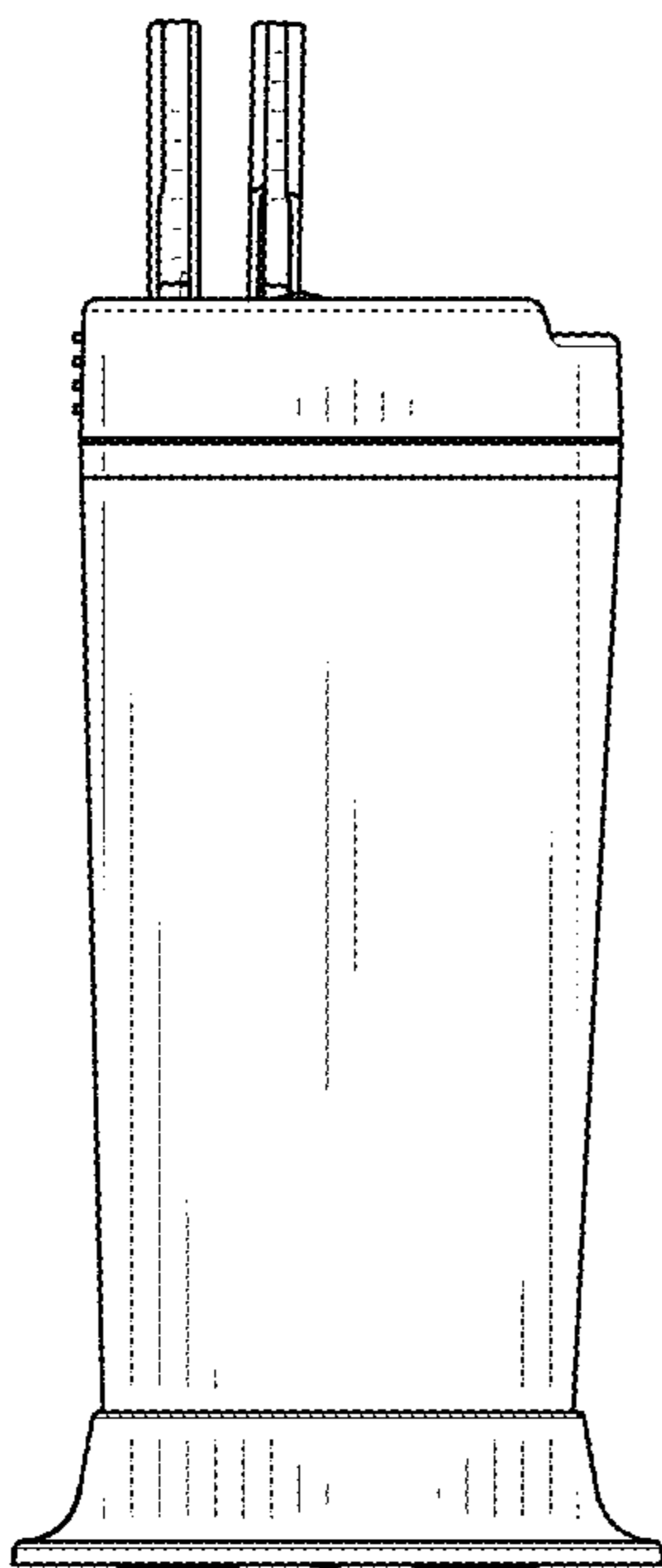


FIG. 4

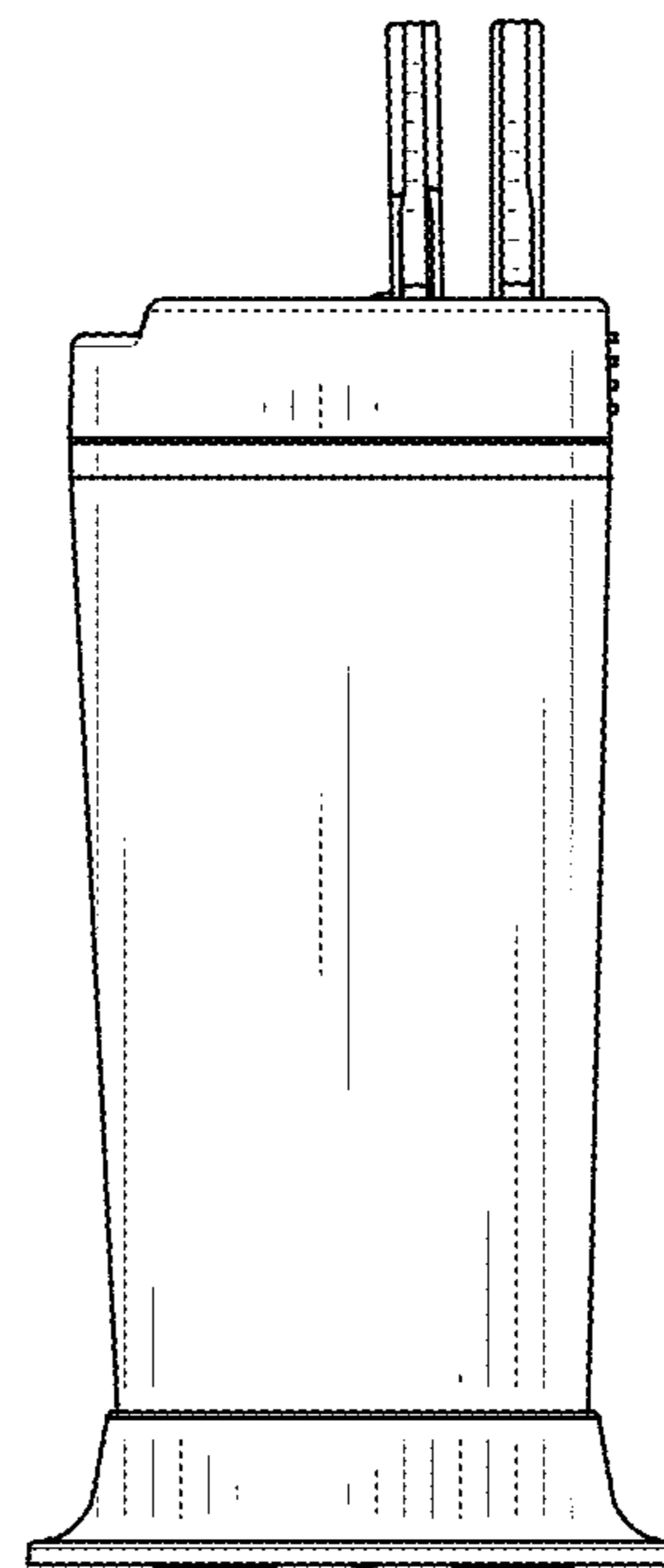


FIG. 5

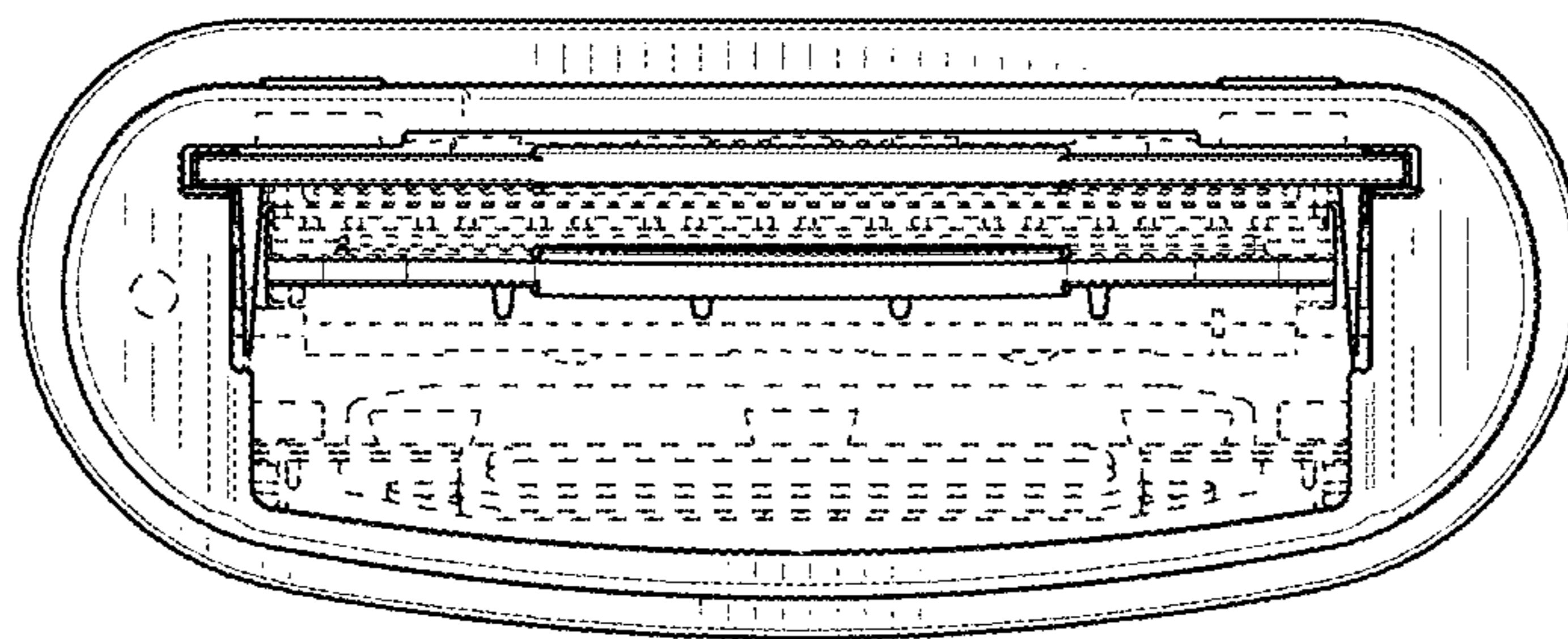


FIG. 6