



US00D783911S

(12) **United States Design Patent**
Bu et al.

(10) **Patent No.:** **US D783,911 S**
(45) **Date of Patent:** **** Apr. 11, 2017**

(54) **VACUUM CLEANER**

D573,760 S * 7/2008 Lam D32/25
D630,808 S * 1/2011 Dye D32/21
D630,809 S * 1/2011 Dye D32/21

(71) Applicant: **Samsung Electronics Co., Ltd.**,
Suwon-si, Gyeonggi-do (KR)

* cited by examiner

(72) Inventors: **Minhyouk Bu**, Seoul (KR); **Sanghun Yoon**, Seoul (KR); **Jaewon Choi**, Seoul (KR)

Primary Examiner — Ruth McInroy

(74) *Attorney, Agent, or Firm* — Ladas & Parry LLP

(73) Assignee: **SAMSUNG ELECTRONICS CO., LTD.**, Suwon-si, Gyeonggi-Do (KR)

(57) **CLAIM**

(**) Term: **15 Years**

We claim the ornamental design for a vacuum cleaner, as shown and described.

(21) Appl. No.: **29/531,681**

(22) Filed: **Jun. 29, 2015**

DESCRIPTION

(30) **Foreign Application Priority Data**

Jan. 20, 2015 (KR) 30-2015-0002762

(51) **LOC (10) Cl.** **15-05**

(52) **U.S. Cl.**
USPC **D32/21**

(58) **Field of Classification Search**
USPC D32/21–22, 31, 34, 25
CPC A47L 11/34; A47L 11/29; A47L 11/30;
A47L 7/0019; A47L 7/0004; A47L
7/0023; A47L 9/00; A47L 9/1409; A47L
5/36–5/367

See application file for complete search history.

FIG. 1 is the front perspective view of a vacuum cleaner showing our new design;
FIG. 2 is the front view thereof;
FIG. 3 is the rear view thereof;
FIG. 4 is the left-side view thereof;
FIG. 5 is the right-side view thereof;
FIG. 6 is the top plan view thereof;
FIG. 7 is the bottom plan view thereof;
FIG. 8 is a rear perspective view thereof; and,
FIG. 9 is a rear-bottom perspective view thereof.

The broken lines in the drawings show parts of the vacuum cleaner that form no part of the claimed design. The shaded surfaces shown between the solid lines and the broken lines form part of the claim.

(56) **References Cited**

U.S. PATENT DOCUMENTS

D378,152 S * 2/1997 deBlois D32/21
D503,251 S * 3/2005 Christianson D32/21

1 Claim, 9 Drawing Sheets

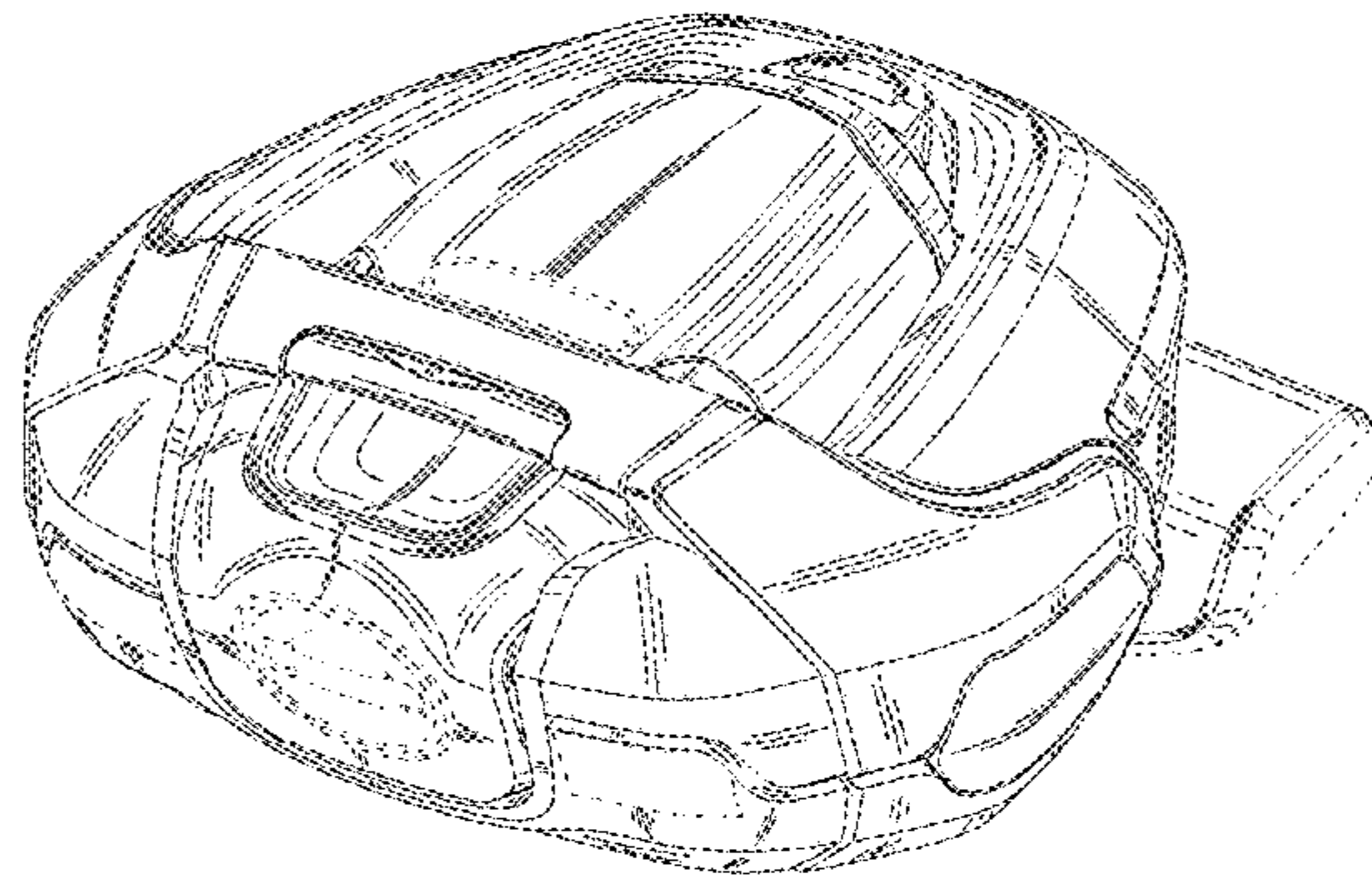
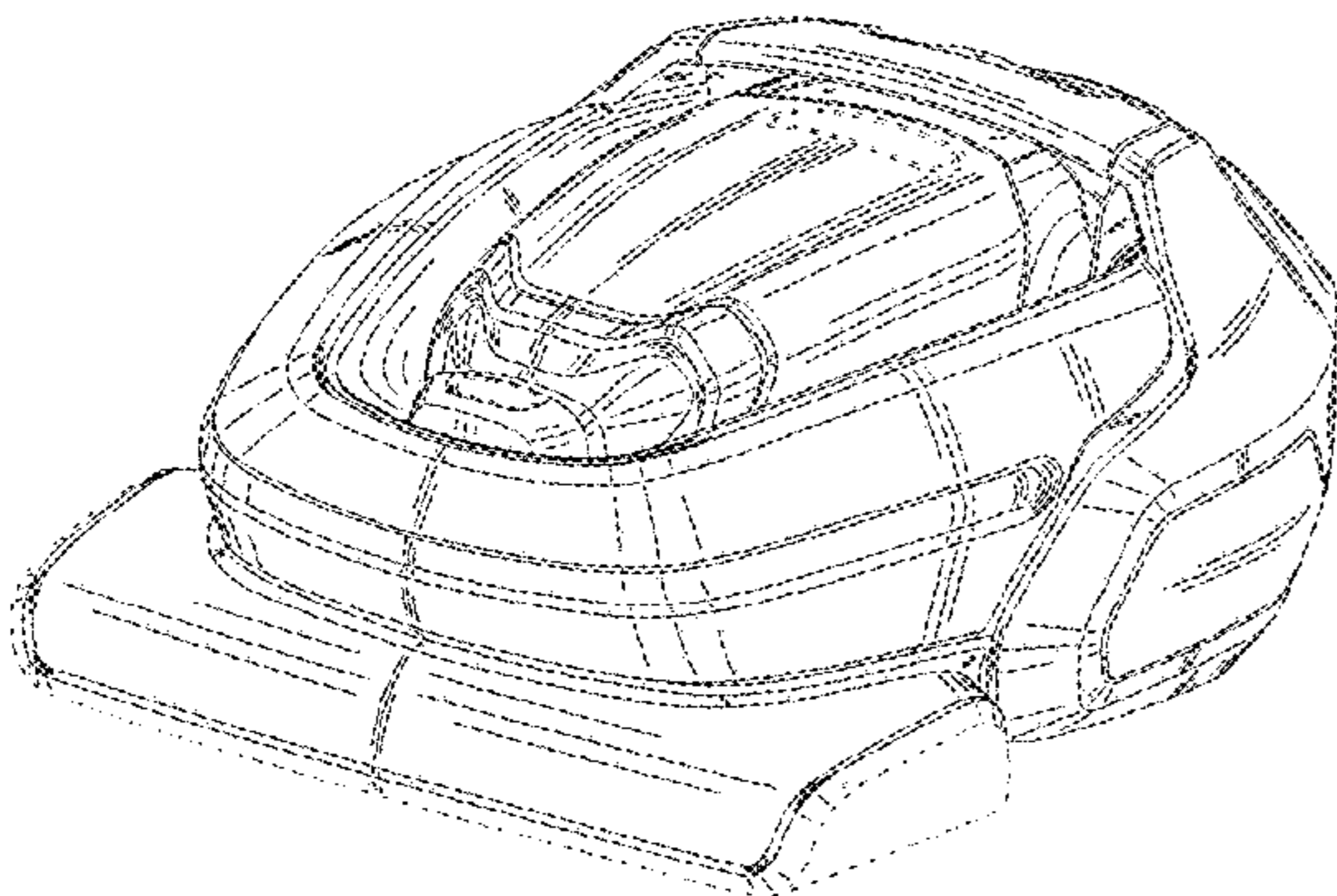


FIG. 1

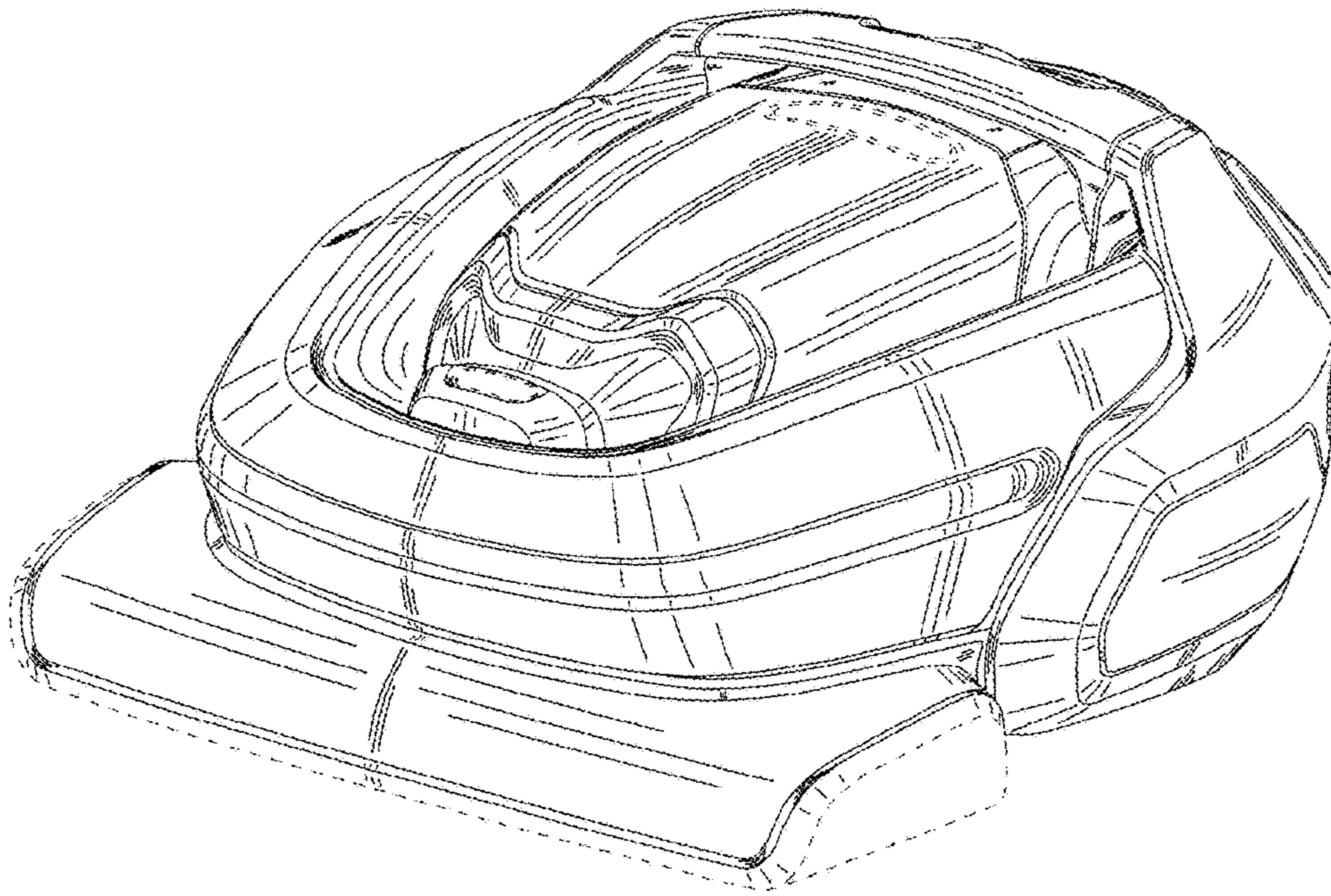


FIG. 2

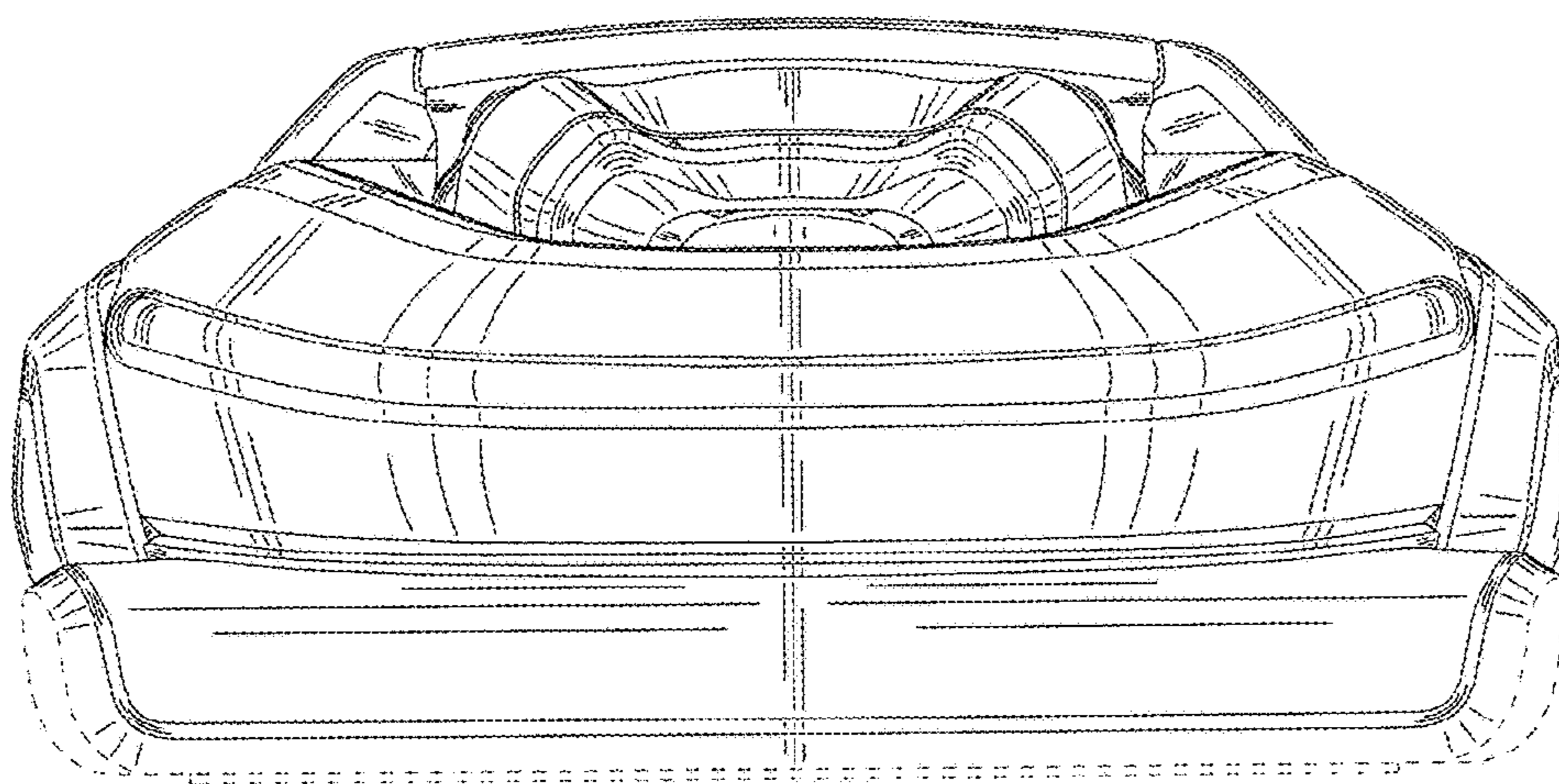


FIG. 3

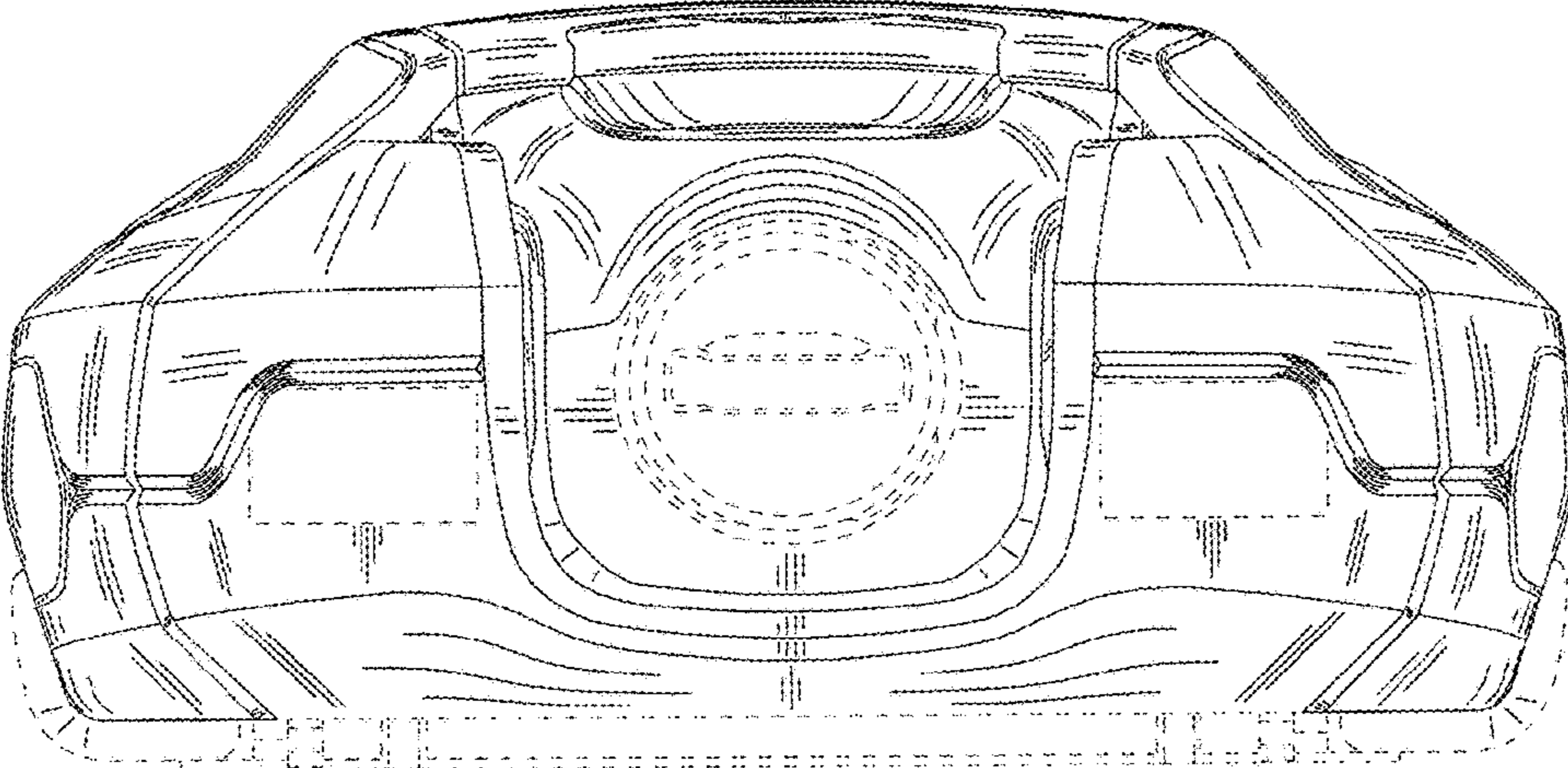


FIG. 4

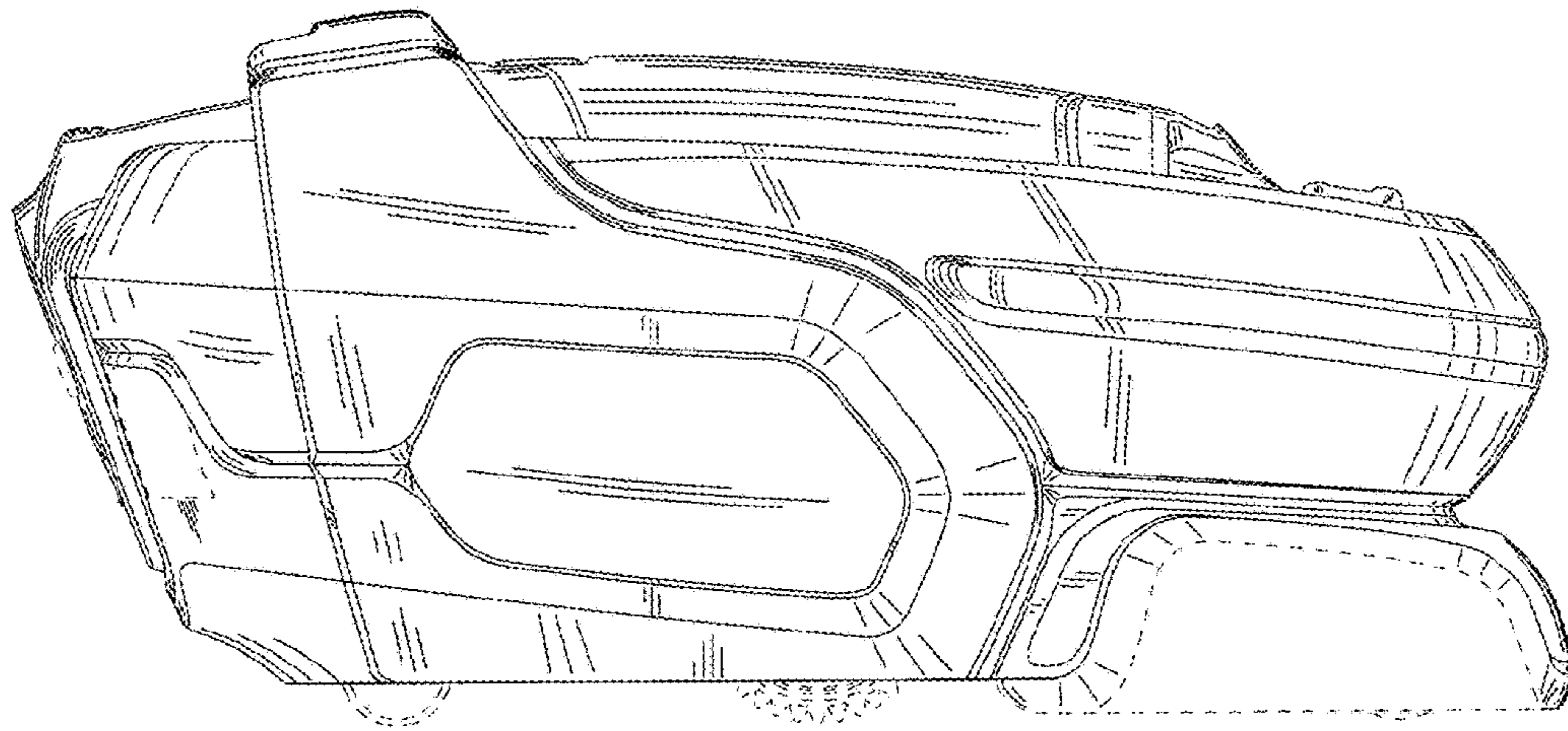


FIG. 5

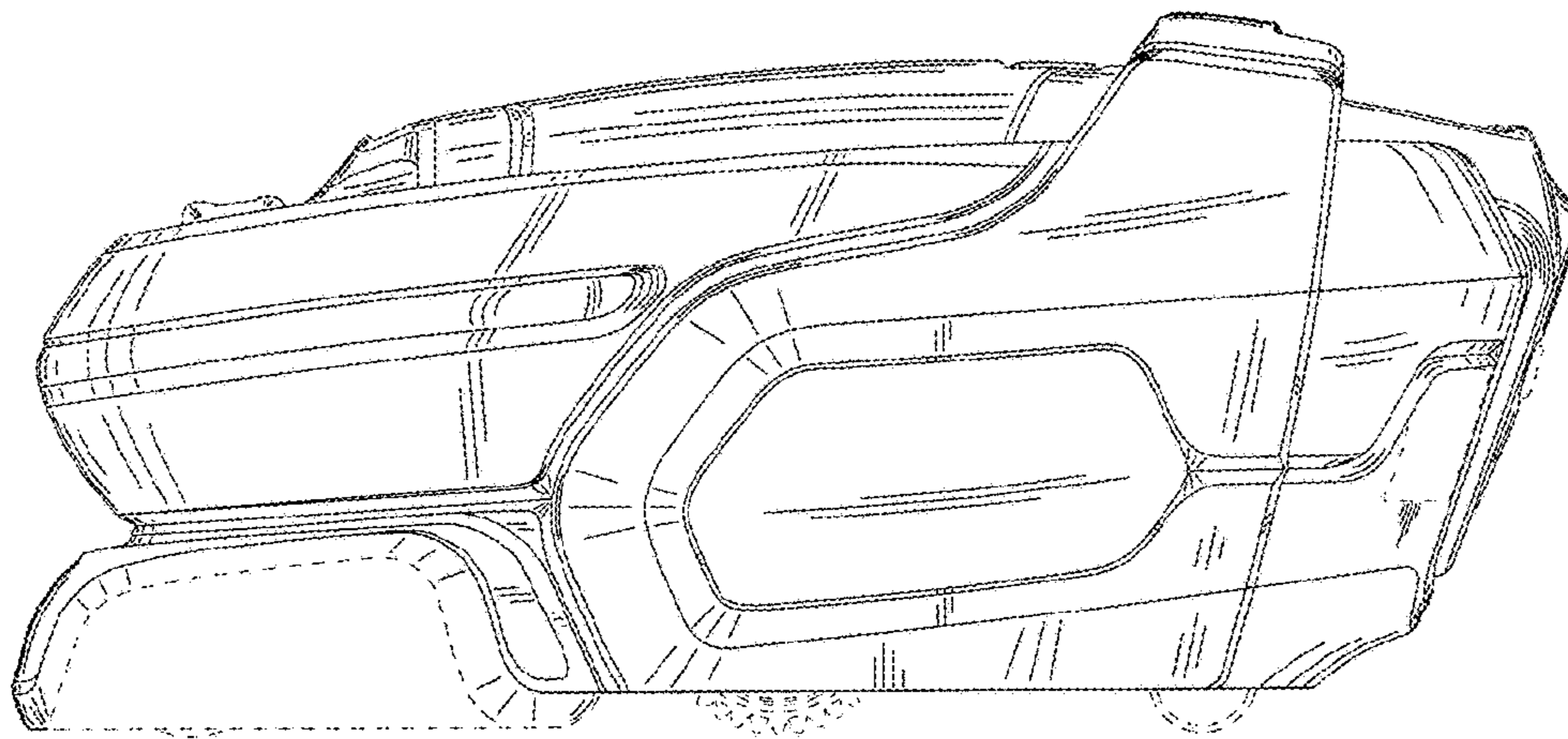


FIG. 6

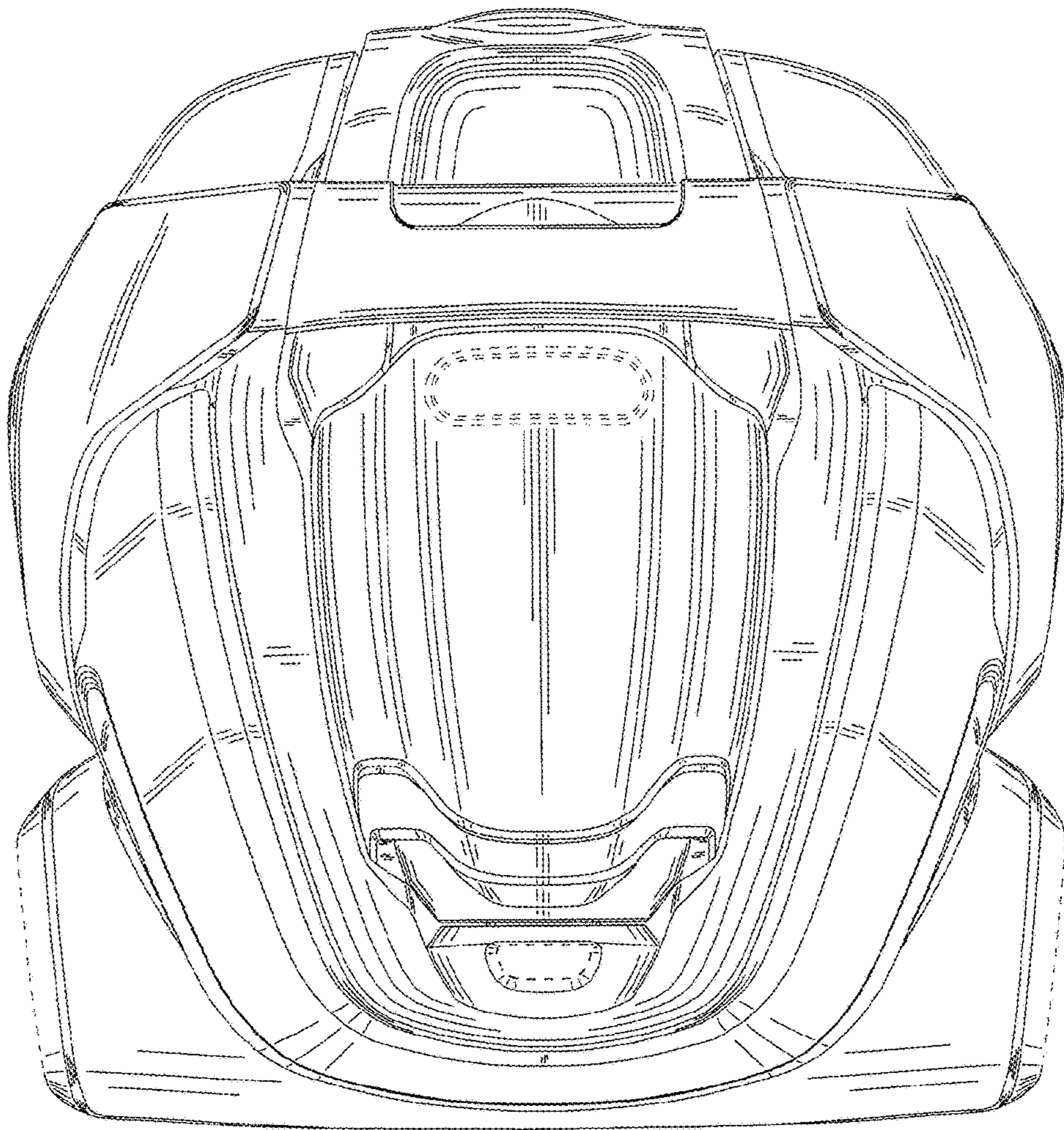


FIG. 7

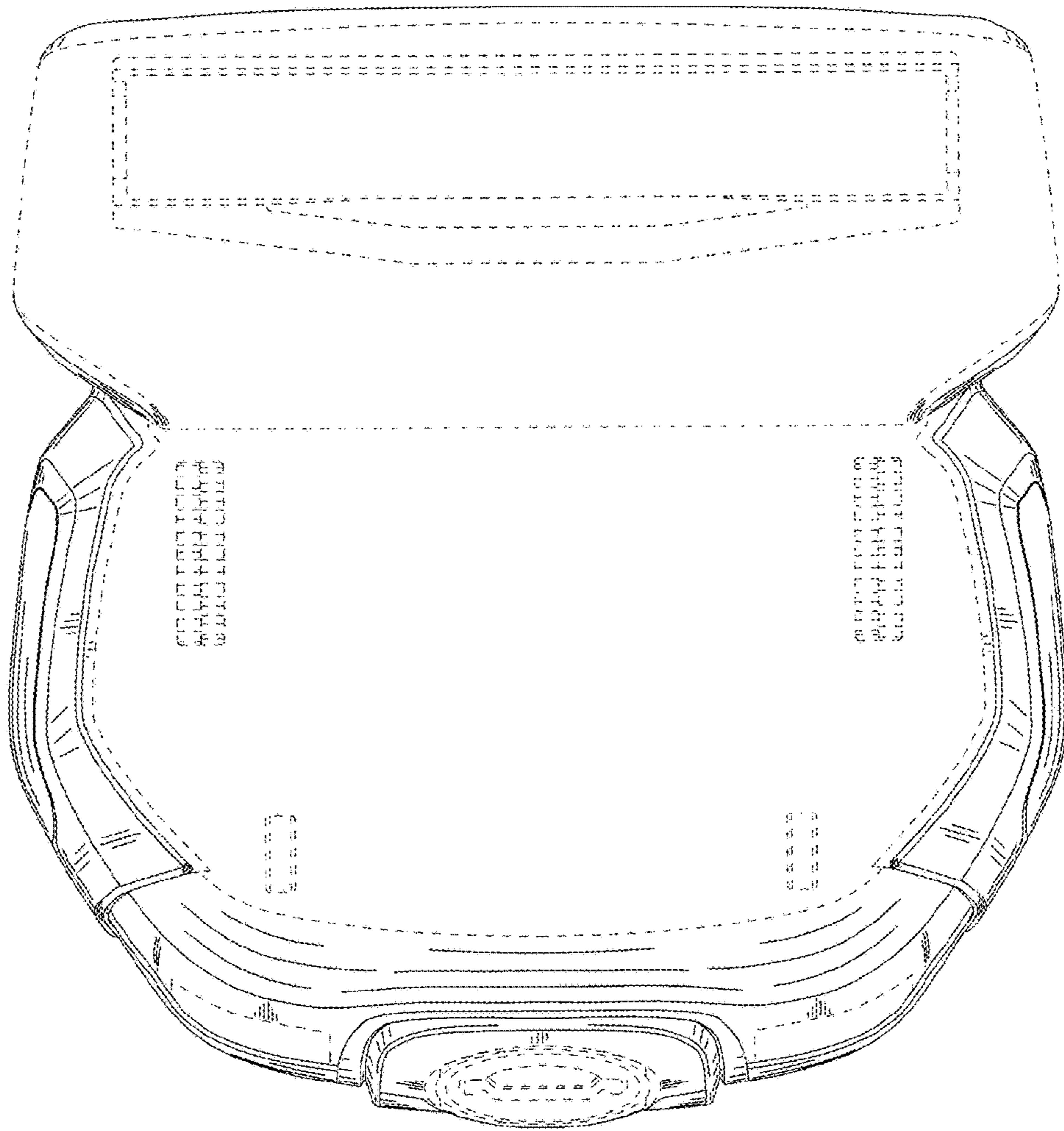


FIG. 8

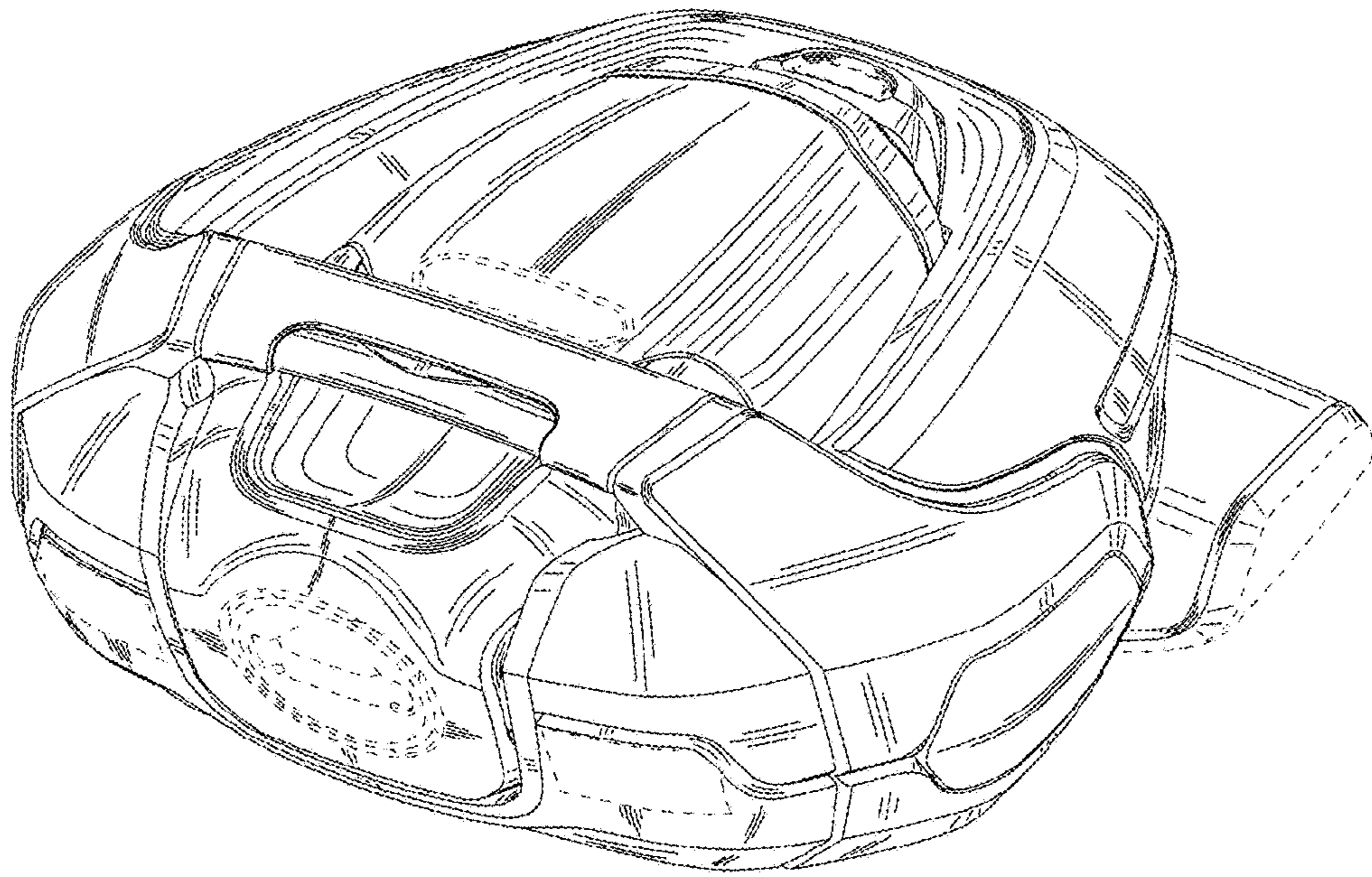


FIG. 9

