



US00D783910S

(12) **United States Design Patent**
Casalgrandi

(10) **Patent No.:** **US D783,910 S**

(45) **Date of Patent:** **** Apr. 11, 2017**

- (54) **HIGH-PRESSURE CLEANER**
- (71) Applicant: **ANNOVI REVERBERI S.P.A.**,
Modena (MO) (IT)
- (72) Inventor: **Alessandro Casalgrandi**, Modena (IT)
- (73) Assignee: **ANNOVI REVERBERI S.P.A.**,
Modena (MO) (IT)
- (**) Term: **15 Years**
- (21) Appl. No.: **29/529,532**
- (22) Filed: **Jun. 8, 2015**

6,553,612	B1	*	4/2003	Dyson	A47L 5/28
						15/319
D506,042	S	*	6/2005	Griffin	D32/21
D534,696	S	*	1/2007	Choi	D32/21
D567,458	S	*	4/2008	Jiang	D32/15
D596,359	S	*	7/2009	Hollis	D32/21
D618,870	S	*	6/2010	Williams	D32/24
D646,030	S	*	9/2011	Carr	D32/21
D724,801	S	*	3/2015	Yoon	D32/21
D730,599	S	*	5/2015	Uim	D32/18
D737,006	S	*	8/2015	Heck	D32/21
D744,178	S	*	11/2015	Choi	D32/21
D749,282	S	*	2/2016	Kim	D32/18
D749,283	S	*	2/2016	Kim	D32/18
D749,285	S	*	2/2016	Kim	D32/31
D752,831	S	*	3/2016	Kim	D32/18
D760,969	S	*	7/2016	Kim	D32/18

* cited by examiner

(30) **Foreign Application Priority Data**

May 11, 2015 (EM) 002697946-0001

(51) **LOC (10) Cl.** **15-05**

(52) **U.S. Cl.**
USPC **D32/15**

(58) **Field of Classification Search**
USPC D32/15-17, 21-24
CPC B08B 3/026; B08B 3/028; B05B 1/12; B05B
9/0855; B05B 1/00; B05B 1/1654; B05B
9/007; B05B 9/0426; F04B 17/05; F04B
49/24

See application file for complete search history.

(56) **References Cited**

U.S. PATENT DOCUMENTS

D343,934	S	*	2/1994	Meelen	D32/21
D381,779	S	*	7/1997	Pritchett	D32/22
D405,570	S	*	2/1999	Broecking	D32/32
D418,643	S	*	1/2000	Hoshino	D32/21
D454,994	S	*	3/2002	Harada	D32/21
D462,488	S	*	9/2002	Santiago	D32/18

Primary Examiner — Michael A. Pratt

Assistant Examiner — Michelle E Wilson

(74) *Attorney, Agent, or Firm* — Volpe and Koenig, P.C.

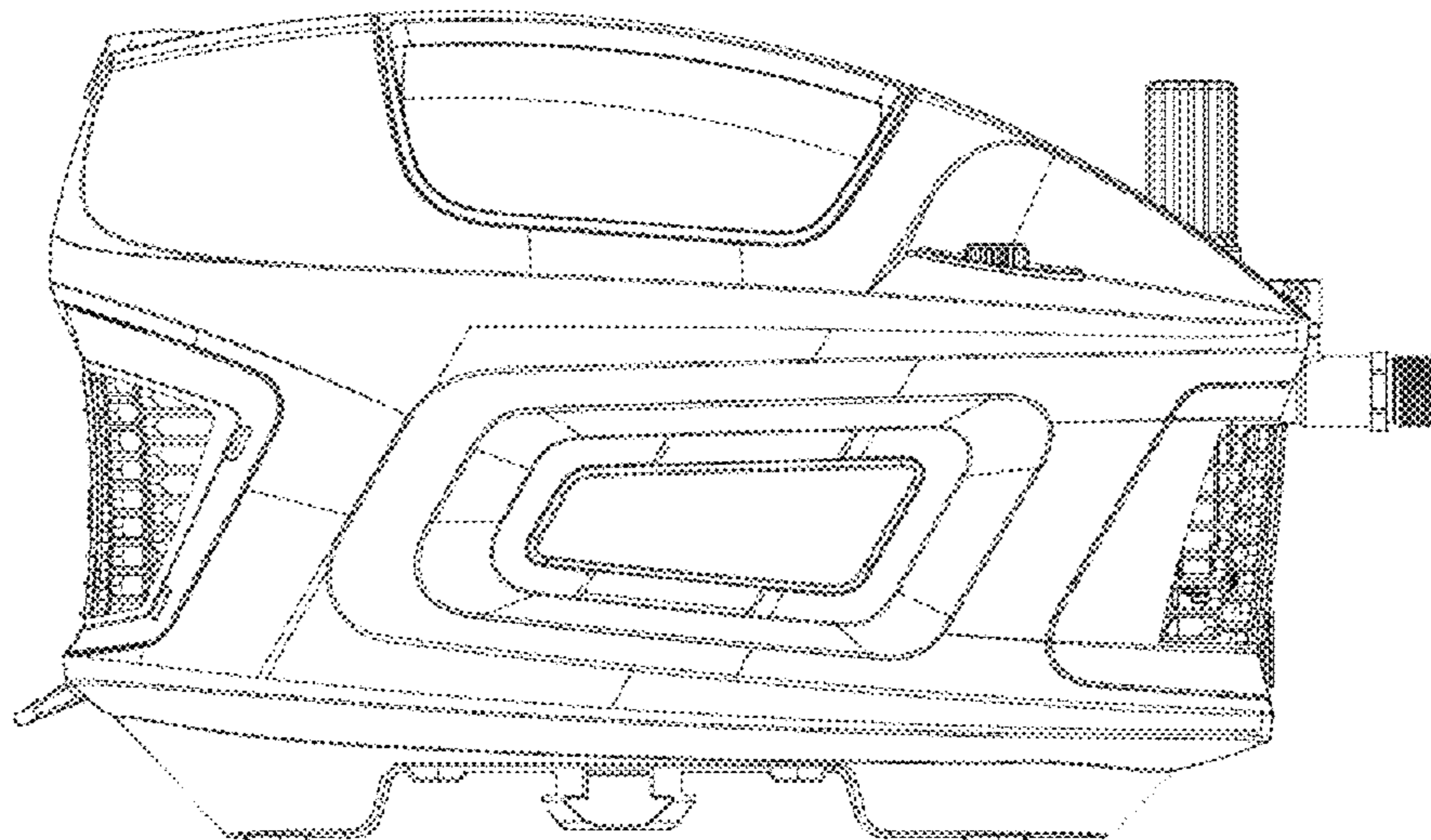
(57) **CLAIM**

The ornamental design for high-pressure cleaner, as shown and described.

DESCRIPTION

FIG. 1 is a left side elevational view of the high-pressure cleaner of my design;
 FIG. 2 is a bottom view thereof;
 FIG. 3 is a rear view thereof;
 FIG. 4 is a right side elevational view thereof;
 FIG. 5 is a front view thereof;
 FIG. 6 is a top plan view thereof; and,
 FIG. 7 is a front top perspective view thereof.
 The broken line are showing portions of the high pressure cleaner that form no part of the claimed design.

1 Claim, 7 Drawing Sheets



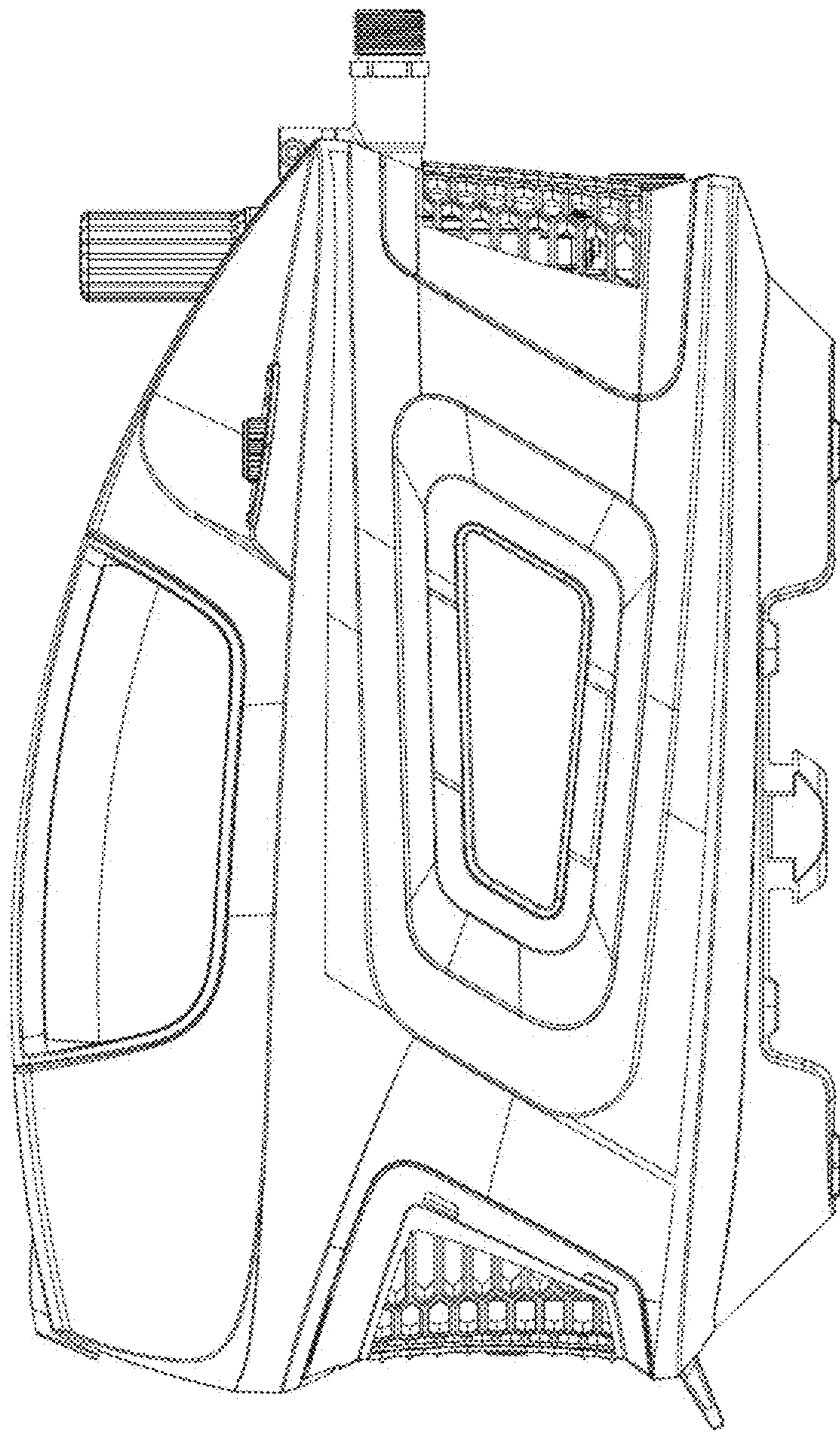


FIG. 1

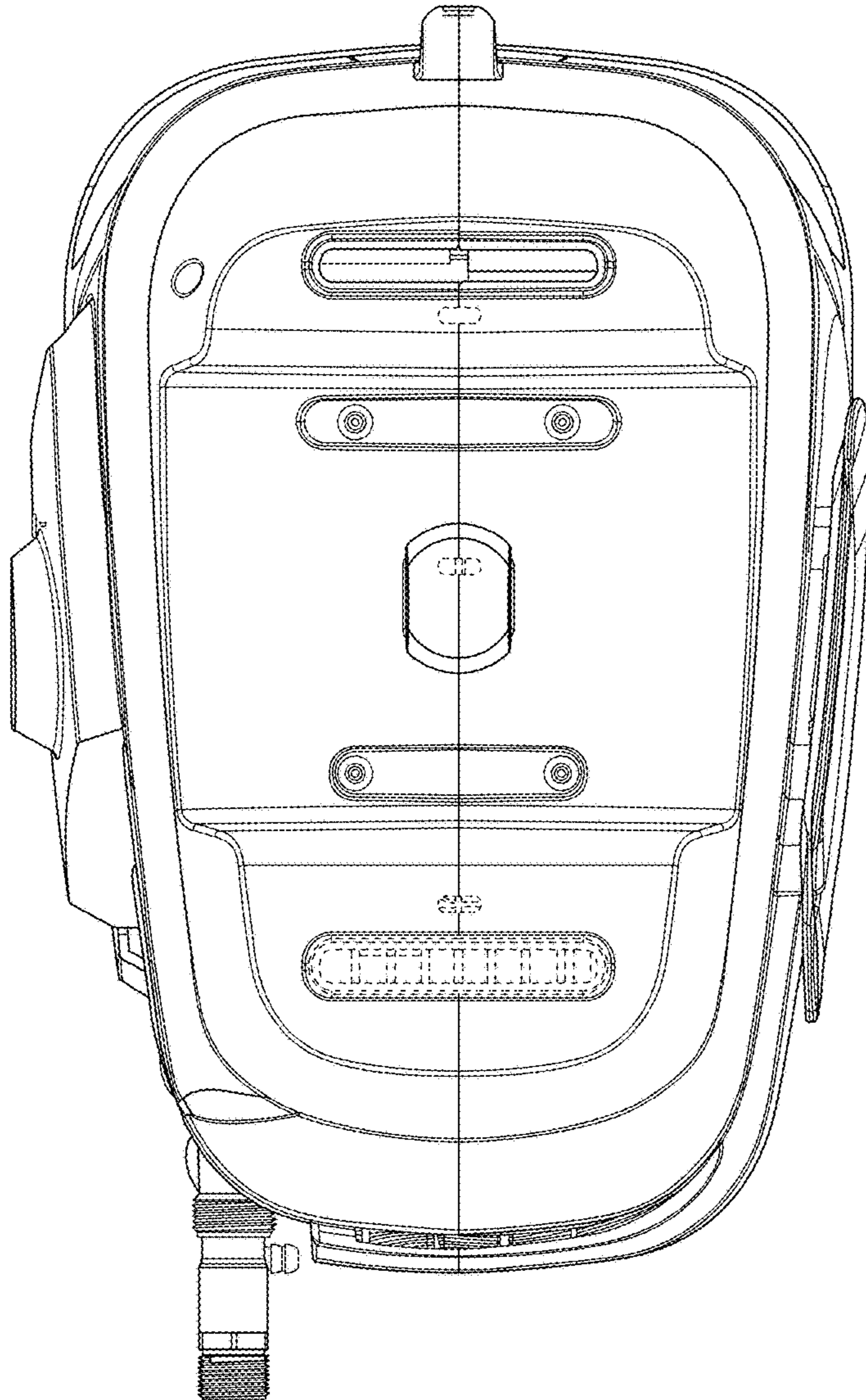


FIG. 2

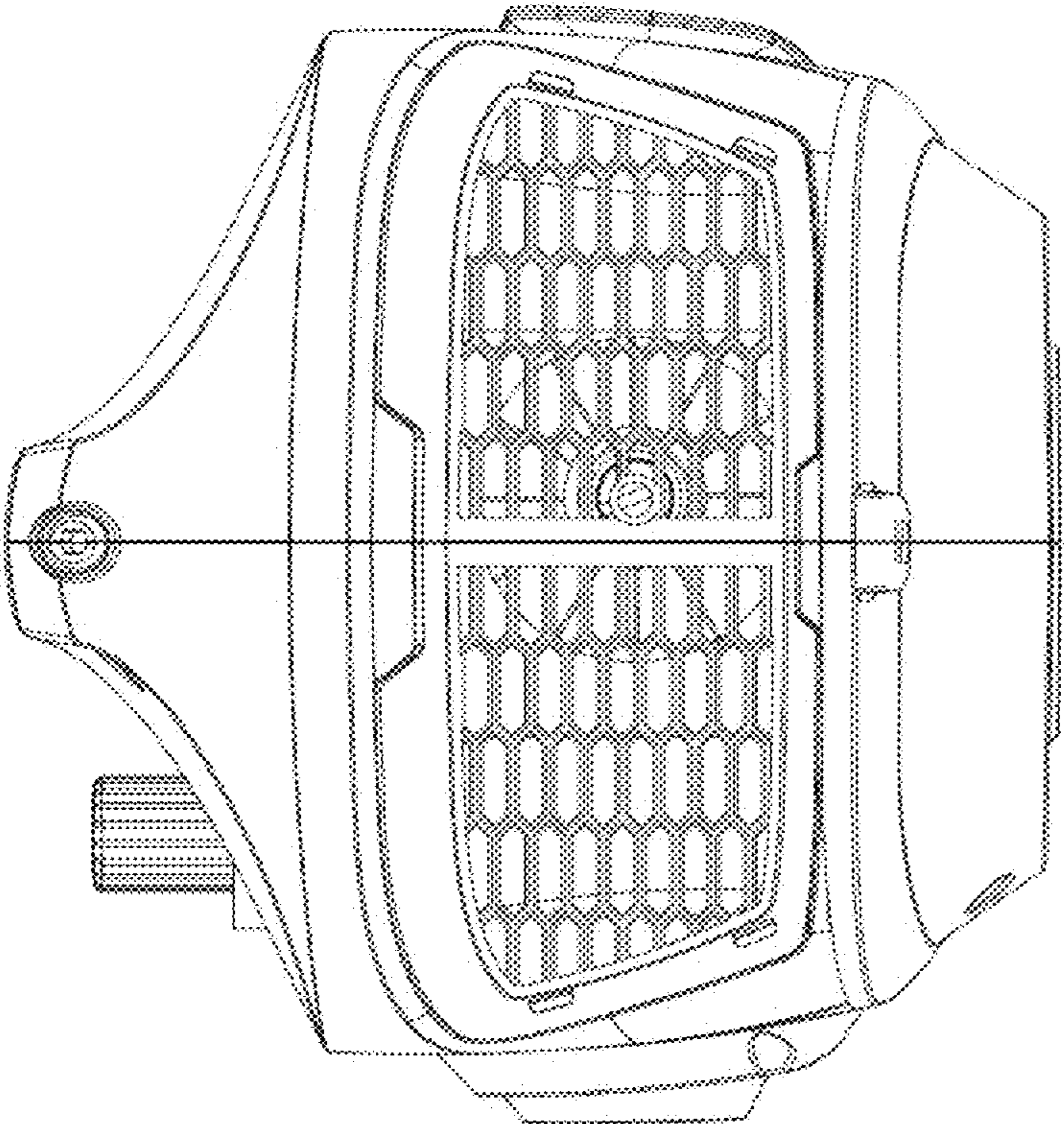


FIG. 3

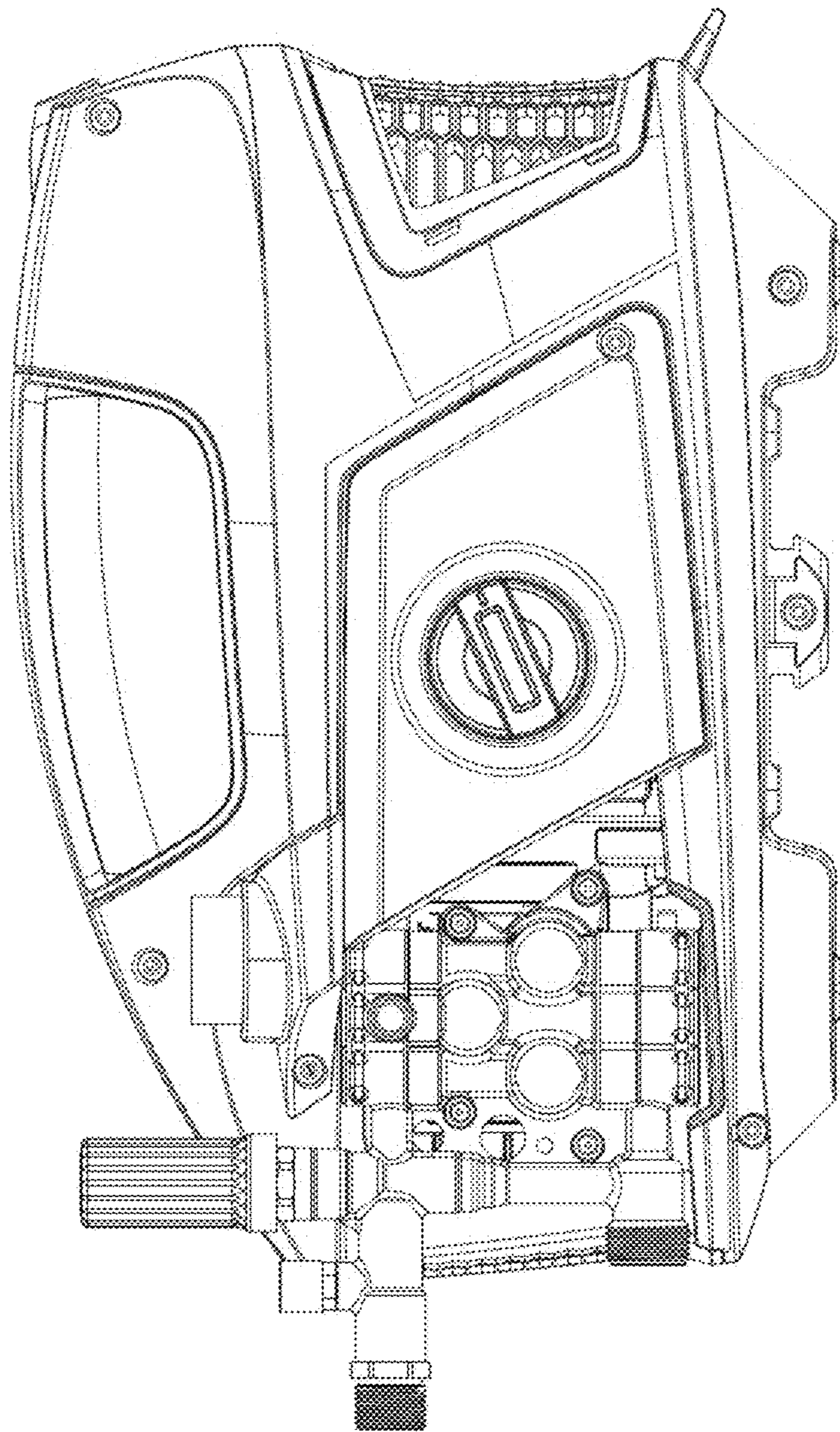


FIG. 4

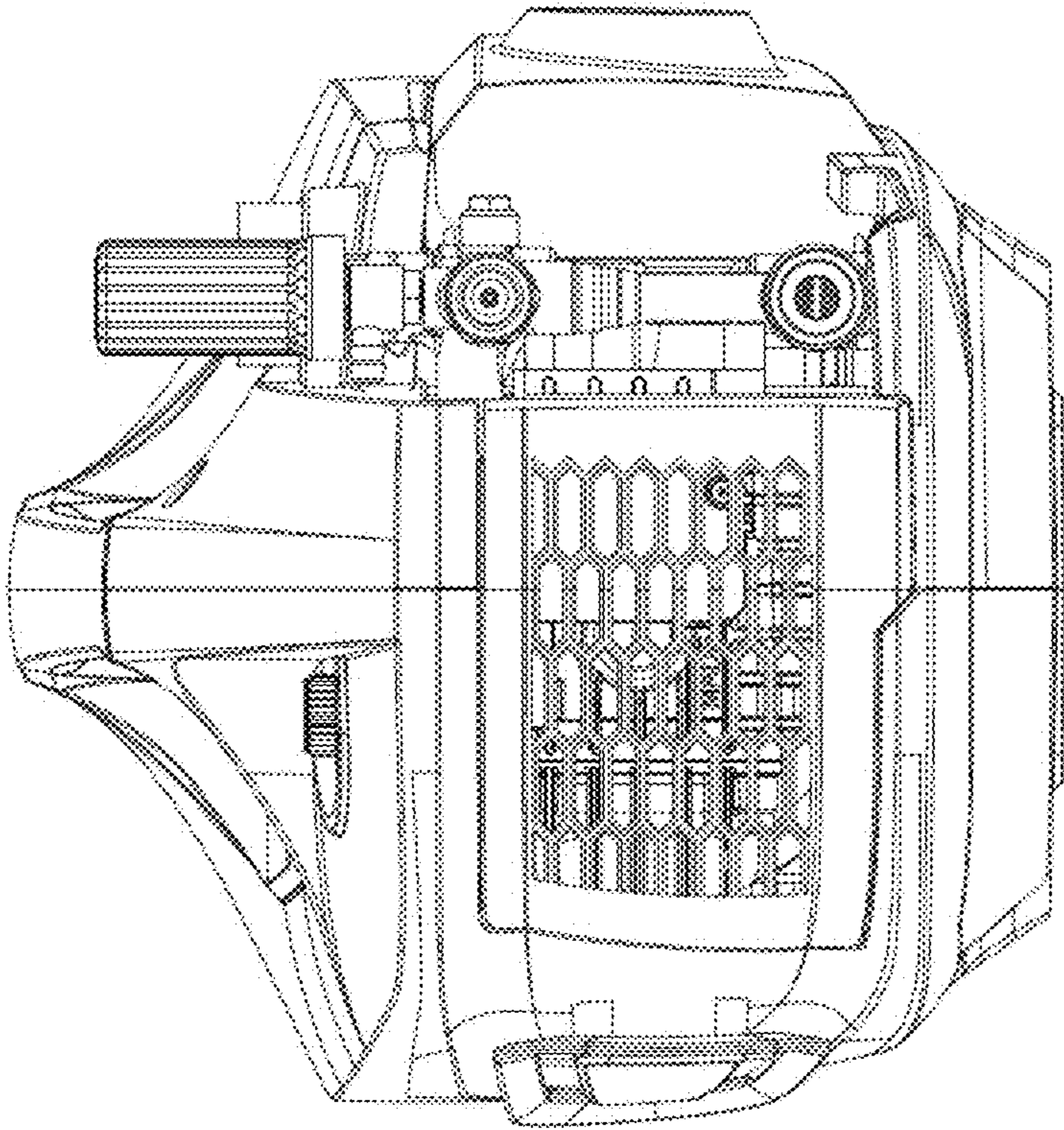


FIG. 5

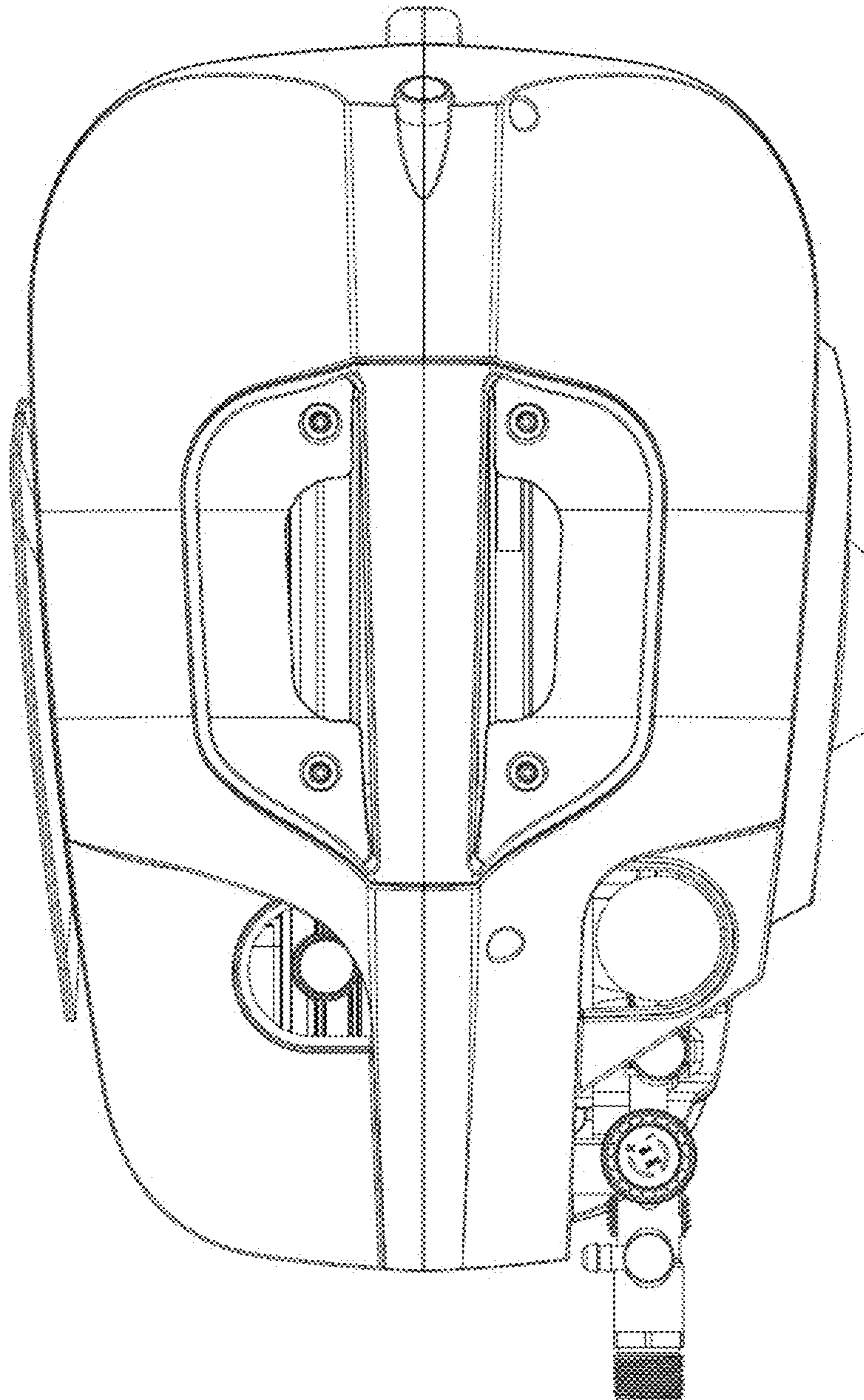


FIG. 6

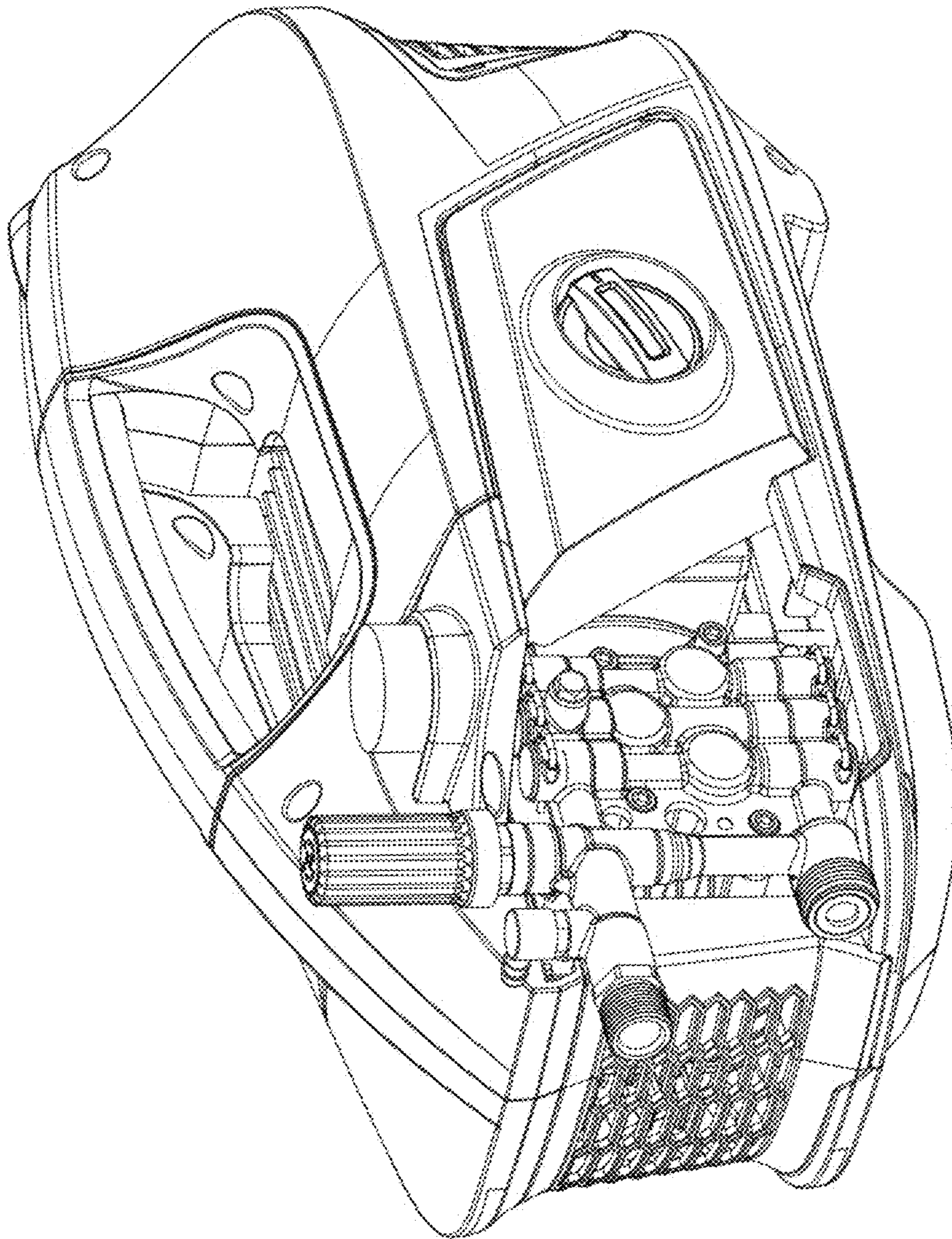


FIG. 7