



US00D783907S

(12) **United States Design Patent**  
**Ohlman**

(10) **Patent No.:** **US D783,907 S**

(45) **Date of Patent:** **\*\* Apr. 11, 2017**

- (54) **DISPOSABLE LITTER LINER**
- (71) Applicant: **Vernon C. Ohlman**, Grand Rapids, MI (US)
- (72) Inventor: **Vernon C. Ohlman**, Grand Rapids, MI (US)
- (73) Assignee: **WKOL Design Research and Development, LLC**, Grand Rapids, MI (US)
- (\*\*) Term: **15 Years**

- 4,312,295 A 1/1982 Harrington
- 4,548,160 A 10/1985 Feitelson
- 4,615,300 A 10/1986 McDonough
- D289,095 S 3/1987 Chiodo et al.
- 4,723,510 A 2/1988 Skillestad
- 4,739,725 A 4/1988 Fennelly
- 4,756,273 A 7/1988 Yananton
- 4,784,082 A 11/1988 Wolfe
- 4,807,563 A 2/1989 Berry et al.
- 4,813,374 A 3/1989 Sides
- 4,846,105 A 7/1989 Caldwell
- 4,869,204 A 9/1989 Yananton
- 4,870,924 A 10/1989 Wolfe
- 4,967,692 A 11/1990 Mills
- 5,035,205 A 7/1991 Schiller et al.

(Continued)

- (21) Appl. No.: **29/535,407**
- (22) Filed: **Aug. 6, 2015**
- (51) **LOC (10) Cl.** ..... **30-99**
- (52) **U.S. Cl.**  
USPC ..... **D30/161**
- (58) **Field of Classification Search**  
USPC ..... D30/161  
CPC .... A01K 1/011; A01K 1/0107; A01K 1/0117;  
A01K 1/0121; A01K 1/0125; A47K  
11/02; A47K 11/06; A47K 13/00; A47K  
13/06; A47K 13/14  
See application file for complete search history.

*Primary Examiner* — Cathy Anne MacCormac  
(74) *Attorney, Agent, or Firm* — Price Heneveld LLP

(57) **CLAIM**

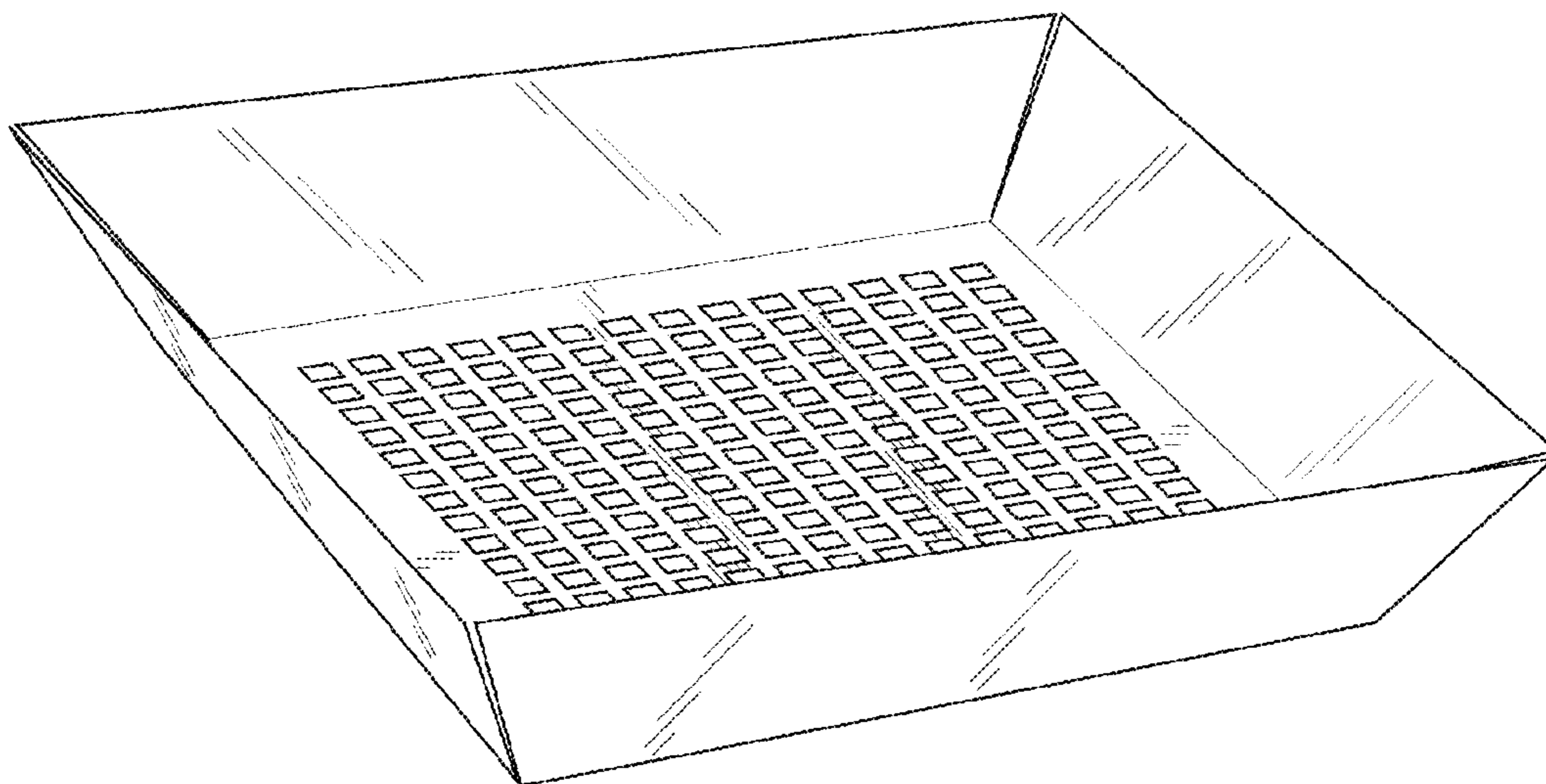
I claim the ornamental design for a disposable litter liner, as shown.

**DESCRIPTION**

FIG. 1 is a top perspective view of a disposable litter liner; FIG. 2 is a bottom perspective view thereof; FIG. 3 is a first side view thereof; FIG. 4 is a second side view thereof; FIG. 5 is a third side view thereof; FIG. 6 is a fourth side view thereof; FIG. 7 is a top plan view thereof; FIG. 8 is a bottom plan view thereof; FIG. 9 is a top perspective view of the disposable litter liner in an alternate and flat configuration; FIG. 10 is a top plan view of FIG. 9; FIG. 11 is a bottom perspective view of FIG. 9; and, FIG. 12 is a bottom plan view of FIG. 9.

- (56) **References Cited**  
U.S. PATENT DOCUMENTS
- 2,144,329 A 1/1939 Conlon et al.
- 2,931,535 A 4/1960 Lockwood
- 3,684,155 A 8/1972 Smith
- 3,745,975 A 7/1973 Prucha
- 3,771,493 A 11/1973 Chandor
- 3,809,013 A 5/1974 Rigney et al.
- 4,217,857 A 8/1980 Geddie
- 4,305,544 A 12/1981 Noonan
- 4,308,825 A 1/1982 Stepanian

**1 Claim, 8 Drawing Sheets**



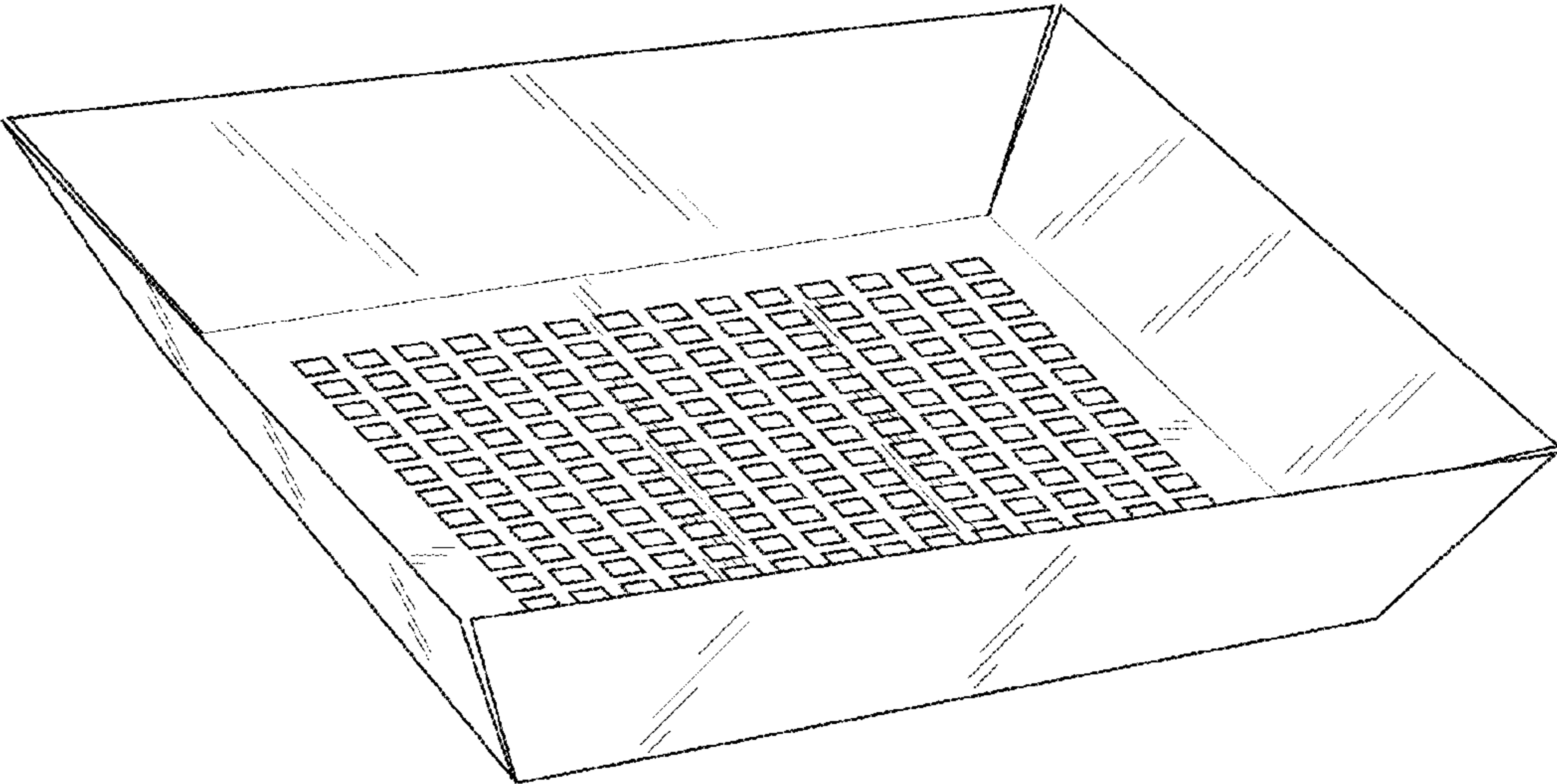
(56)

References Cited

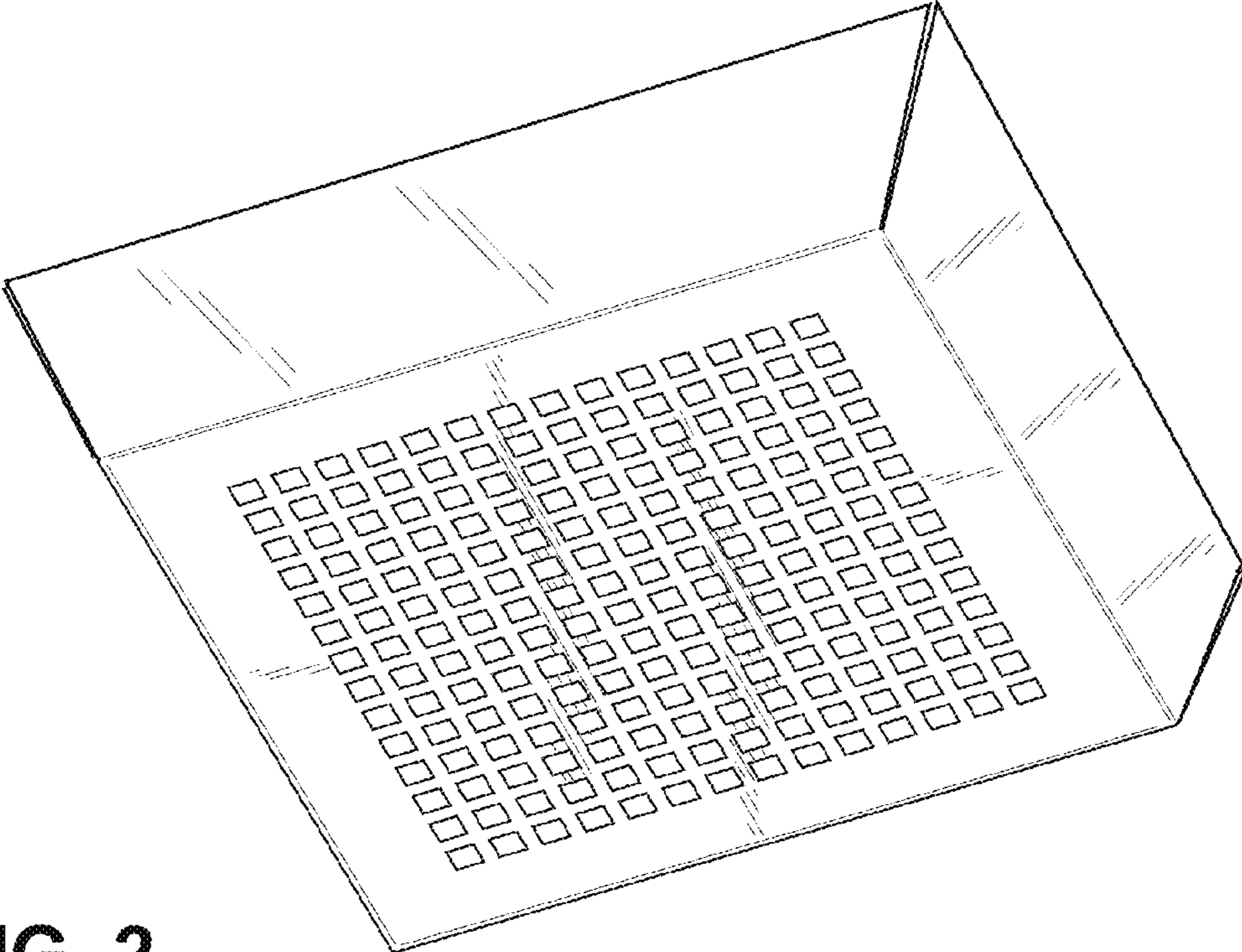
U.S. PATENT DOCUMENTS

5,038,721 A	8/1991	Ouellette et al.	5,983,832 A	11/1999	Seo	
5,062,392 A	11/1991	Lavash	D417,549 S	12/1999	Cassani et al.	
5,078,099 A	1/1992	Balson	6,595,159 B1	7/2003	Montalbano	
5,115,766 A	5/1992	Williams	6,668,755 B1	12/2003	Koster	
D327,534 S	6/1992	Manville et al.	D488,890 S	4/2004	Radde	
5,121,712 A	6/1992	Schulein, Jr. et al.	7,255,261 B2	8/2007	Mesly	
5,158,042 A	10/1992	Hammerslag et al.	D636,135 S	4/2011	Spurgeon	
5,207,772 A	5/1993	Lauretta et al.	8,438,994 B2	5/2013	Stratton	
5,325,815 A	7/1994	Gumpesberger	D711,601 S	8/2014	Robbins	
D363,369 S	10/1995	Hoth	8,852,717 B2*	10/2014	Davis .....	A01K 1/0107
D366,212 S	1/1996	Jones				119/169
5,488,929 A	2/1996	Pierson et al.	D718,907 S	12/2014	Calimano et al.	
5,499,610 A	3/1996	Bruner et al.	2002/0000206 A1	1/2002	Ikegami et al.	
D372,565 S	8/1996	Rice	2004/0200890 A1	10/2004	Mesly	
5,551,376 A	9/1996	Lundeen et al.	2007/0215058 A1	9/2007	Spreitzer	
D378,451 S	3/1997	Schmidt	2007/0215059 A1	9/2007	Sefranek	
5,752,466 A	5/1998	Lundeen et al.	2008/0041316 A1	2/2008	Hartzell	
5,832,869 A	11/1998	Franczak et al.	2009/0194033 A1	8/2009	Modlin	
5,890,452 A	4/1999	Lundeen et al.	2013/0068169 A1	3/2013	Miller	
			2013/0098302 A1	4/2013	Matsuo et al.	
			2014/0174369 A1	6/2014	Bernal et al.	
			2015/0027380 A1	1/2015	Sasano et al.	

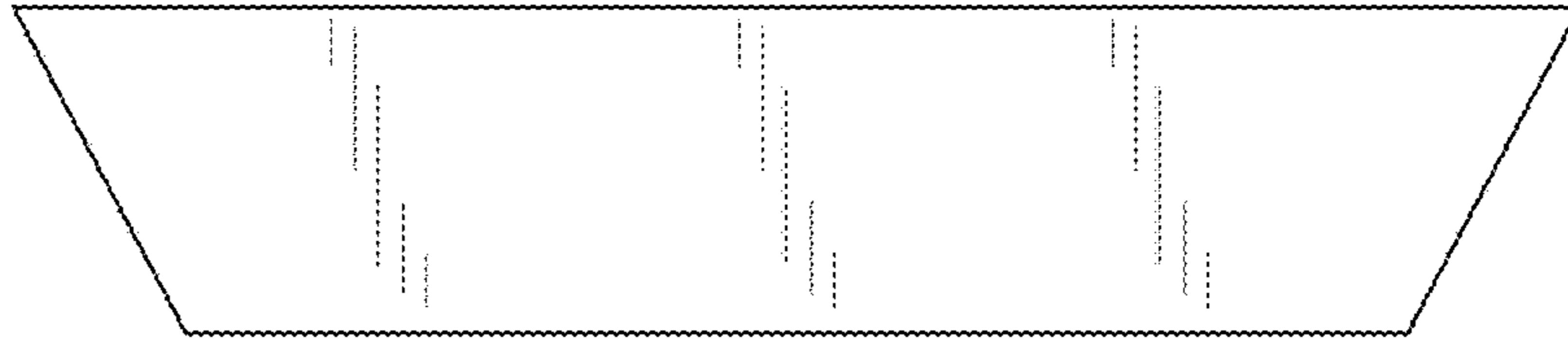
\* cited by examiner



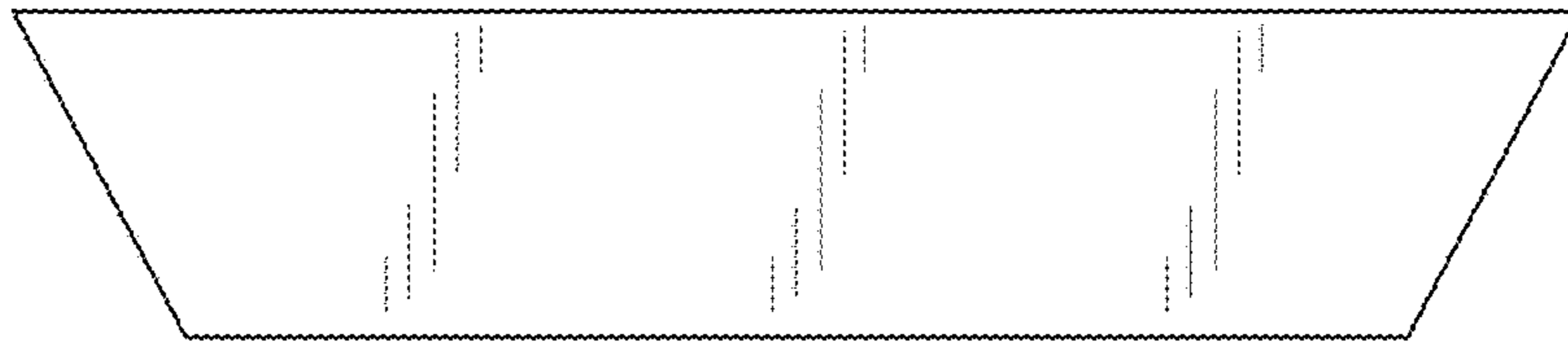
**FIG. 1**



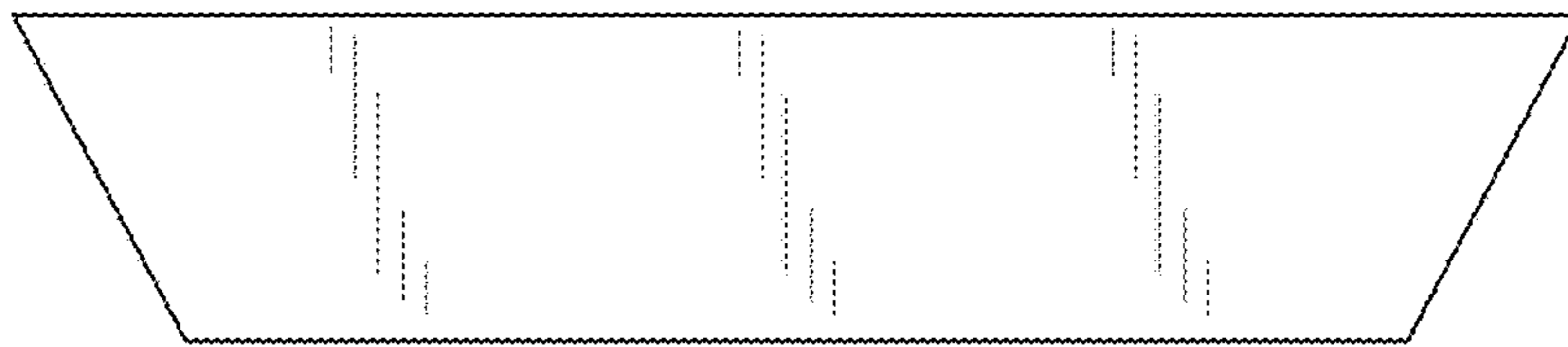
**FIG. 2**



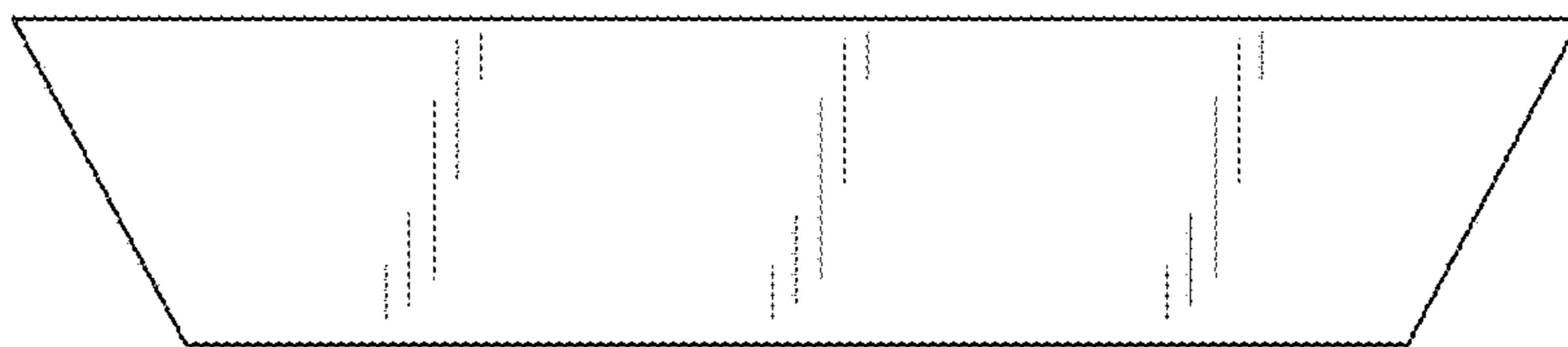
**FIG. 3**



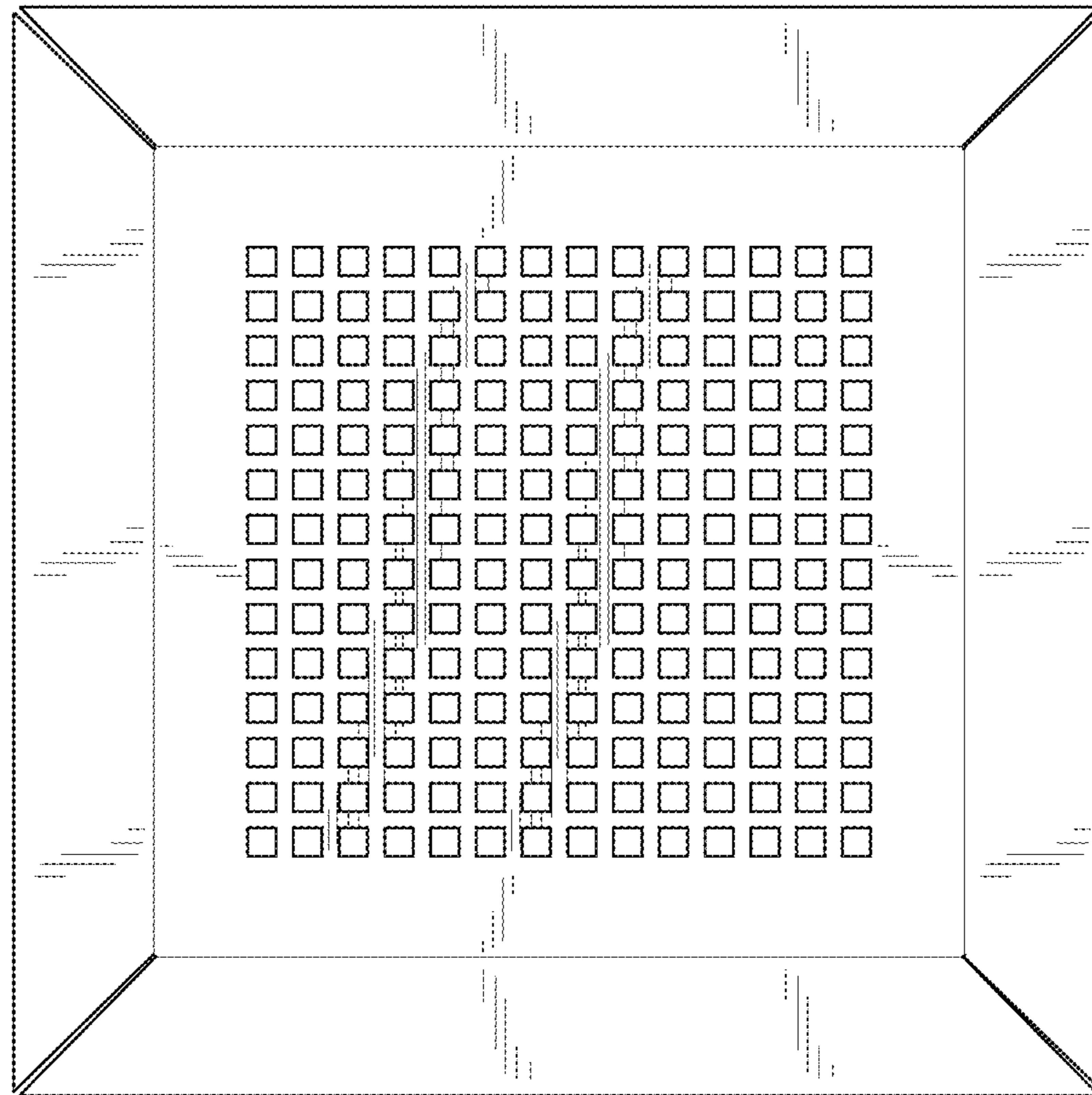
**FIG. 4**



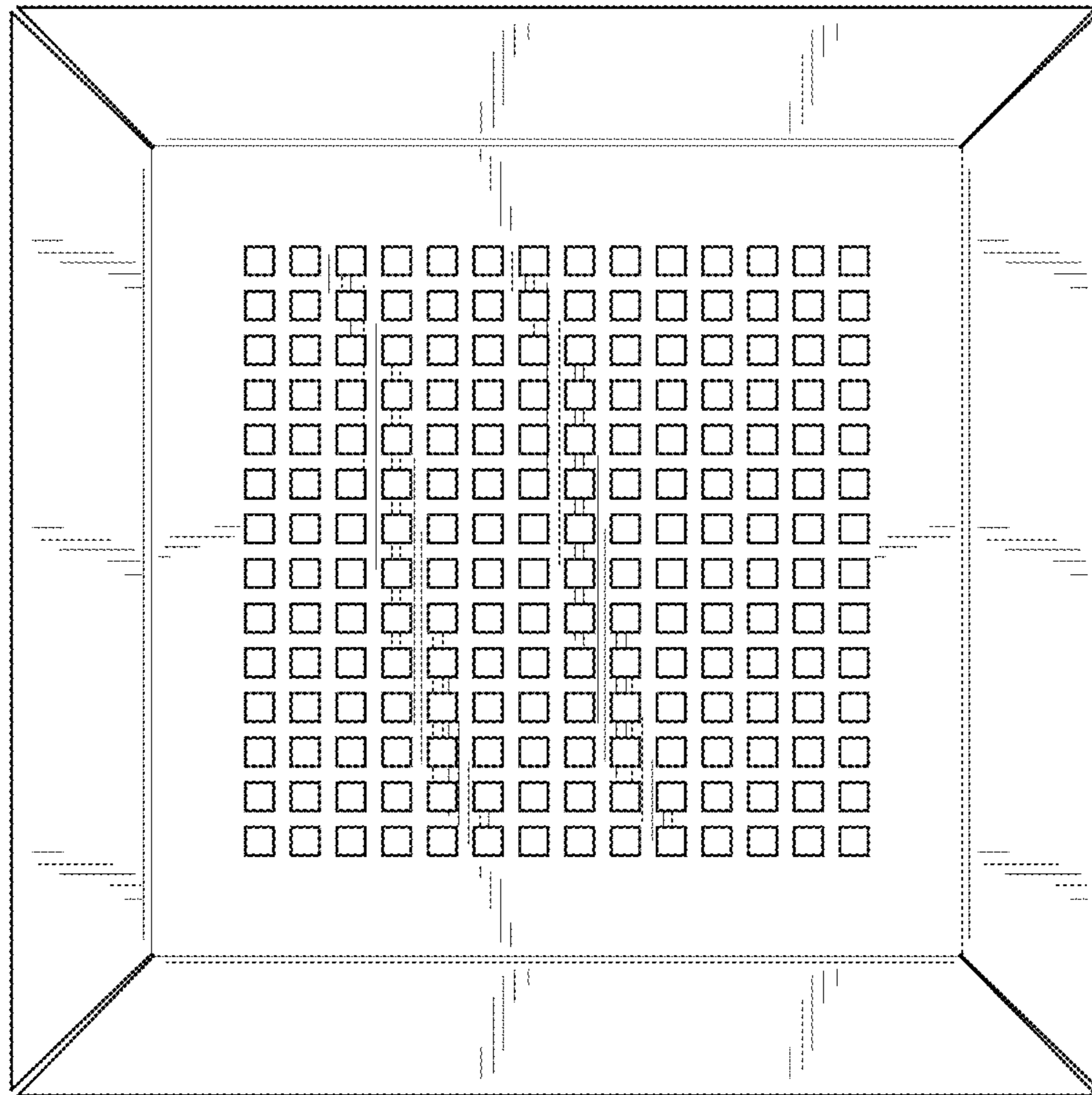
**FIG. 5**



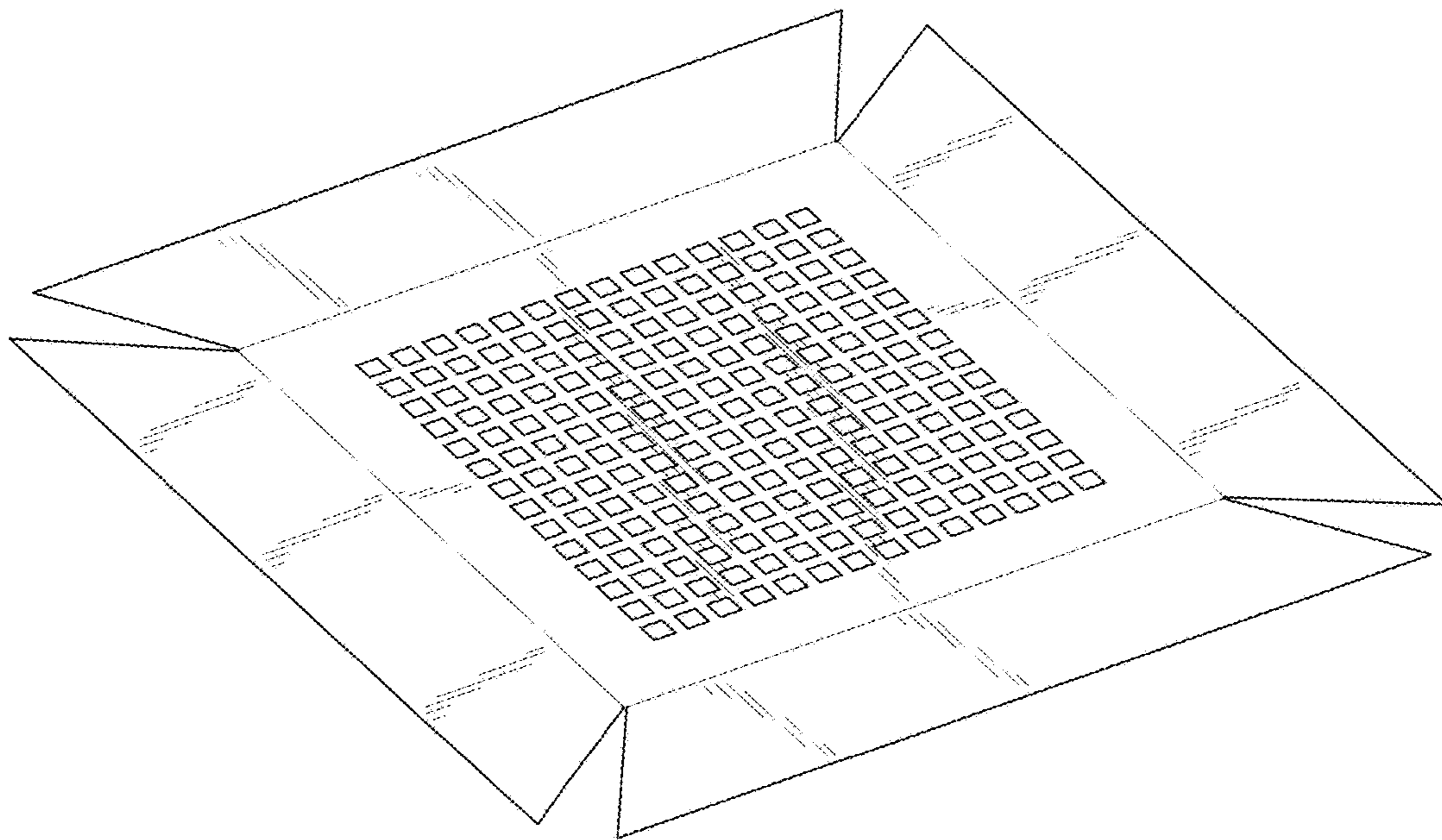
**FIG. 6**



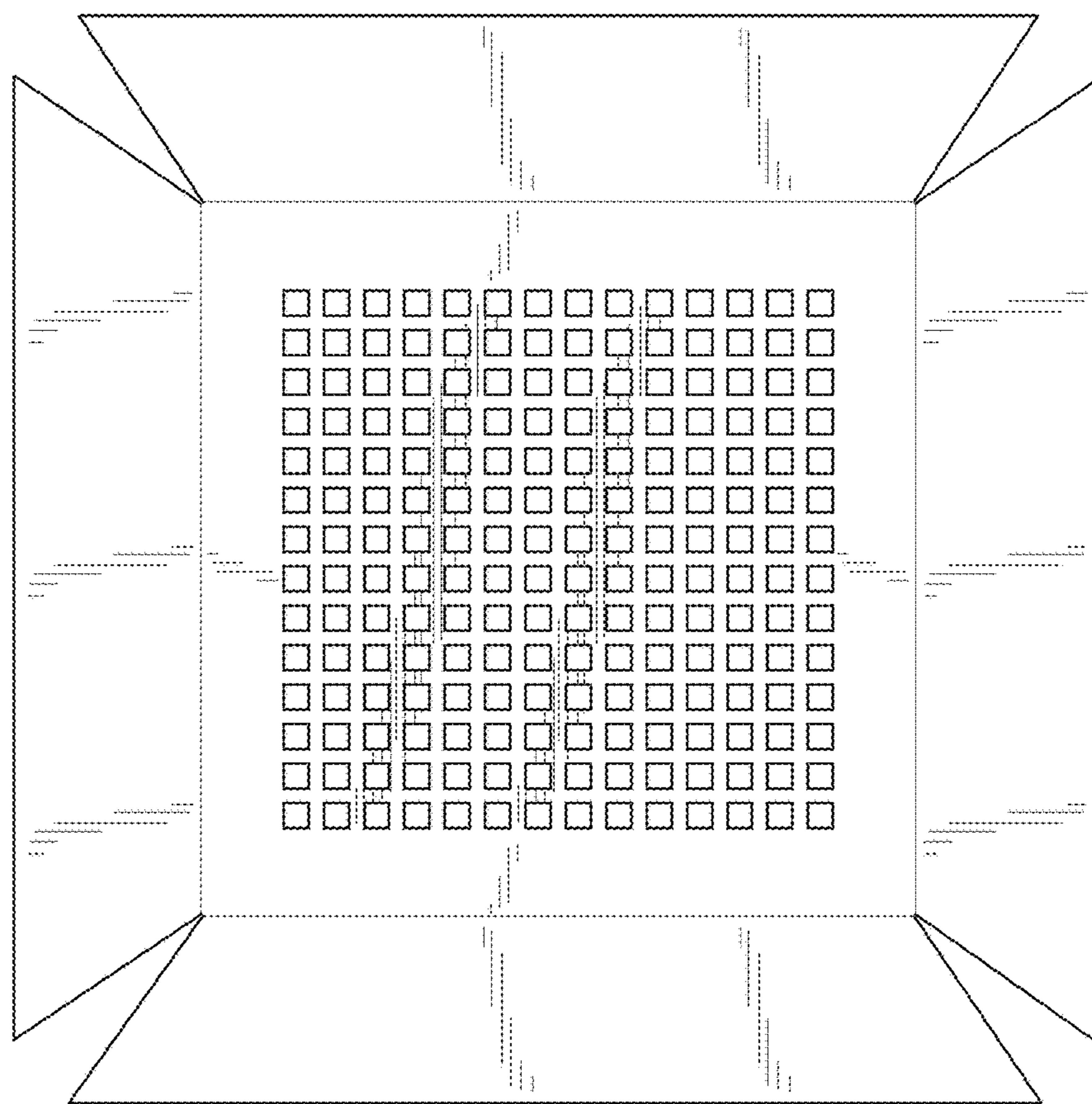
**FIG. 7**



**FIG. 8**

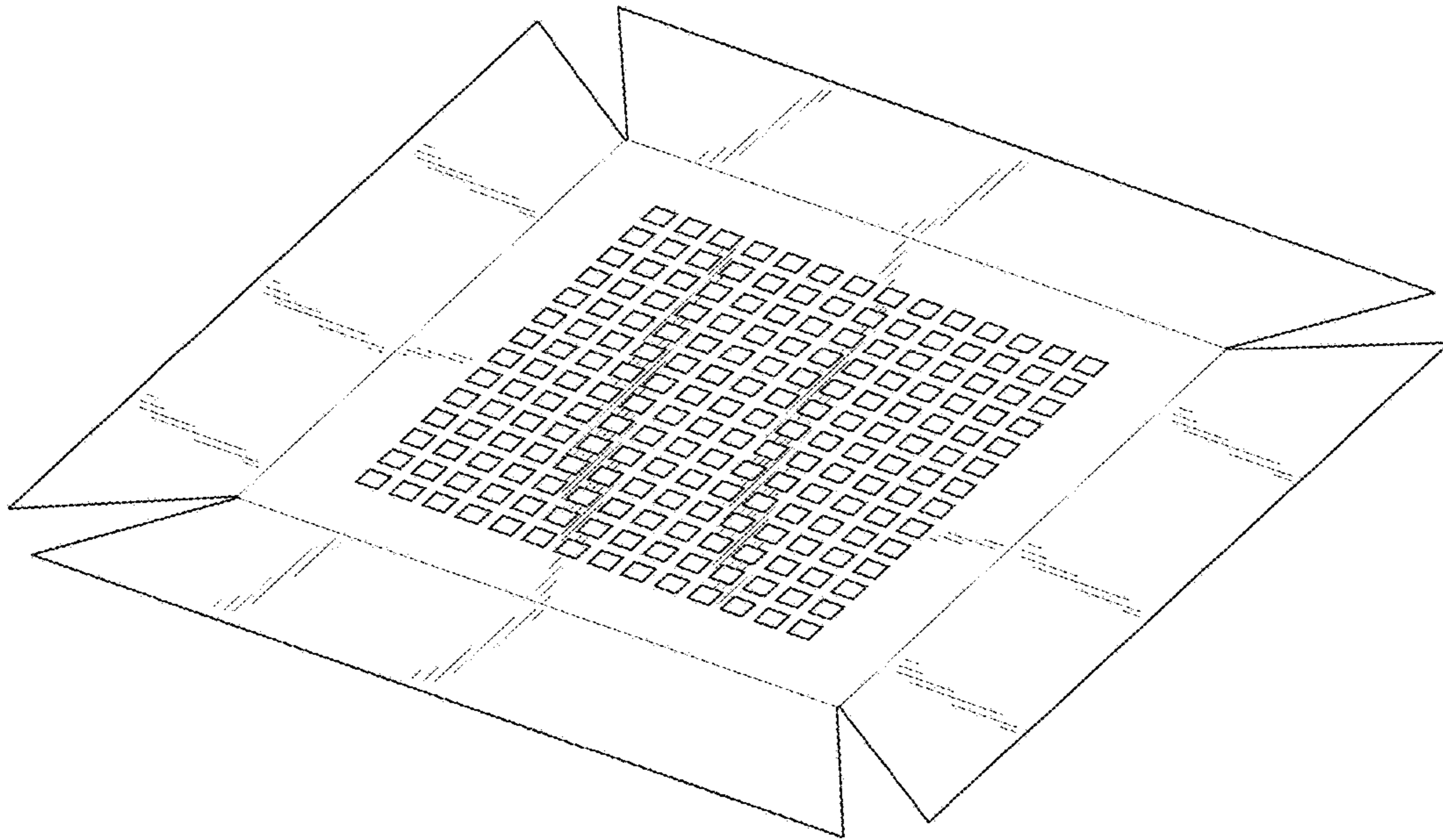


**FIG. 9**

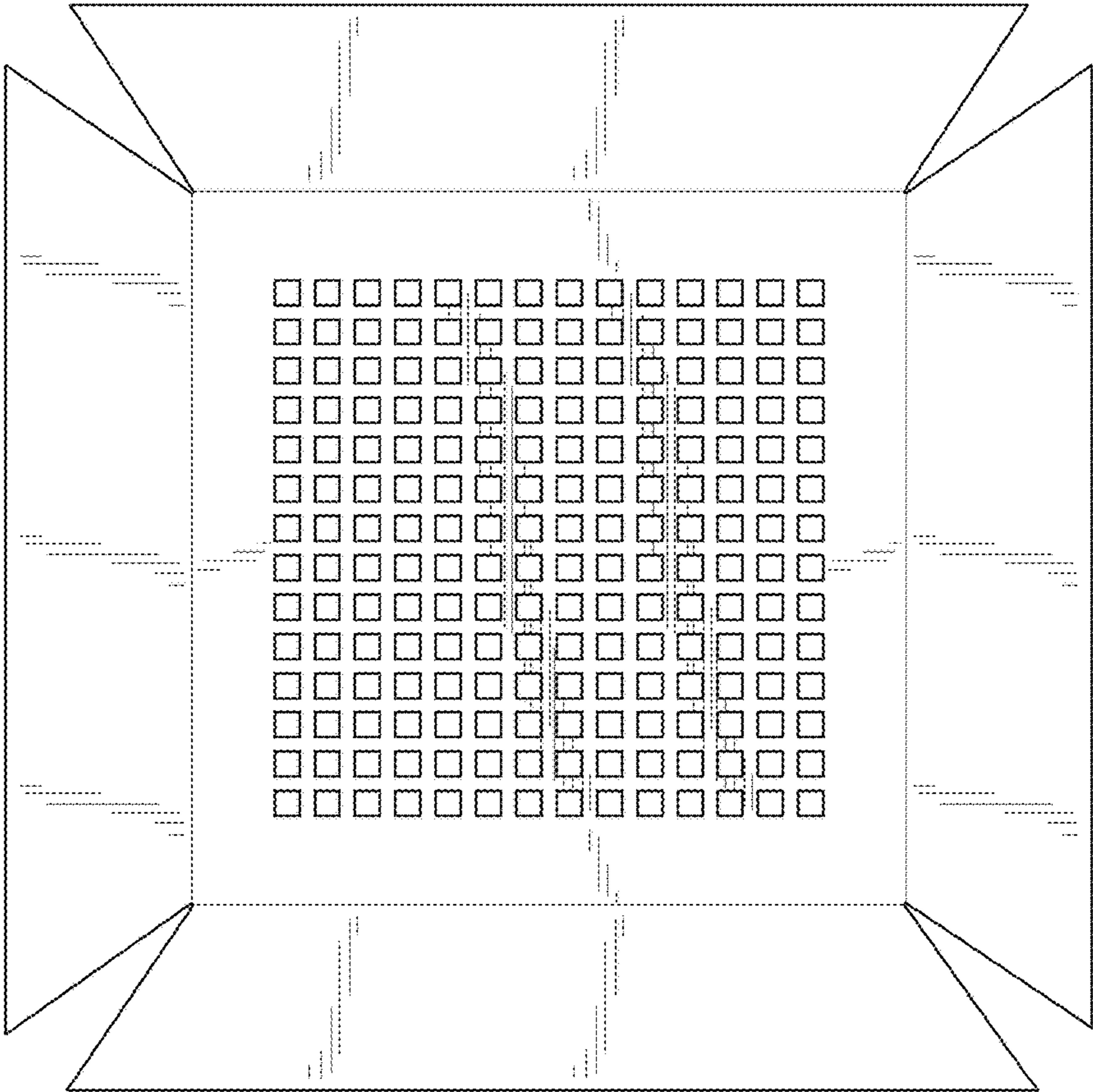


**FIG. 10**





**FIG. 11**



**FIG. 12**