



US00D783903S

(12) **United States Design Patent**
Kaidi et al.

(10) **Patent No.:** **US D783,903 S**
(45) **Date of Patent:** **** Apr. 11, 2017**

(54) **SINGLE BLADE NAIL CLIPPER**

(71) Applicants: **Alexandre Rachid Kaidi**, Napa, CA (US); **Hamid Reza Shamsapour**, San Rafael, CA (US); **Risto Aadolf Rinne, Jr.**, Nicasio, CA (US)

(72) Inventors: **Alexandre Rachid Kaidi**, Napa, CA (US); **Hamid Reza Shamsapour**, San Rafael, CA (US); **Risto Aadolf Rinne, Jr.**, Nicasio, CA (US)

(**) Term: **15 Years**

(21) Appl. No.: **29/505,822**

(22) Filed: **Feb. 23, 2016**

(51) **LOC (10) Cl.** **28-03**

(52) **U.S. Cl.**
USPC **D28/60**

(58) **Field of Classification Search**
USPC 132/75.3-75.5; 30/28; D28/60
CPC . A45D 29/02; A45D 29/023; A45D 2029/026
See application file for complete search history.

(56) **References Cited**

U.S. PATENT DOCUMENTS

- 4,130,937 A * 12/1978 Kim A45D 29/023
30/28
- D309,038 S * 7/1990 Ladora D28/60
- D313,874 S * 1/1991 Schulz D28/60
- 5,131,146 A * 7/1992 Leininger A45D 29/023
132/75.5
- 5,190,335 A * 3/1993 Rommerdale A45D 29/02
294/99.2
- D347,296 S * 5/1994 Adelman D28/60
- 6,009,880 A * 1/2000 Weidlich A45D 29/023
132/73
- D497,221 S * 10/2004 Yeung D28/60

- D523,175 S * 6/2006 Kriser D28/60
- D554,289 S * 10/2007 Johnson D28/60
- D562,499 S * 2/2008 Park D28/60
- D581,098 S * 11/2008 Fiene D28/60
- D584,453 S * 1/2009 Rollo D28/60
- D629,566 S * 12/2010 Vicari D28/60
- 7,954,242 B1 * 6/2011 Brizan A45D 29/02
132/75.5
- 8,683,700 B1 * 4/2014 Kaidi A45D 29/02
30/175

(Continued)

Primary Examiner — Jennifer Rivard

(74) *Attorney, Agent, or Firm* — Risto A. Rinne, Jr.

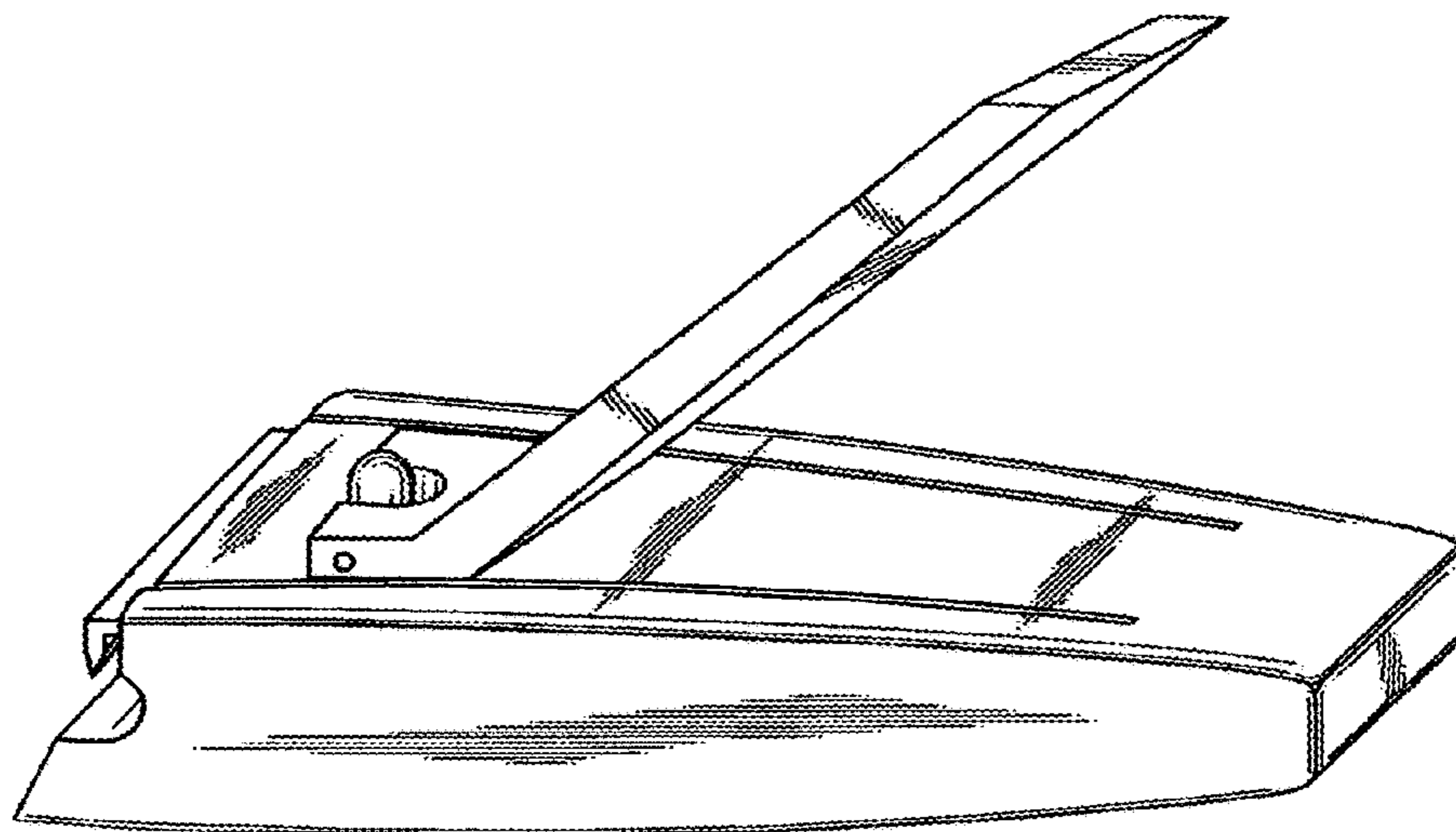
(57) **CLAIM**

The ornamental design for a single blade nail clipper, as shown and described.

DESCRIPTION

FIG. 1 is a perspective view of our new design showing a single blade nail clipper in an open position;
 FIG. 2 is a front view of the single blade nail clipper of FIG. 1;
 FIG. 3 is a rear view of the single blade nail clipper of FIG. 1;
 FIG. 4 is a left side view of the single blade nail clipper FIG. 1;
 FIG. 5 is a right side view of the single blade nail clipper of FIG. 1;
 FIG. 6 is a top view of the single blade nail clipper of FIG. 1;
 FIG. 7 is a bottom view of the single blade nail clipper of FIG. 1;
 FIG. 8 is a front view of the single blade nail clipper of FIG. 1 in a closed position; and,
 FIG. 9 is a right side view of the single blade nail clipper of FIG. 1 in a storage position.

1 Claim, 9 Drawing Sheets



(56)

References Cited

U.S. PATENT DOCUMENTS

8,726,516	B2 *	5/2014	Han	A45D 29/02 30/28
8,984,754	B1 *	3/2015	Kaidi	A45D 29/02 30/28
9,192,218	B1 *	11/2015	Kaidi	A45D 29/02
2005/0092339	A1 *	5/2005	Laukala	A45D 29/023 132/75
2008/0000088	A1 *	1/2008	Casillas	A45D 29/02 30/28
2009/0211098	A1 *	8/2009	Childs, II	A45D 29/02 30/28
2010/0071213	A1 *	3/2010	Kim	A45D 29/02 30/28
2011/0154667	A1 *	6/2011	Farris	A45D 29/02 30/28
2011/0219619	A1 *	9/2011	Kong	A45D 29/02 30/29
2012/0210583	A1 *	8/2012	Han	A45D 29/02 30/28

* cited by examiner

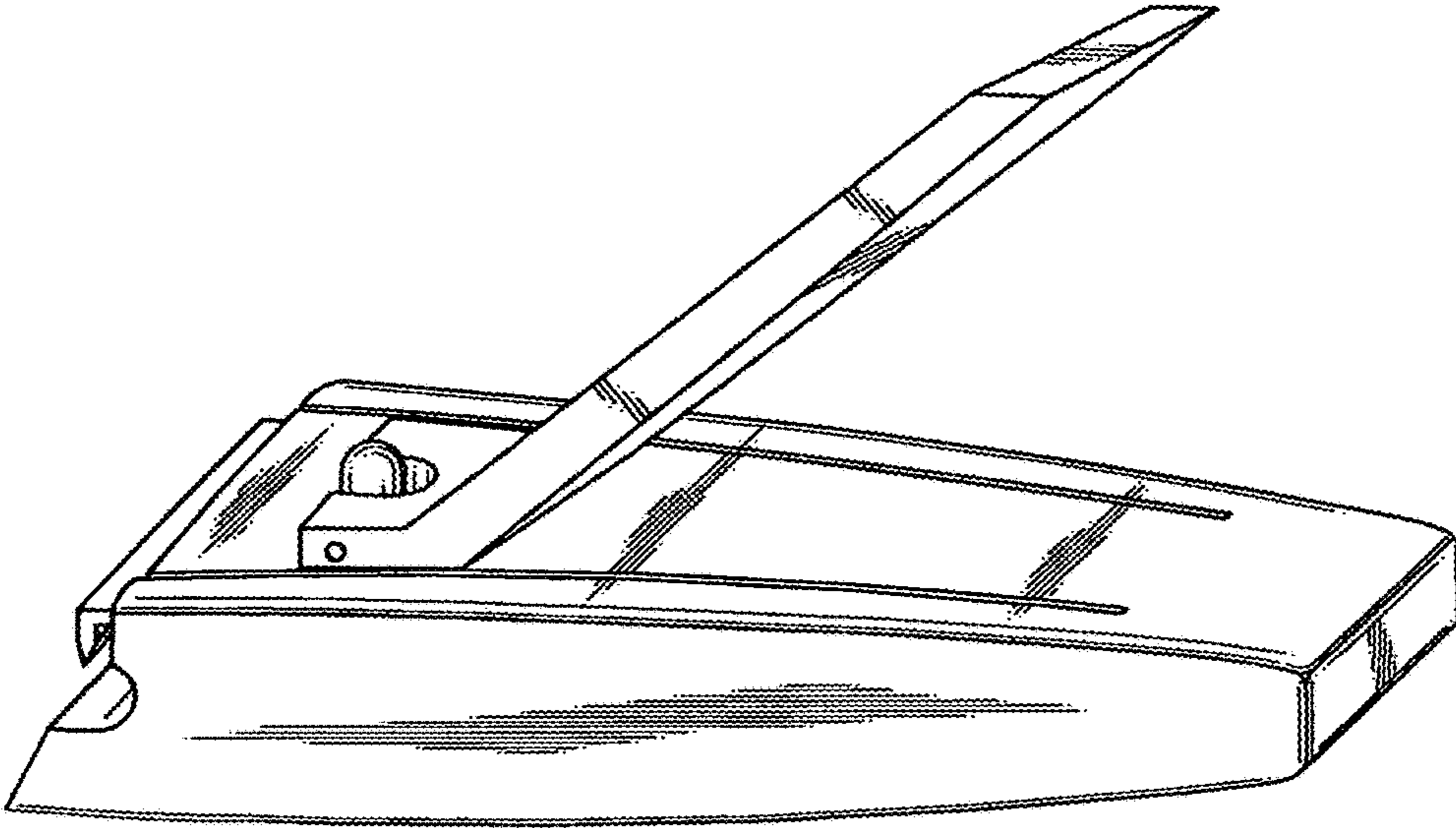


FIG. 1

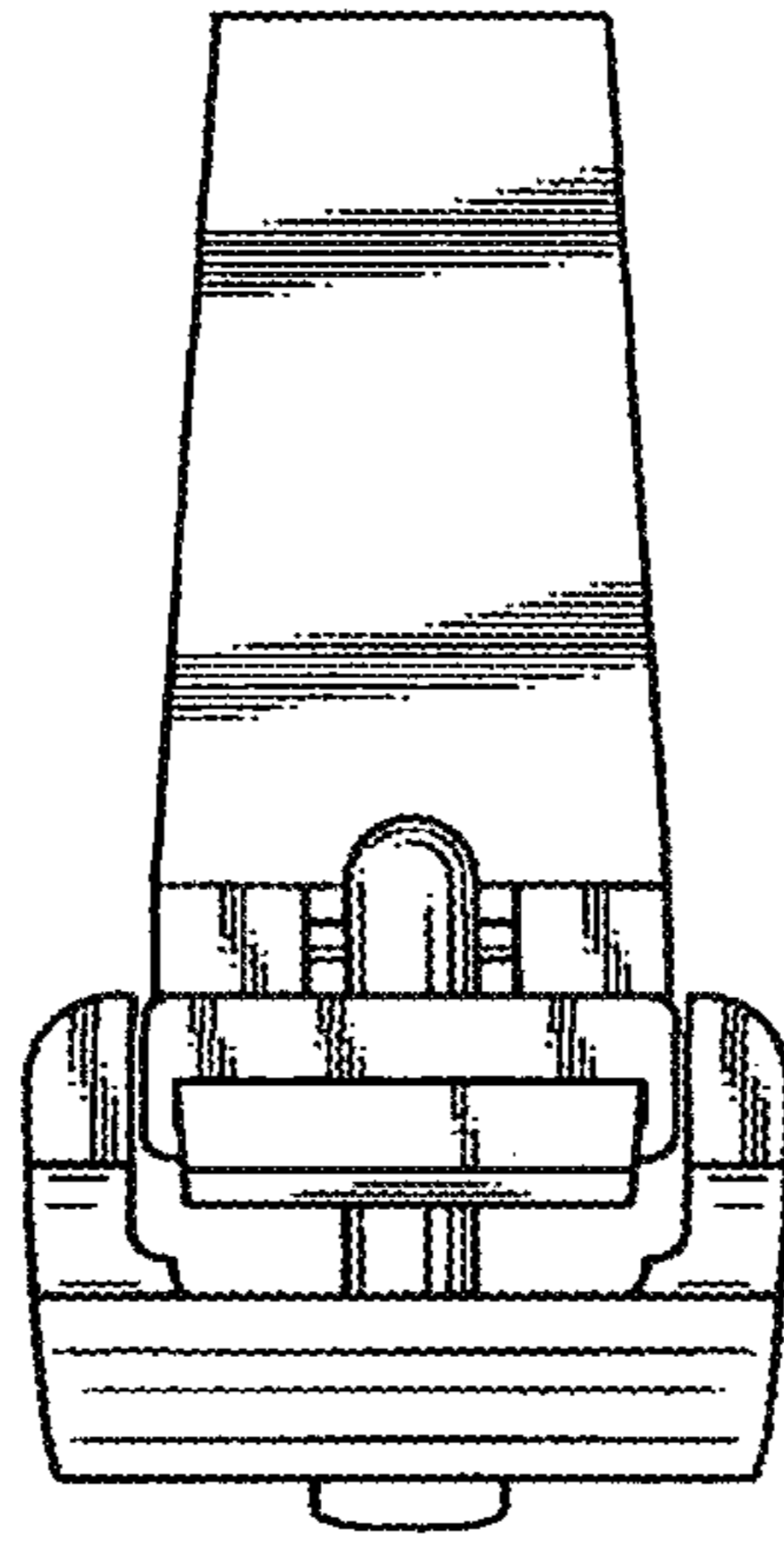


FIG. 2

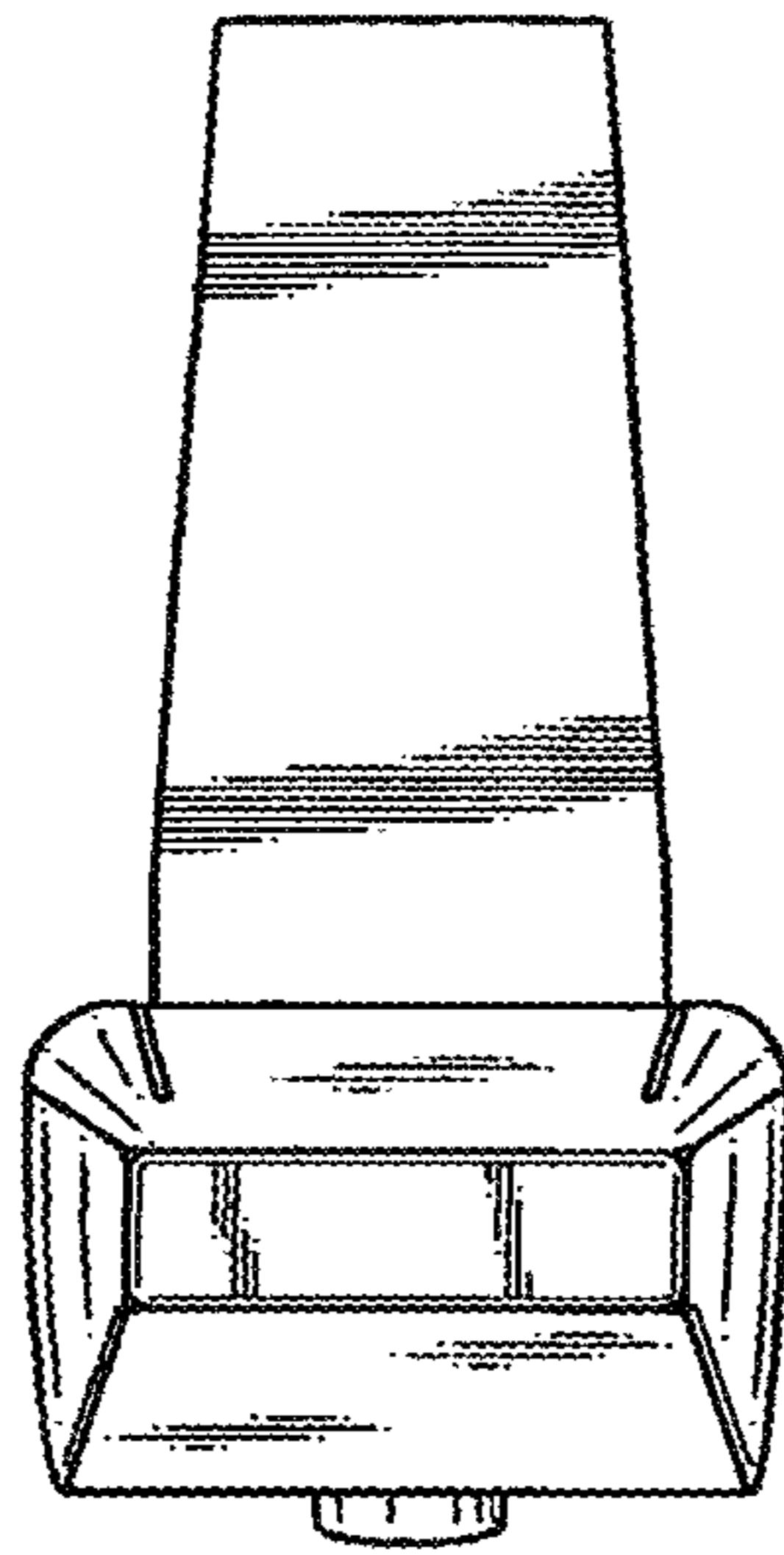


FIG. 3

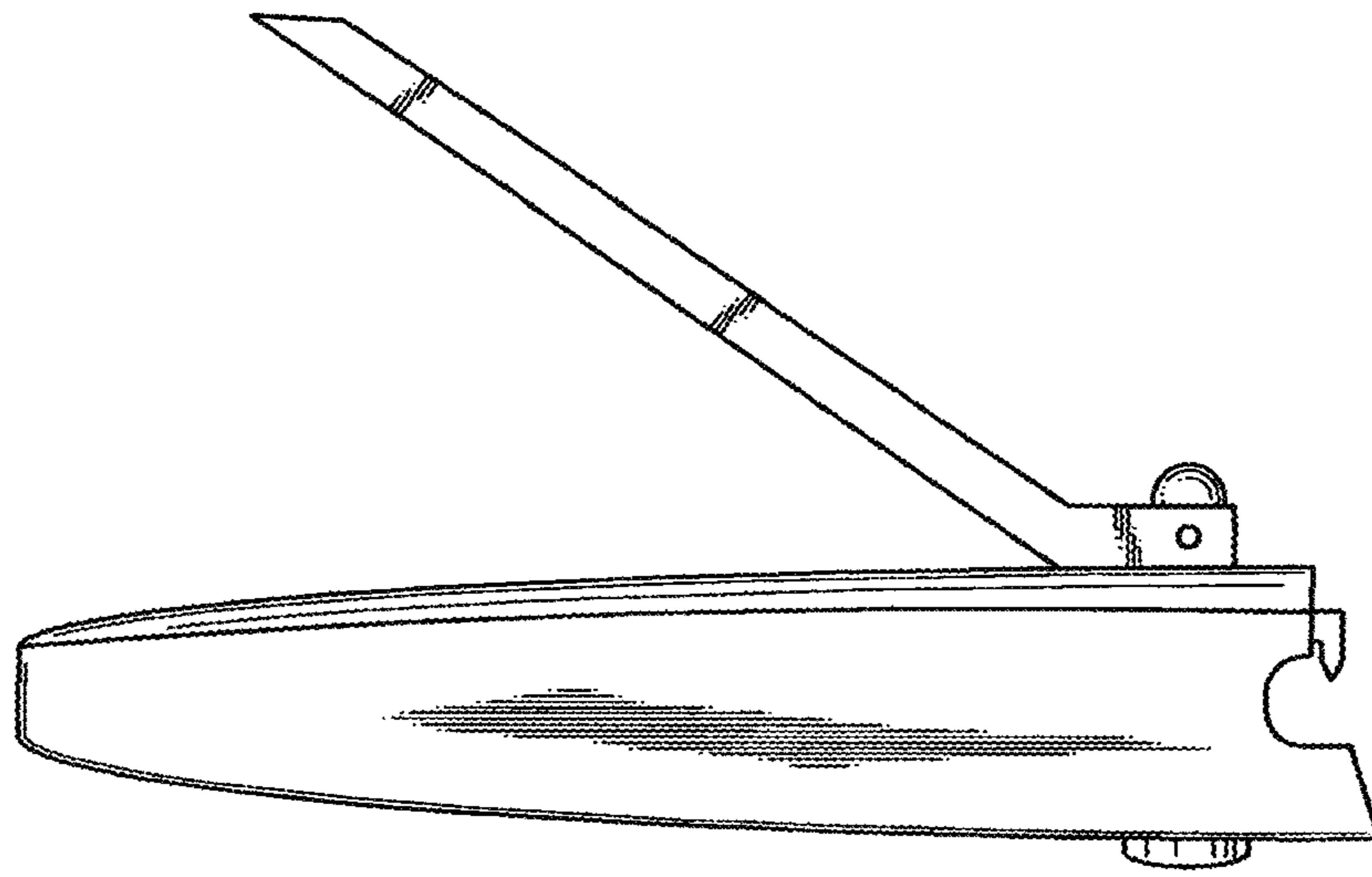


FIG.4

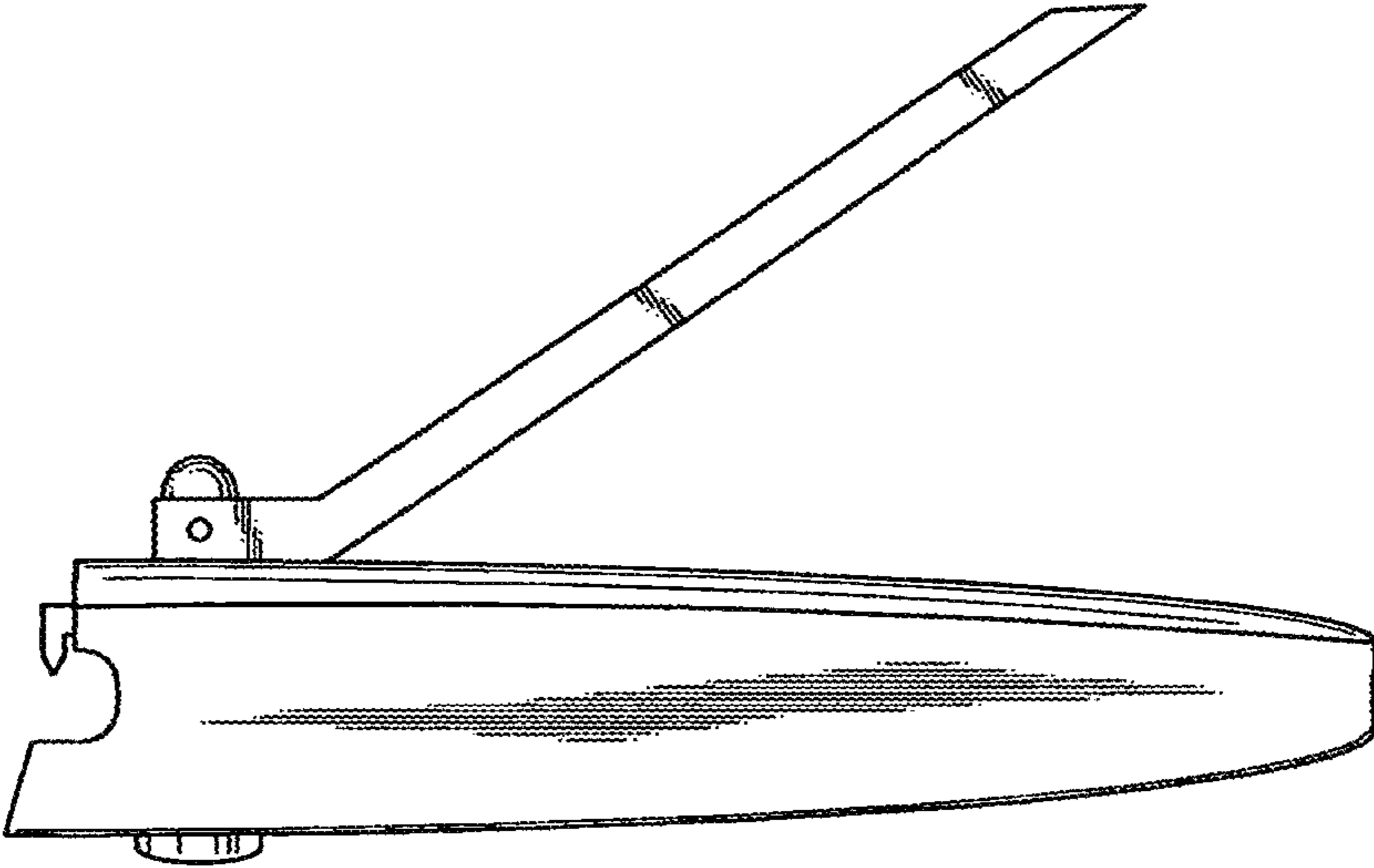


FIG.5

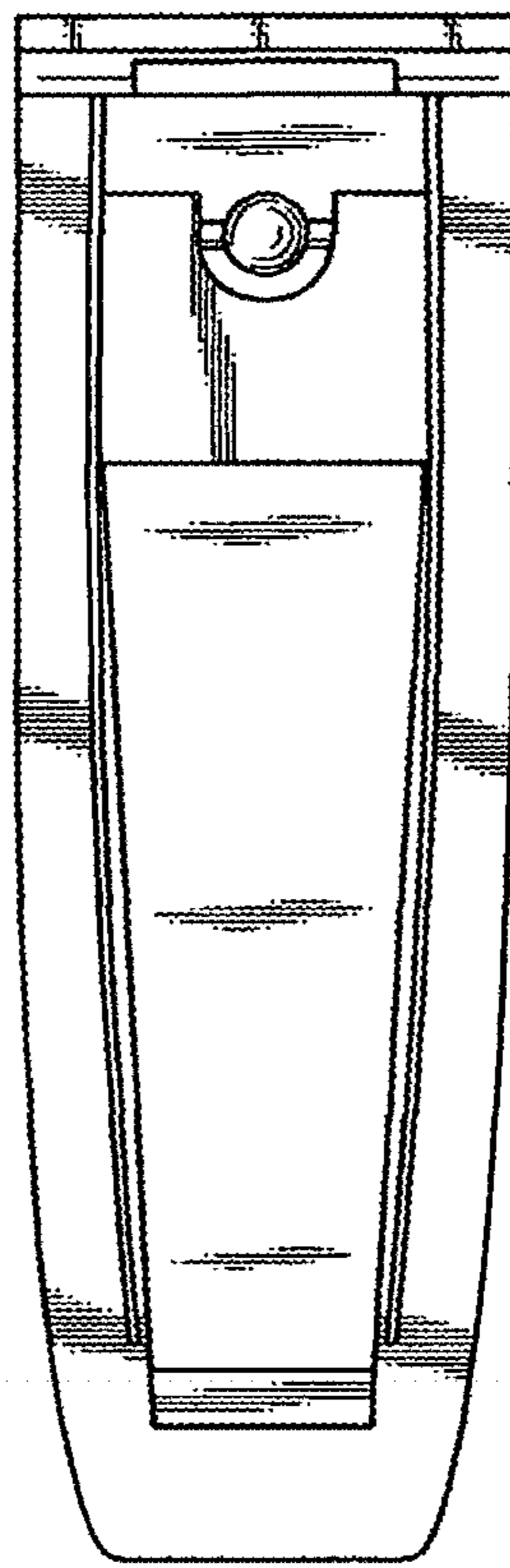


FIG.6

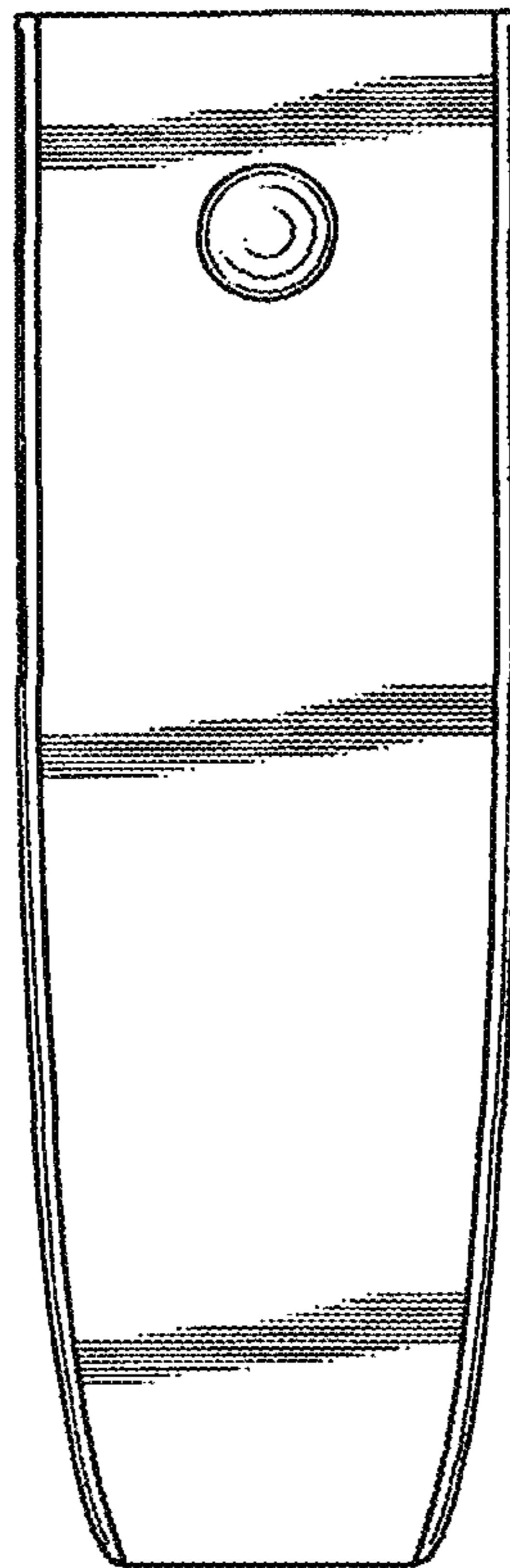


FIG.7

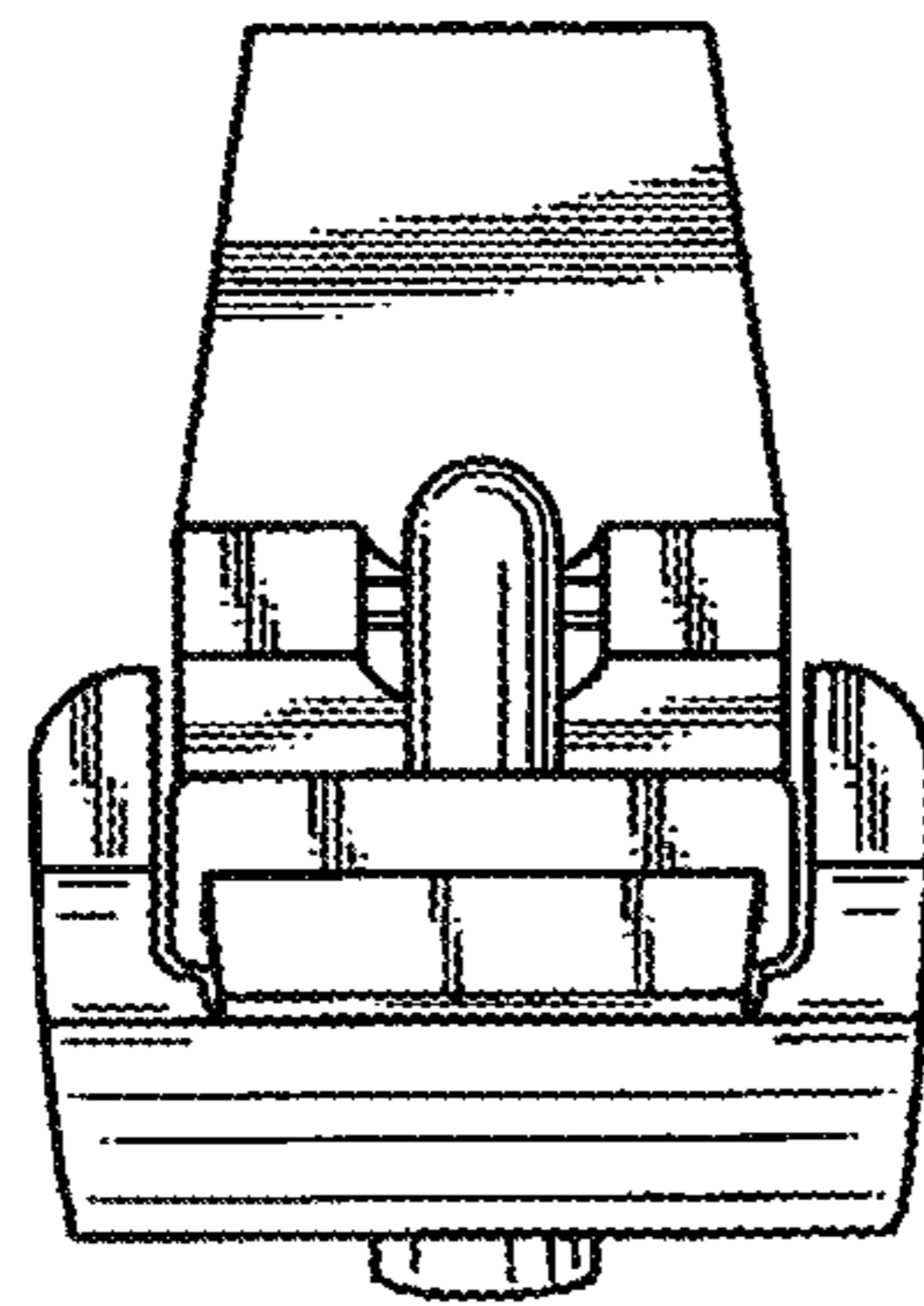


FIG.8

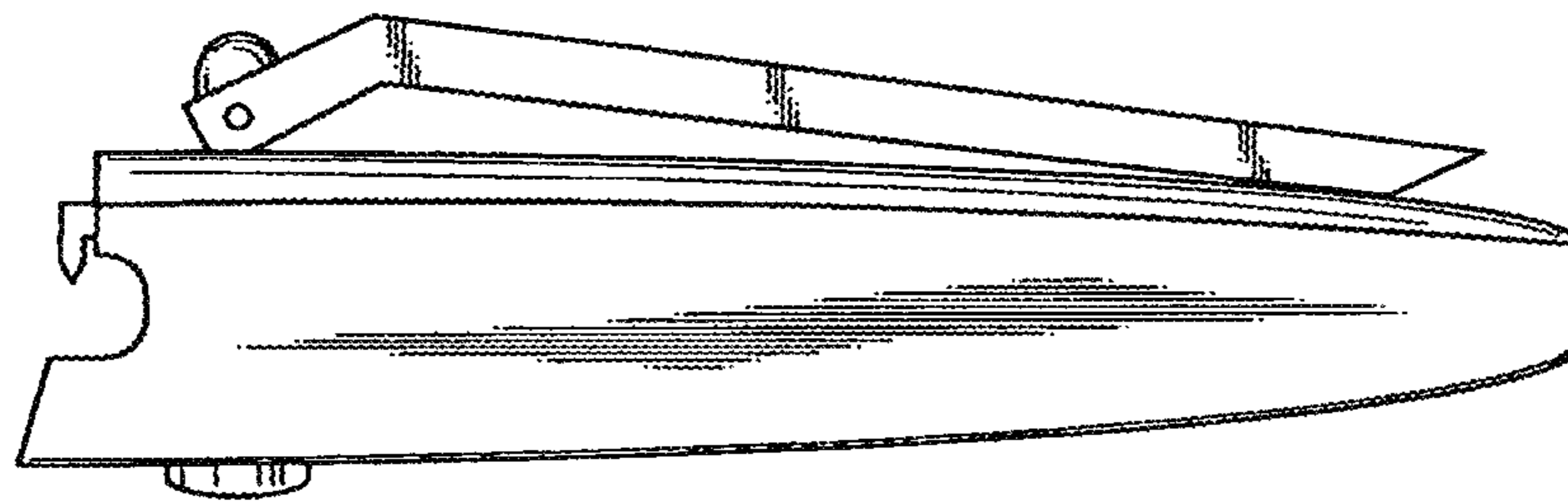


FIG.9