



US00D783898S

(12) **United States Design Patent**  
**Gonzalez et al.**

(10) **Patent No.: US D783,898 S**  
(45) **Date of Patent: \*\* Apr. 11, 2017**

(54) **HAIR STYLING IRON**

(71) Applicants: **Adrian Gonzalez**, El Paso, TX (US);  
**Gary Koenemann**, El Paso, TX (US)

(72) Inventors: **Adrian Gonzalez**, El Paso, TX (US);  
**Gary Koenemann**, El Paso, TX (US)

(73) Assignee: **HELEN OF TROY LIMITED**, St.  
Michael (BB)

(\*\*) Term: **15 Years**

(21) Appl. No.: **29/569,873**

(22) Filed: **Jun. 30, 2016**

(51) **LOC (10) Cl.** ..... **28-03**

(52) **U.S. Cl.**  
USPC ..... **D28/35**

(58) **Field of Classification Search**  
USPC ..... D28/35, 10  
CPC ... A45D 1/00–1/28; A45D 2/00; A45D 2/001;  
A45D 2/002; A45D 2/02; A45D 2/04;  
A45D 2/06; A45D 2/08; A45D 2/10;  
A45D 2/12–2/22; A45D 2/24–2/34; A45D  
2/36–2/367  
See application file for complete search history.

(56) **References Cited**

**U.S. PATENT DOCUMENTS**

D306,358 S \* 2/1990 Rizzuto ..... D28/35  
D767,202 S \* 9/2016 Gonzalez ..... D28/35

D767,203 S \* 9/2016 Gonzalez ..... D28/35  
2014/0076351 A1 \* 3/2014 Debenedictis ..... A45D 2/00  
132/223  
2014/0216493 A1 \* 8/2014 Hadden ..... A45D 20/50  
132/223  
2015/0305467 A1 \* 10/2015 Morris ..... A45D 2/125  
132/227

\* cited by examiner

*Primary Examiner* — Jennifer Rivard

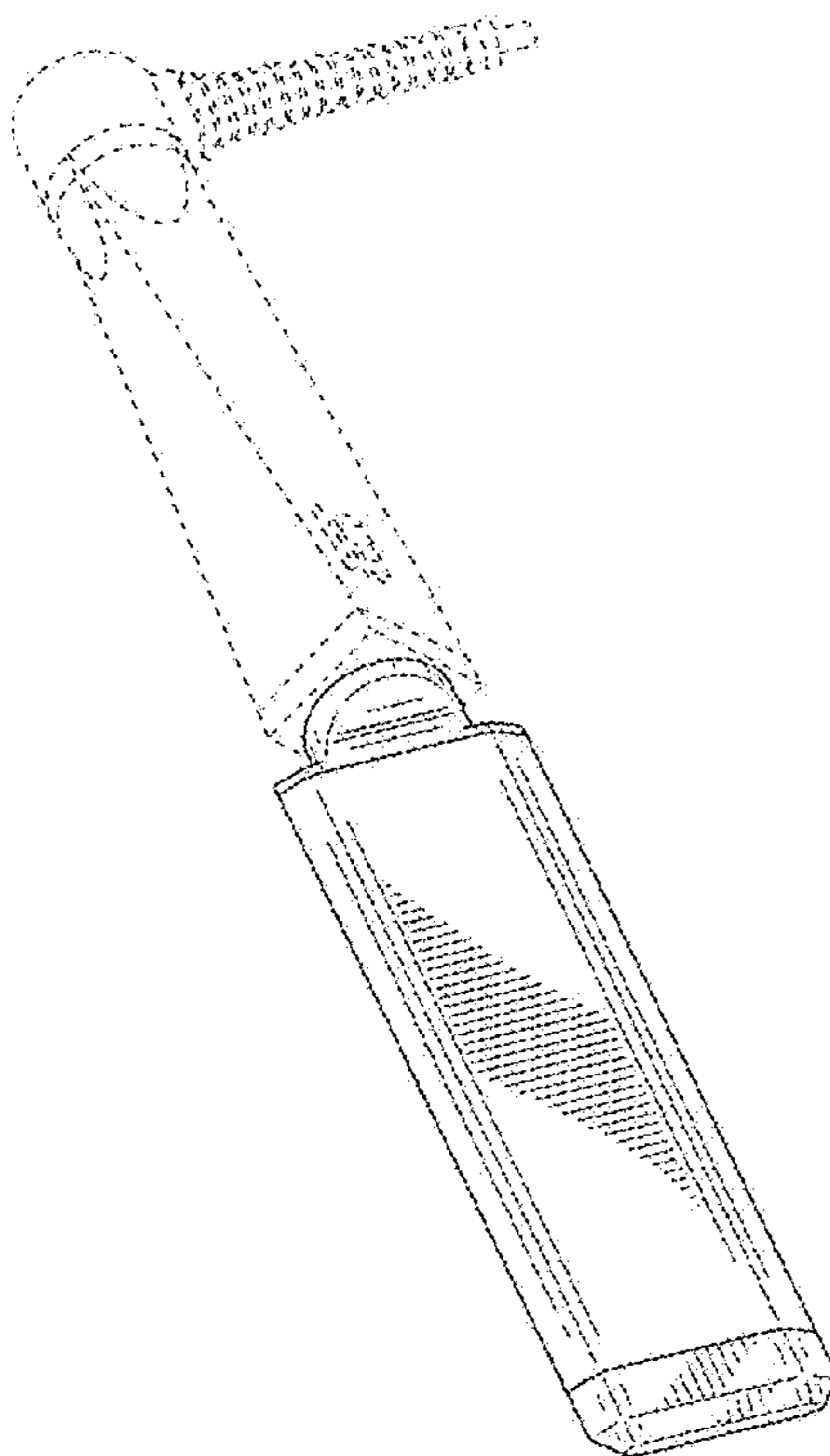
(57) **CLAIM**

The ornamental design for a hair styling iron, as shown, and described.

**DESCRIPTION**

FIG. 1 is a perspective view of the hair styling iron;  
FIG. 2 is a right side view of the hair styling iron;  
FIG. 3 is a left side view of the hair styling iron;  
FIG. 4 is a top view of the hair styling iron;  
FIG. 5 is a bottom view of the hair styling iron;  
FIG. 6 is a front view of the hair styling iron; and,  
FIG. 7 is a rear view of the hair styling iron.  
The broken lines depicting a styling iron handle form no part of the claimed design.

**1 Claim, 7 Drawing Sheets**



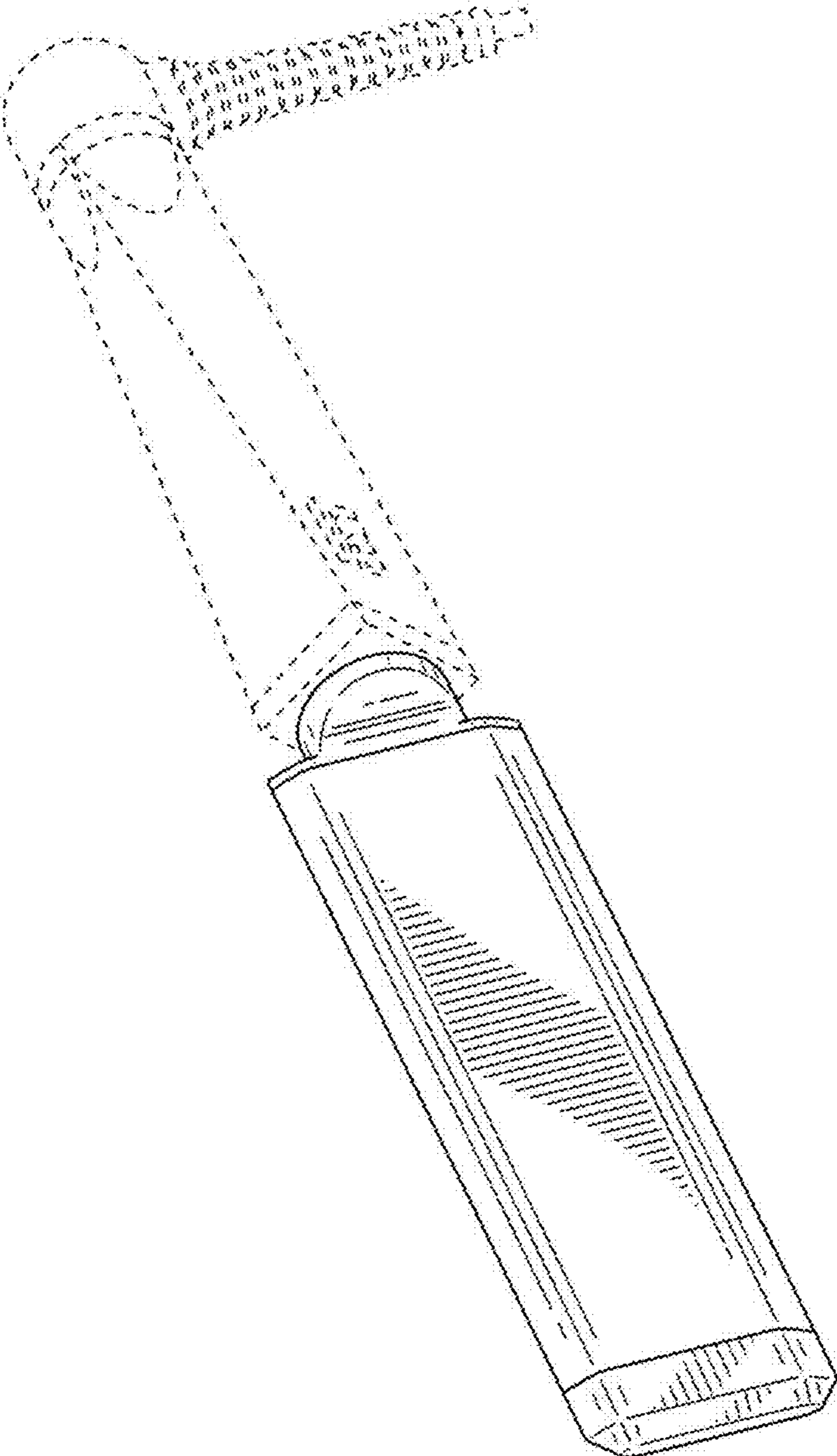


Figure 1

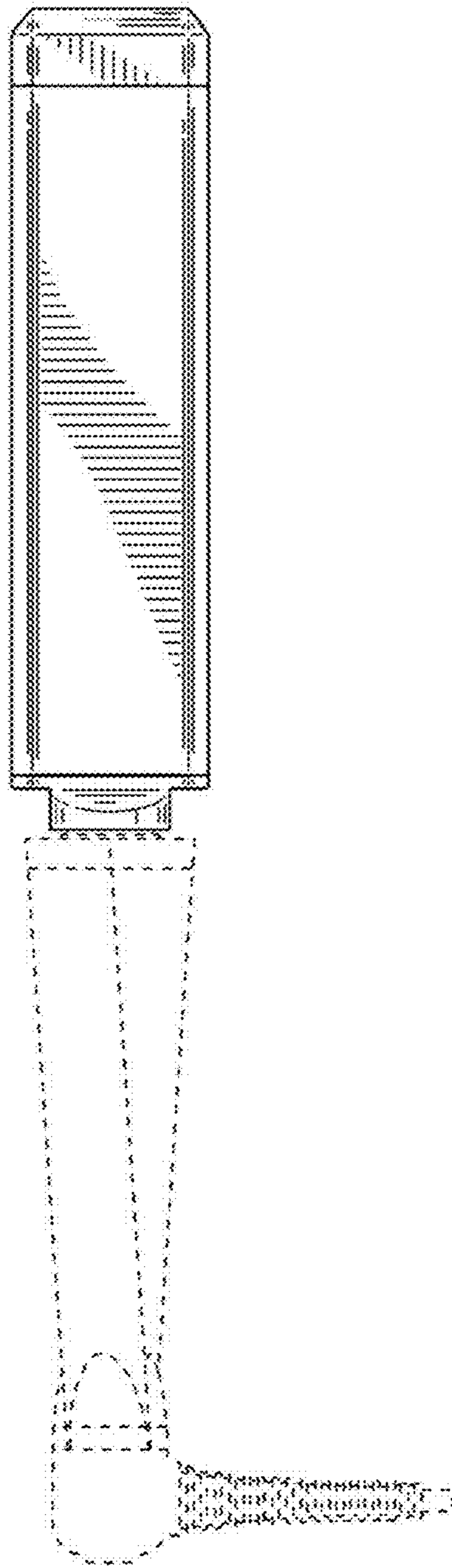


Figure 2

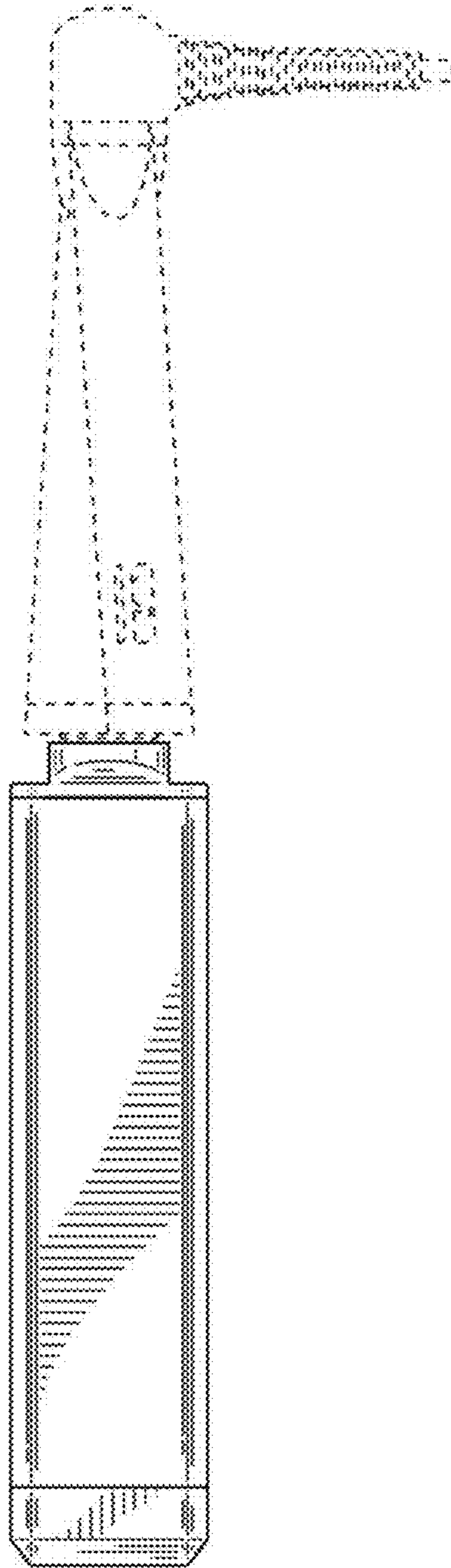


Figure 3

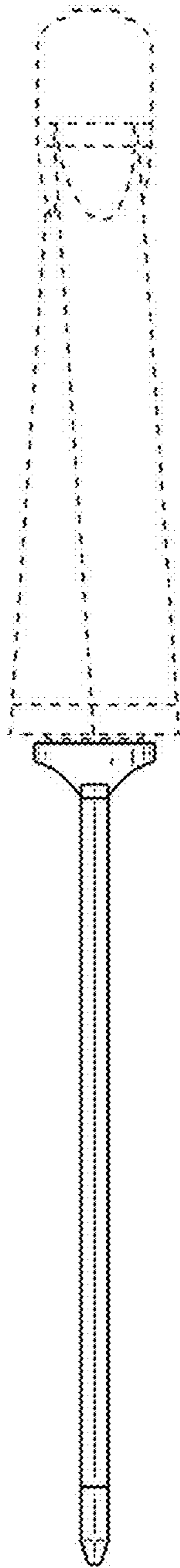


Figure 4

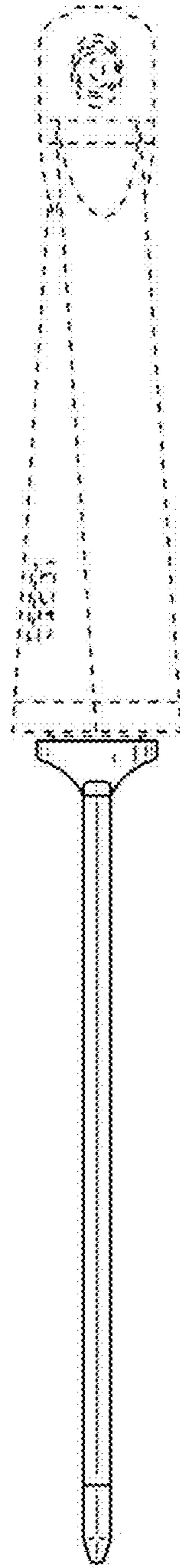


Figure 5

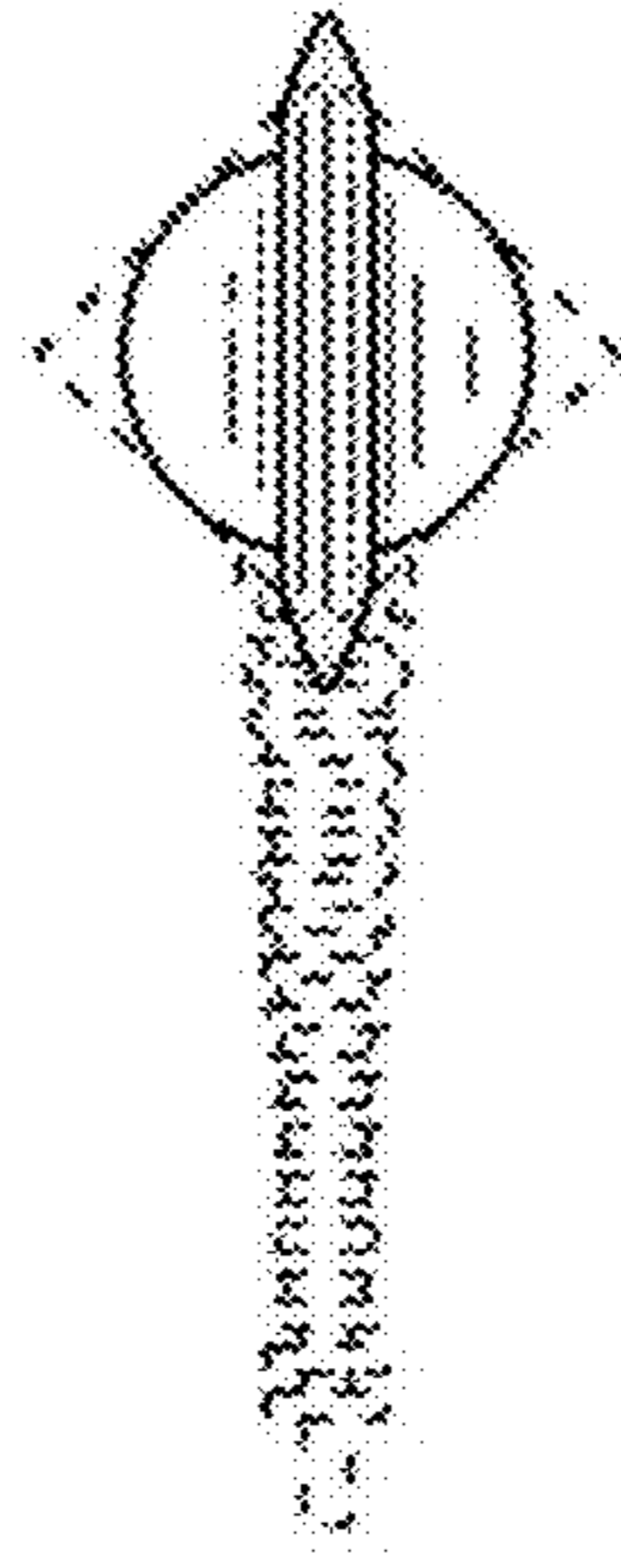


Figure 6

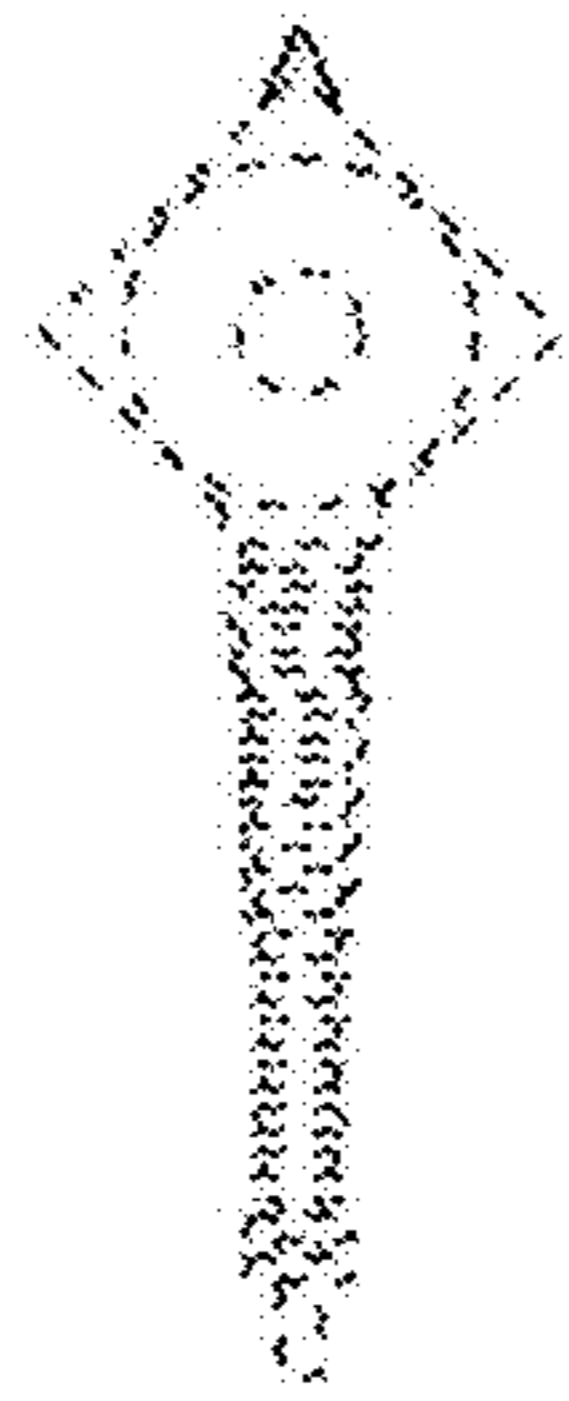


Figure 7