



US00D783892S

(12) **United States Design Patent** (10) **Patent No.:** **US D783,892 S**  
**Peng** (45) **Date of Patent:** **\*\* Apr. 11, 2017**

(54) **LAMP HOLDER HOUSING**

(74) *Attorney, Agent, or Firm* — Alan D. Kamrath;  
Kamrath IP Lawfirm, P.A.

(71) Applicant: **Rich Brand Industries Limited,**  
Dongguan, Guangdong Province (CN)

(57) **CLAIM**

(72) Inventor: **Te-Shui Peng,** Taoyuan (TW)

The ornamental design for a lamp holder housing, as shown  
and described.

(73) Assignee: **Rich Brand Industries Limited,**  
Dongguan (CN)

**DESCRIPTION**

(\*\*) Term: **15 Years**

(21) Appl. No.: **29/546,717**

(22) Filed: **Nov. 25, 2015**

(51) **LOC (10) Cl.** ..... **26-99**

(52) **U.S. Cl.**  
USPC ..... **D26/138**

(58) **Field of Classification Search**  
USPC ..... D26/64, 66, 138-139, 26-28, 72, 74-76,  
D26/81-82, 106, 109, 113, 118, 142;  
D13/110, 123, 133, 135, 137, 138, 199  
CPC ..... H01R 25/00; H01R 25/14; H01R 25/142;  
F21V 23/0442; F21V 23/04; F21V  
15/013; F21V 21/005  
See application file for complete search history.

FIG. 1 is a perspective view of the lamp holder housing  
showing my new design;  
FIG. 2 is a front elevational view thereof;  
FIG. 3 is a rear elevational view thereof;  
FIG. 4 is a left side elevational view thereof;  
FIG. 5 is a right side elevational view thereof;  
FIG. 6 is a top plan view thereof;  
FIG. 7 is a bottom plan view thereof;  
FIG. 8 is a perspective view of the top cover portion of the  
lamp holder housing showing my new design, separated for  
ease of illustration;  
FIG. 9 is a front elevational view thereof;  
FIG. 10 is a rear elevational view thereof;  
FIG. 11 is a left side elevational view thereof;  
FIG. 12 is a right side elevational view thereof;  
FIG. 13 is a top plan view thereof;  
FIG. 14 is a bottom plan view thereof;  
FIG. 15 is a perspective view of the bottom holder portion  
of the lamp holder housing showing my new design, sepa-  
rated for ease of illustration;  
FIG. 16 is a front elevational view thereof;  
FIG. 17 is a rear elevational view thereof;  
FIG. 18 is a left side elevational view thereof;  
FIG. 19 is a right side elevational view thereof;  
FIG. 20 is a top plan view thereof; and,  
FIG. 21 is a bottom plan view.

The broken lines in the drawings depict portions of the lamp  
holder housing that form no part of the claimed design.

(56) **References Cited**

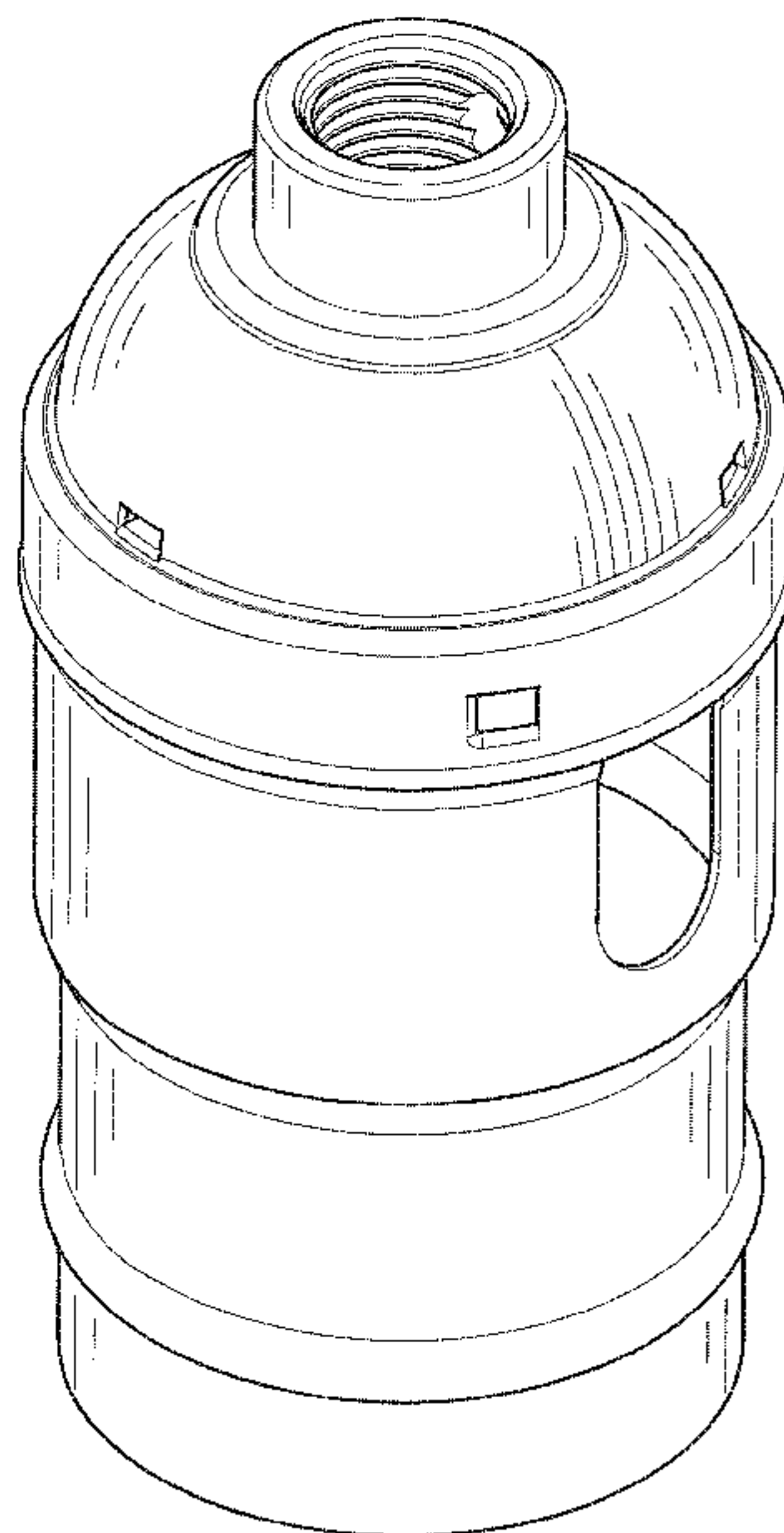
**U.S. PATENT DOCUMENTS**

D91,143 S \* 12/1933 Nero ..... D13/134  
2,583,916 A \* 1/1952 Wickman ..... F23D 3/00  
126/256  
2,599,419 A \* 6/1952 Stark ..... F21L 4/00  
362/185

(Continued)

*Primary Examiner* — Eric Goodman  
*Assistant Examiner* — Christopher J Matthews

**1 Claim, 14 Drawing Sheets**



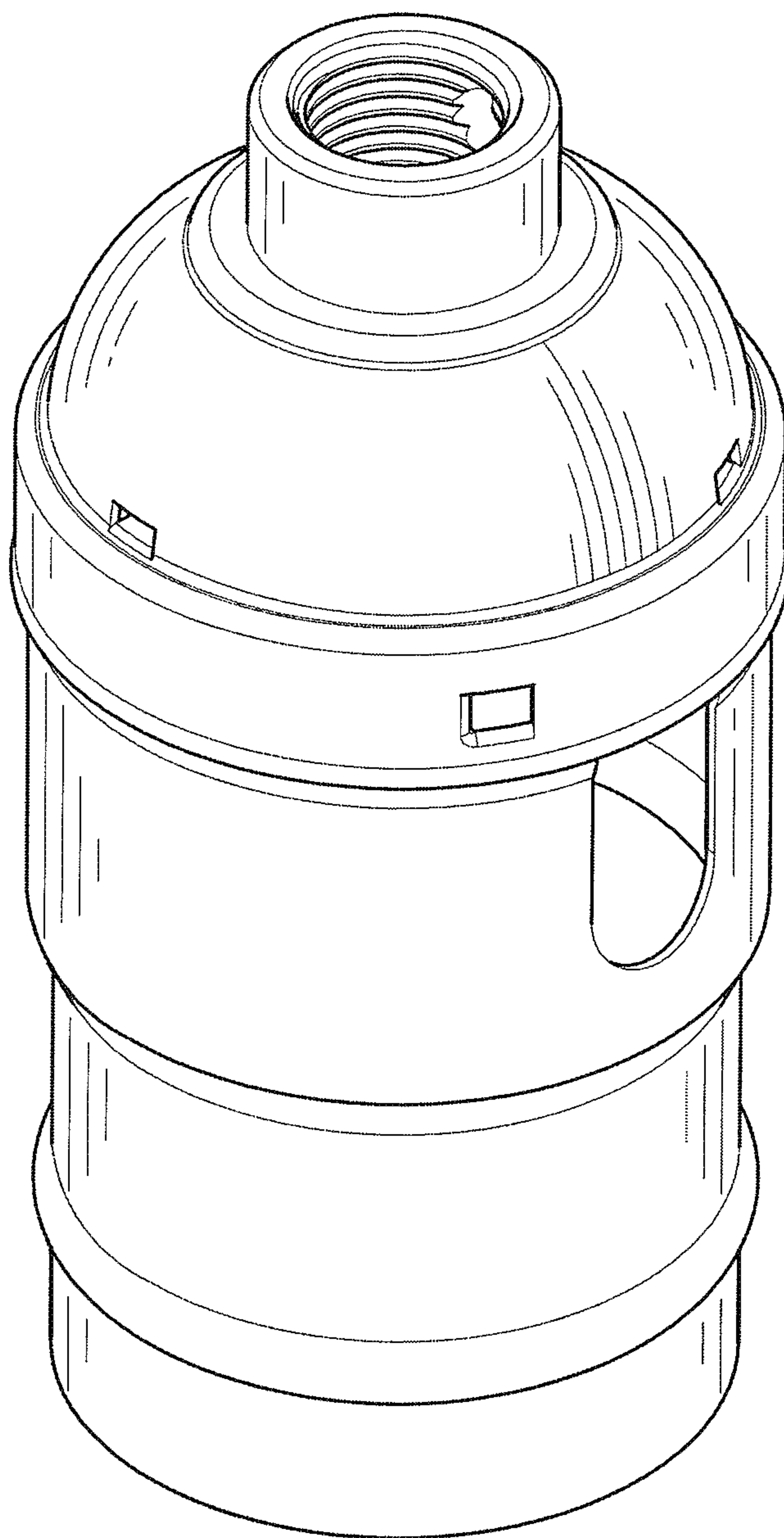
(56)

References Cited

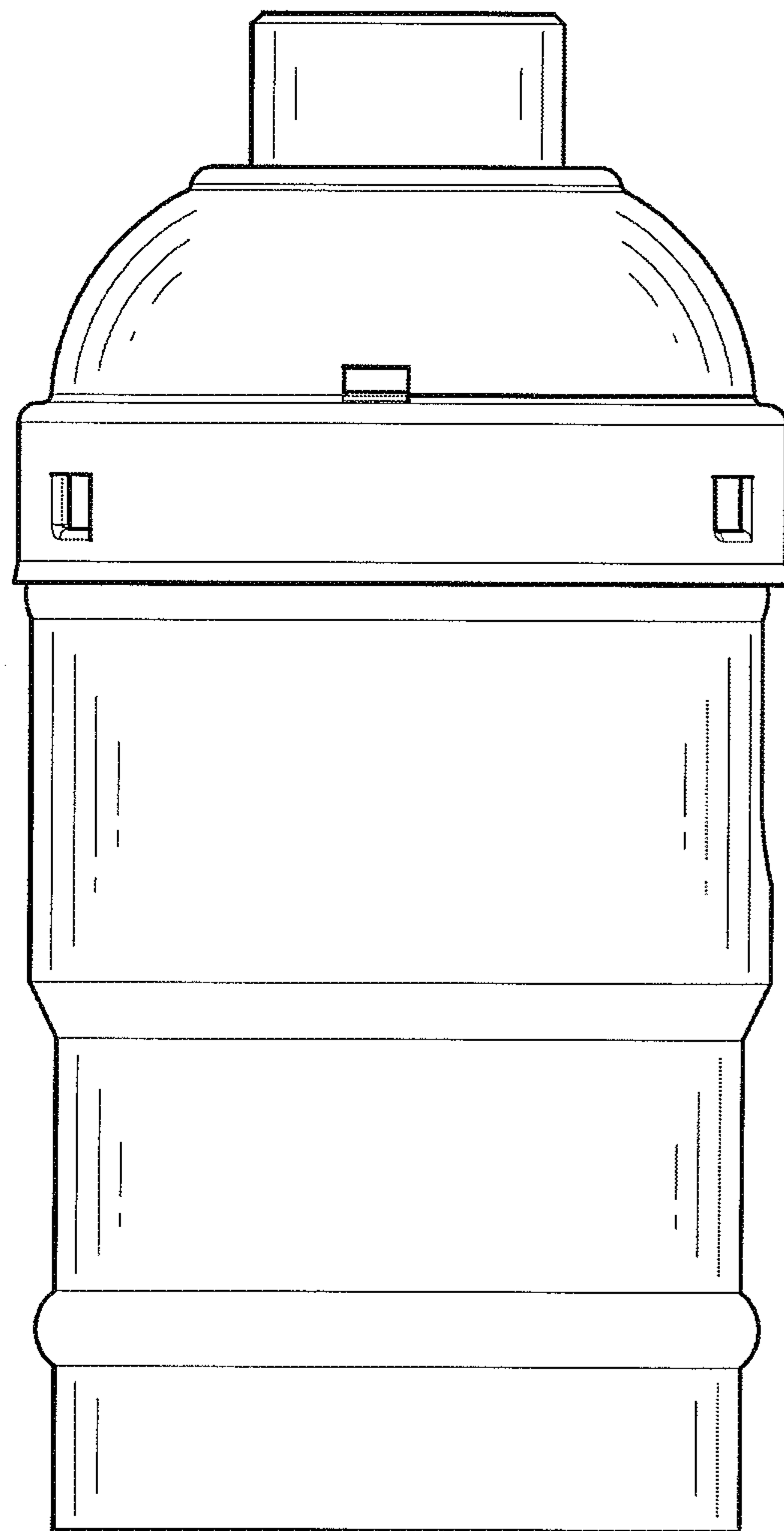
U.S. PATENT DOCUMENTS

D448,880 S \* 10/2001 Benghozi ..... D26/74  
D452,581 S \* 12/2001 Zakrzewski ..... D13/139.2  
6,555,750 B2 \* 4/2003 Kiely ..... H02G 3/0691  
174/50  
7,081,001 B1 \* 7/2006 Conroy ..... H01R 13/625  
439/314  
7,205,489 B2 \* 4/2007 Auray ..... H01R 4/646  
174/650  
7,228,869 B2 \* 6/2007 Wilhelm ..... F16K 17/0433  
137/514  
7,381,088 B1 \* 6/2008 Gretz ..... H01R 13/5804  
174/661  
D578,249 S \* 10/2008 Conroy ..... D26/138  
7,854,627 B1 \* 12/2010 Gretz ..... H02G 3/083  
439/557  
7,896,404 B2 \* 3/2011 Hull ..... F16L 37/0987  
285/148.23  
7,952,034 B2 \* 5/2011 Kiely ..... H02G 3/0683  
174/650  
D658,328 S \* 4/2012 Baldwin ..... D26/138  
8,147,089 B2 \* 4/2012 Matthews ..... F21L 4/027  
362/196  
8,350,163 B2 \* 1/2013 Auray ..... H02G 3/0691  
174/650  
9,103,448 B2 \* 8/2015 Witkowski ..... F16K 5/0457  
D743,617 S \* 11/2015 Clifton-Draper ..... D26/114  
2013/0052868 A1 \* 2/2013 Yang ..... H01R 33/9555  
439/620.02  
2014/0048734 A1 \* 2/2014 Witkowski ..... F16K 5/0457  
251/309  
2016/0028196 A1 \* 1/2016 Peng ..... H01R 13/70  
362/394

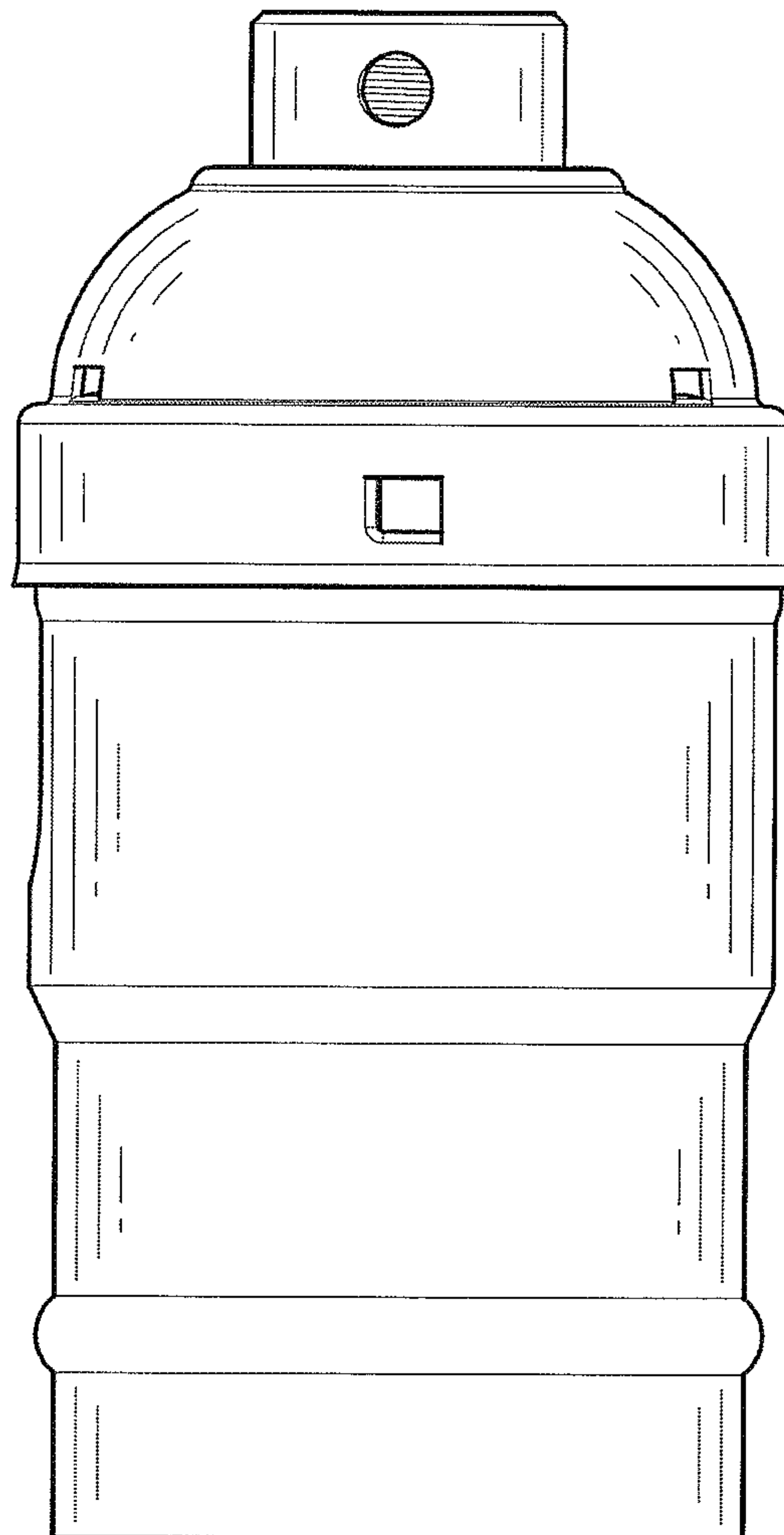
\* cited by examiner



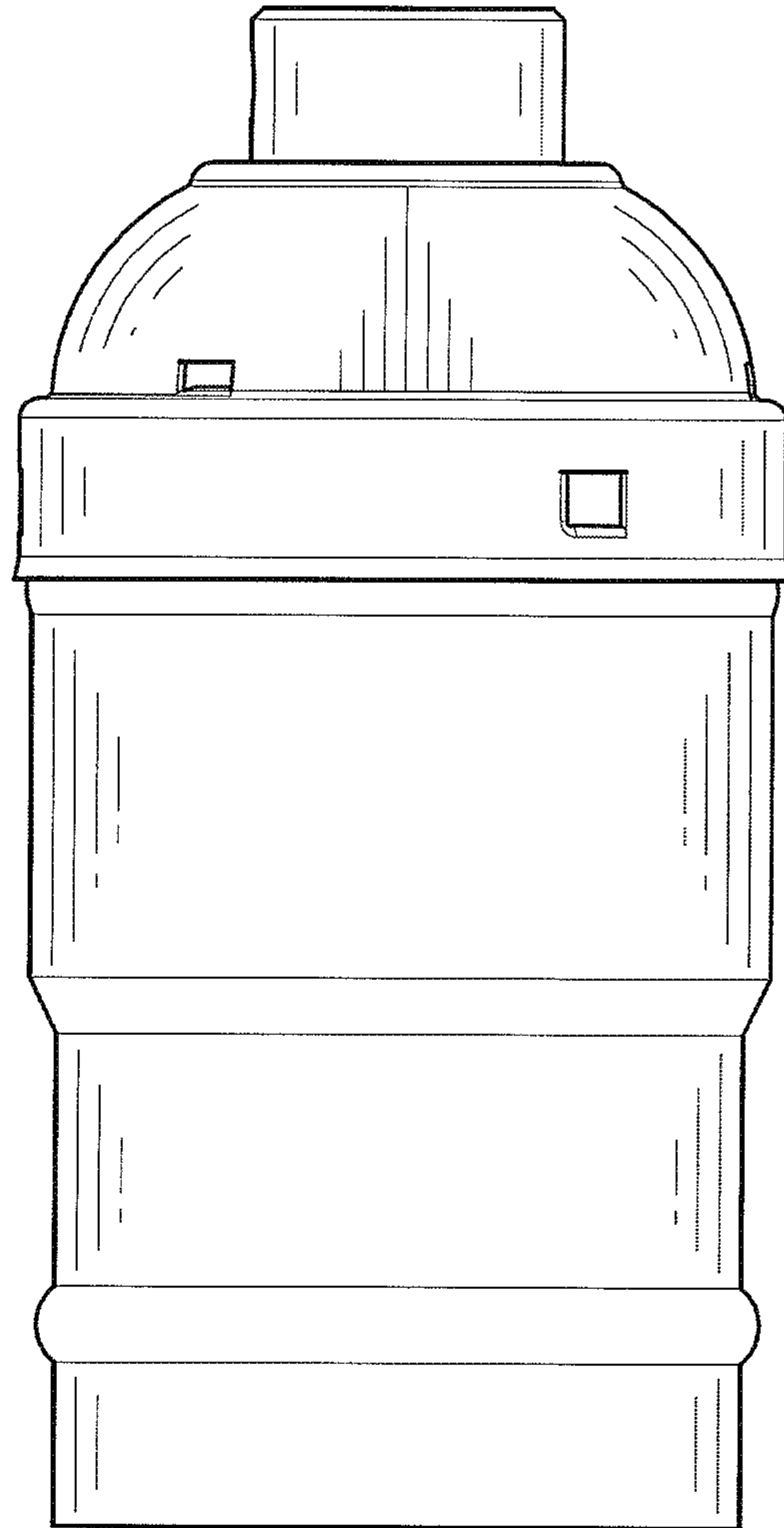
*FIG. 1*



*FIG. 2*

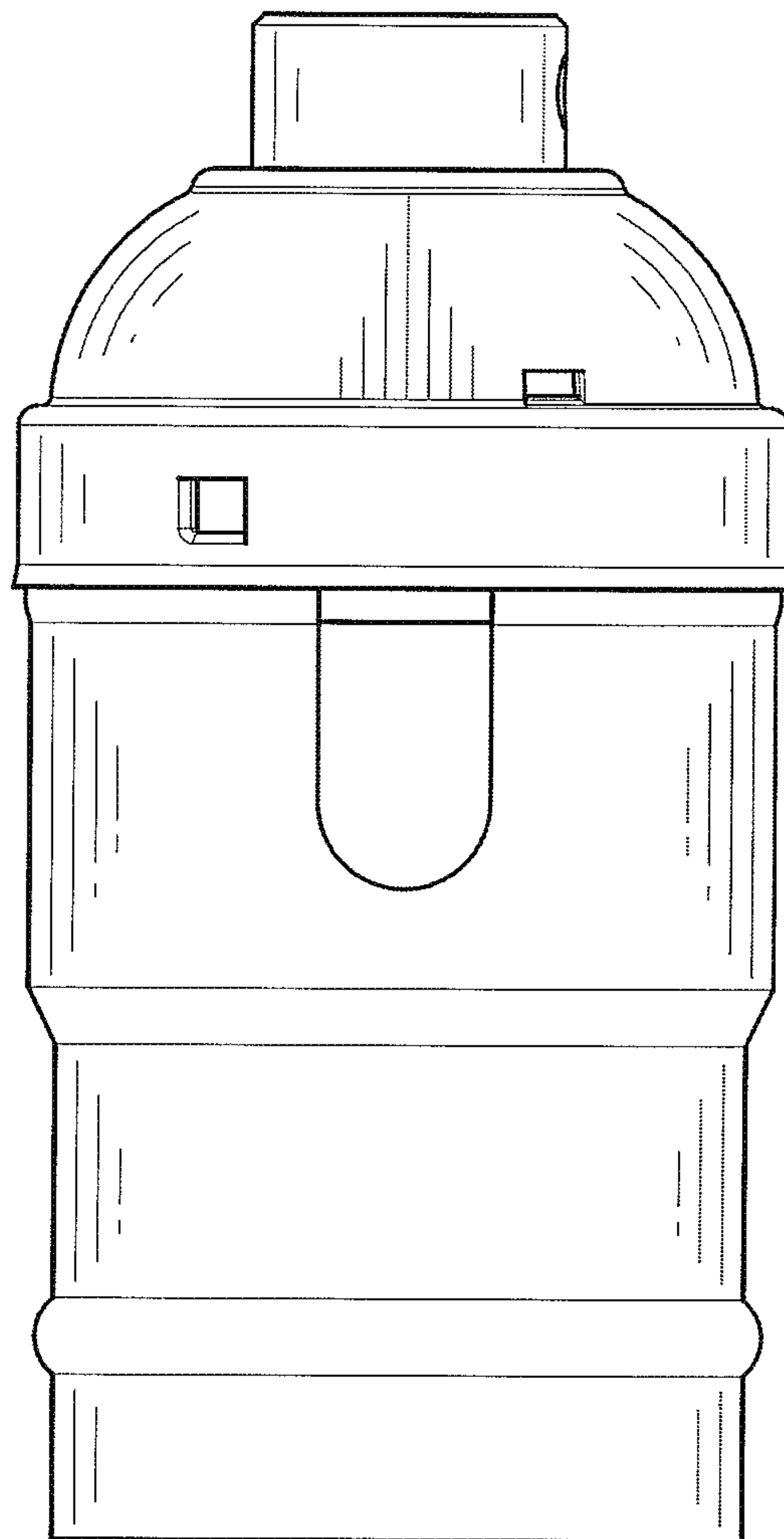


*FIG. 3*

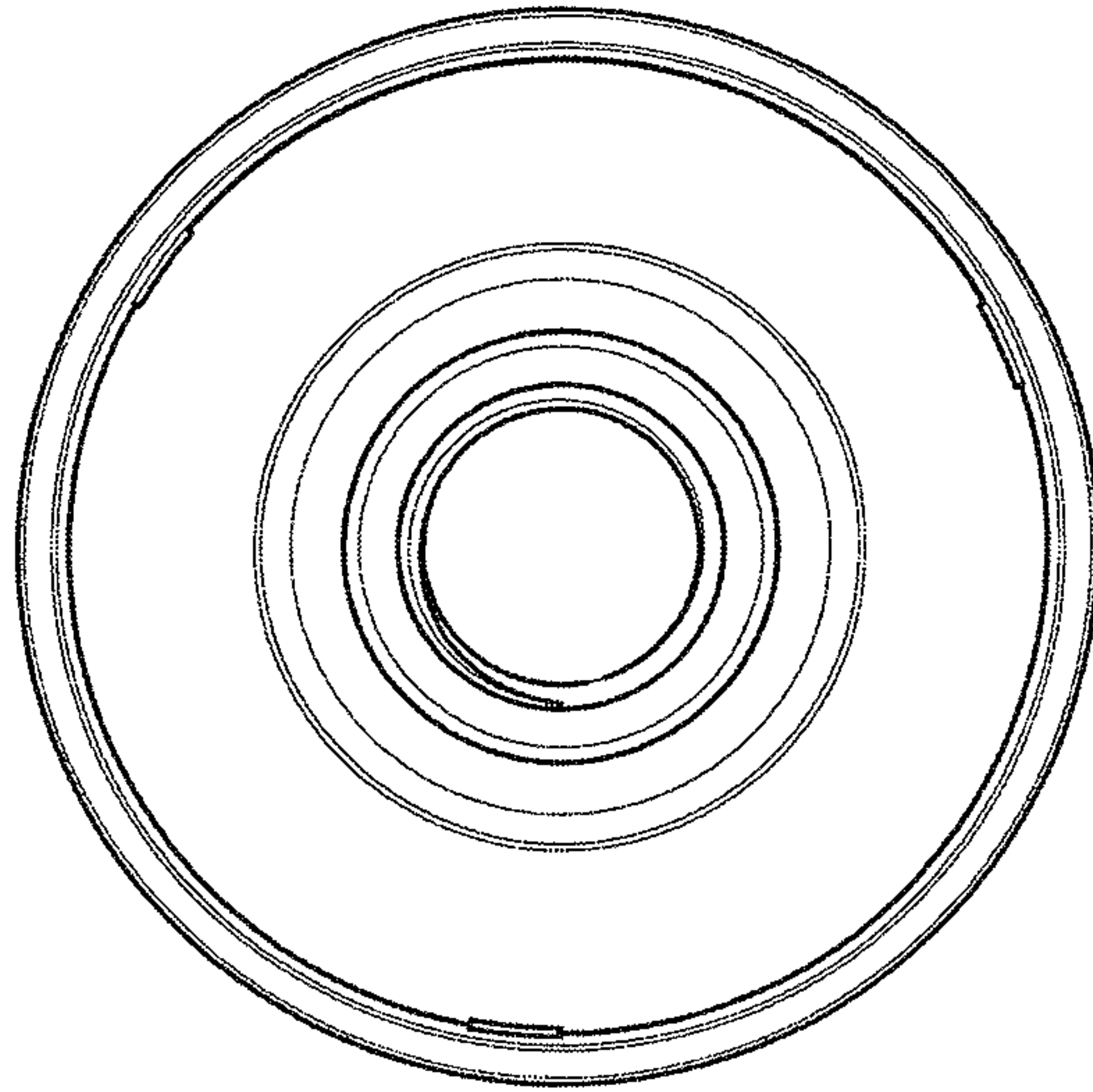


*FIG. 4*

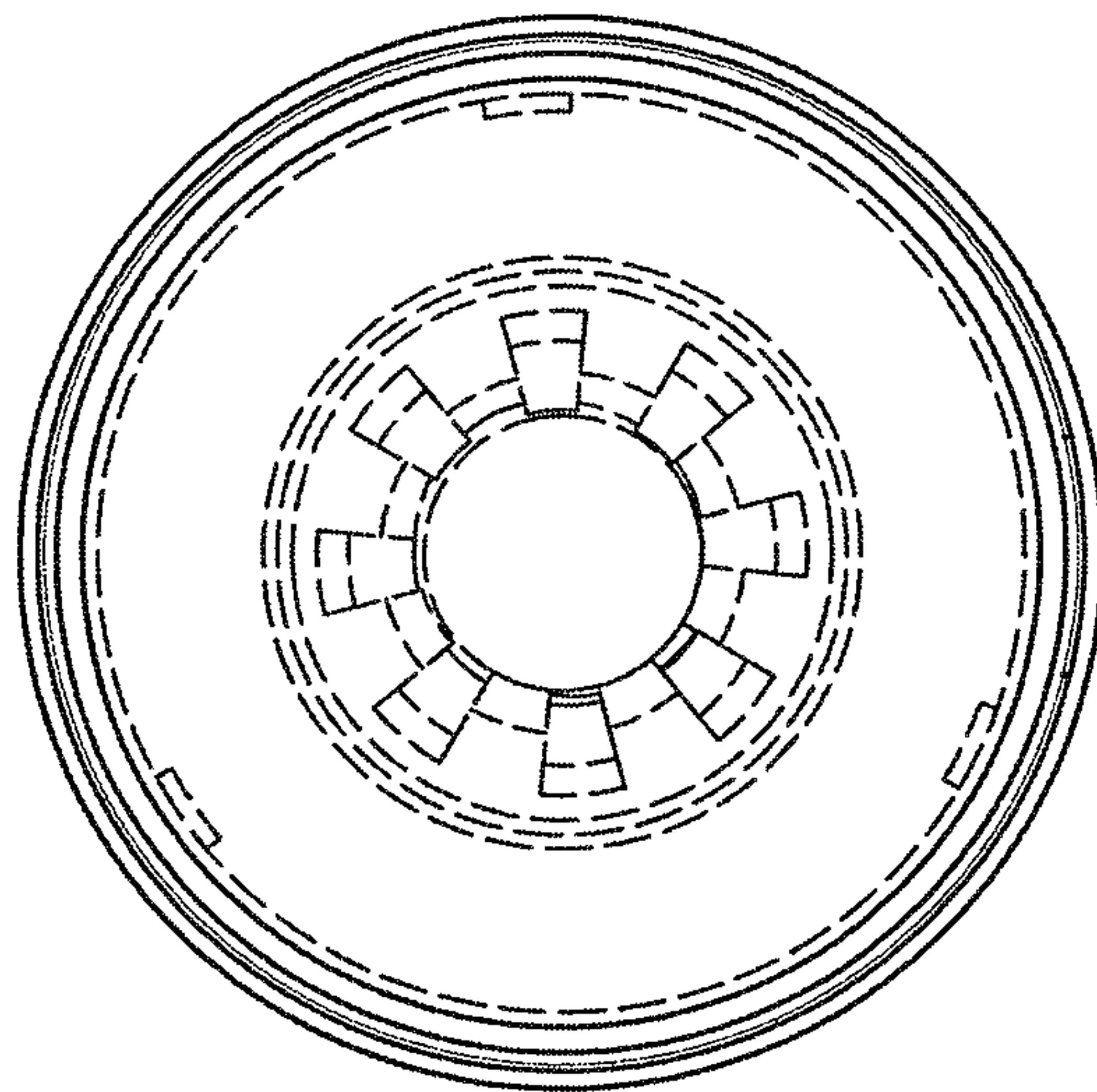




*FIG. 5*

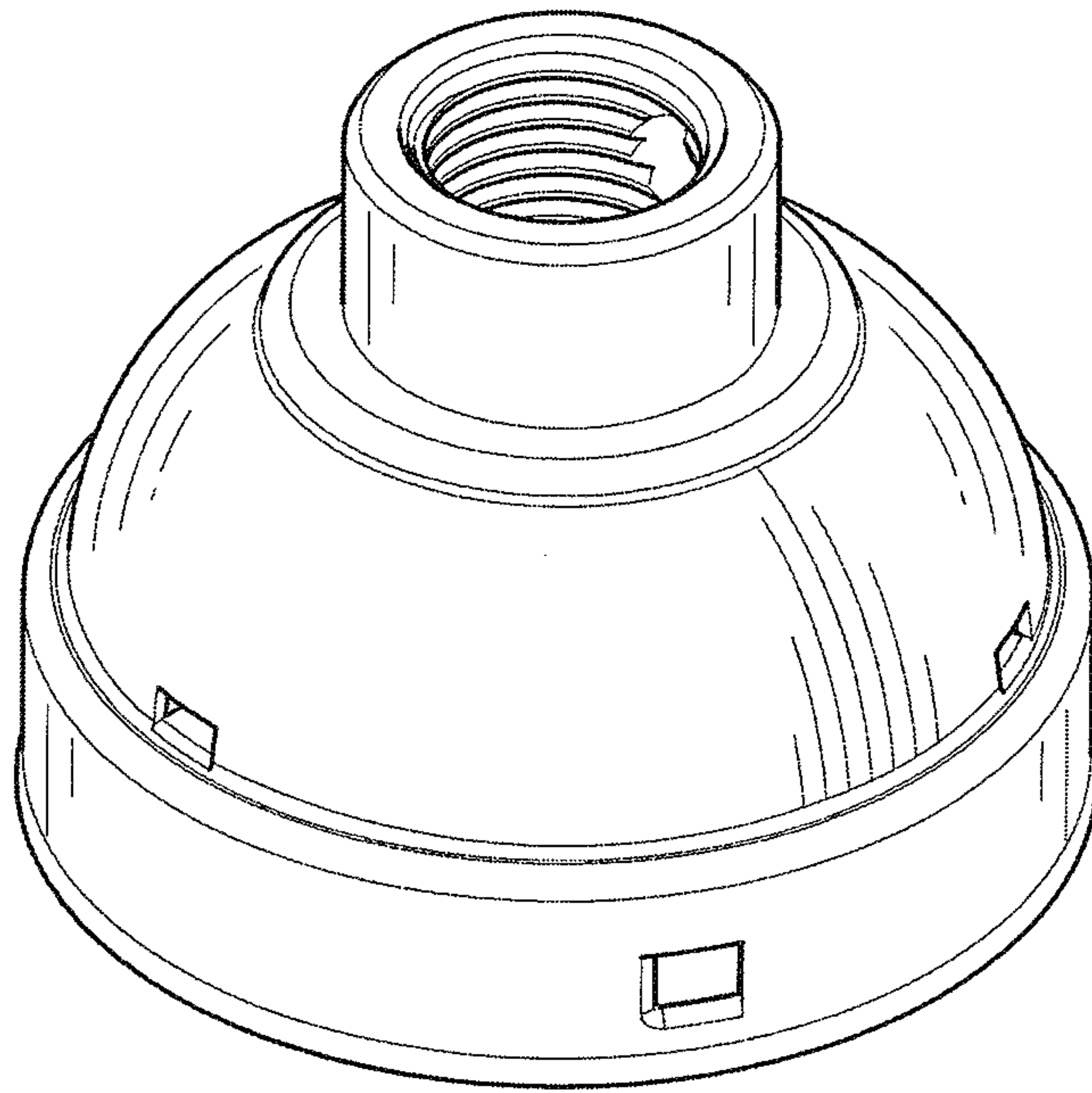


*FIG. 6*

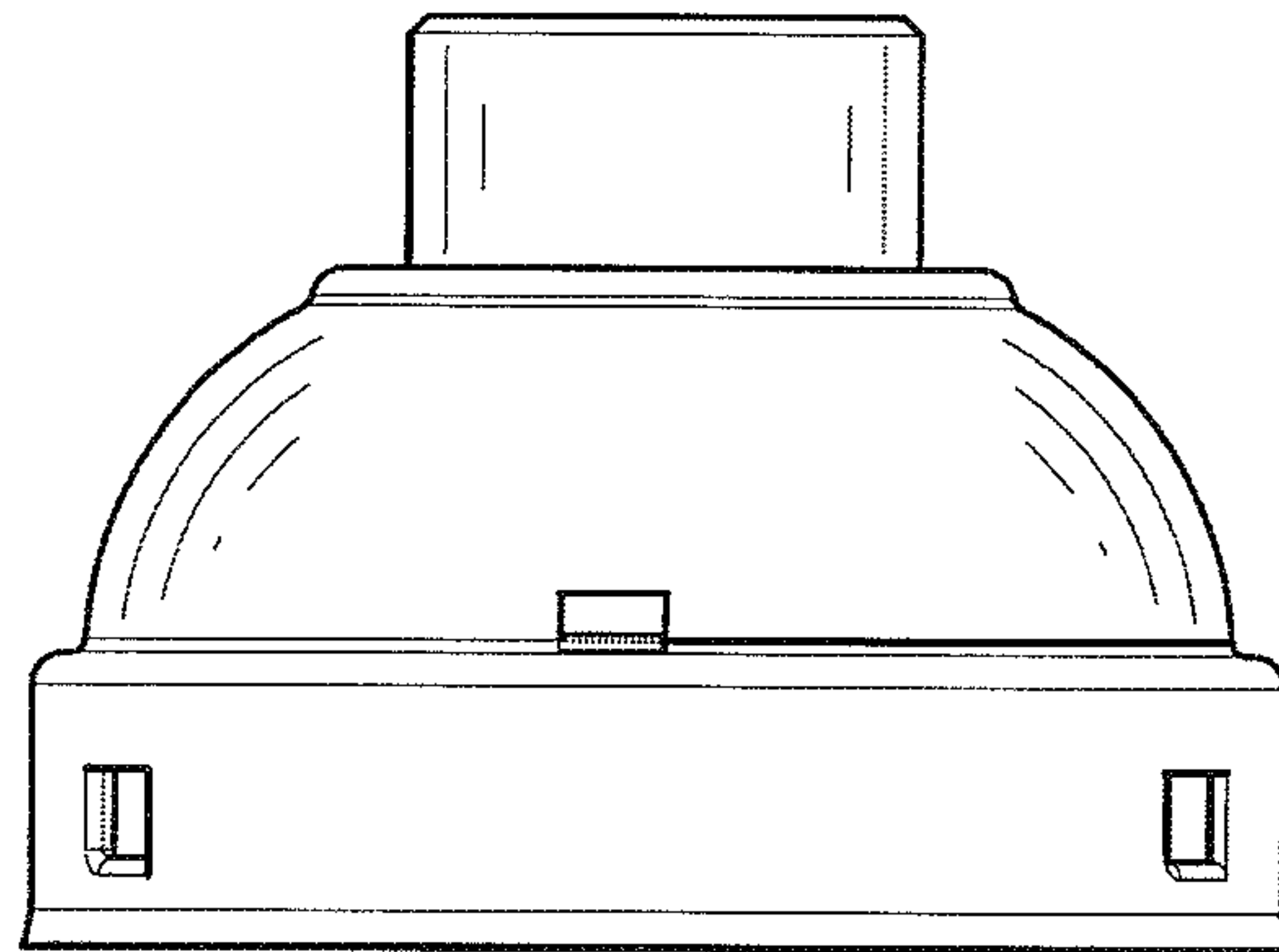


*FIG. 7*

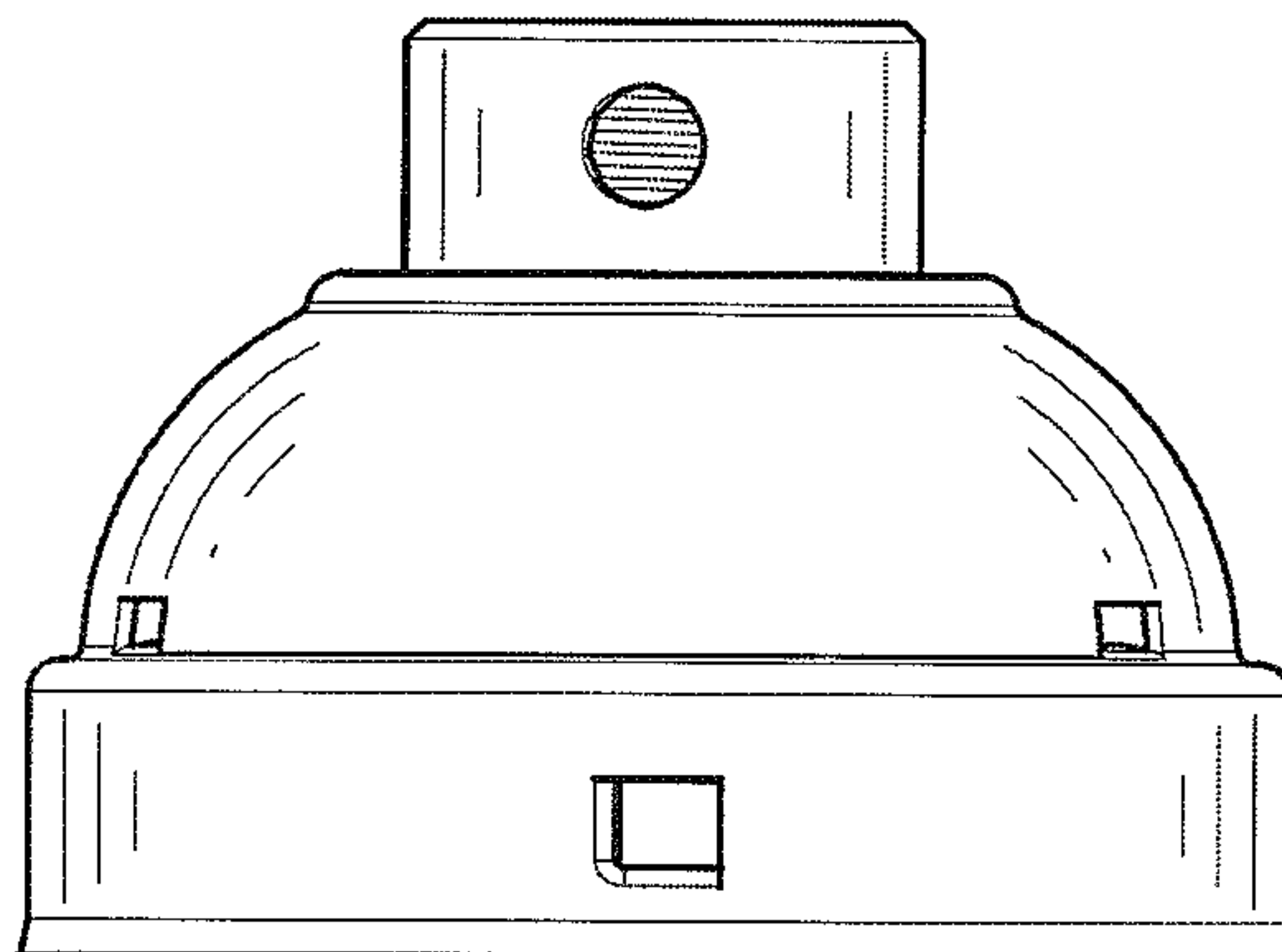




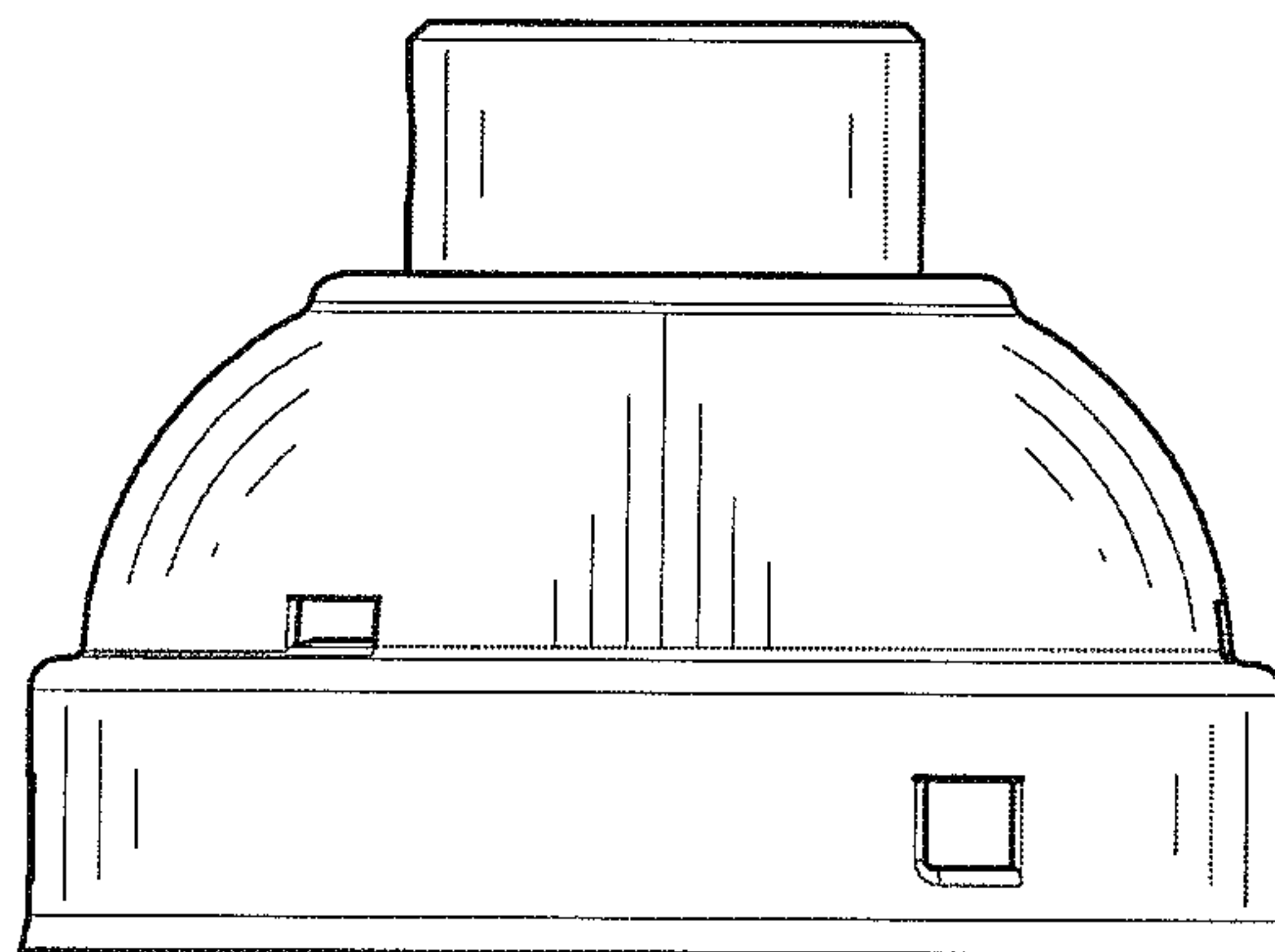
*FIG. 8*



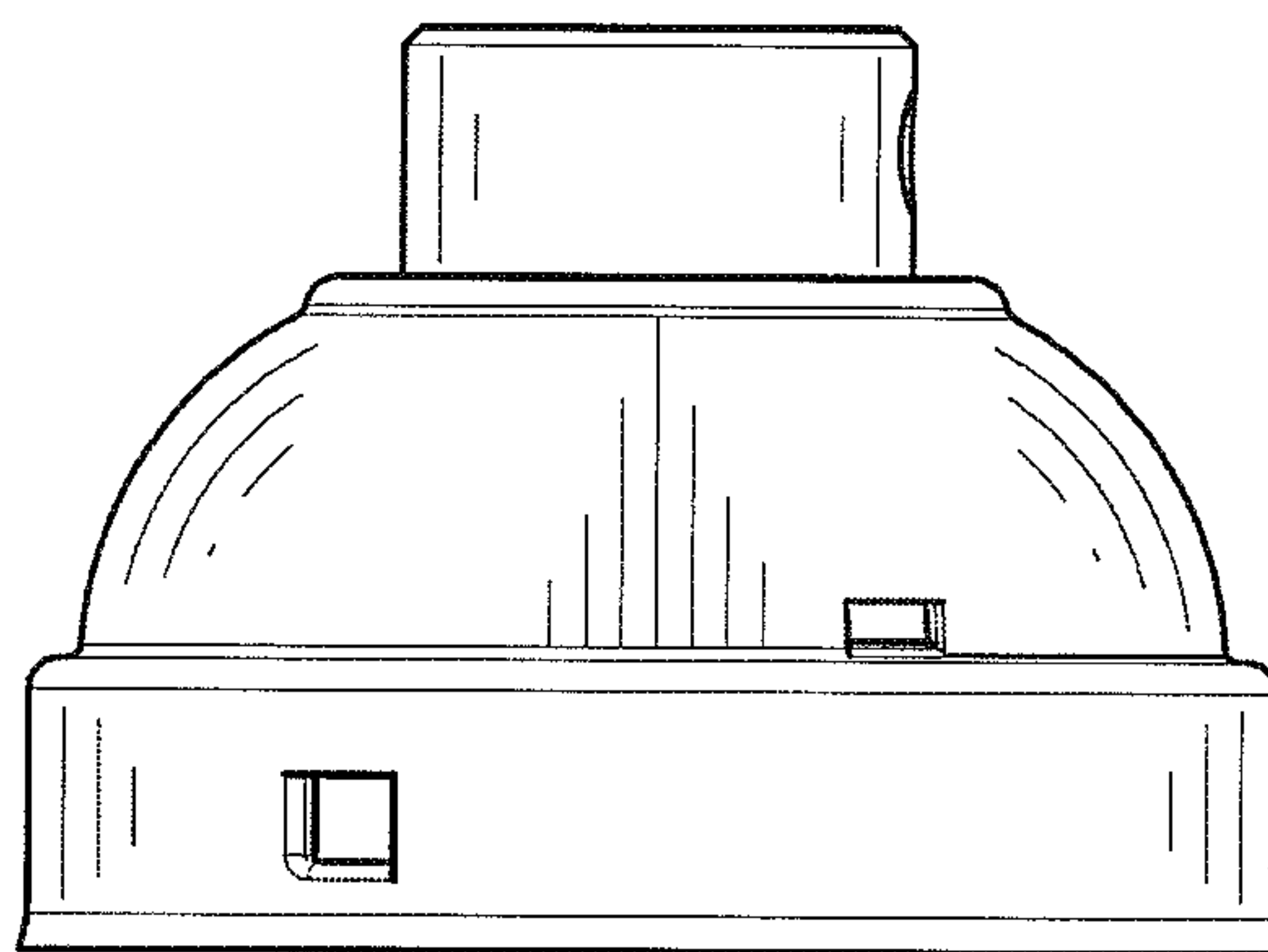
*FIG. 9*



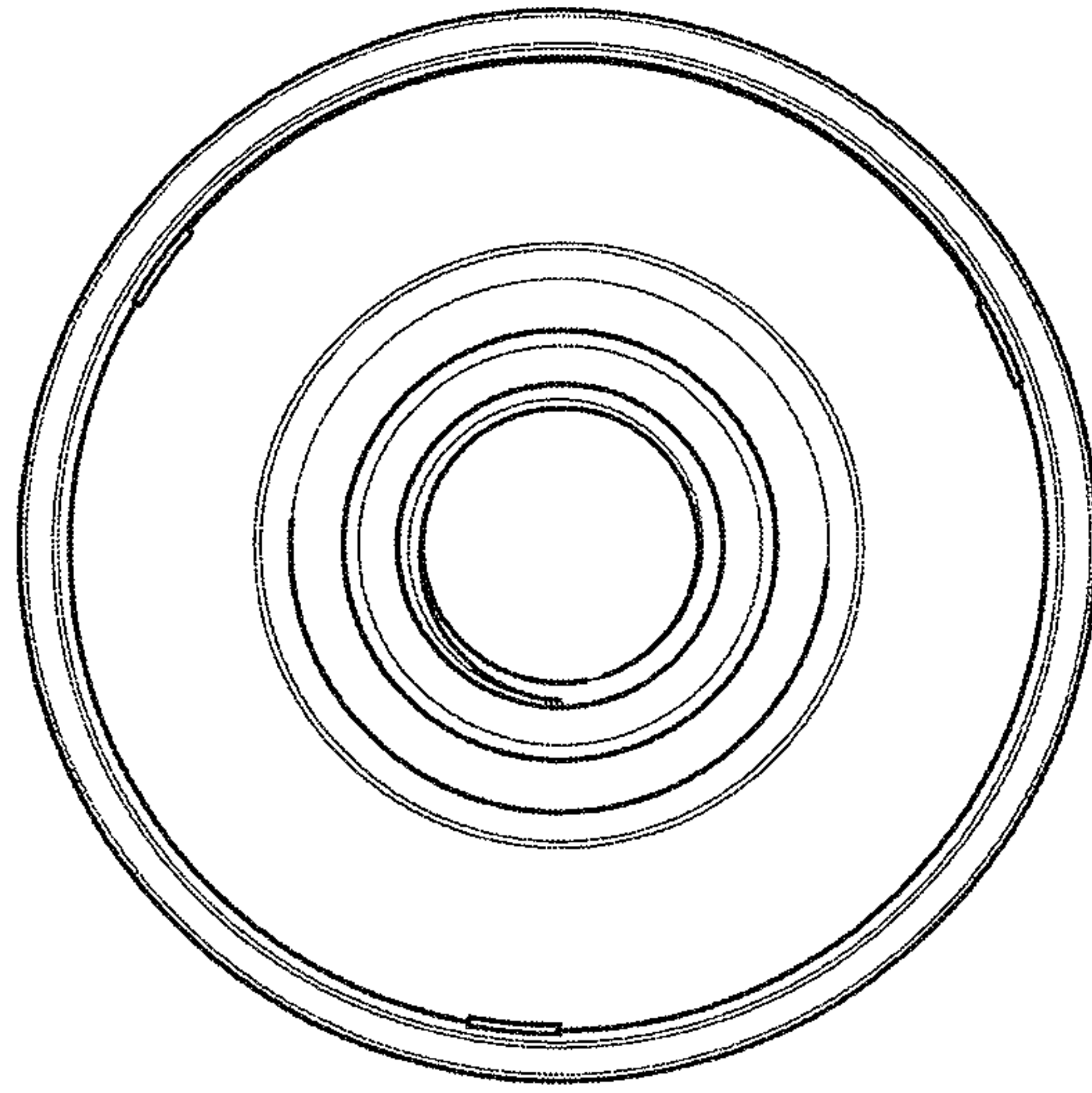
*FIG. 10*



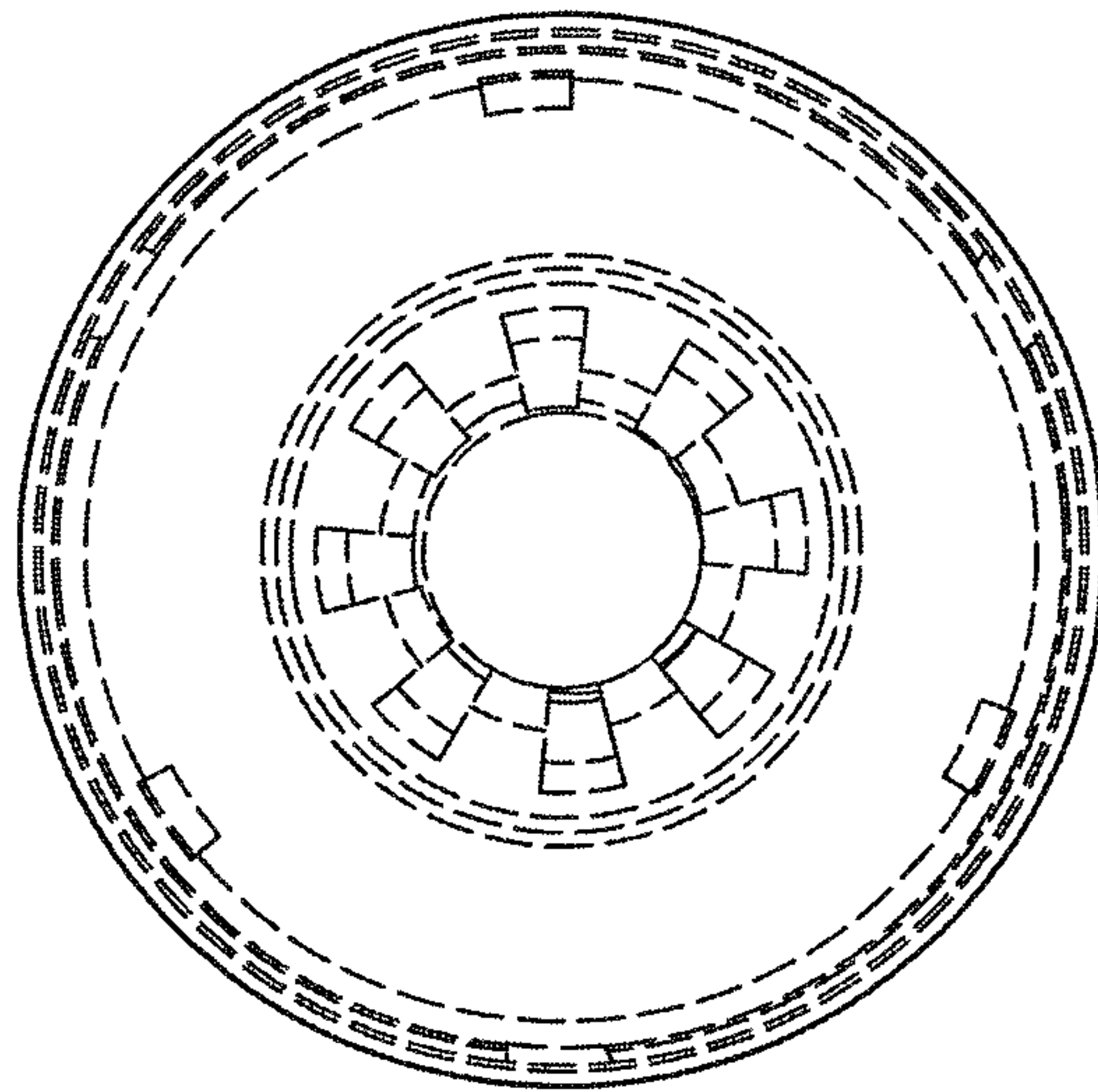
*FIG. 11*



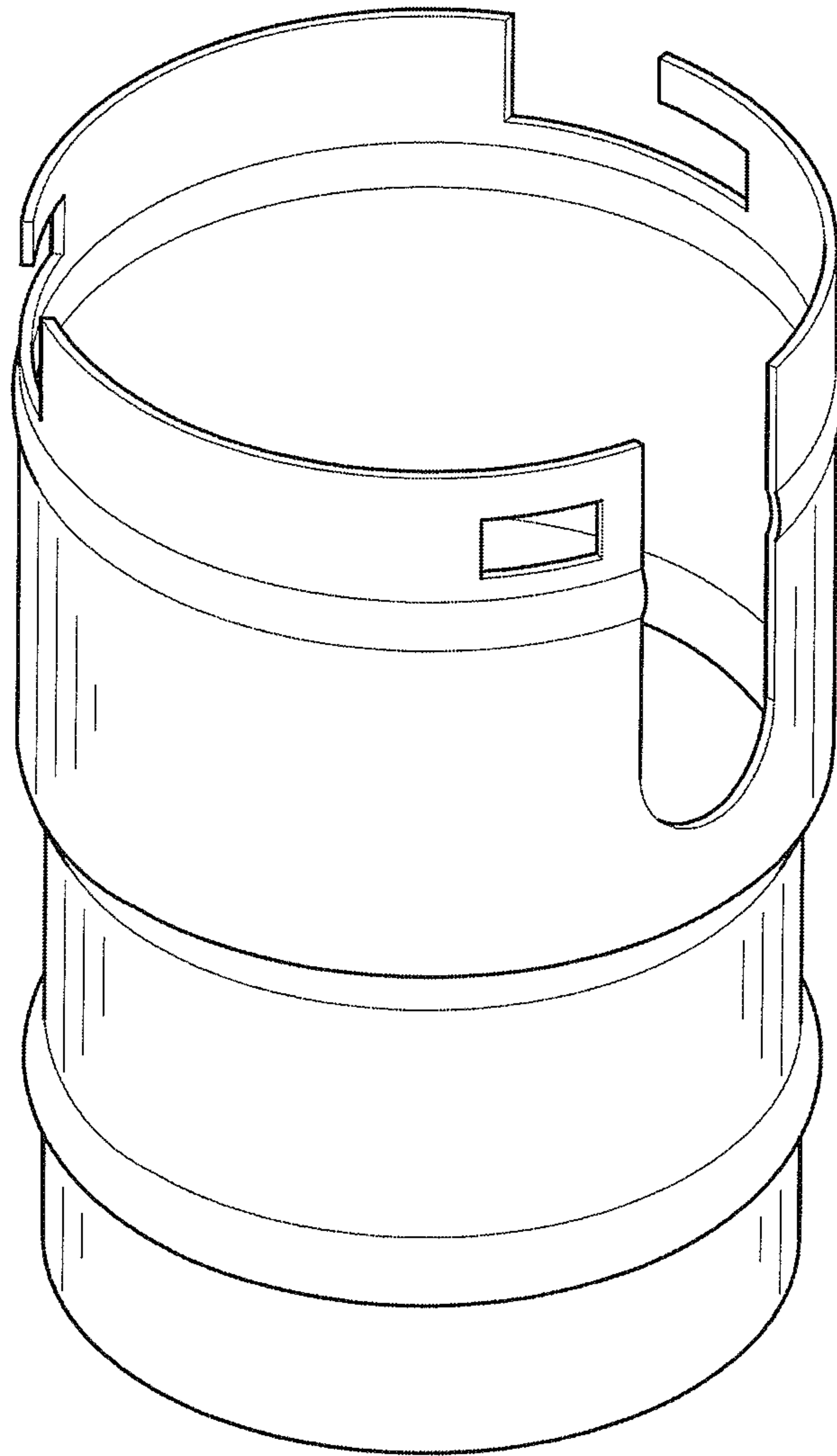
*FIG. 12*



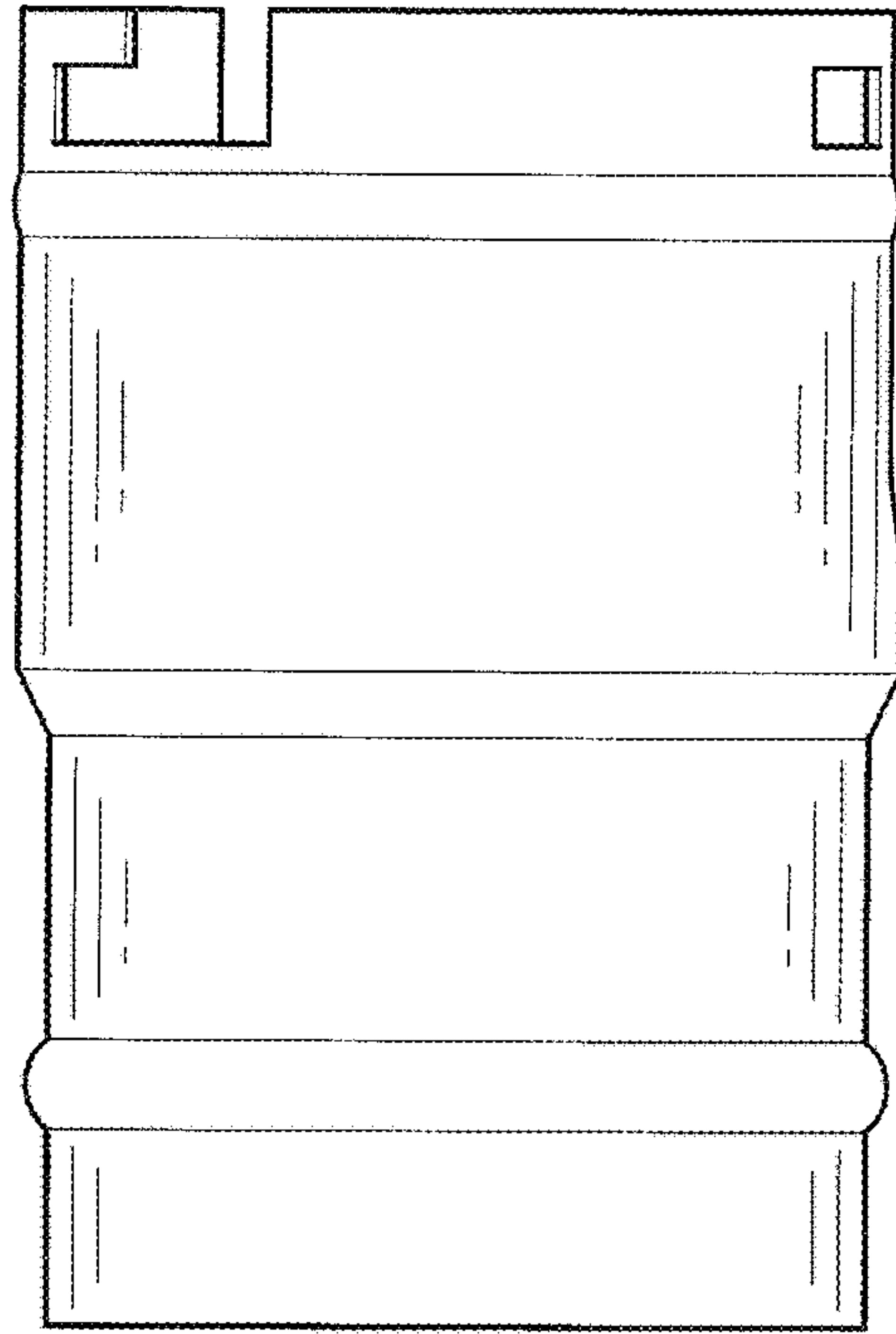
*FIG. 13*



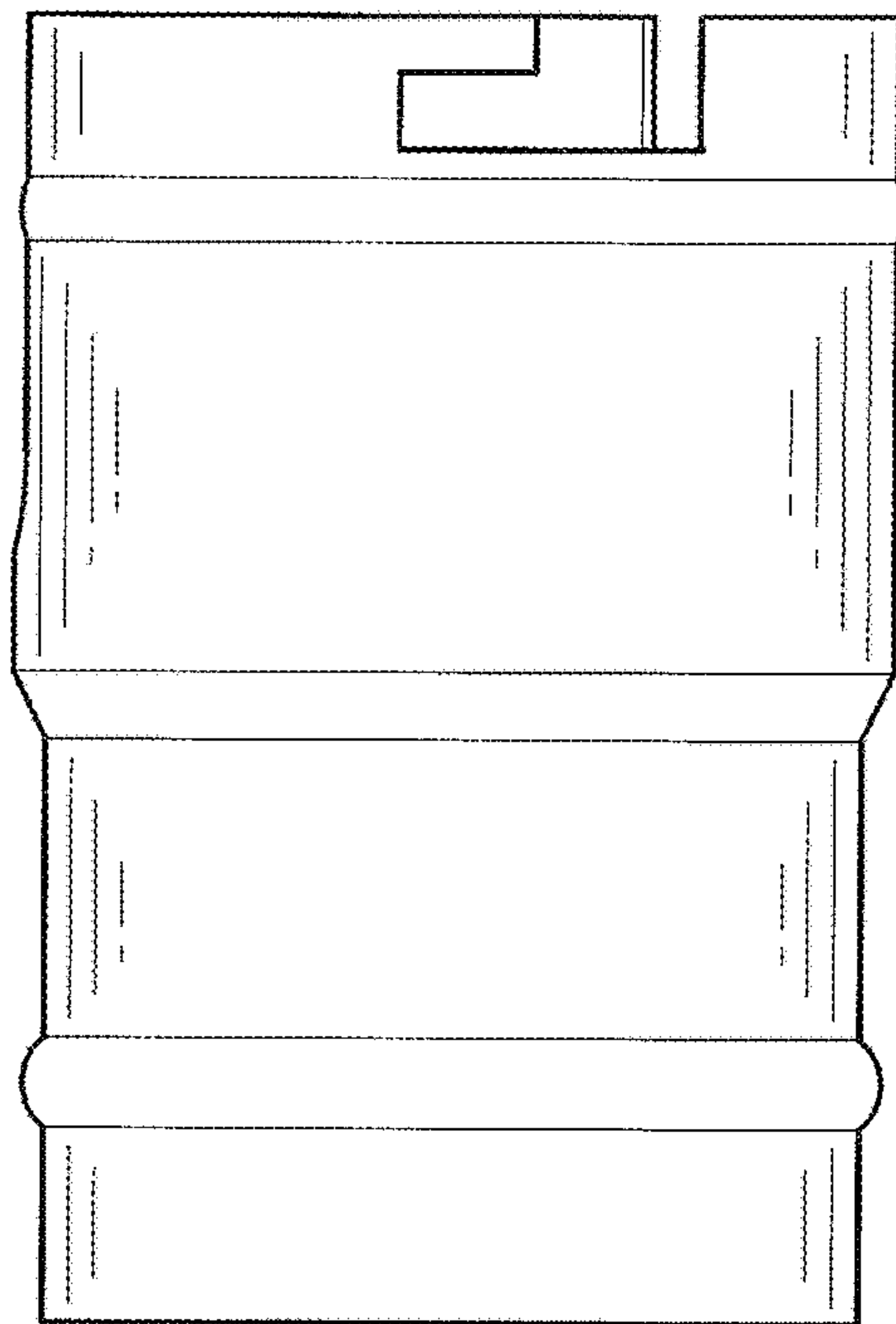
*FIG. 14*



*FIG. 15*

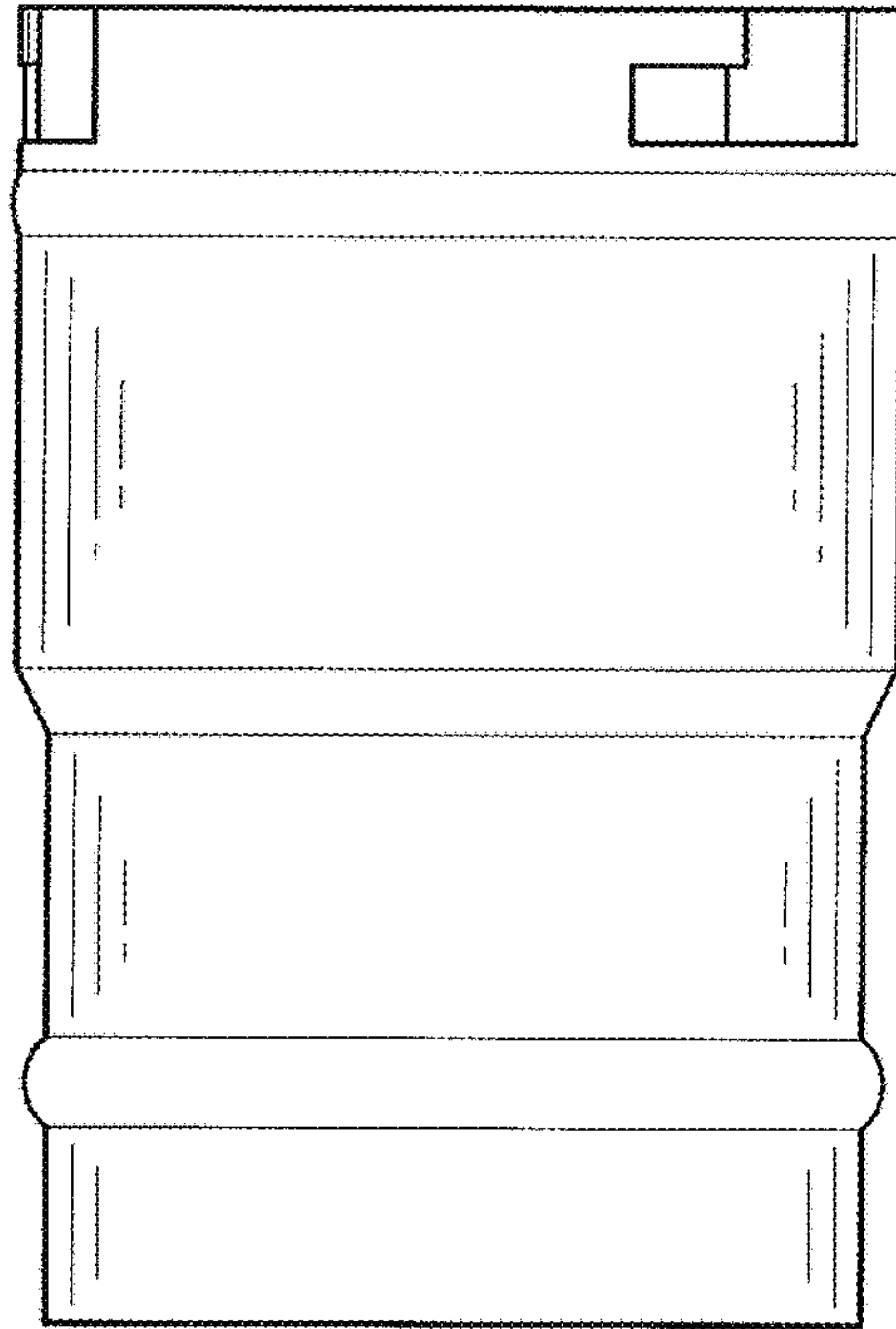


*FIG. 16*

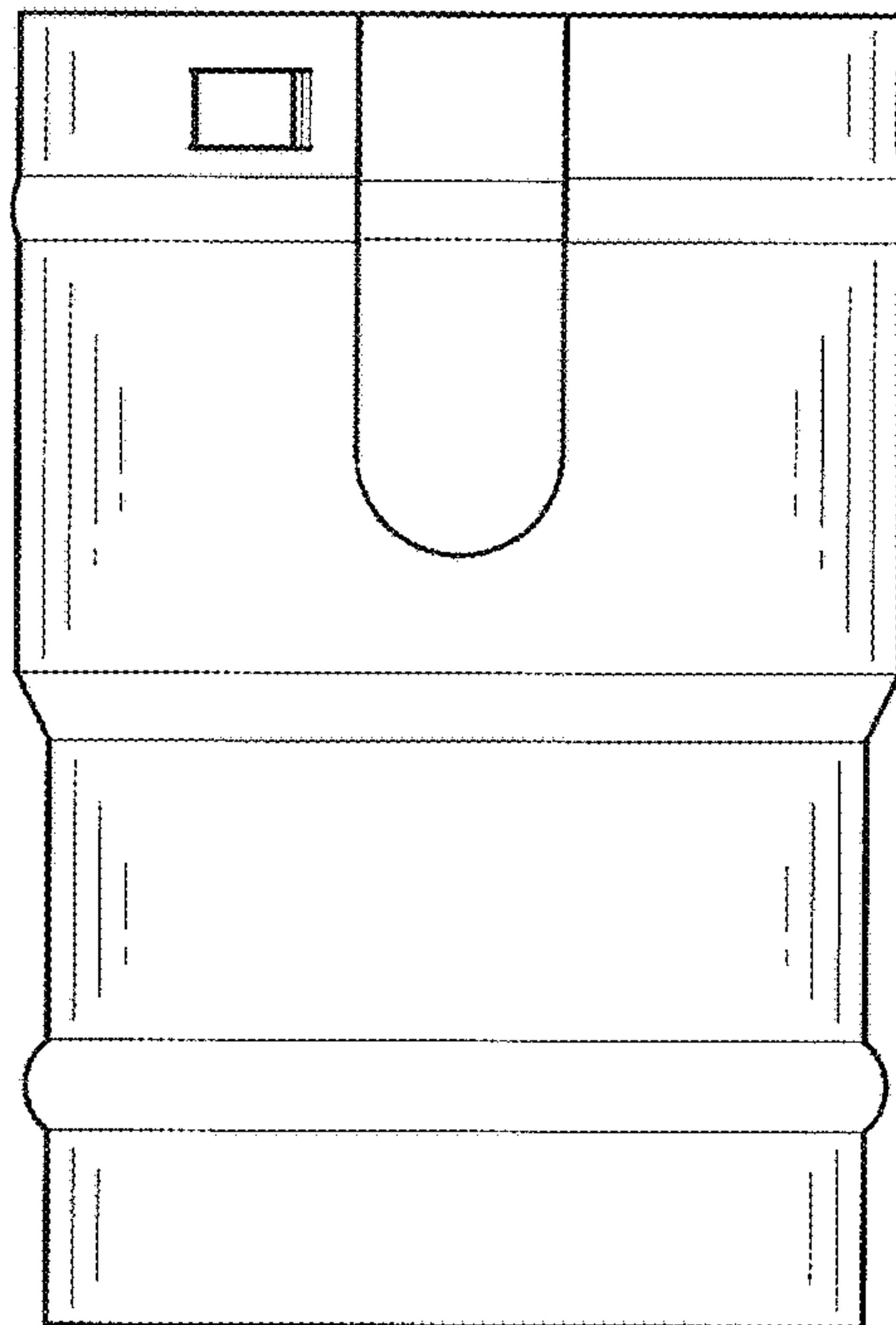


*FIG. 17*

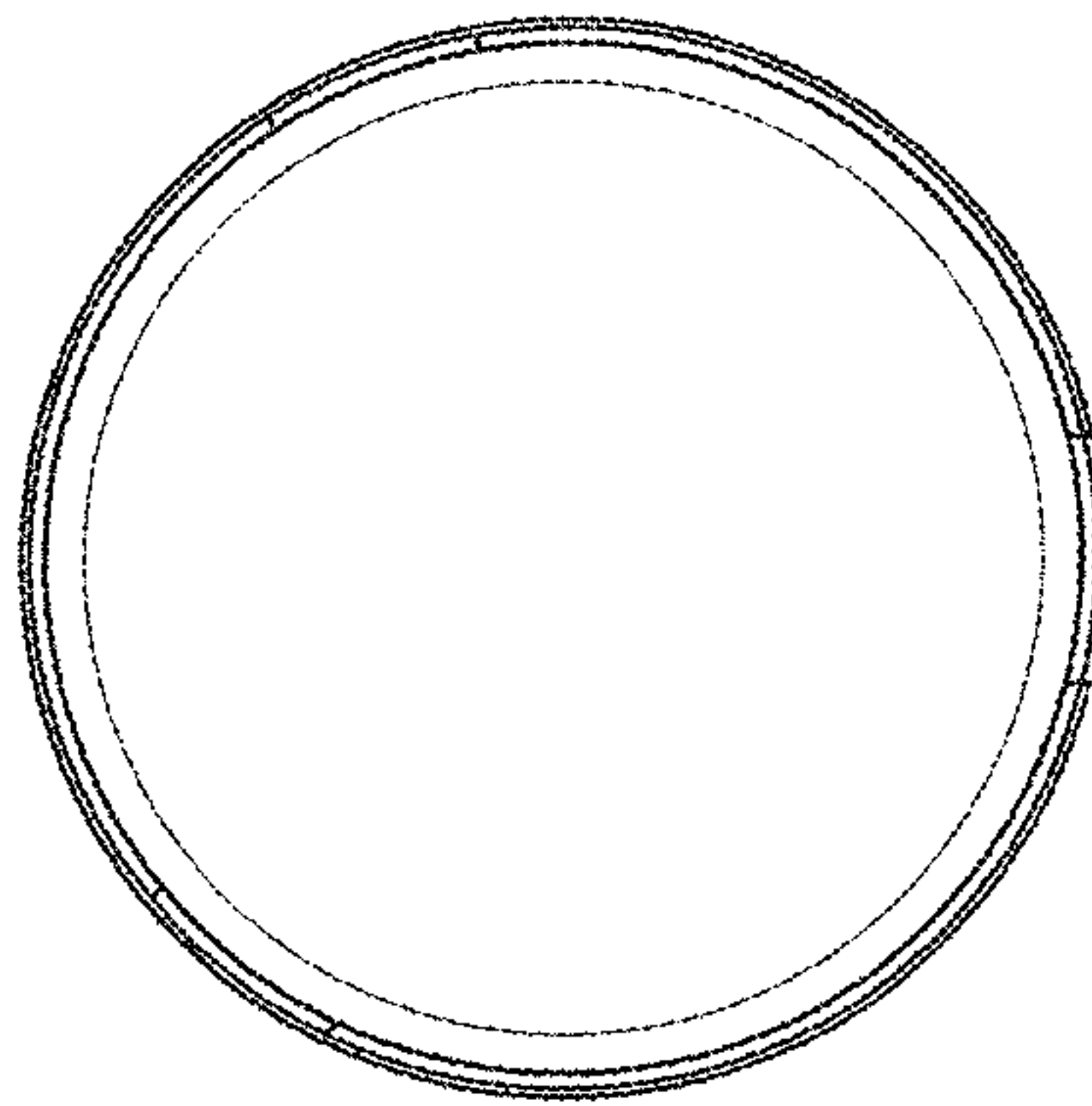




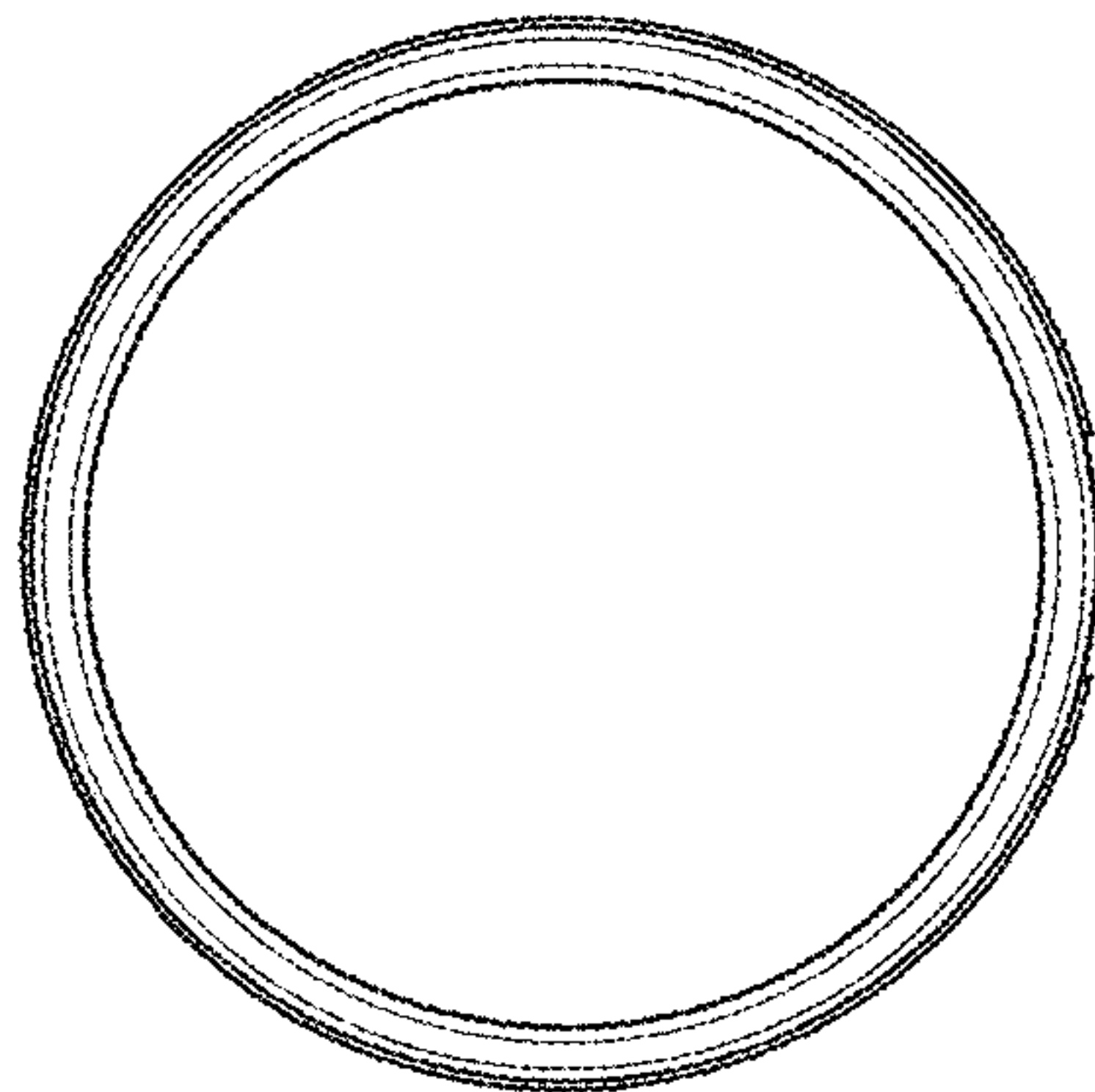
*FIG. 18*



*FIG. 19*



*FIG. 20*



*FIG. 21*