



US00D783891S

(12) **United States Design Patent** (10) **Patent No.:** **US D783,891 S**  
**Wang** (45) **Date of Patent:** **\*\* Apr. 11, 2017**

(54) **LAMP PANEL**

(71) Applicant: **GENERAL LUMINAIRE CO., LTD.**,  
Taipei (TW)

(72) Inventor: **Yung-Hong Wang**, Taipei (TW)

(73) Assignee: **GENERAL LUMINAIRE CO., LTD.**,  
Taipei (TW)

(\*\*) Term: **15 Years**

(21) Appl. No.: **29/537,161**

(22) Filed: **Aug. 24, 2015**

(51) **LOC (10) Cl.** ..... **26-99**

(52) **U.S. Cl.**  
USPC ..... **D26/138; D26/1; D26/113**

(58) **Field of Classification Search**

USPC ..... D26/1, 24, 113, 138  
CPC .. H01J 9/148; H01J 9/185; H01J 9/205; H01J  
9/241; F21K 9/10; F21K 9/30; F21S  
13/02; F21S 13/08; F21S 13/10

See application file for complete search history.

(56) **References Cited**

U.S. PATENT DOCUMENTS

D723,214 S *	2/2015	Wang	.....	D26/152
D726,954 S *	4/2015	Wang	.....	D26/120
D733,959 S *	7/2015	Wang	.....	D26/120

\* cited by examiner

*Primary Examiner* — Brian N Vinson

(74) *Attorney, Agent, or Firm* — Leong C. Lei

(57) **CLAIM**

The ornamental design for a lamp panel, as shown and described.

**DESCRIPTION**

FIG. 1 is a perspective view of a lamp panel showing our new design;

FIG. 2 is a front elevation view thereof;

FIG. 3 is a rear elevation view thereof;

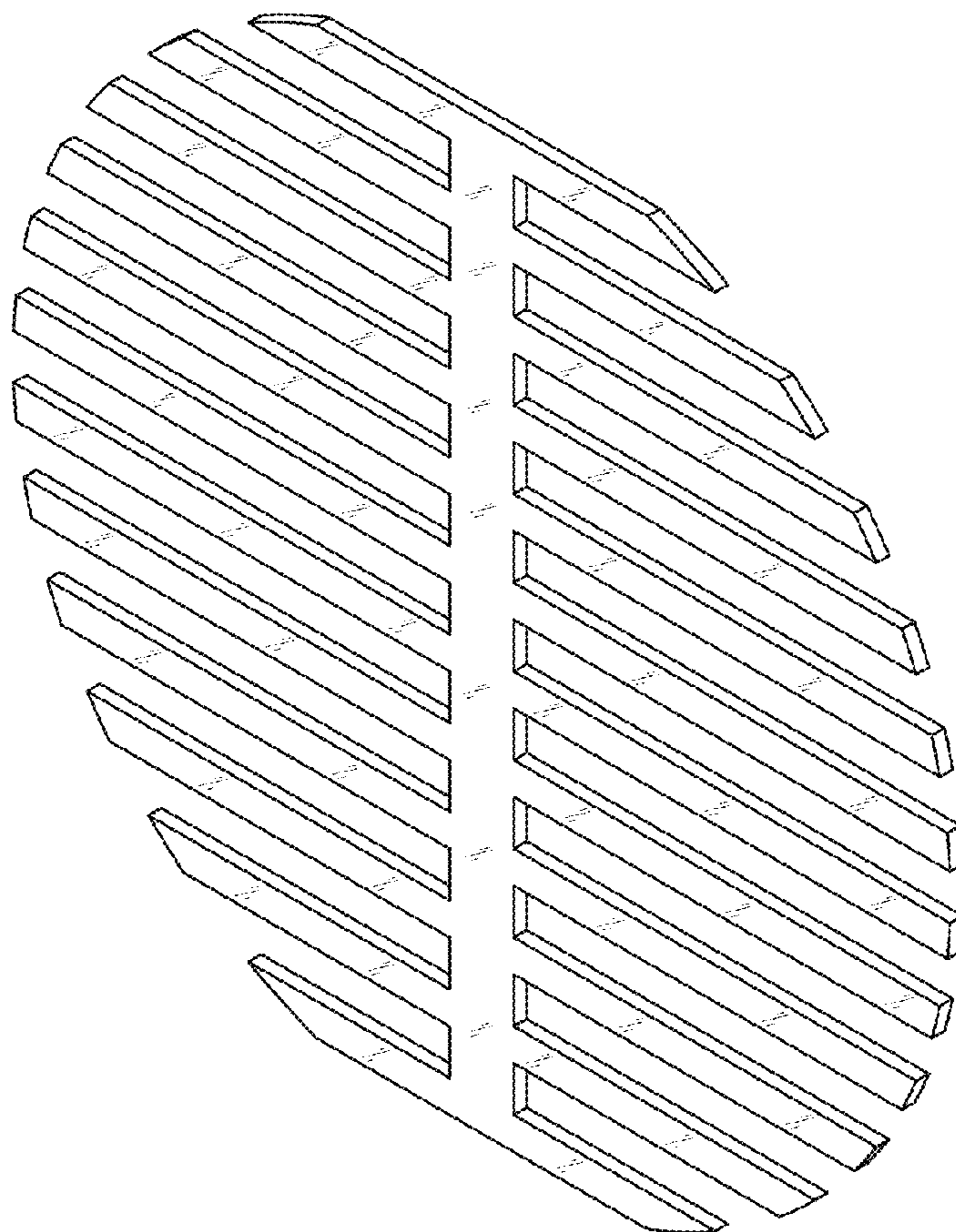
FIG. 4 is a left side view thereof;

FIG. 5 is a right side view thereof;

FIG. 6 is a top plan view thereof; and,

FIG. 7 is a bottom plan view thereof.

**1 Claim, 5 Drawing Sheets**



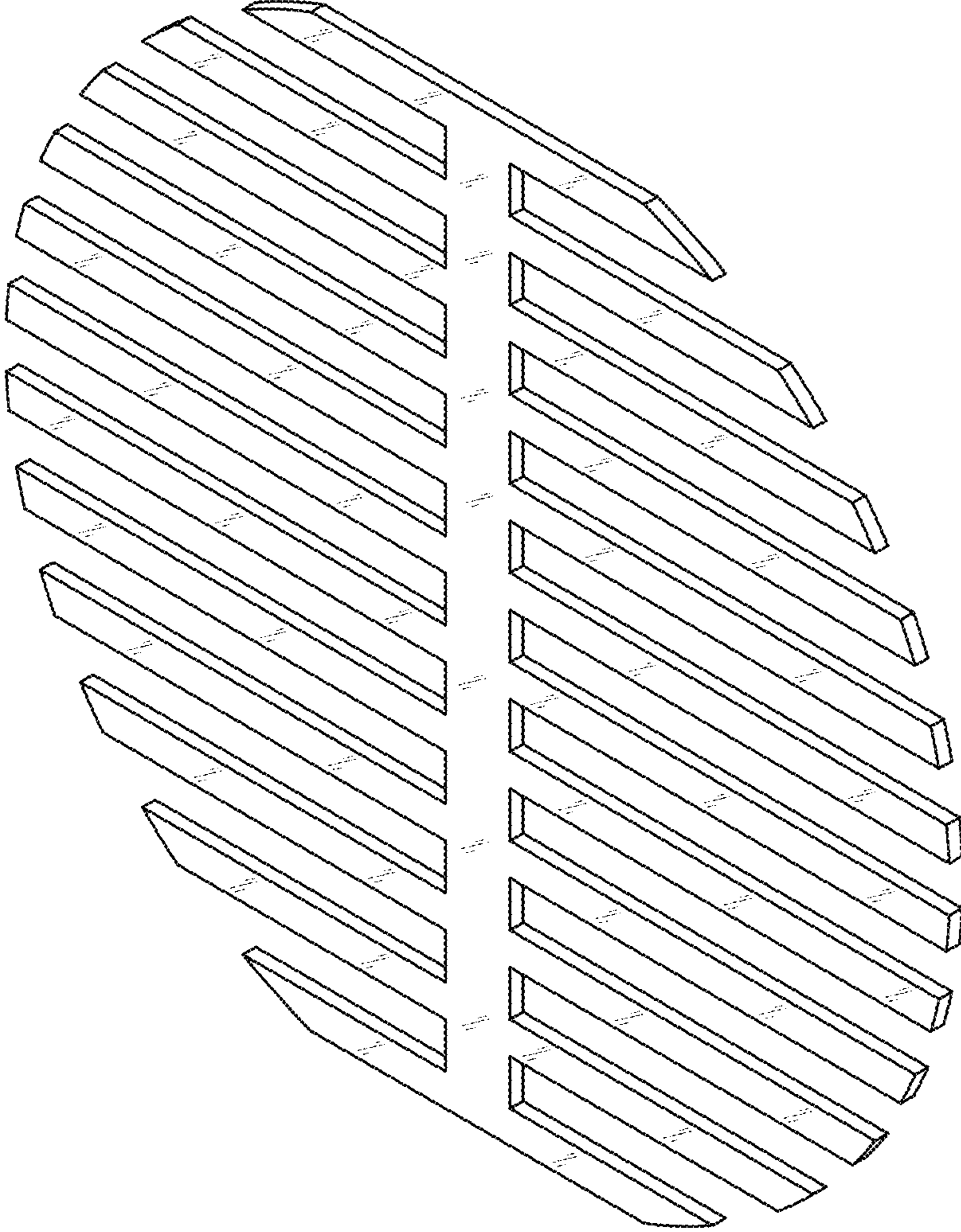


Fig. 1

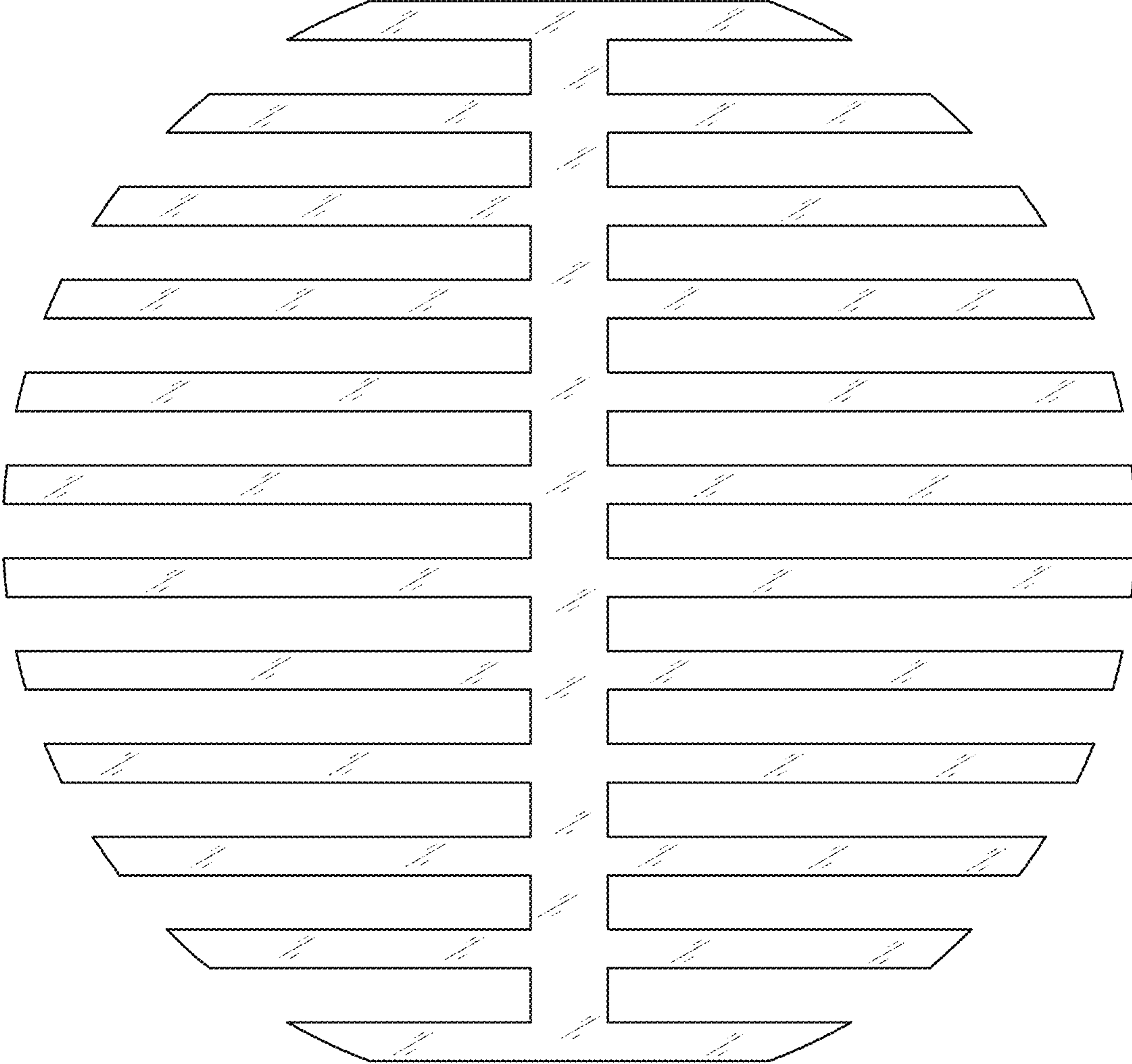


Fig. 2

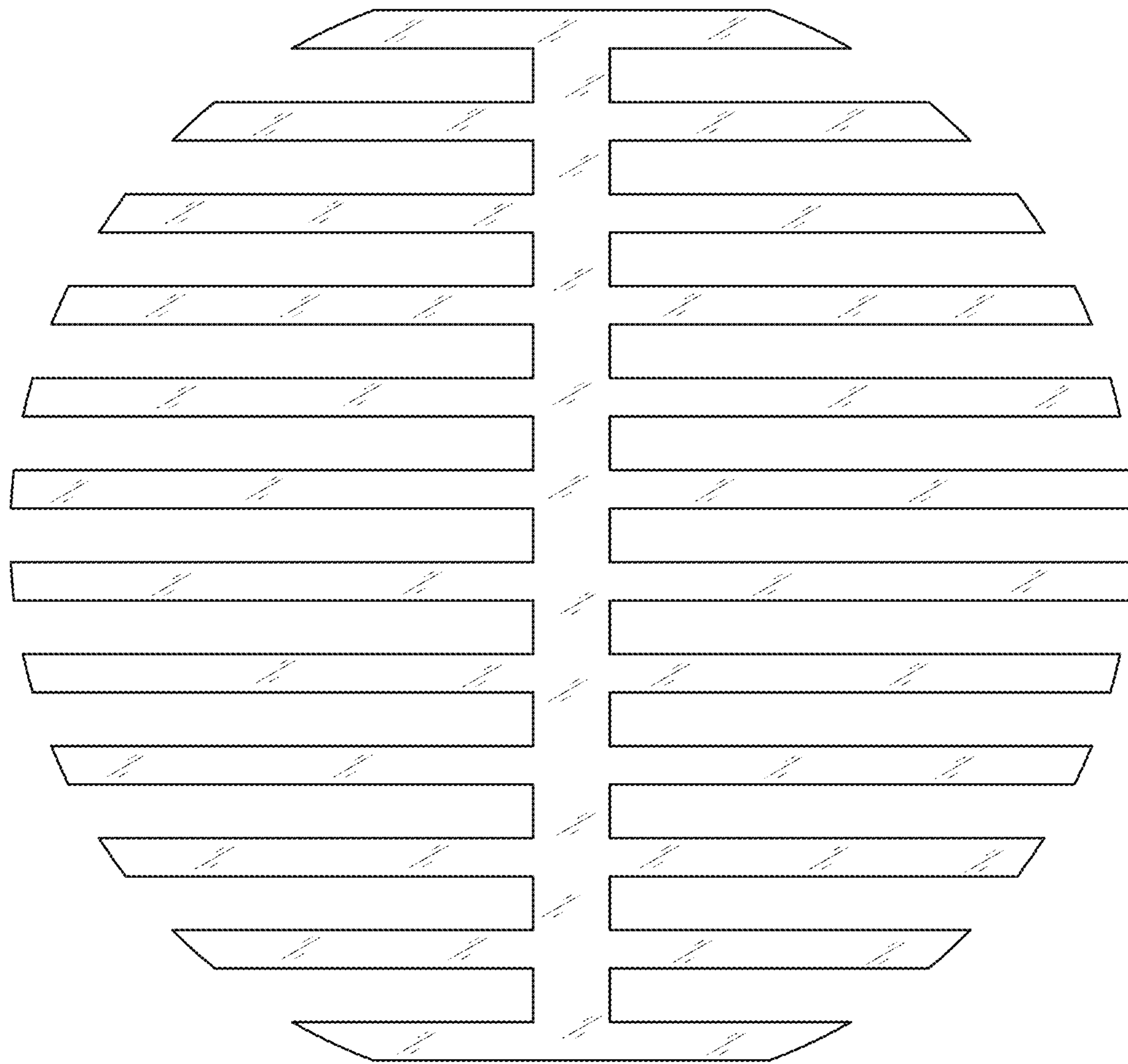


Fig. 3



Fig. 4



Fig. 5



Fig. 6

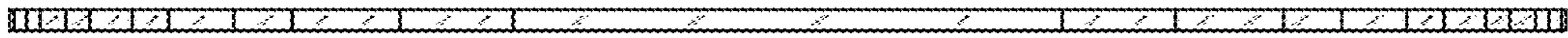


Fig. 7