



US00D783890S

(12) **United States Design Patent** (10) **Patent No.:** **US D783,890 S**  
**Samson** (45) **Date of Patent:** **\*\* Apr. 11, 2017**

(54) **COVE LIGHTING FIXTURE BRACKET**

5,359,866 A \* 11/1994 Boddy ..... F16B 2/10  
24/270  
D354,677 S \* 1/1995 Troyer ..... D26/138  
D391,845 S \* 3/1998 Freeman ..... D8/402  
D394,381 S \* 5/1998 Ziaylek, Jr. .... D8/354  
5,820,095 A \* 10/1998 Stone ..... B43K 23/002  
211/69.1  
D422,885 S \* 4/2000 Marino ..... D8/354  
D450,564 S \* 11/2001 Kane ..... D8/356  
6,509,678 B2 \* 1/2003 Shen ..... F21V 17/164  
313/318.01  
D497,793 S \* 11/2004 Votypka ..... D8/356  
D549,086 S \* 8/2007 Fujiwara ..... D8/382

(71) Applicant: **Moda LLC**, Las Vegas, NV (US)

(72) Inventor: **Mark Samson**, Las Vegas, NV (US)

(73) Assignee: **Moda LLC**, Las Vegas, NV (US)

(\*\*) Term: **15 Years**

(21) Appl. No.: **29/536,479**

(22) Filed: **Aug. 17, 2015**

(51) **LOC (10) Cl.** ..... **26-99**

(52) **U.S. Cl.**

USPC ..... **D26/138**

(58) **Field of Classification Search**

USPC ..... D8/51-59, 70-74, 106, 306, 310, 315,  
D8/316, 319, 320, 336, 343, 344, 350,  
D8/351, 352, 354, 355, 356, 363, 373,  
D8/380, 381, 382, 393, 394, 396;  
D13/130-145, 179, 180, 184; D26/23,  
D26/24, 26, 28, 35, 36, 60, 61, 63, 66,  
D26/67, /74, 113, 118, 119, 139-155  
CPC ..... F16L 3/01-3/03; F16B 2/02; F16B 2/04;  
F16B 2/10; F16B 2/14; F16B 2/22; F16B  
2/24; F16B 2/205; H02G 3/32

See application file for complete search history.

(56) **References Cited**

**U.S. PATENT DOCUMENTS**

D186,127 S \* 9/1959 Needham ..... D26/140  
D188,238 S \* 6/1960 Blum ..... D8/373  
D201,387 S \* 6/1965 Reeves ..... D20/43  
D222,578 S \* 11/1971 Walker ..... D8/373  
3,697,028 A \* 10/1972 Nimmo ..... F16B 2/06  
108/158.11  
4,390,927 A \* 6/1983 Von Feldt ..... F21L 15/14  
362/191  
4,805,479 A \* 2/1989 Brightwell ..... F16C 1/105  
248/74.2

**OTHER PUBLICATIONS**

Polycarbonate Self-Locking Bracket (Available online) Jan. 7, 2016  
(Retrieved Aug. 31, 2016) Retrieved from the internet: <URL:  
www.modalight.com/moda-mini-cove.html>.\*

*Primary Examiner* — Garth Rademaker

*Assistant Examiner* — Richard Kearney

(74) *Attorney, Agent, or Firm* — Weide & Miller, Ltd.

(57) **CLAIM**

The ornamental design for a cove lighting fixture bracket, as shown and described.

**DESCRIPTION**

FIG. 1 is a front view of a cove lighting fixture bracket showing the new design, the rear view being identical to the front view;

FIG. 2 is a side view thereof, the left and right side views being identical;

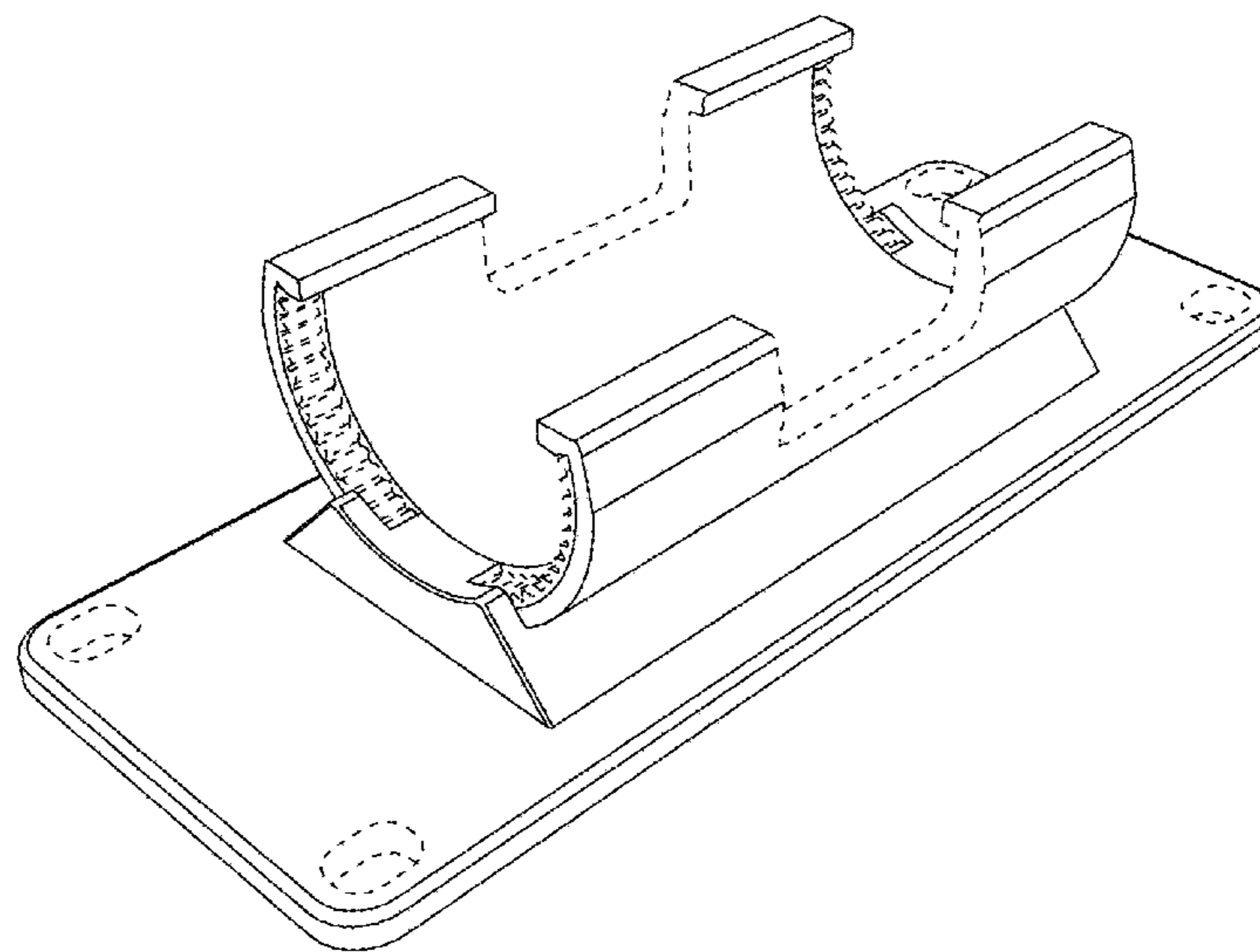
FIG. 3 is a top view thereof;

FIG. 4 is a bottom view thereof; and,

FIG. 5 is a perspective view thereof.

The broken lines indicate unclaimed portions of the article and form no part of the claimed design.

**1 Claim, 5 Drawing Sheets**



(56)

**References Cited**

U.S. PATENT DOCUMENTS

D598,603 S *	8/2009	Cunius .....	D26/138
D628,465 S *	12/2010	Hernandez .....	D8/356
D633,373 S *	3/2011	Grenade .....	D8/349
9,334,887 B2 *	5/2016	Leo, II .....	F16B 2/22
D759,474 S *	6/2016	Pittman .....	D8/395
2012/0061529 A1 *	3/2012	Hill .....	H01R 4/48 248/65

\* cited by examiner

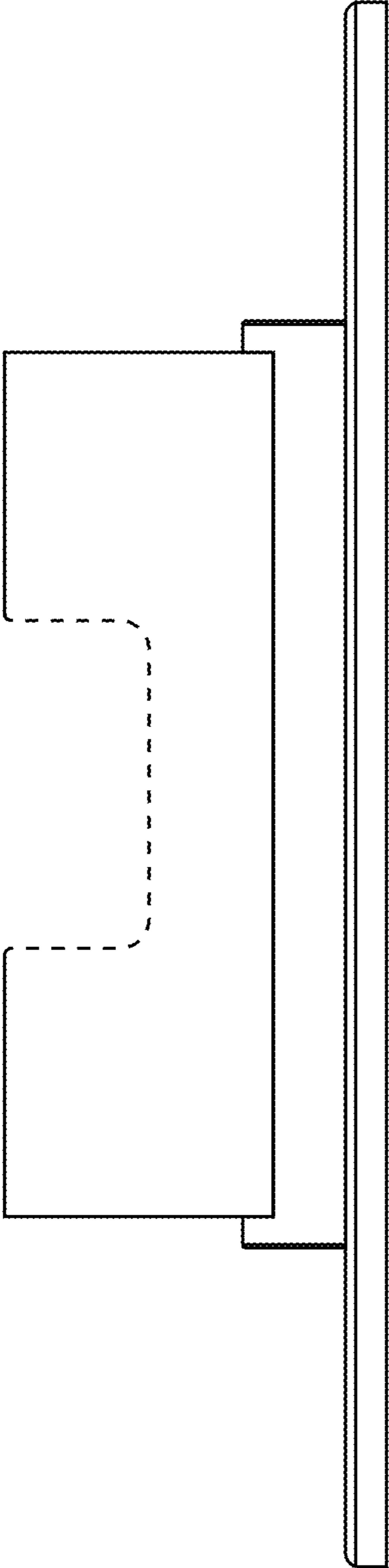


FIG. 1

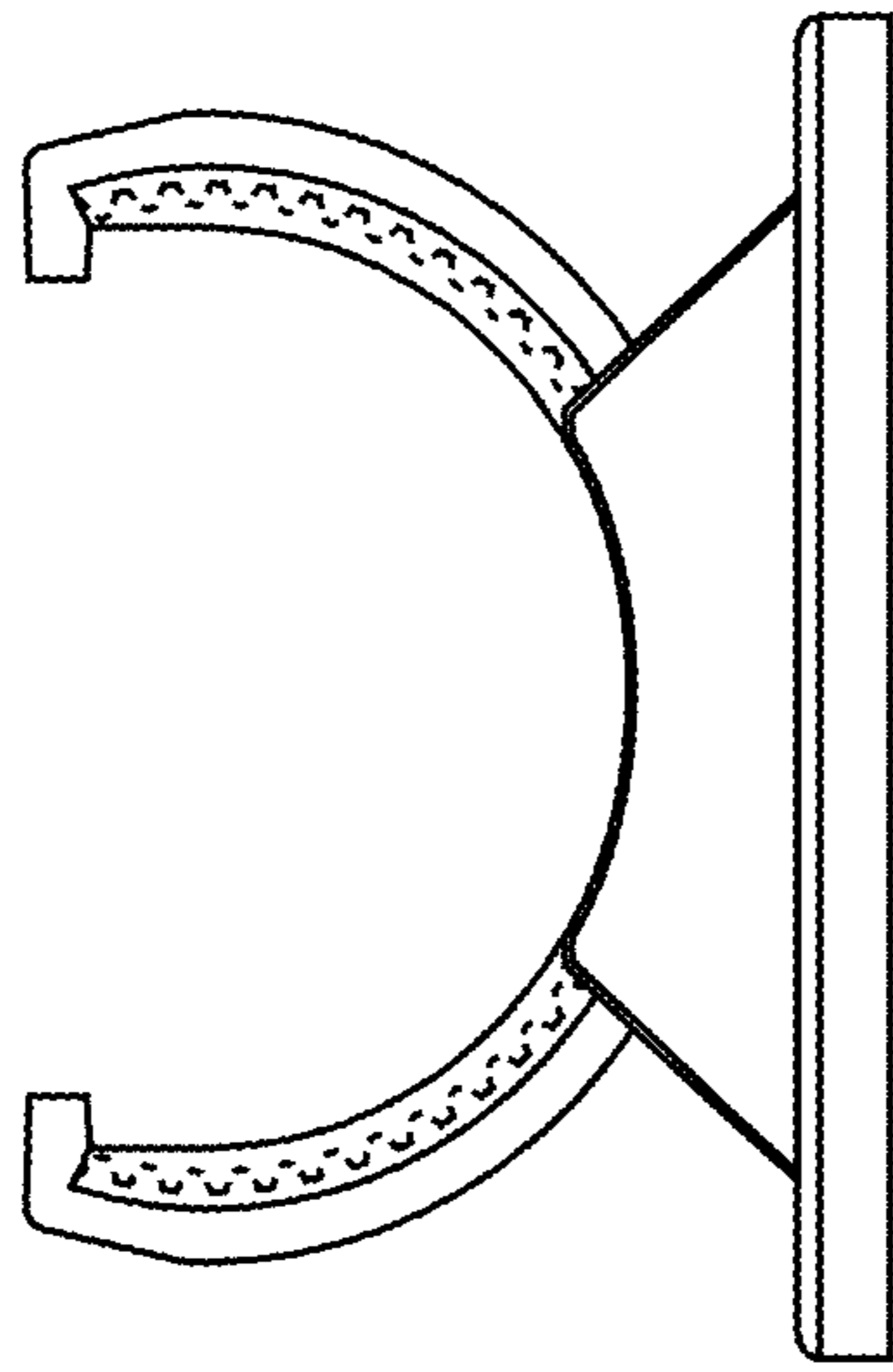


FIG. 2

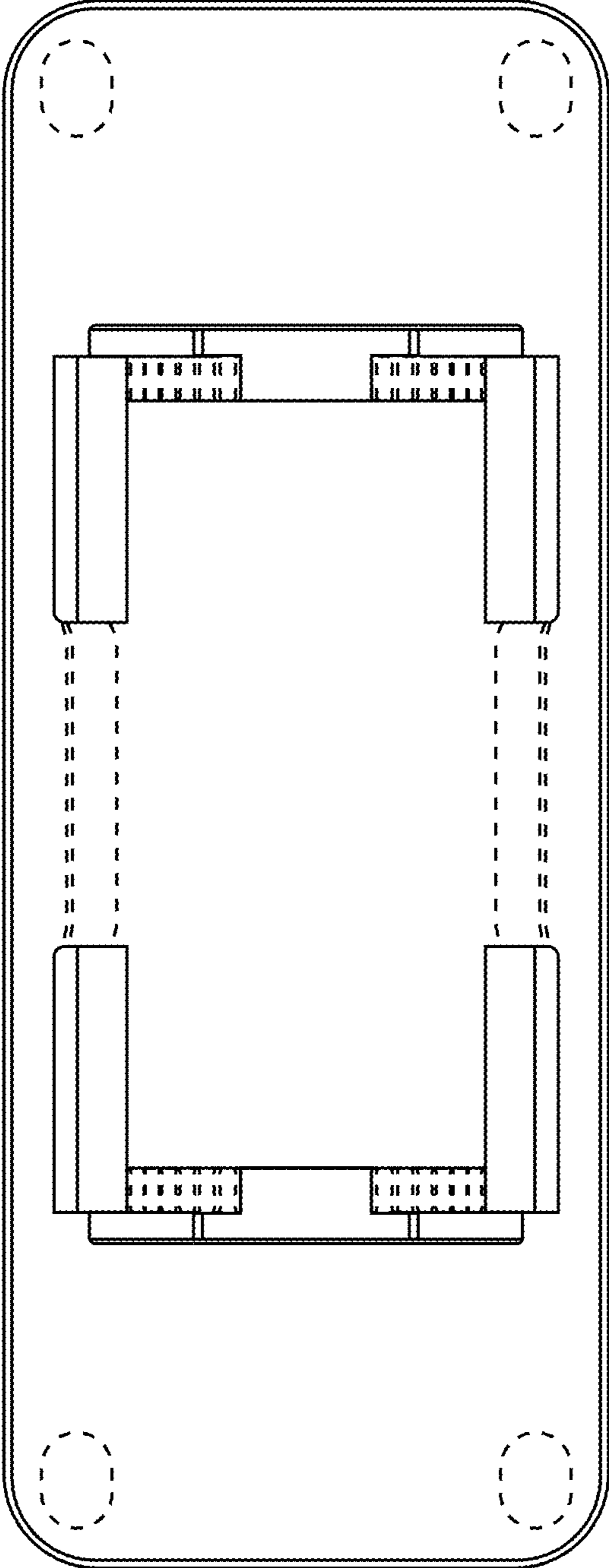


FIG. 3

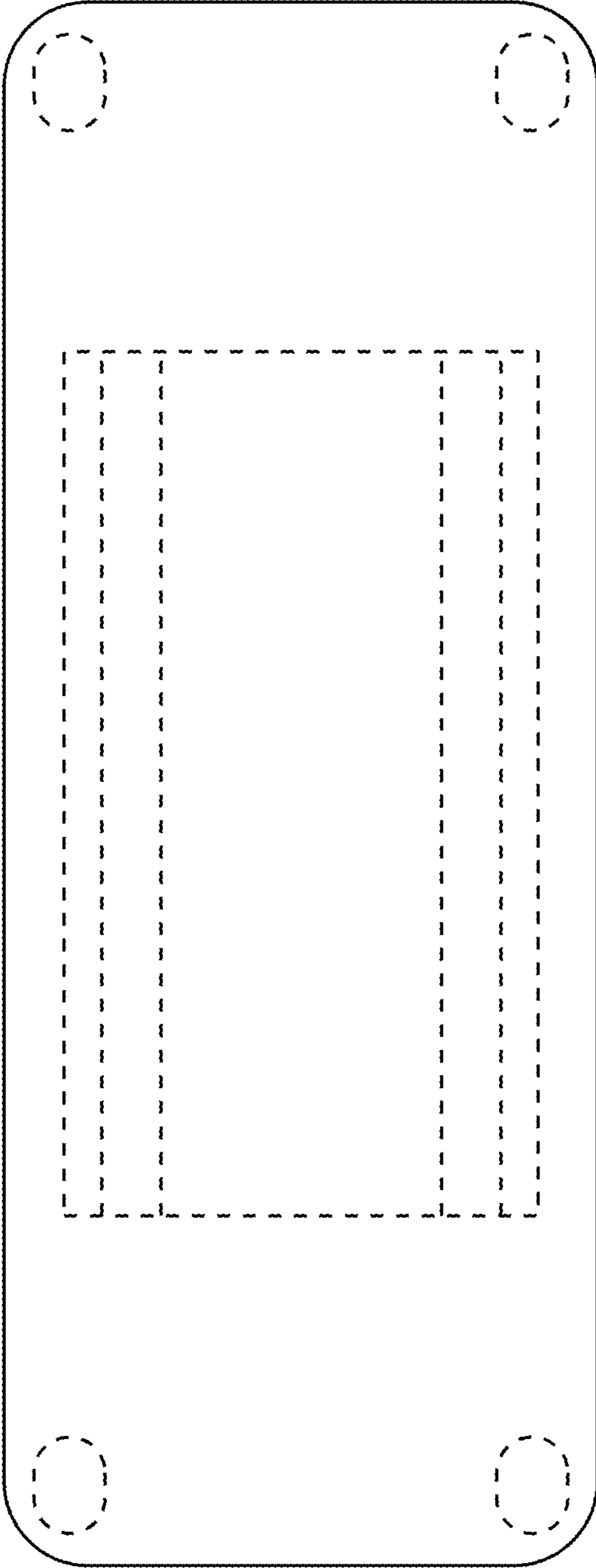


FIG. 4

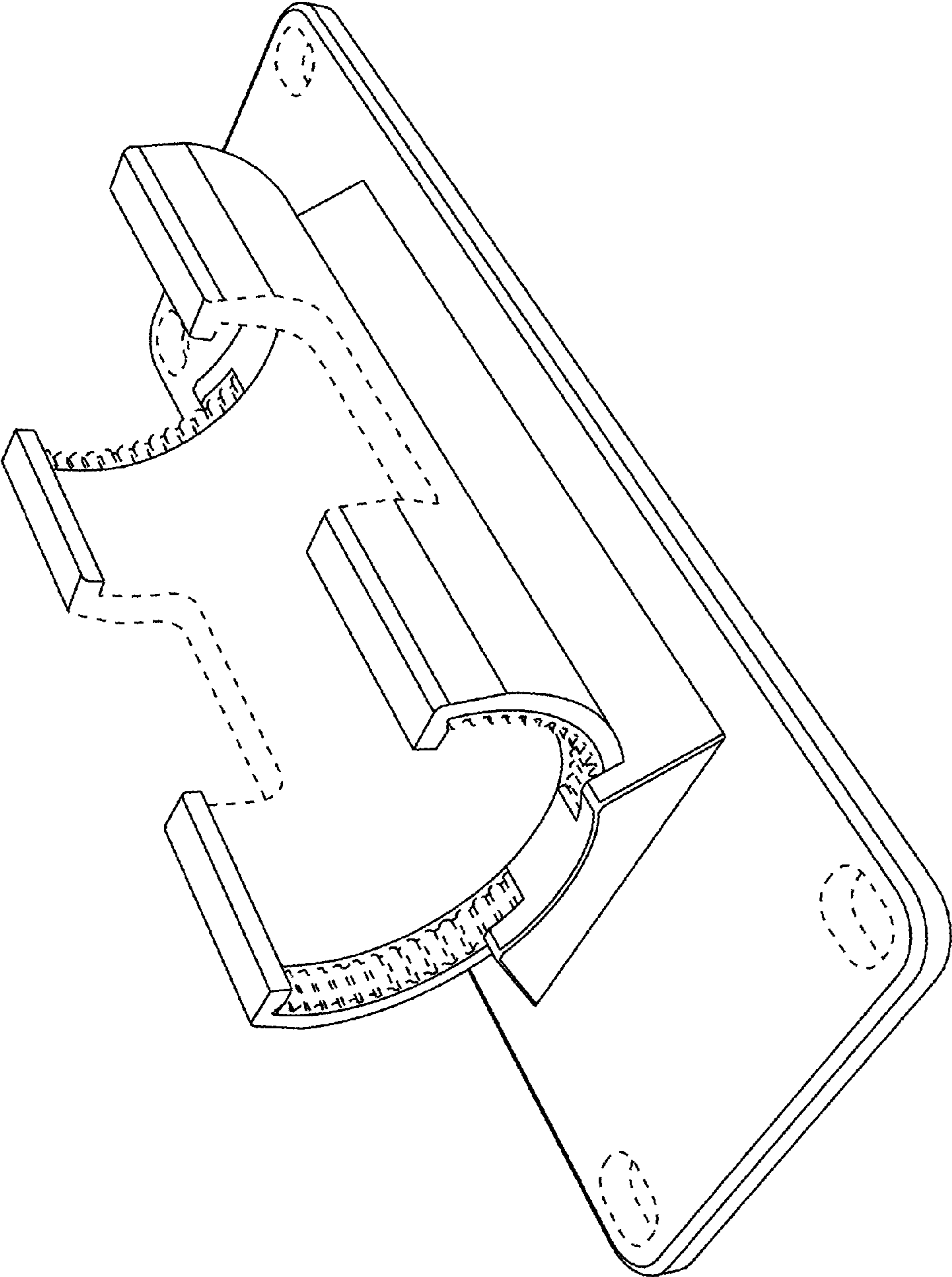


FIG. 5