



US00D783889S

(12) **United States Design Patent**
Wei

(10) **Patent No.:** **US D783,889 S**

(45) **Date of Patent:** **** Apr. 11, 2017**

(54) **WIDE ANGLE LIGHTHEAD OPTIC**

(71) Applicant: **Juluen Enterprise Co., Ltd.**, Shulin District, New Taipei (TW)

(72) Inventor: **Shao-Hua Wei**, Taipei (TW)

(73) Assignee: **JULUEN ENTERPRISE CO., LTD.**, New Taipei (TW)

(**) Term: **15 Years**

(21) Appl. No.: **29/547,501**

(22) Filed: **Dec. 4, 2015**

(51) **LOC (10) Cl.** **26-99**

(52) **U.S. Cl.**
USPC **D26/120**

(58) **Field of Classification Search**
USPC D26/61-71, 92, 93, 107, 118, 120, 122, D26/141, 85, 124
CPC F21S 9/03; F21S 8/085; F21S 8/086; F21S 8/043; F21S 6/002; F21S 6/003; F21W 2131/103; F21V 15/01; F21V 21/16; F21V 8/00; F21V 7/04; F21V 5/01
See application file for complete search history.

(56) **References Cited**

U.S. PATENT DOCUMENTS

D559,424 S * 1/2008 Martineau D26/85
D674,965 S * 1/2013 Lueken D26/120
8,382,338 B2 * 2/2013 Lee F21V 5/04
362/311.06

D714,994 S * 10/2014 Deyaf D26/120
D728,848 S * 5/2015 Reyes D26/118
D744,694 S * 12/2015 Goltche D26/120
D750,310 S * 2/2016 Cole D26/118
D757,992 S * 5/2016 Hsu D26/124

* cited by examiner

Primary Examiner — Brian N Vinson

(74) *Attorney, Agent, or Firm* — King & Schickli, PLLC

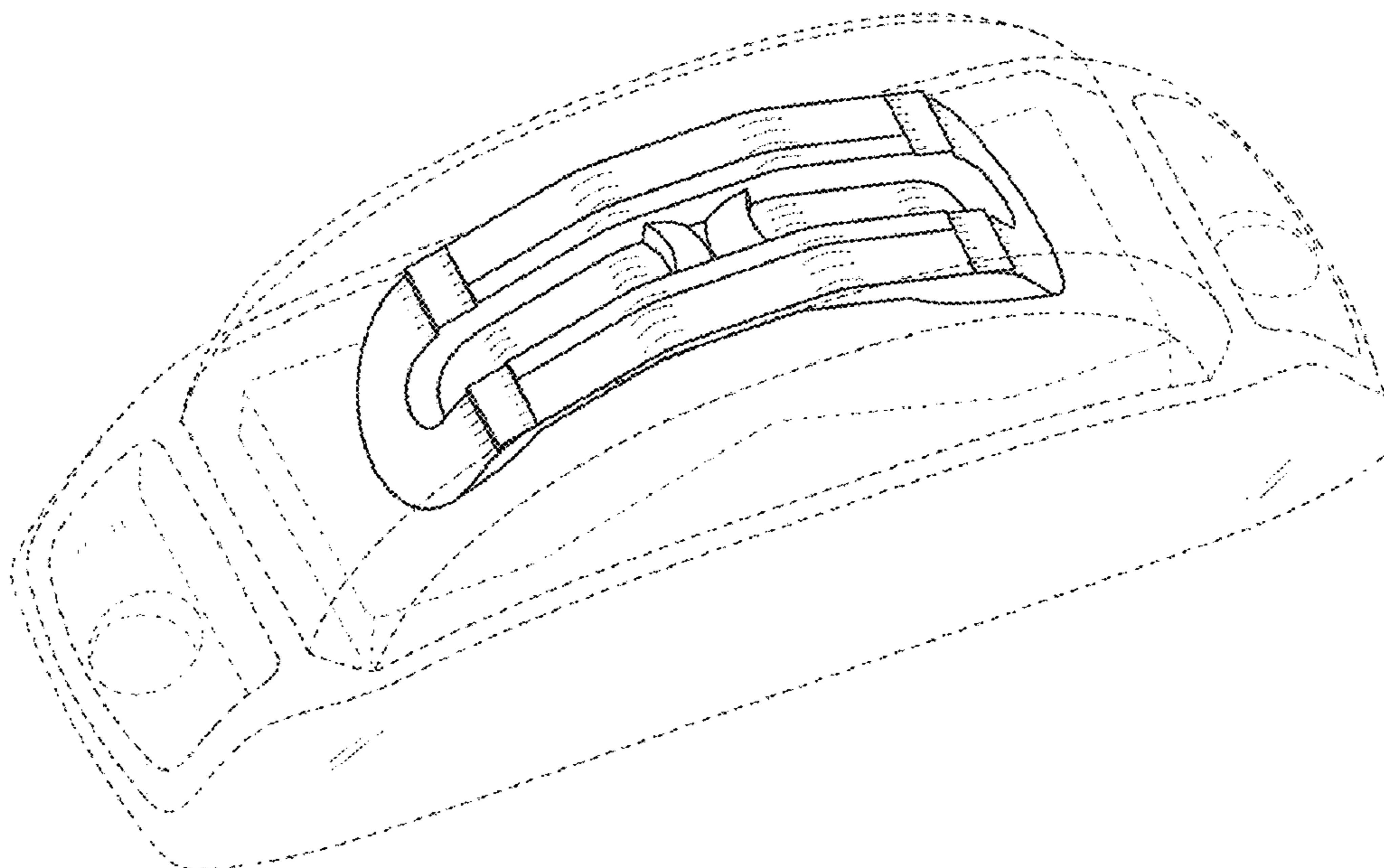
(57) **CLAIM**

The ornamental design for a wide angle lighthouse optic, as shown and described.

DESCRIPTION

FIG. 1 is a front perspective view of a wide angle lighthouse optic;
FIG. 2 is a rear perspective view of the wide angle lighthouse optic;
FIG. 3 is a top plan view of the wide angle lighthouse optic;
FIG. 4 is a bottom view of the wide angle lighthouse optic;
FIG. 5 is a right side view of the wide angle lighthouse optic;
FIG. 6 is a left side view of the wide angle lighthouse optic;
FIG. 7 is a front side view of the wide angle lighthouse optic;
FIG. 8 is a rear view of the wide angle lighthouse optic; and,
FIG. 9 is a front perspective view of the wide angle lighthouse optic positioned on a representative lighthouse.
The broken lines shown in the figures represent portions of the wide angle lighthouse that form no part of the claimed design.

1 Claim, 9 Drawing Sheets



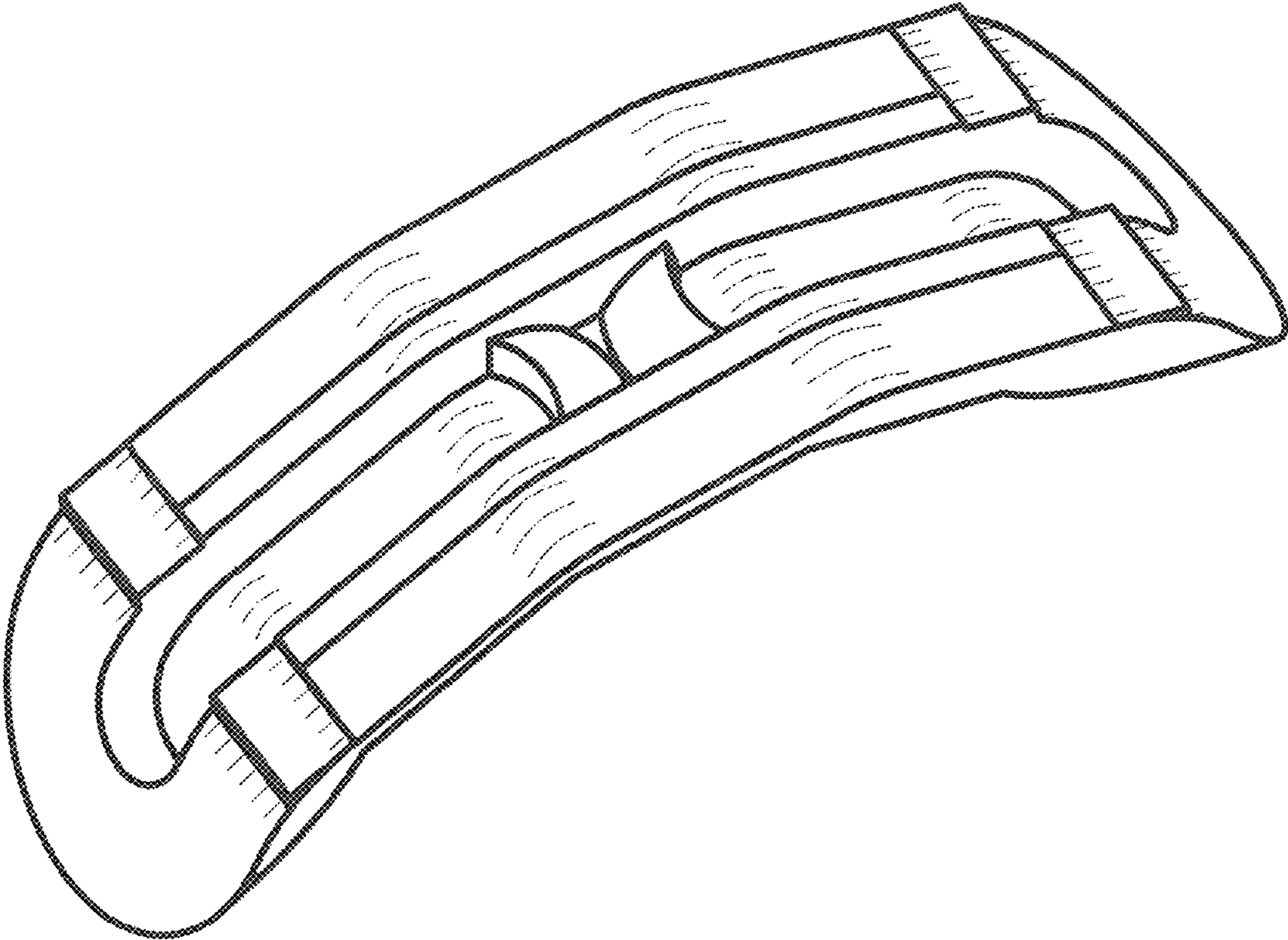


FIG. 1

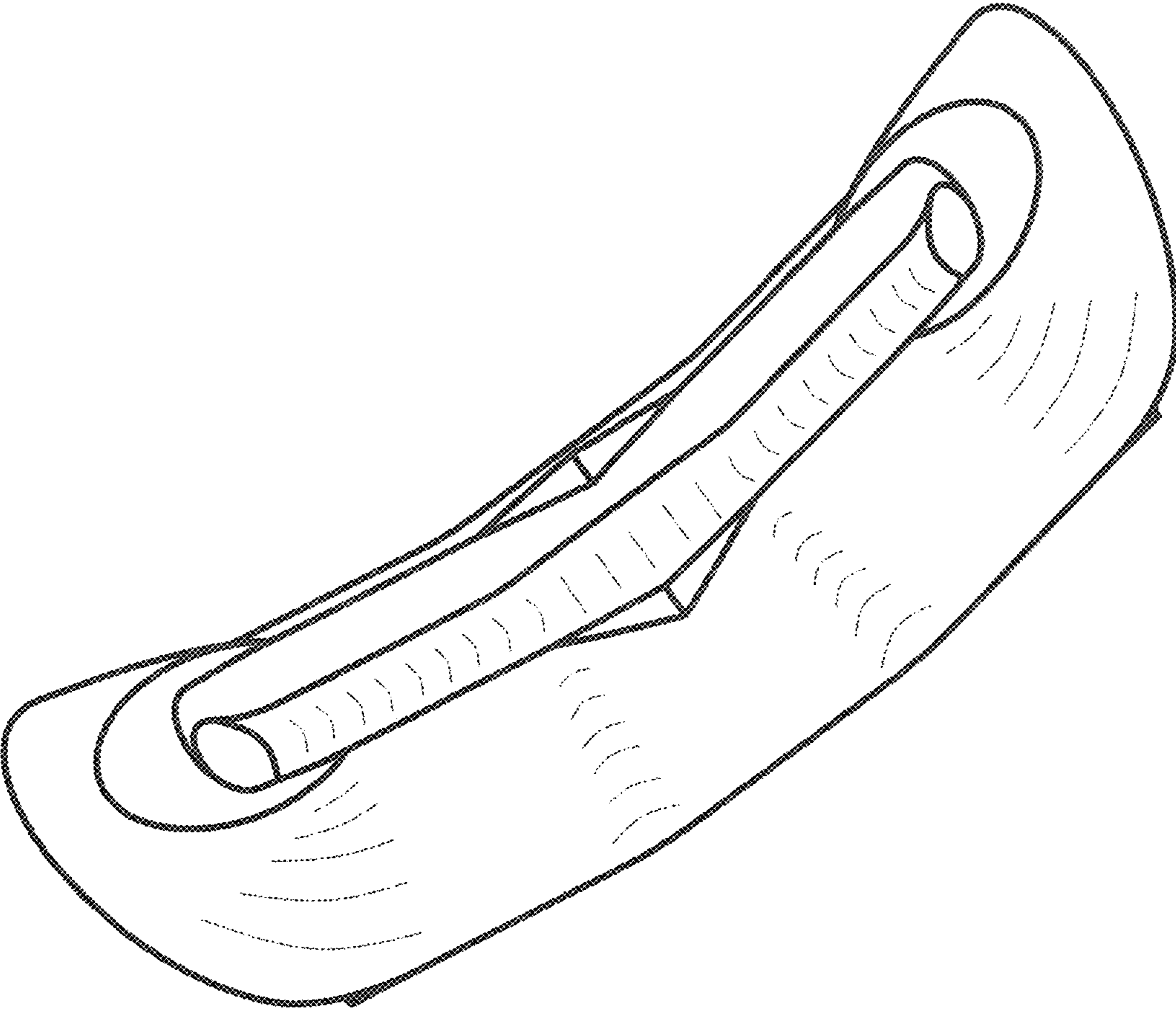


FIG. 2

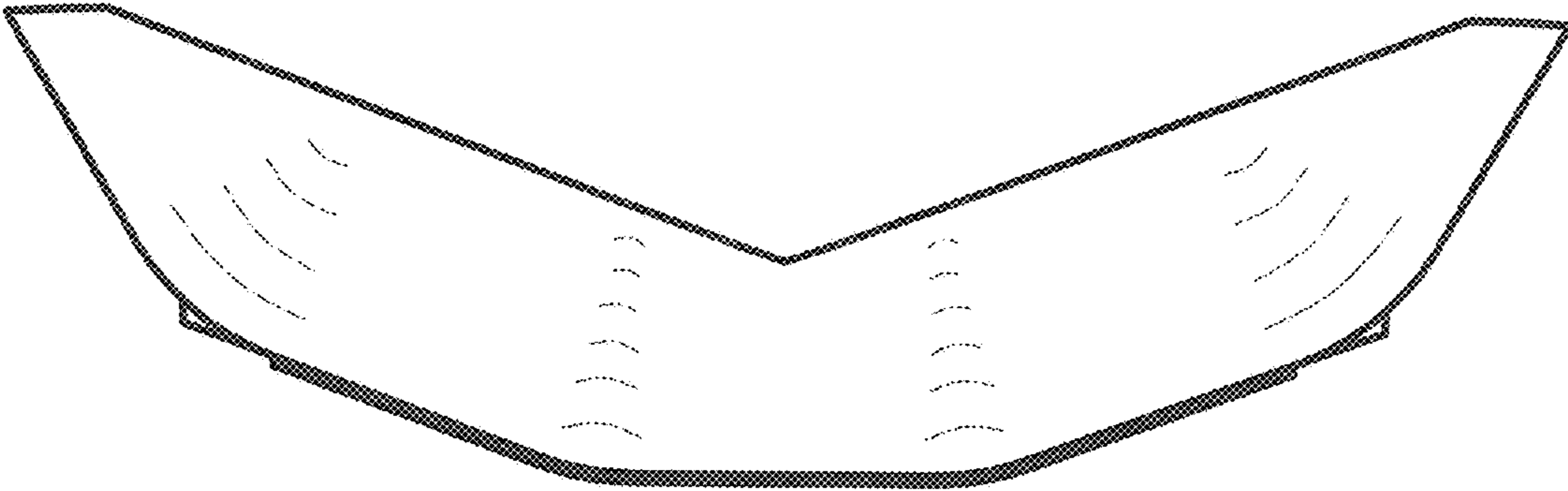


FIG. 3

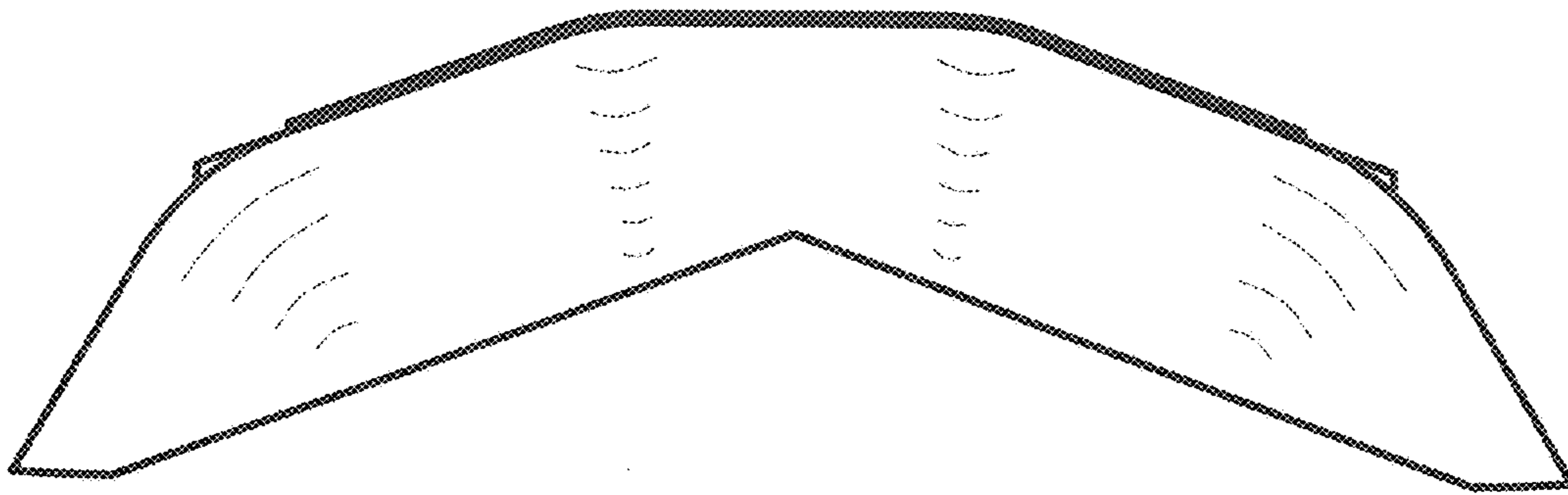


FIG. 4

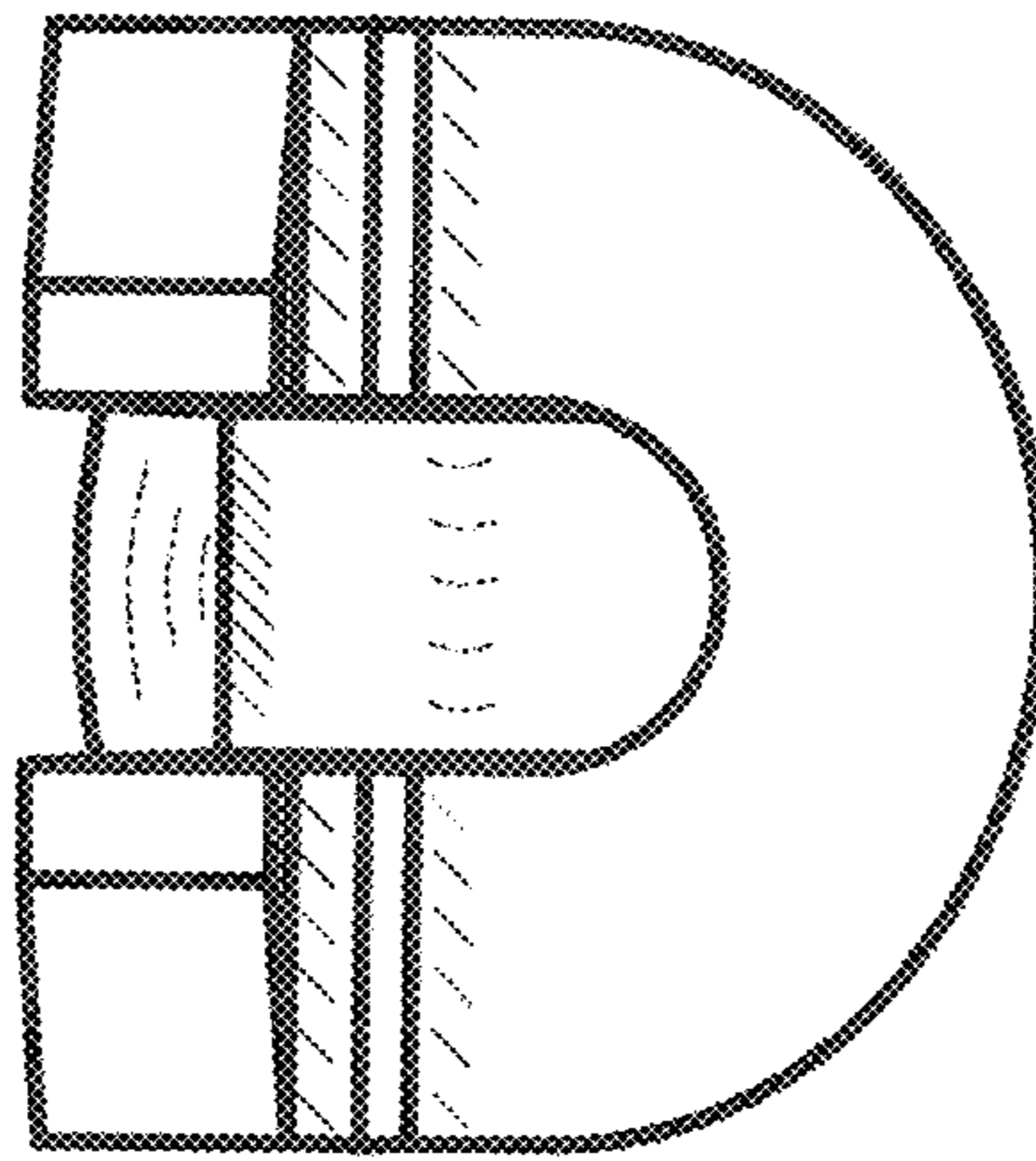


FIG. 5

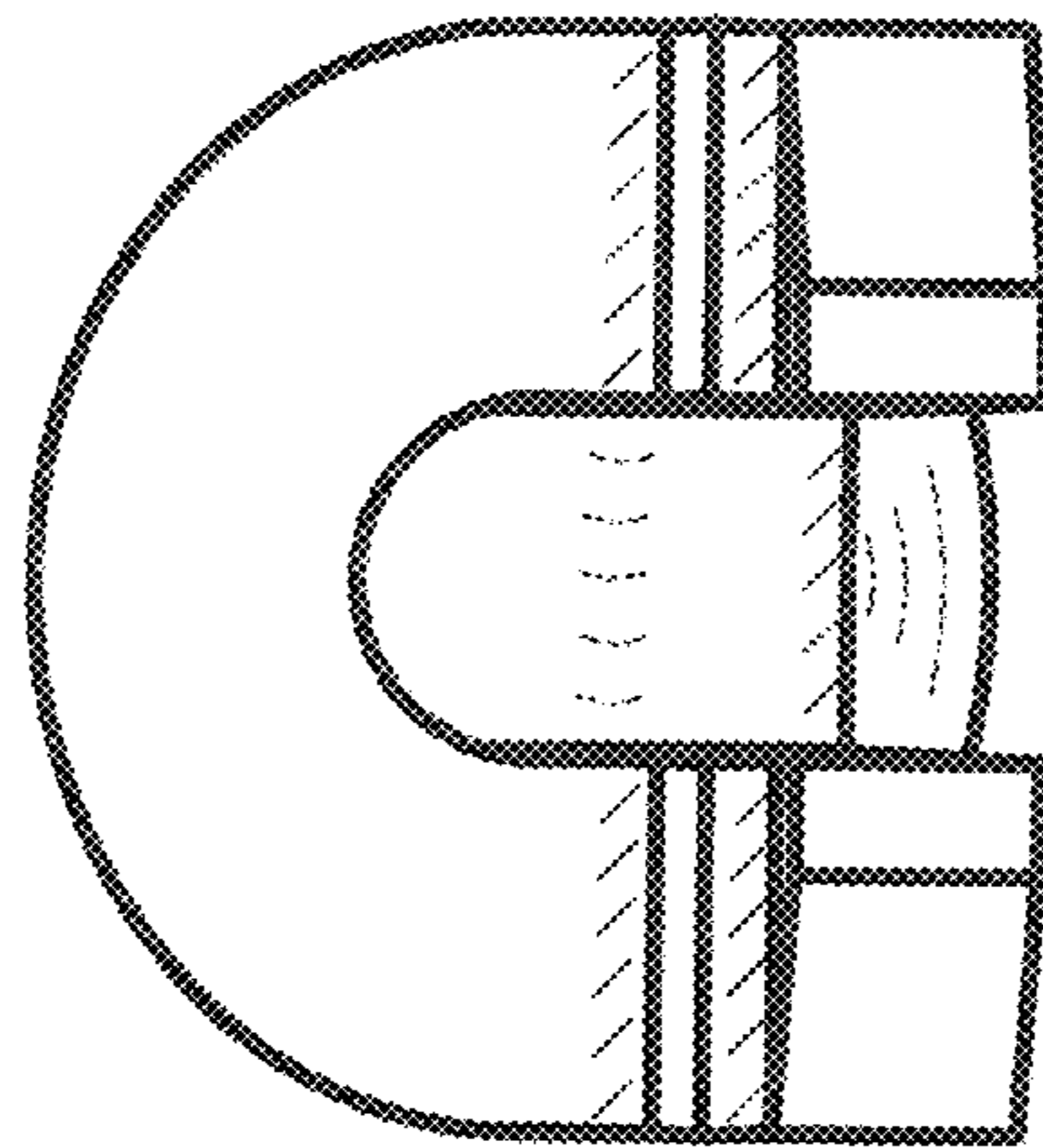


FIG. 6

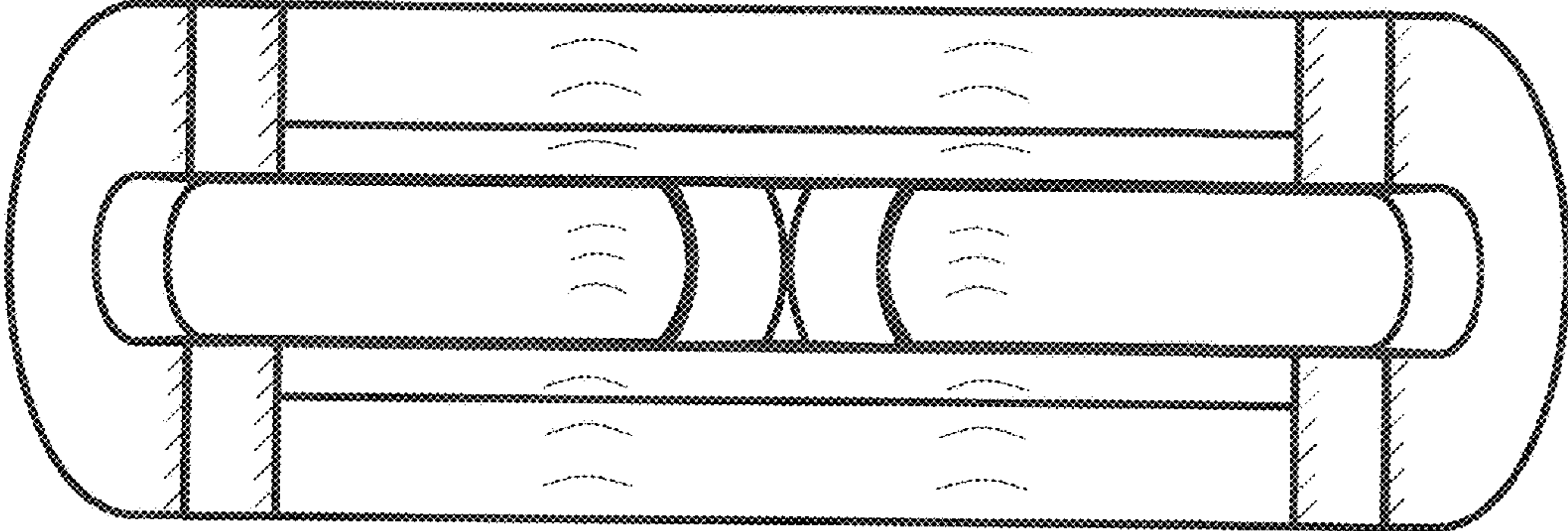


FIG. 7

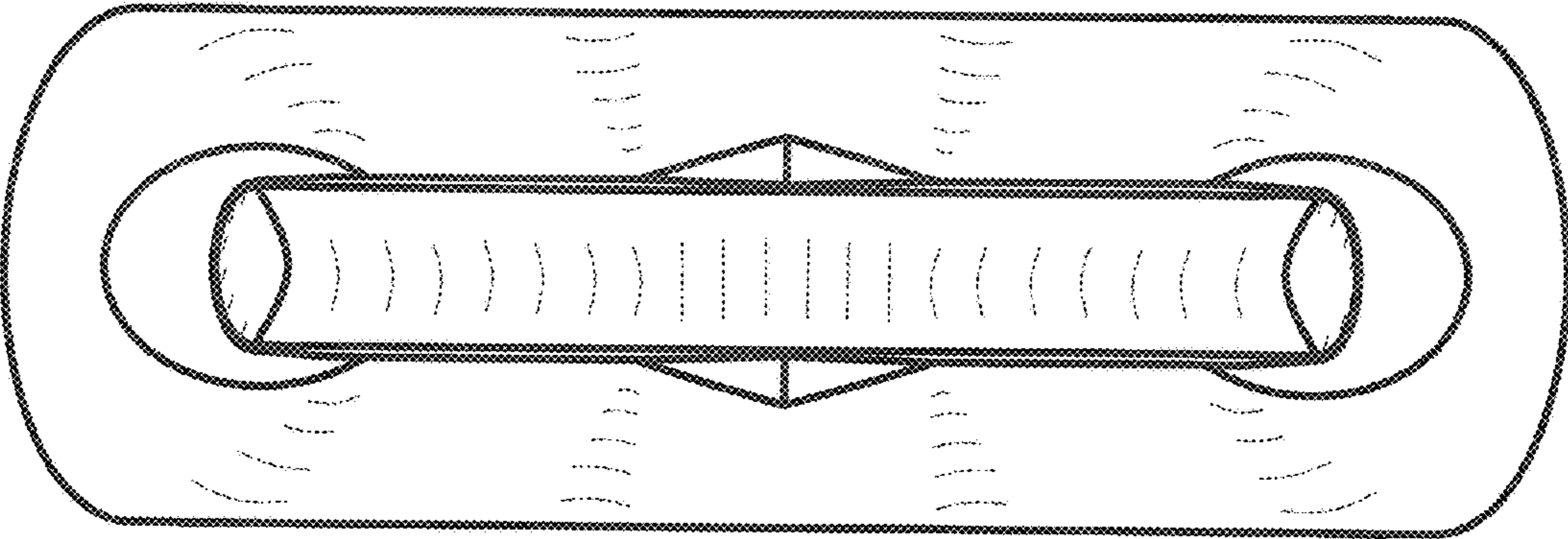


FIG. 8

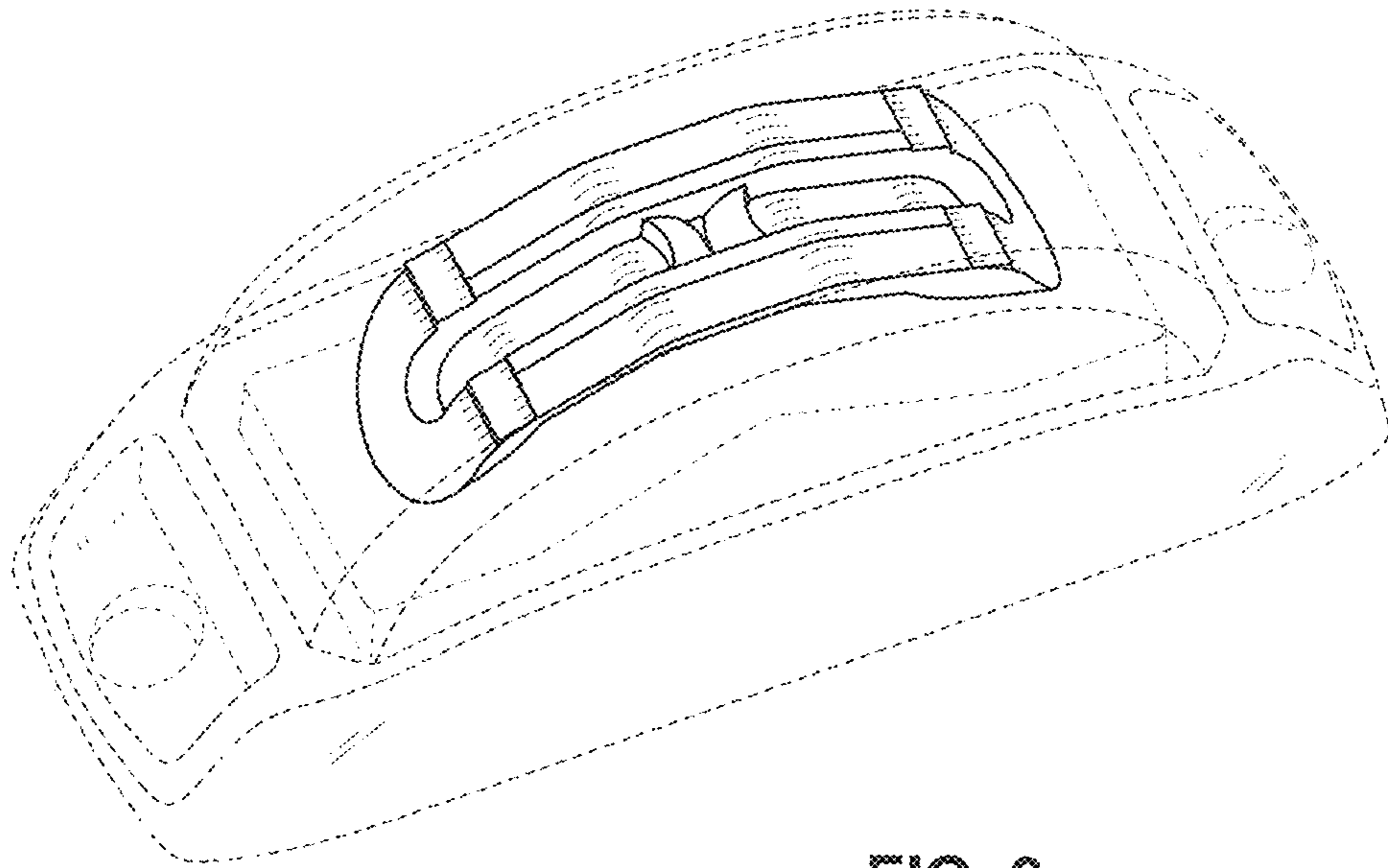


FIG. 9