



US00D783888S

(12) **United States Design Patent**
Reynolds

(10) **Patent No.:** **US D783,888 S**
(45) **Date of Patent:** **** Apr. 11, 2017**

(54) **HORTICULTURE GROW LIGHT**

FOREIGN PATENT DOCUMENTS

(71) Applicant: **IP Holdings, LLC**, Vancouver, WA (US)

CN ZL 201430166983.7 4/2015

(72) Inventor: **Chris Reynolds**, Vancouver, WA (US)

OTHER PUBLICATIONS

(73) Assignee: **IP Holdings, LLC**, Vancouver, WA (US)

Horticultural Lights, image post date Jul. 7, 2014, site visited Sep. 30, 2015 (online), <<http://web.archive.org/web/20140707223459/http://www.kindgreenbuds.com/cannabis-grow-bible/best-lighting-systems/>>.

(**) Term: **15 Years**

(Continued)

(21) Appl. No.: **29/552,189**

Primary Examiner — Kevin Rudzinski

(22) Filed: **Jan. 20, 2016**

Assistant Examiner — Sean D Lough

Related U.S. Application Data

(74) *Attorney, Agent, or Firm* — J. Douglas Wells

(63) Continuation of application No. 29/508,598, filed on Nov. 7, 2014, now Pat. No. Des. 751,244.

(51) **LOC (10) Cl.** **26-99**

(52) **U.S. Cl.**

USPC **D26/118**

(58) **Field of Classification Search**

USPC D10/18, 21, 24, 25, 27, 28, 46, 93, 104, D10/106, 113, 116.1, 121; D26/72, 113, D26/120, 124, 138, 118

CPC A63H 30/04; G05G 2009/04748; H04B 1/1027; F21S 8/04; F21S 2/005; F21S 2/00; B29D 21/04; F21V 15/015; F21V 27/00; F21V 21/14; F21V 21/005; F21Y 2103/00

See application file for complete search history.

(56) **References Cited**

U.S. PATENT DOCUMENTS

D106,614 S 10/1937 Waterbury
D123,768 S 12/1940 Scribner
D132,786 S 6/1942 Netting

(Continued)

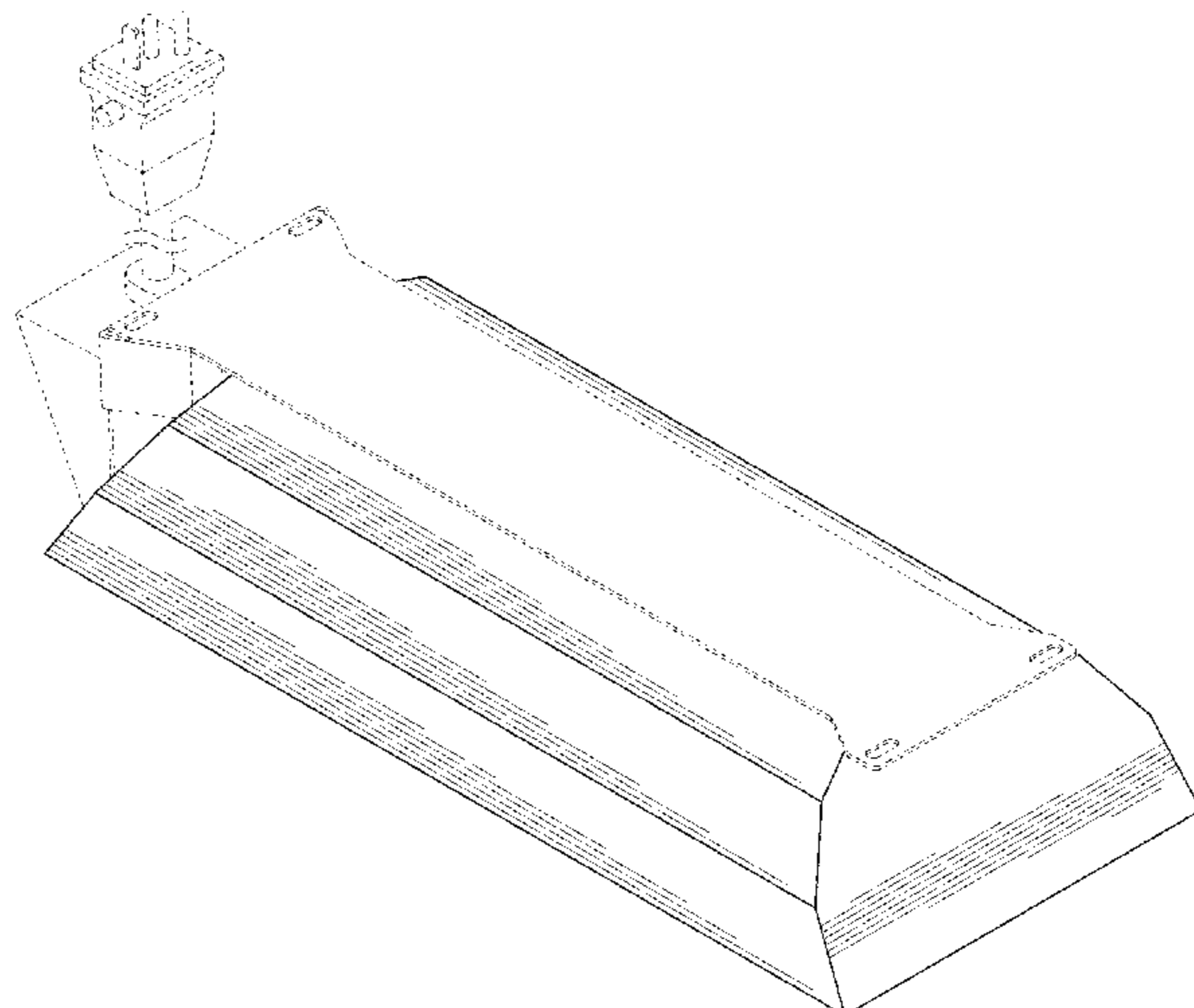
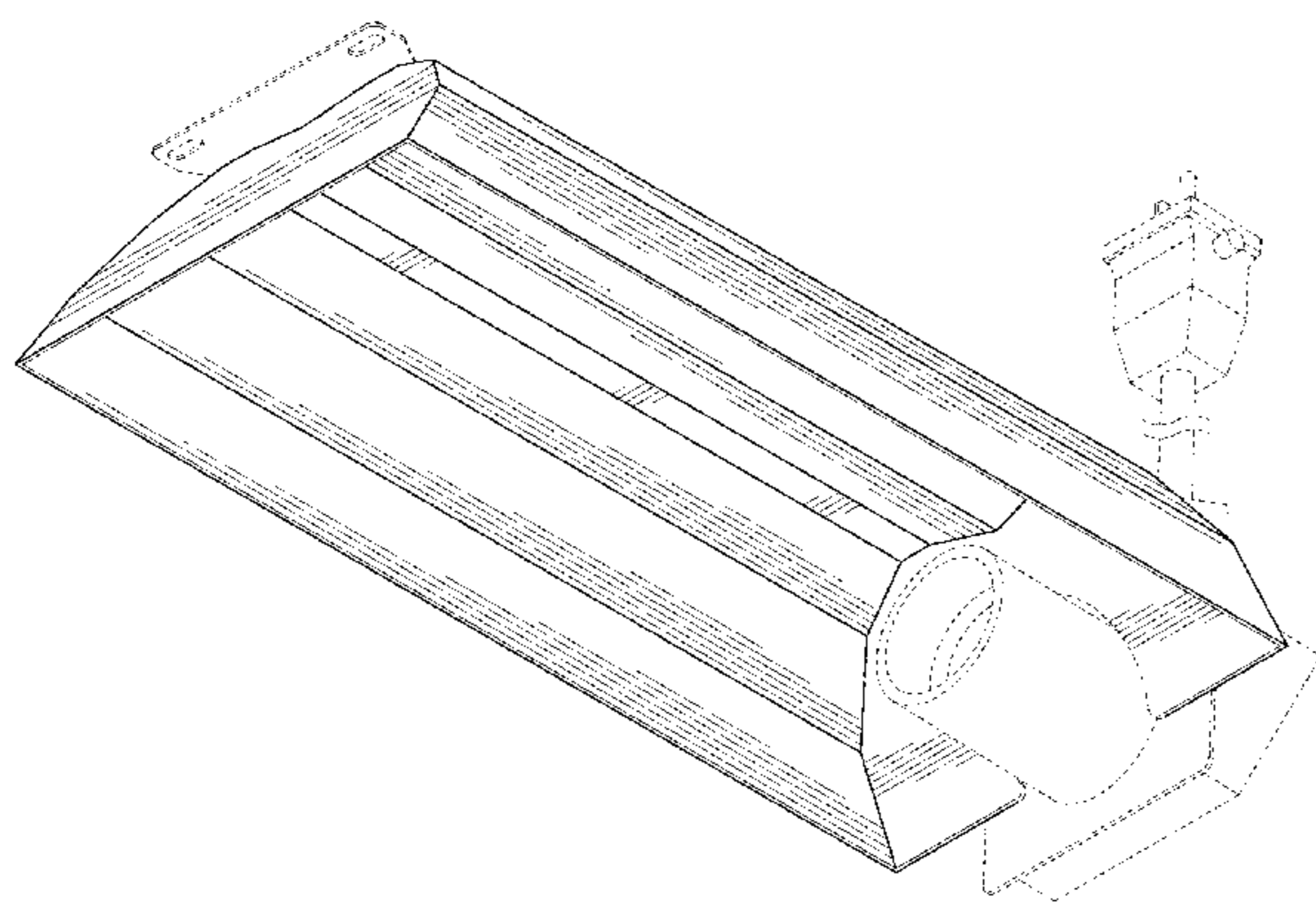
(57) **CLAIM**

The ornamental design for a horticulture grow light, as shown and described.

DESCRIPTION

FIG. 1 is a perspective view of a horticulture grow light, as viewed from below, showing my new design; FIG. 2 is a perspective view of the light shown in FIG. 1, as viewed from above; FIG. 3 is a right side view of the light shown in FIG. 1; FIG. 4 is a left side view of the light shown in FIG. 1; FIG. 5 is a rear elevation view of the light shown in FIG. 1; FIG. 6 is a front elevation view of the light shown in FIG. 1; FIG. 7 is a top plan view of the light shown in FIG. 1; and, FIG. 8 is a bottom plan view of the light shown in FIG. 1. The broken-line disclosure shown in the views is understood to represent portions of the article in which the claimed design is embodied, but which form no part of the claimed design.

1 Claim, 7 Drawing Sheets



(56)

References Cited

U.S. PATENT DOCUMENTS

D133,216 S 7/1942 Parlato
 D135,375 S 3/1943 Biller
 2,339,100 A * 1/1944 Netting F21S 8/02
 362/219
 D143,061 S 12/1945 Creed
 D156,014 S 11/1949 Lazerson
 2,740,883 A 4/1956 Michael
 2,740,885 A * 4/1956 Kruger F21S 8/04
 362/220
 3,272,978 A 9/1966 Jackson
 4,363,371 A * 12/1982 Hutchinson G01G 21/22
 177/262
 D268,287 S 3/1983 Boschetti
 4,531,180 A 7/1985 Hernandez
 4,779,178 A 10/1988 Spitz
 4,814,954 A 3/1989 Spitz
 4,933,821 A 6/1990 Anderson
 D311,597 S 10/1990 Poot
 5,253,152 A * 10/1993 Yang F21S 8/02
 362/221
 D352,126 S 11/1994 Ruud
 D377,234 S 1/1997 Roberts
 D413,176 S 8/1999 Mier-Langner
 6,053,624 A * 4/2000 Cronk F21V 7/10
 362/297
 D428,516 S 7/2000 Reo
 D447,272 S 8/2001 Smith
 D456,938 S 5/2002 Wardenburg
 D459,825 S 7/2002 Field
 D465,049 S 10/2002 Ludwig
 D469,564 S 1/2003 Brok
 6,527,422 B1 3/2003 Hutchison
 6,595,662 B2 7/2003 Wardenburg
 6,988,816 B2 * 1/2006 Witkowski F21V 7/005
 362/263
 D542,460 S 5/2007 Hargreaves
 D543,652 S 5/2007 Hargreaves
 D543,654 S 5/2007 Hargreaves
 D544,131 S 6/2007 Blackman
 D544,139 S 6/2007 Hargreaves
 D544,626 S 6/2007 Hargreaves
 D544,983 S 6/2007 Hargreaves
 D544,984 S 6/2007 Hargreaves
 D544,985 S 6/2007 Hargreaves
 D544,987 S 6/2007 Hargreaves
 D544,995 S 6/2007 Hargreaves
 D545,484 S 6/2007 Hargreaves
 D545,485 S 6/2007 Hargreaves
 D586,030 S 2/2009 Genova
 7,524,090 B2 4/2009 Hargreaves
 7,534,011 B2 * 5/2009 Townsley A01G 9/26
 362/264
 D613,900 S 4/2010 Hargreaves
 D614,801 S 4/2010 Collins
 7,722,208 B1 5/2010 Dupre
 7,722,228 B2 5/2010 Broer
 D633,640 S * 3/2011 Wauters D26/76
 D634,060 S 3/2011 Wardenburg
 D634,468 S 3/2011 Hargreaves
 D634,469 S 3/2011 Hargreaves
 D637,162 S 5/2011 Bridgman
 D637,752 S 5/2011 Mekhtarian
 7,959,331 B2 6/2011 Ho
 7,972,044 B2 7/2011 Burkhauser
 D661,833 S * 6/2012 Imajo D26/118
 8,209,912 B2 7/2012 Hargreaves
 D669,204 S 10/2012 Snell
 D670,850 S 11/2012 Helenowski

D672,911 S 12/2012 Mayfield
 D675,369 S 1/2013 Michaud
 8,348,481 B2 1/2013 Chang
 D676,185 S 2/2013 Piepgras
 D678,599 S 3/2013 Boyer
 D683,064 S 5/2013 Tuck
 D693,959 S 11/2013 Boyer
 D698,986 S 2/2014 Reynolds
 D698,987 S 2/2014 Stanley
 8,905,575 B2 * 12/2014 Durkee F21V 7/0008
 362/218
 D725,819 S 3/2015 Reynolds
 8,998,473 B1 * 4/2015 Anderson A01G 7/045
 362/253
 9,010,970 B2 4/2015 Guercio
 9,016,907 B2 4/2015 Stanley
 D731,701 S 6/2015 Hargreaves
 D732,233 S 6/2015 Reynolds
 D732,235 S 6/2015 Reynolds
 D732,236 S 6/2015 Reynolds
 D736,450 S 8/2015 Reynolds
 D737,134 S 8/2015 Thompson
 D737,498 S 8/2015 Stanley
 9,100,209 B2 8/2015 Steindl
 D739,595 S 9/2015 Reynolds
 D740,486 S 10/2015 Stanley
 D747,029 S 1/2016 Reynolds
 D748,849 S 2/2016 Stanley
 D750,312 S 2/2016 Reynolds
 D750,316 S 2/2016 Reynolds
 D751,244 S 3/2016 Reynolds
 D751,247 S 3/2016 Reynolds
 9,279,550 B2 * 3/2016 Torabifard F21K 9/58
 D757,323 S 5/2016 Reynolds
 D762,320 S 7/2016 Reynolds
 D765,306 S * 8/2016 Wardenburg D26/118
 D767,193 S * 9/2016 Jung D26/74
 9,453,639 B2 * 9/2016 Mandy F21S 8/026
 D769,514 S * 10/2016 Reynolds D26/118
 D770,670 S * 11/2016 Reynolds D26/118
 D770,671 S * 11/2016 Reynolds D26/118
 2001/0023173 A1 9/2001 Schiedegger
 2002/0141195 A1 10/2002 Wardenburg
 2008/0205030 A1 8/2008 Hargreaves
 2008/0205071 A1 8/2008 Townsley
 2008/0219008 A1 9/2008 Schaefer
 2008/0278950 A1 11/2008 Pickard
 2009/0262540 A1 10/2009 Hargreaves
 2009/0262543 A1 * 10/2009 Ho F21V 15/01
 362/373
 2009/0310373 A1 * 12/2009 Burkhauser A01G 9/26
 362/373
 2009/0323335 A1 12/2009 Yang
 2012/0051041 A1 * 3/2012 Edmond F21S 8/026
 362/231
 2013/0083539 A1 4/2013 Dimitriadis
 2015/0082692 A1 3/2015 Wardenburg
 2015/0252993 A1 9/2015 Stanley

OTHER PUBLICATIONS

Horticultural Lighting, image post date Sep. 2008, site visted Sep. 30, 2015, (online), <<http://www.dendroboard.com/forum/sponsor-classifieds/104681-grow-your-own-plants-horticulture-neherp.html>>.
 Steel S Section, image post date Aug. 30, 2000, site visted Sep. 30, 2015 (online), <<http://web.archive.org/web/20000830093120/http://www.efunda.com/math/areas/RolledSteelBeamsS.cfm>>.

* cited by examiner

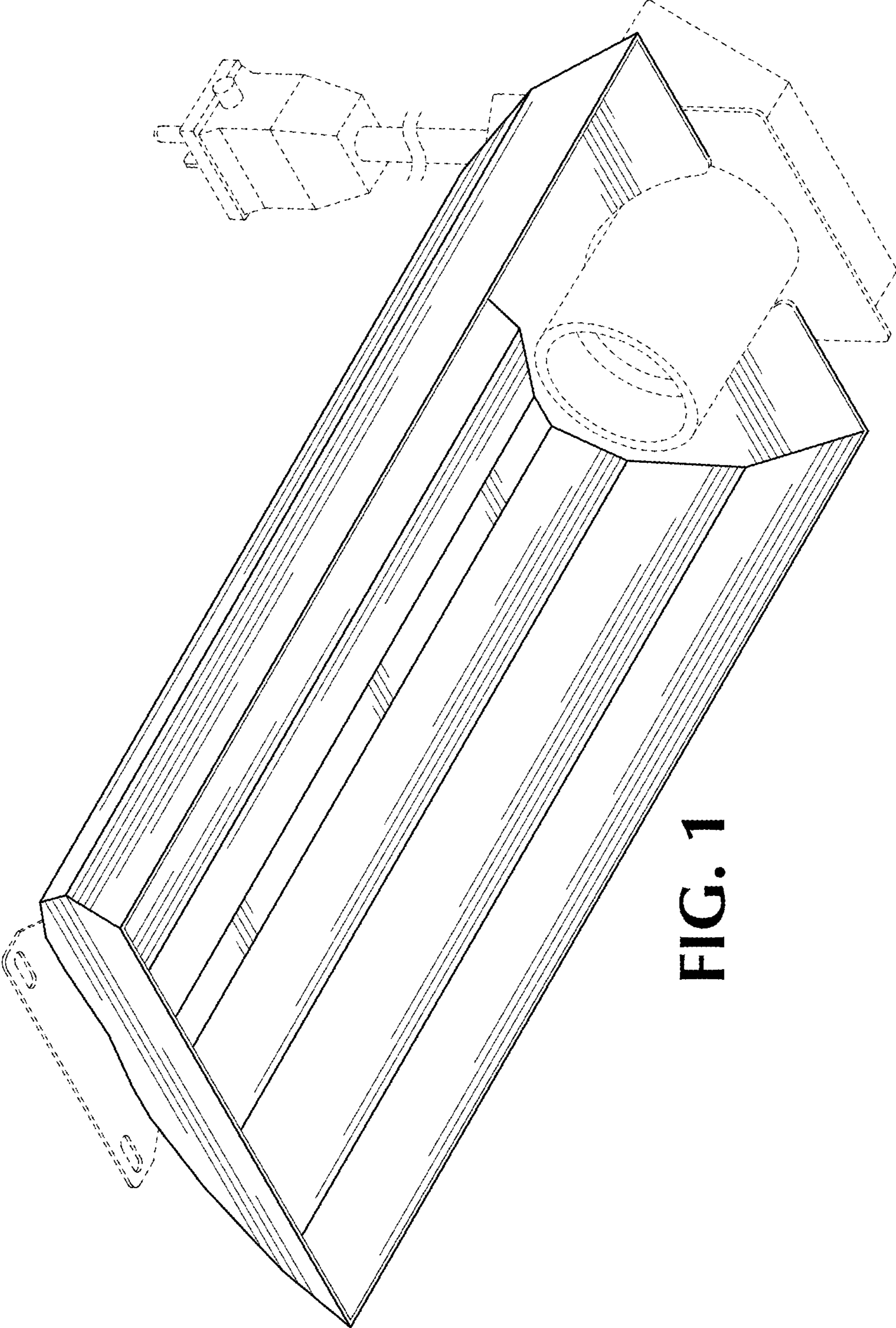


FIG. 1

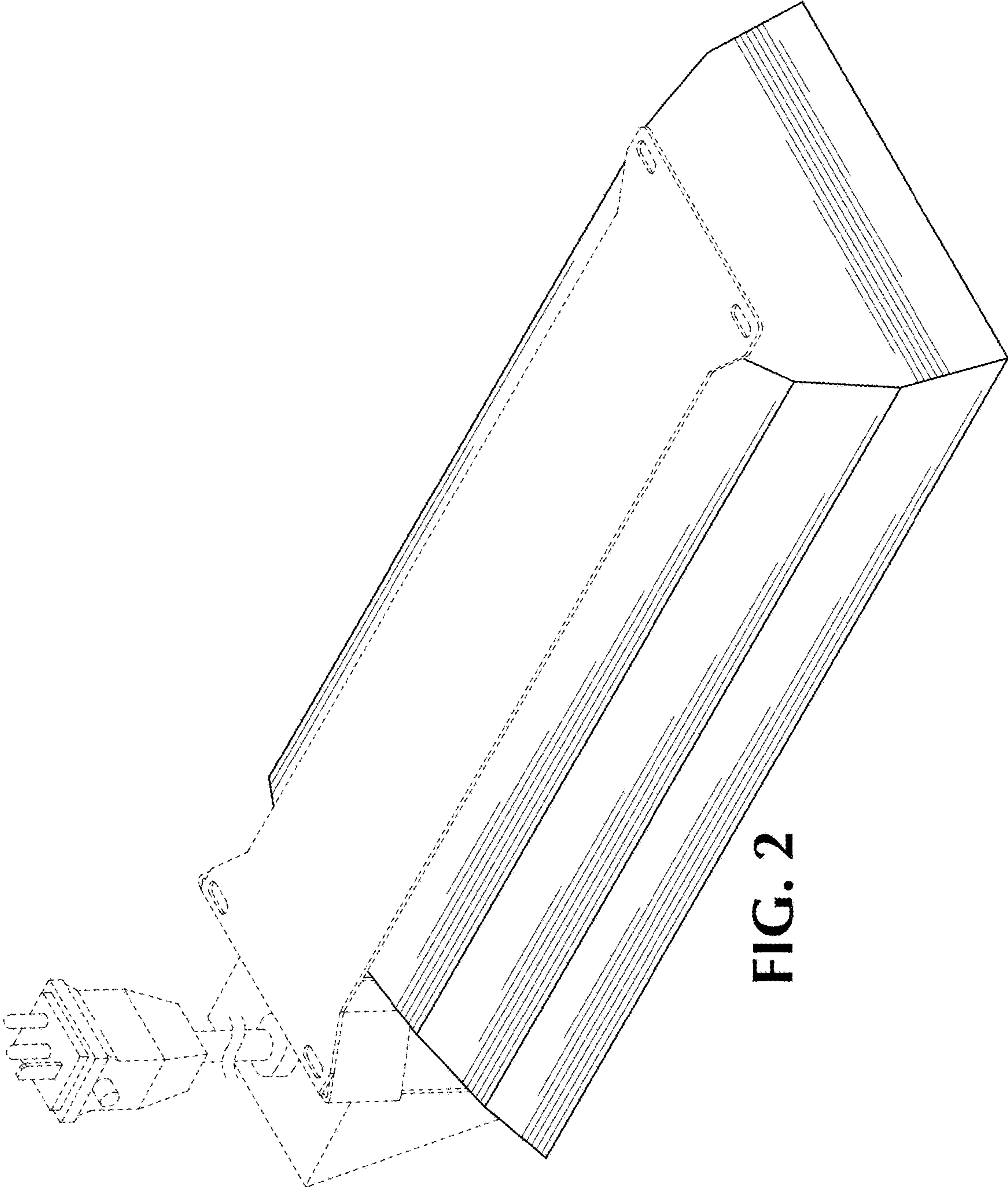


FIG. 2

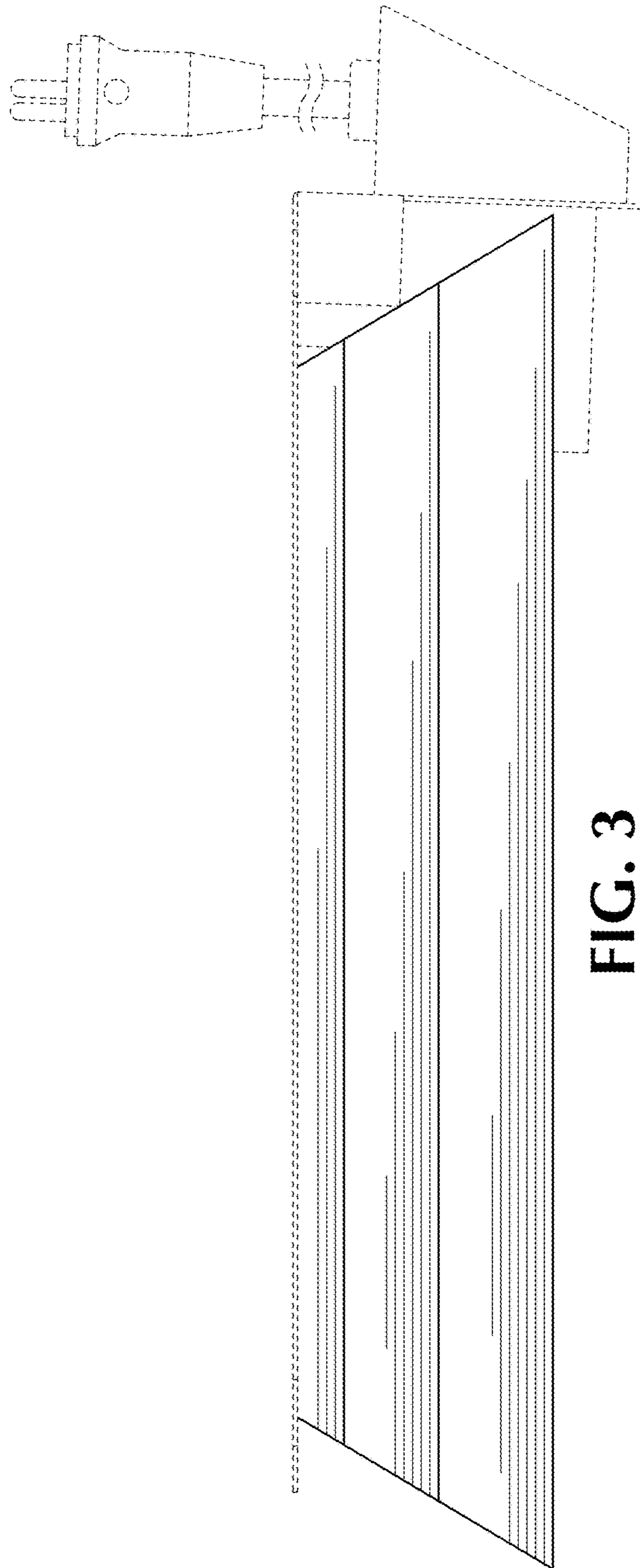


FIG. 3

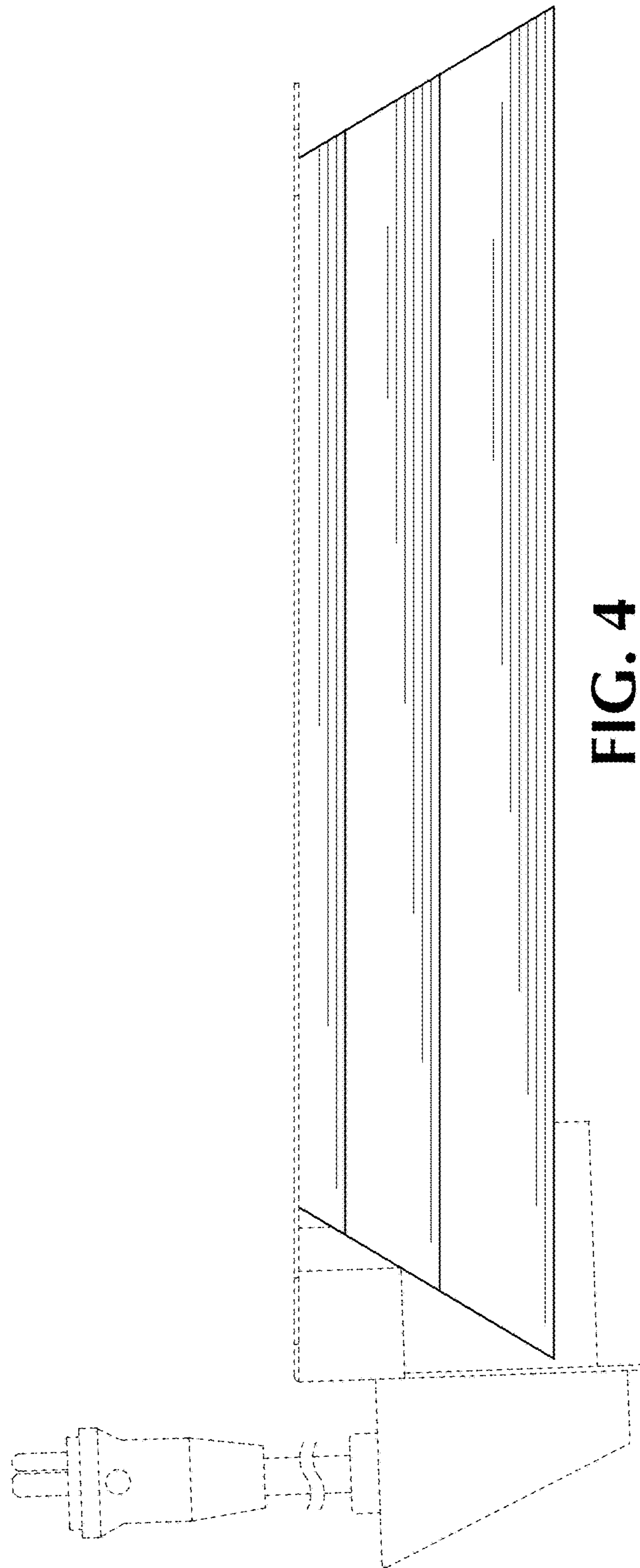


FIG. 4

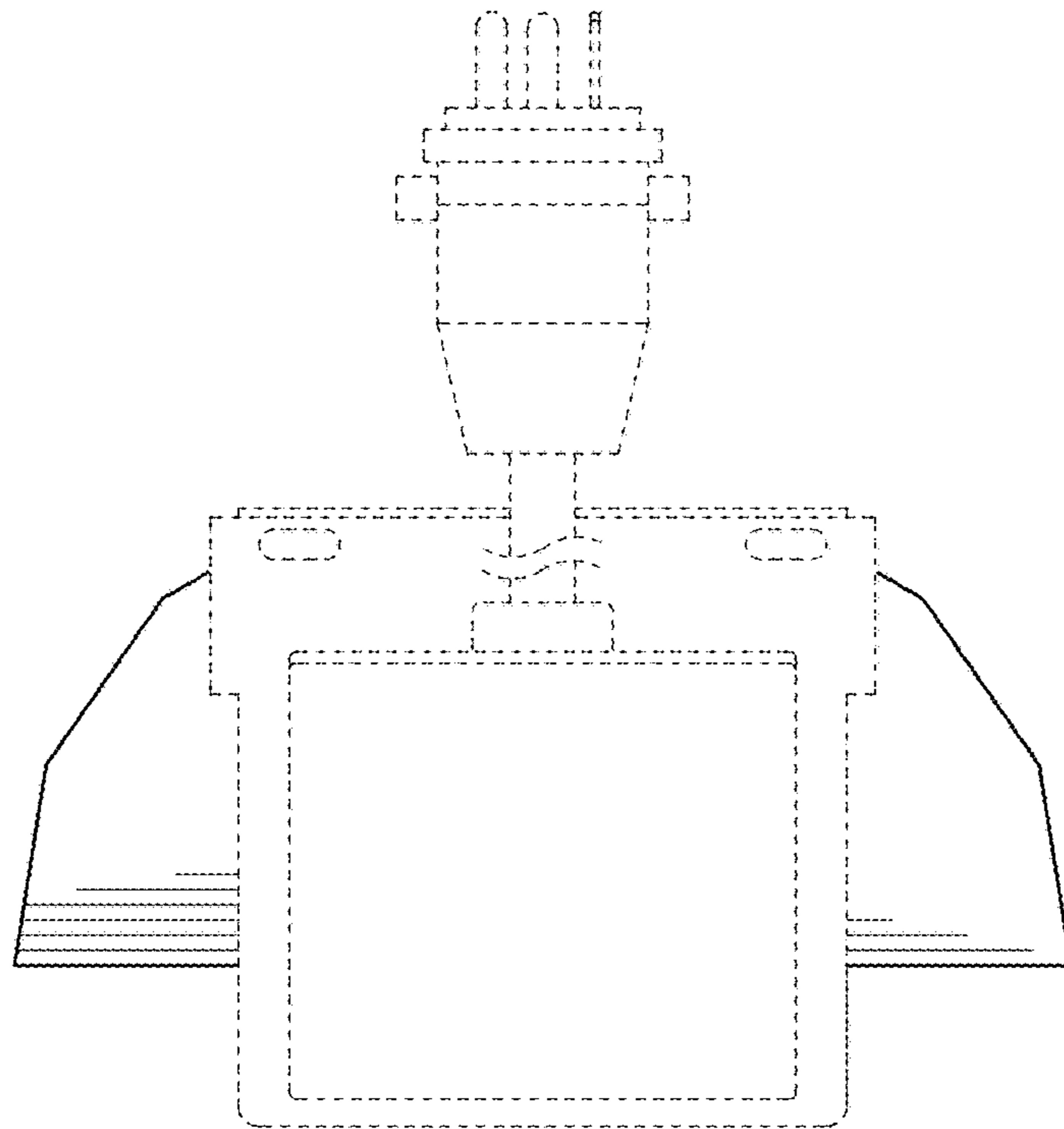


FIG. 5

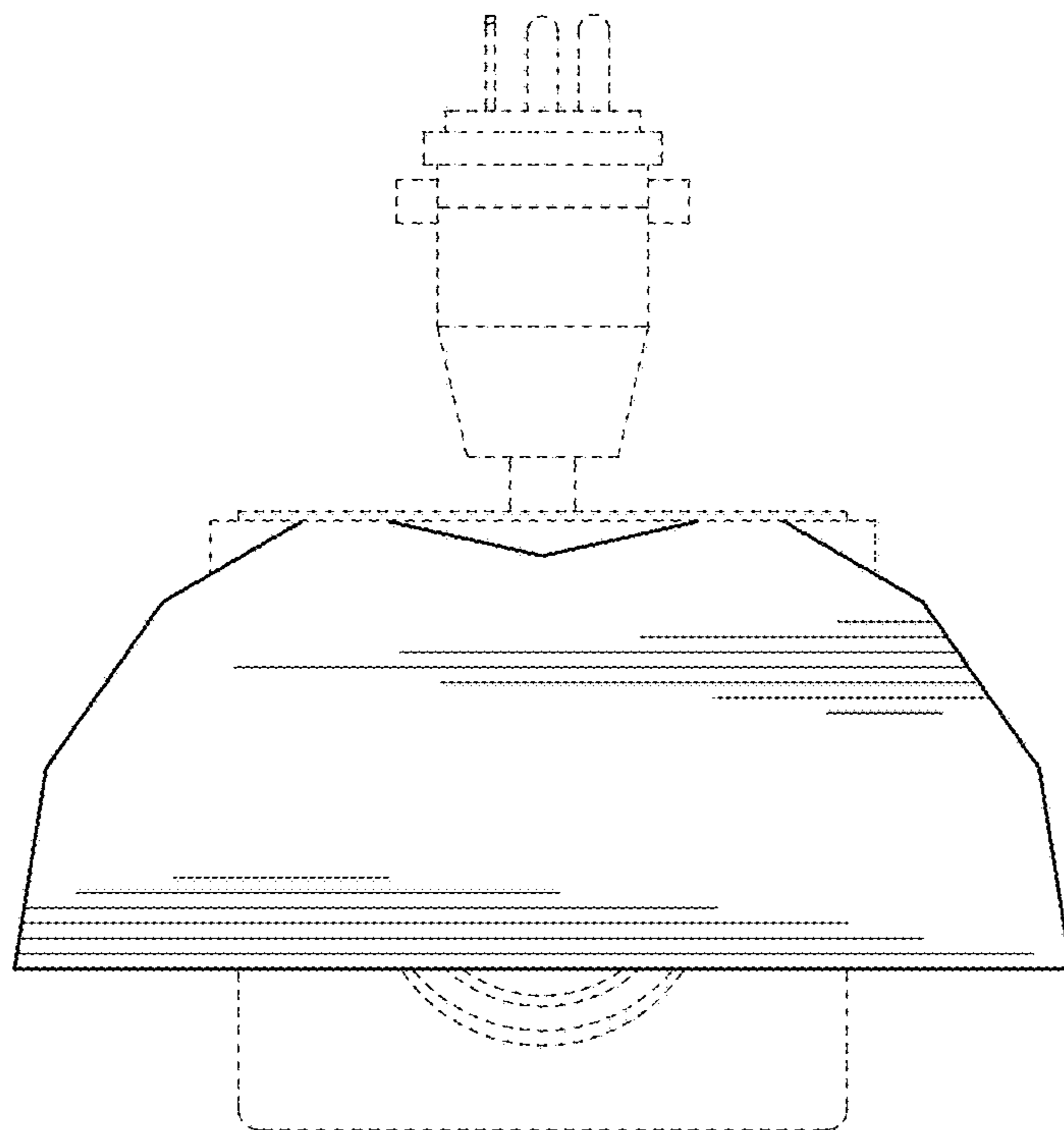


FIG. 6

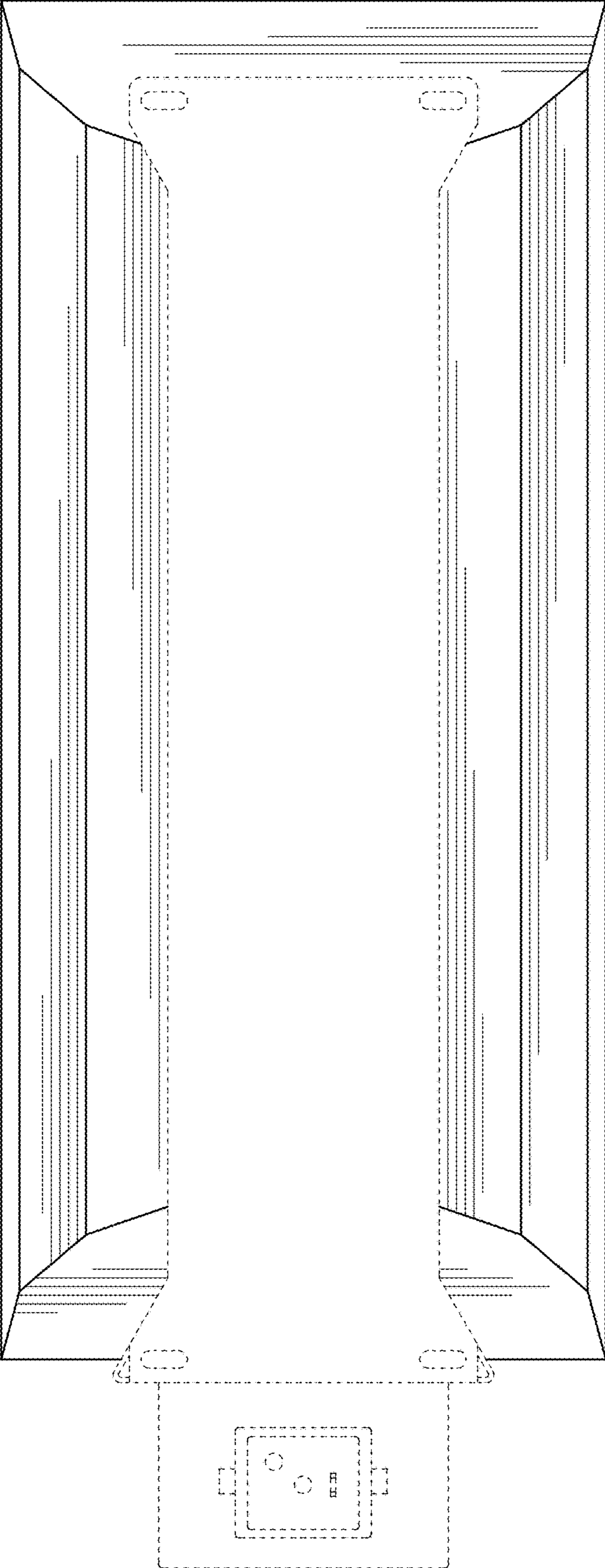


FIG. 7

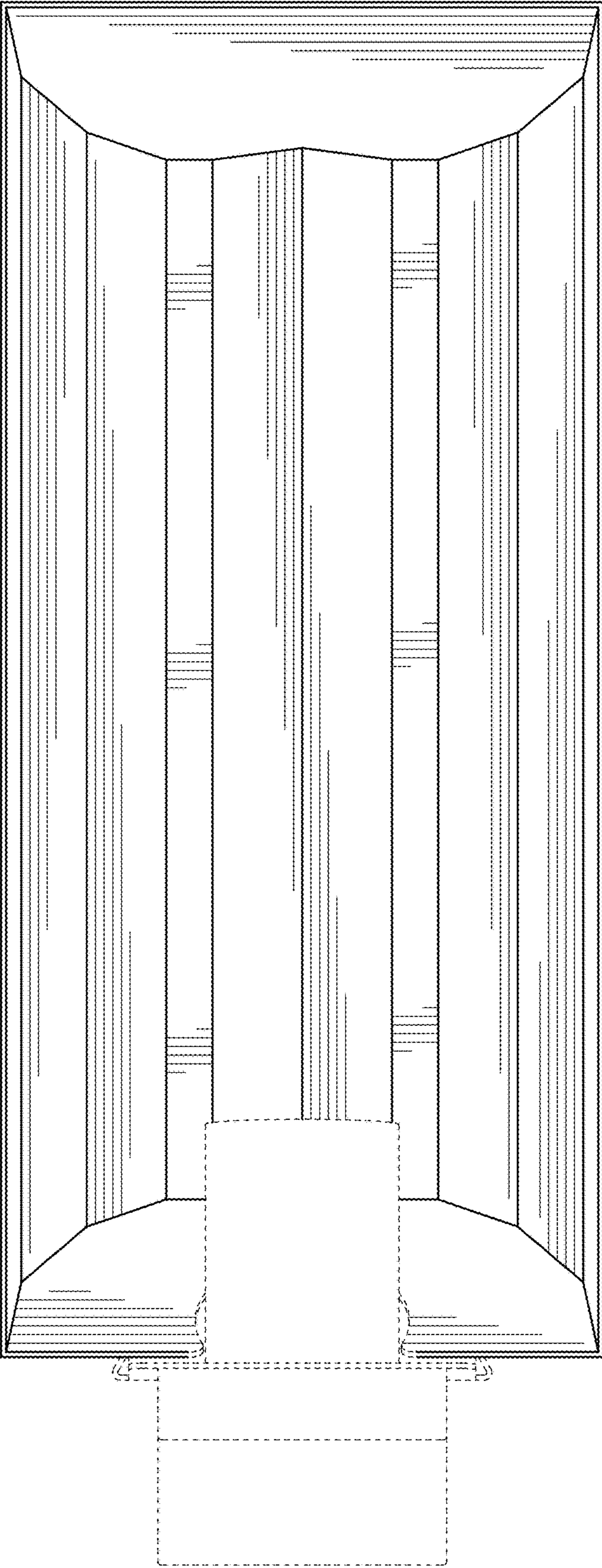


FIG. 8