



US00D783885S

(12) **United States Design Patent**  
**Kinnune et al.**

(10) **Patent No.:** **US D783,885 S**

(45) **Date of Patent:** **\*\* Apr. 11, 2017**

(54) **LUMINAIRE**

(71) Applicant: **Cree, Inc.**, Durham, NC (US)

(72) Inventors: **Brian Kinnune**, Racine, WI (US);  
**David P. Goelz**, Milwaukee, WI (US);  
**Kurt S. Wilcox**, Libertyville, IL (US);  
**Andrew Dan Bendtsen**, Milwaukee,  
WI (US); **Sandeep Pawar**, Elmhurst, IL  
(US)

(73) Assignee: **Cree, Inc.**, Durham, NC (US)

(\*\*) Term: **14 Years**

(21) Appl. No.: **29/517,159**

(22) Filed: **Feb. 10, 2015**

(51) **LOC (10) Cl.** ..... **26-03**

(52) **U.S. Cl.**

USPC ..... **D26/92**

(58) **Field of Classification Search**

USPC ..... D26/67-72, 92

CPC .. F21S 8/033; F21S 8/036; F21S 8/085; F21S  
8/086; F21S 8/088; F21S 9/03; F21S  
9/032; F21S 9/035; F21S 9/037; F21W  
2131/103; F21W 2131/107

See application file for complete search history.

(56) **References Cited**

**U.S. PATENT DOCUMENTS**

D186,786 S *	12/1959	Pettengill et al.	.....	D26/71
D201,700 S *	7/1965	Stockwell	.....	D26/71
3,253,139 A *	5/1966	Anderson	.....	F21S 8/086 250/215
3,264,465 A *	8/1966	Rex	.....	F21S 8/086 250/215
4,595,971 A *	6/1986	Dean	.....	F21S 8/086 362/294
D329,714 S *	9/1992	McIngvale, Jr.	.....	D26/71

D418,620 S *	1/2000	Grossman	.....	D26/71
D424,228 S *	5/2000	Grossman	.....	D26/71
D537,552 S *	2/2007	Monroe	.....	D26/71
D545,988 S *	7/2007	Goetz-Schaefer	.....	D26/71
D609,383 S *	2/2010	Chang	.....	D26/71
D636,518 S *	4/2011	Nevins	.....	D26/71
D649,694 S *	11/2011	Kong	.....	D26/142

(Continued)

*Primary Examiner* — Clare E Heflin

(74) *Attorney, Agent, or Firm* — McCracken & Gillen  
LLC

(57) **CLAIM**

The ornamental design for a luminaire, as shown and described.

**DESCRIPTION**

FIG. 1 is a top isometric view of an ornamental design for a luminaire;

FIG. 2 is a bottom isometric view of the luminaire of FIG. 1;

FIG. 3 is a top plan view of the luminaire of FIG. 1;

FIG. 4 is a right side elevational view of the luminaire of FIG. 1;

FIG. 5 is a front elevational view of the luminaire of FIG. 1;

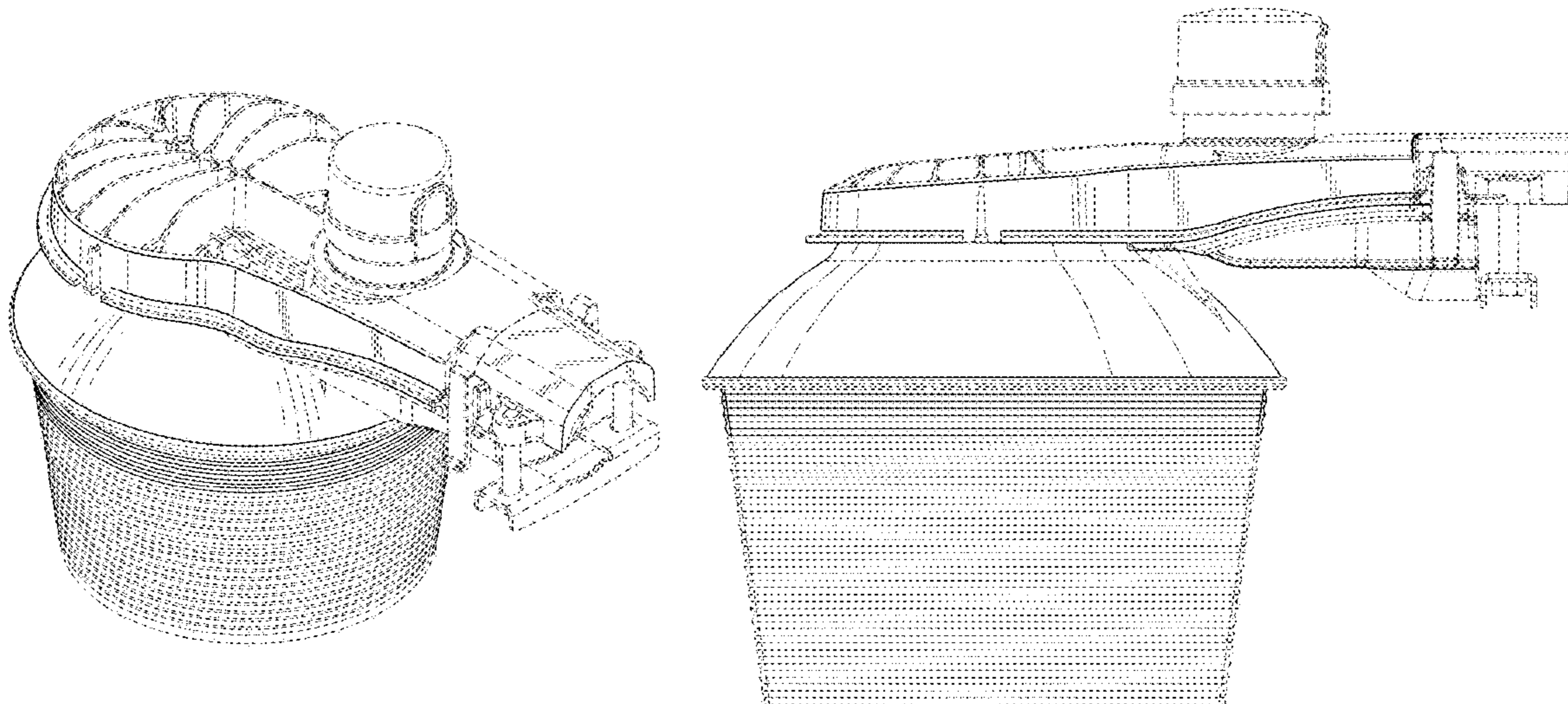
FIG. 6 is a back elevational view of the luminaire of FIG. 1;

FIG. 7 is a left side elevational view of the luminaire of FIG. 1; and,

FIG. 8 is a bottom elevational view of the luminaire of FIG. 1.

The broken lines (where present) in all FIGS. illustrate portions of the luminaire that form no part of the claimed design. The dash-dot lines (where present) are for the purpose of defining the bounds of the claimed design and form no part of the claimed design.

**1 Claim, 8 Drawing Sheets**



(56)

**References Cited**

U.S. PATENT DOCUMENTS

8,057,078 B1 \* 11/2011 Ko ..... F21S 8/088  
116/173  
D653,374 S \* 1/2012 Ham ..... D26/71  
D693,511 S \* 11/2013 Larsen ..... D26/71  
D693,512 S \* 11/2013 Larsen ..... D26/71  
D694,449 S \* 11/2013 Walker ..... D26/63  
8,628,217 B2 \* 1/2014 Moshtagh ..... F21V 29/004  
362/267  
8,632,209 B2 \* 1/2014 Graeber ..... F21S 8/086  
362/231  
8,770,797 B2 \* 7/2014 Wang ..... F21V 15/011  
362/153  
8,820,959 B2 \* 9/2014 Nevins ..... F21V 23/04  
362/230  
9,028,087 B2 \* 5/2015 Wilcox ..... F21V 29/83  
362/101  
9,028,096 B2 \* 5/2015 Verdes ..... F21V 29/004  
362/238

\* cited by examiner

FIG. 1

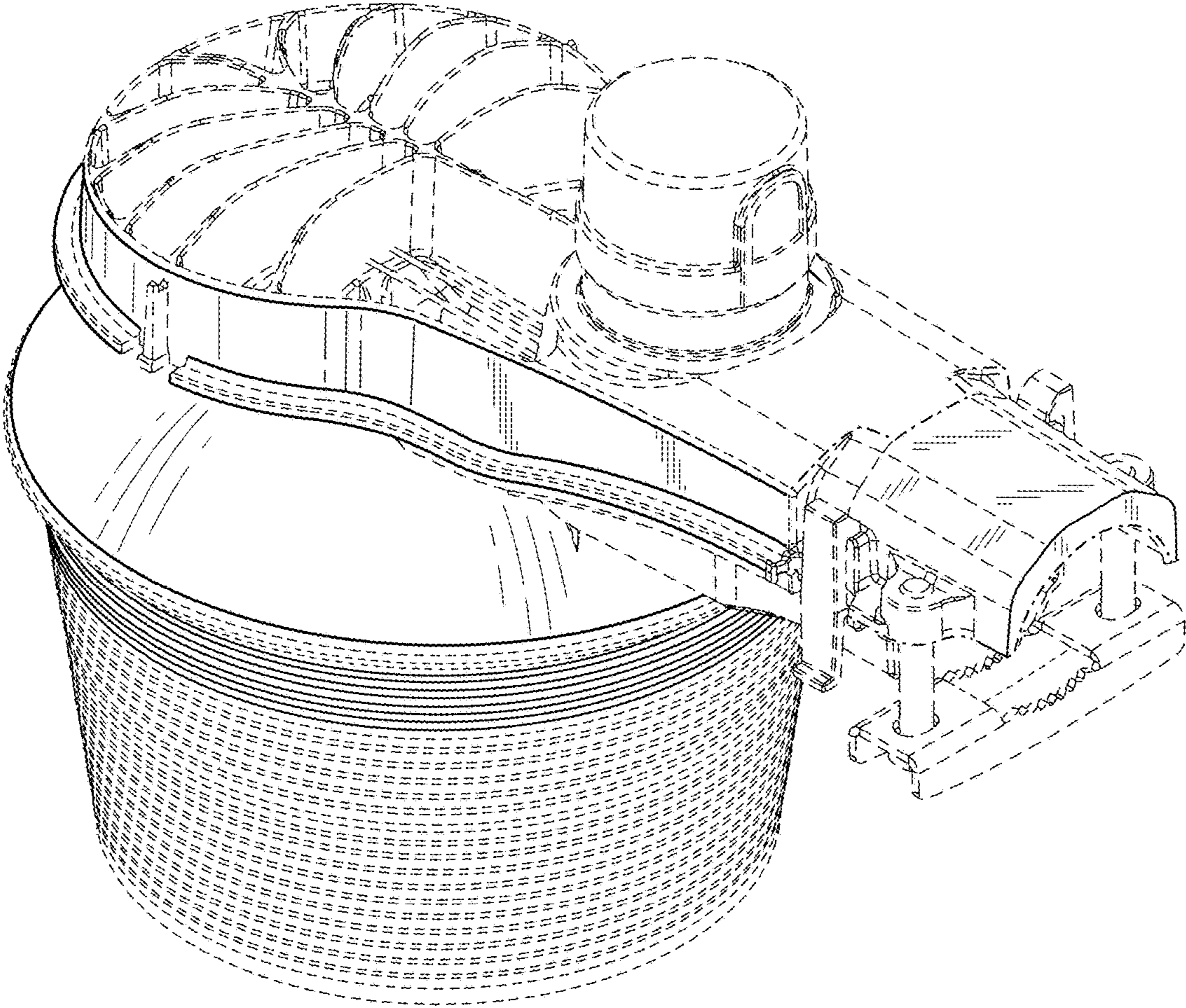
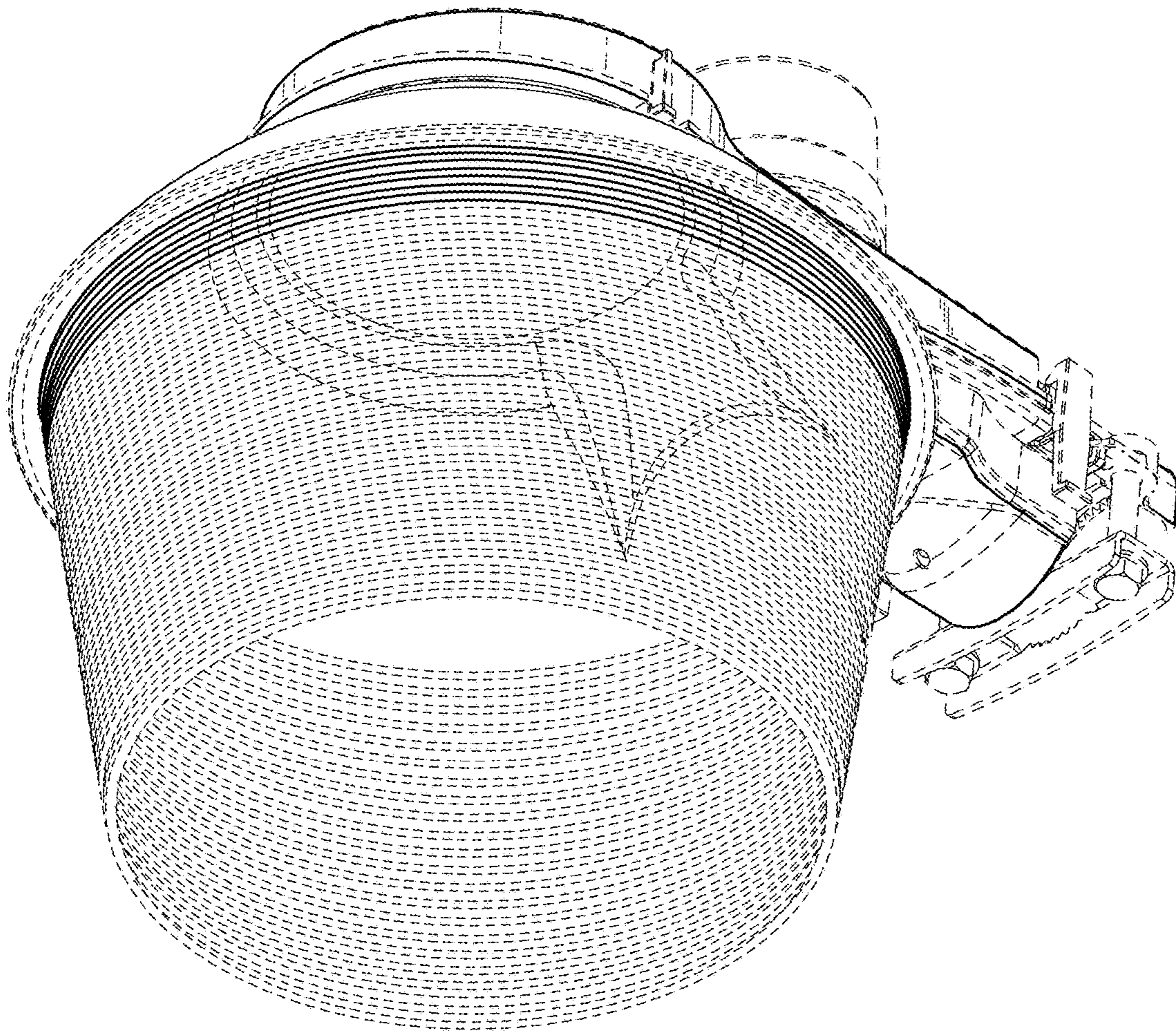


FIG. 2



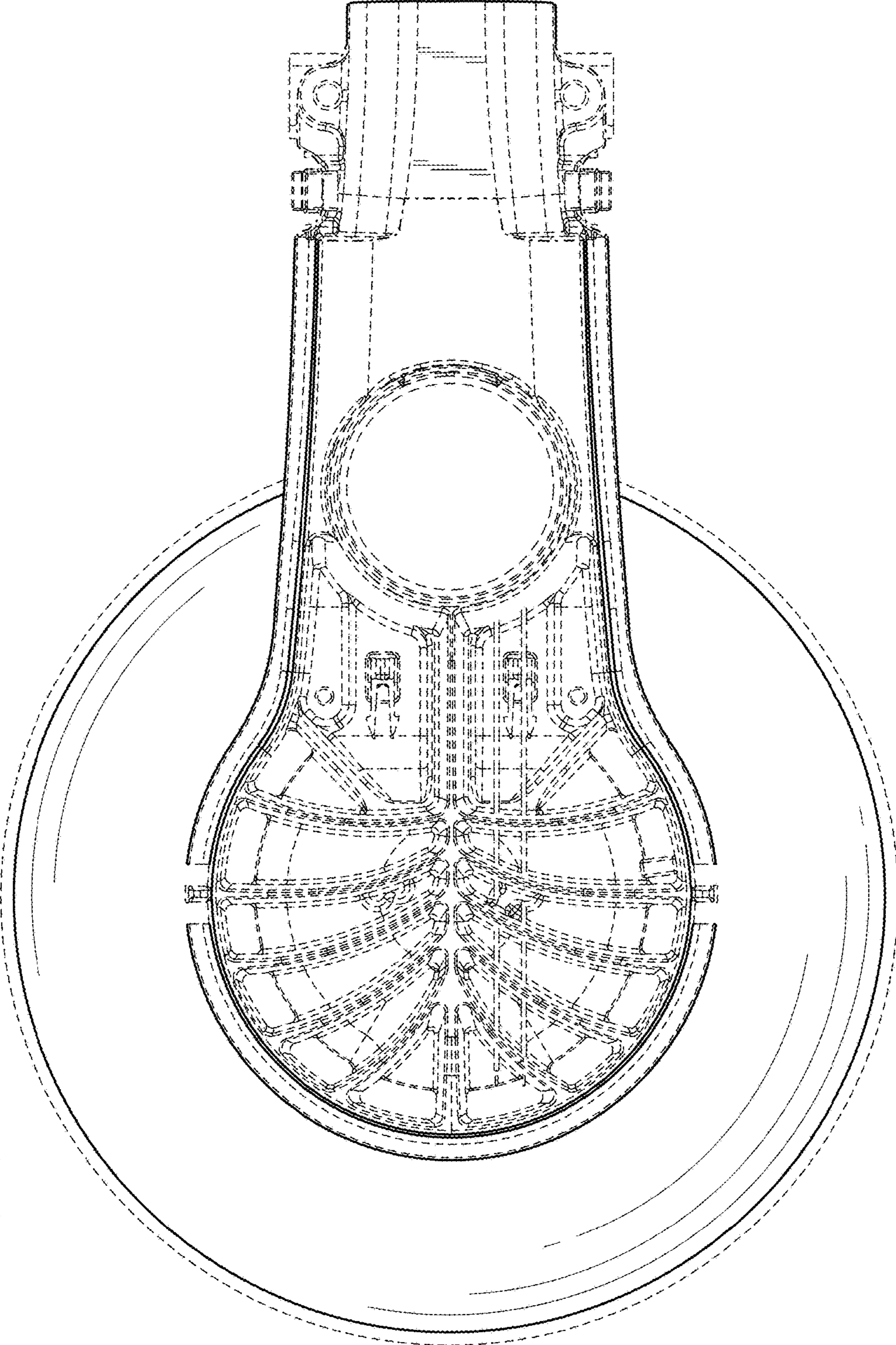


FIG. 3

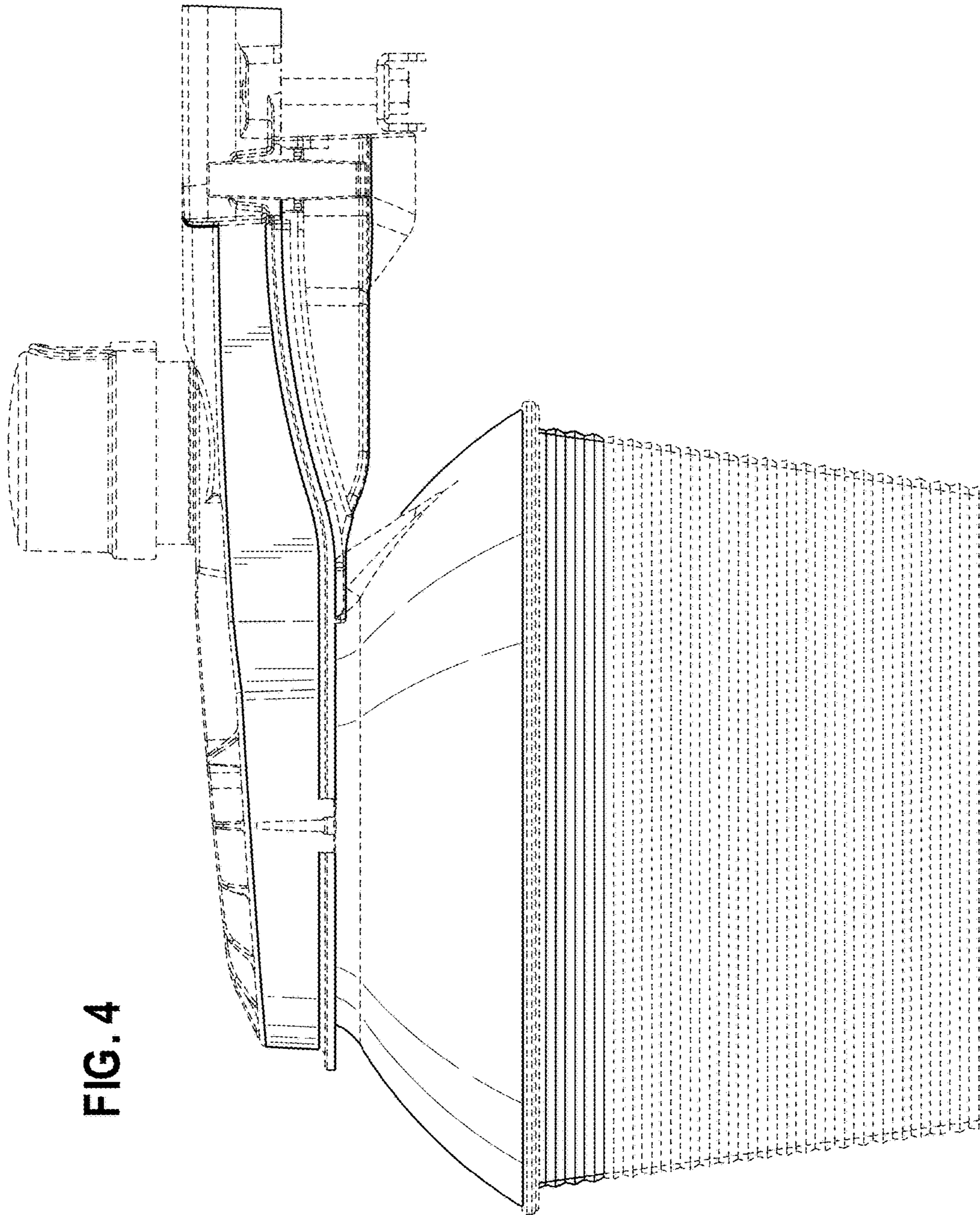


FIG. 4

FIG. 5

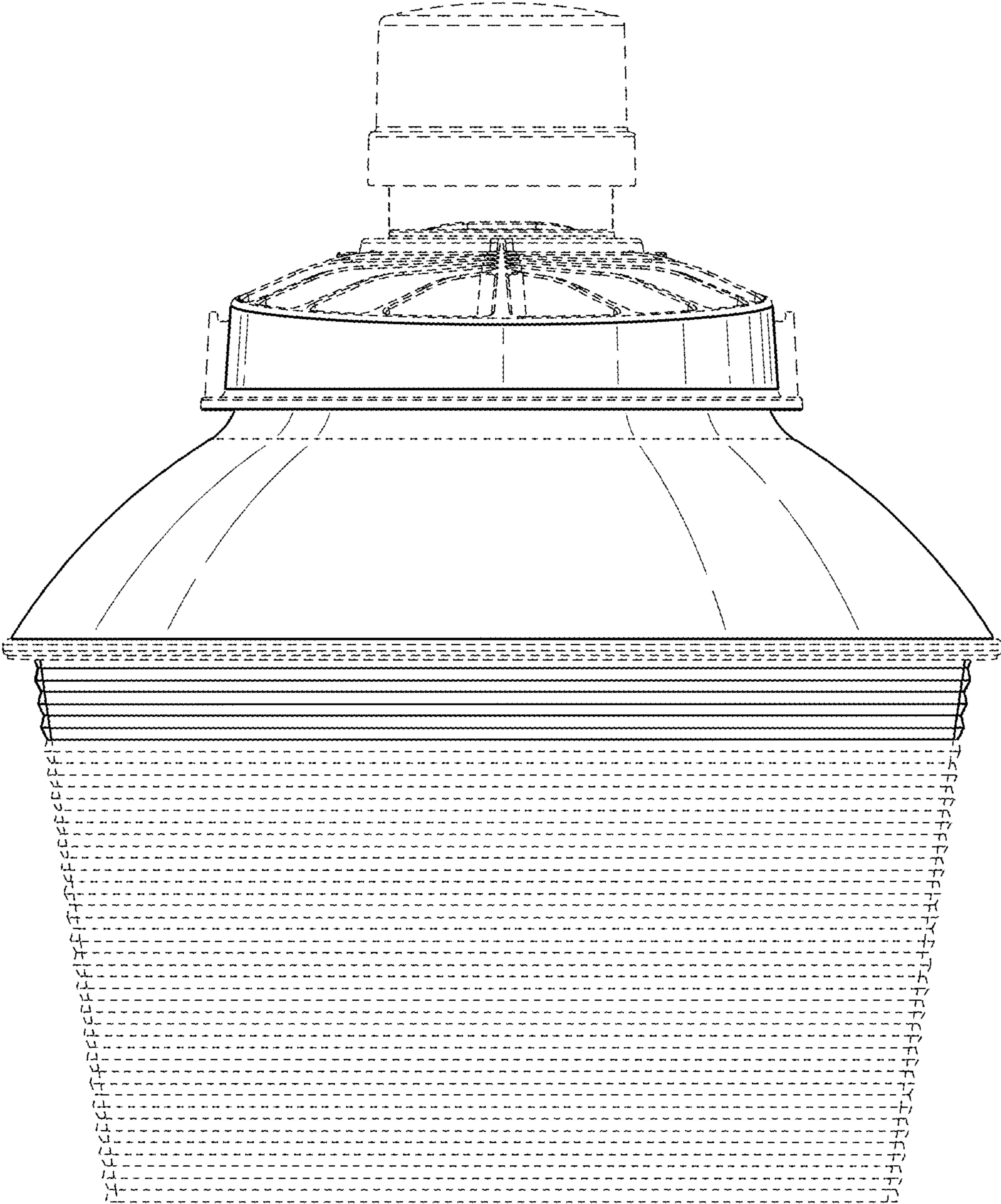
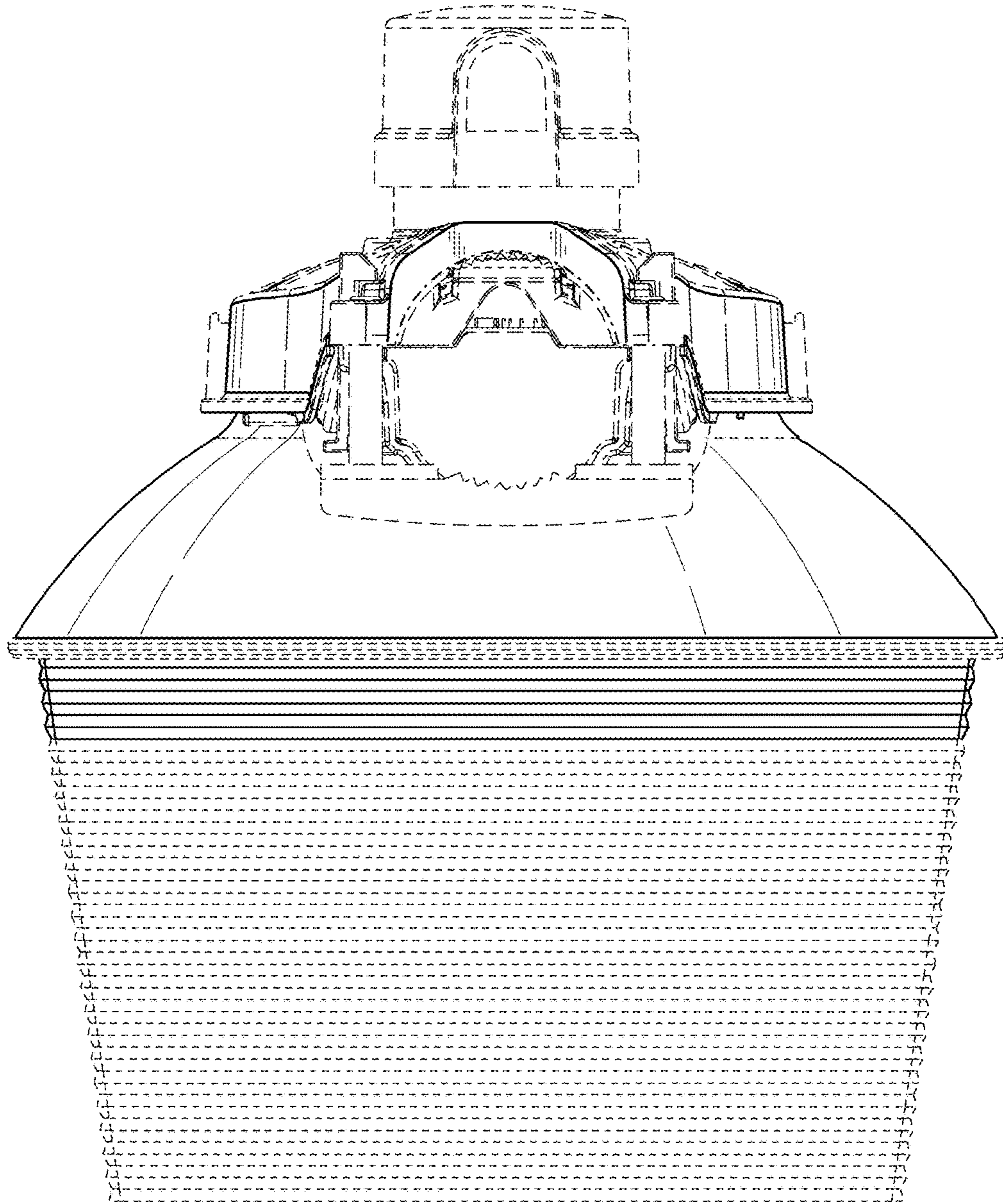
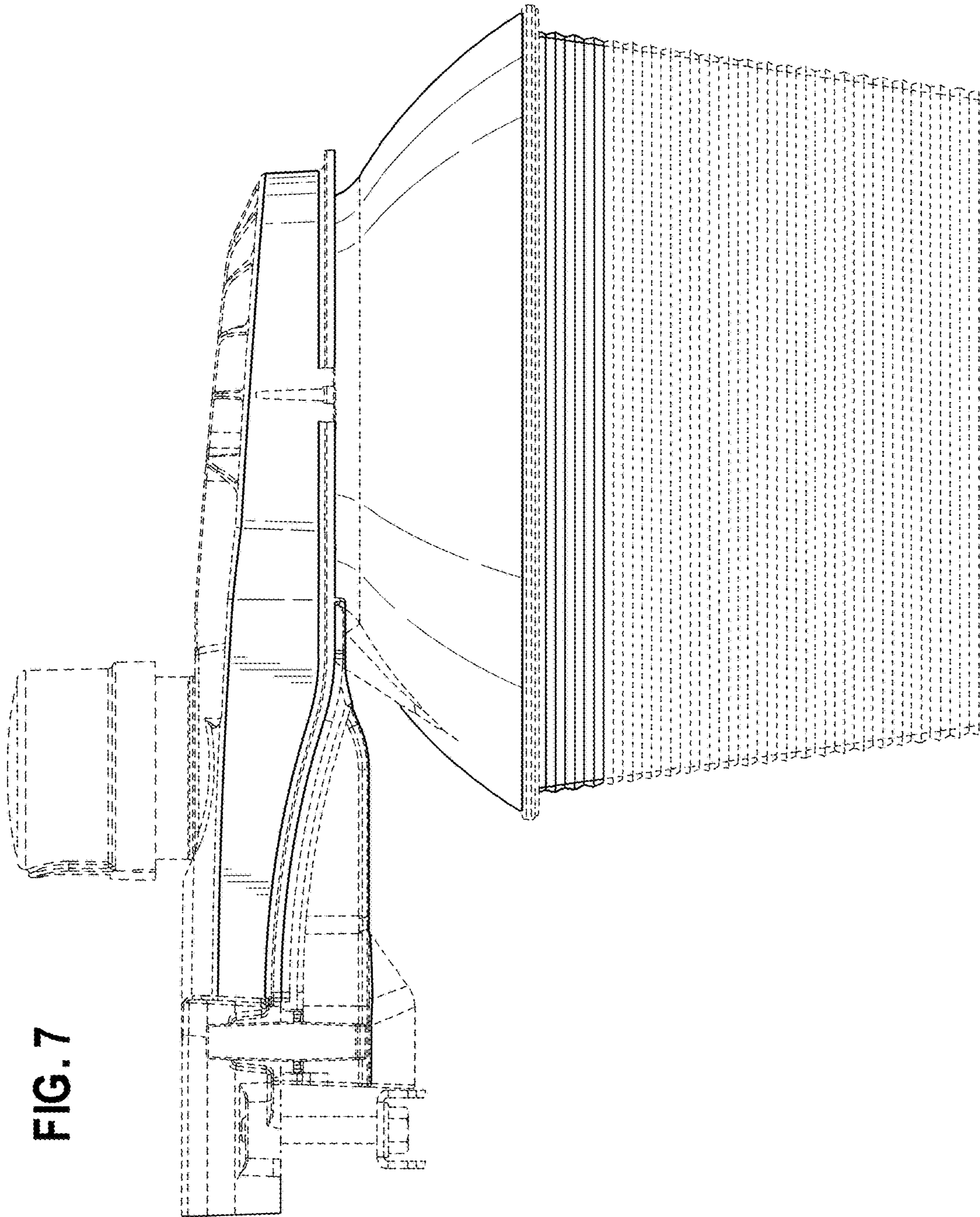


FIG. 6







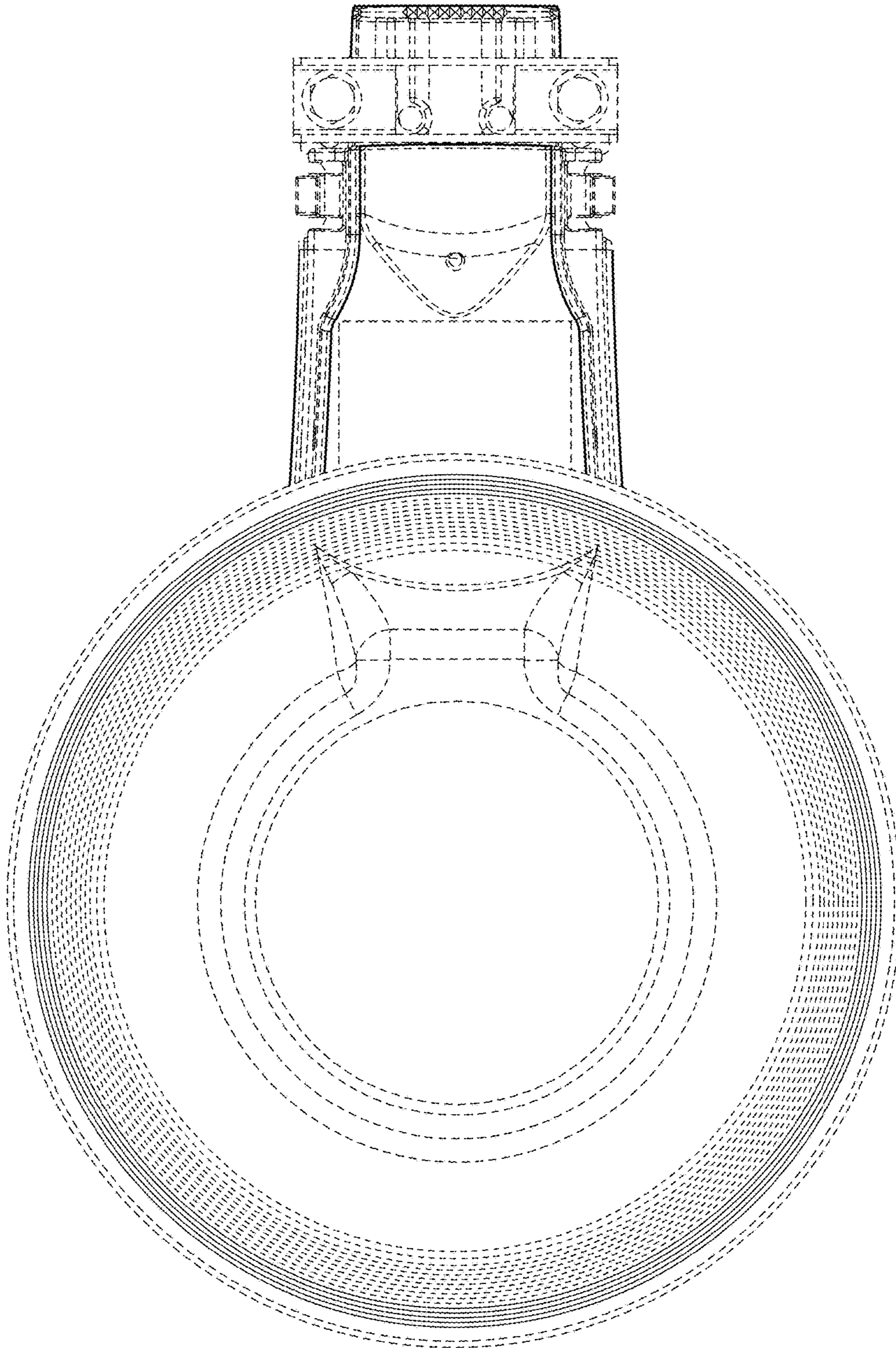


FIG. 8