



US00D783884S

(12) **United States Design Patent**
Li et al.

(10) **Patent No.:** **US D783,884 S**
(45) **Date of Patent:** **** Apr. 11, 2017**

(54) **LED LAMP**

(71) Applicants: **Qiang Li**, Shenzhen (CN); **Zhijin Lin**, Shenzhen (CN); **Xiaofeng Zou**, Shenzhen (CN)

(72) Inventors: **Qiang Li**, Shenzhen (CN); **Zhijin Lin**, Shenzhen (CN); **Xiaofeng Zou**, Shenzhen (CN)

(**) Term: **15 Years**

(21) Appl. No.: **29/559,000**

(22) Filed: **Mar. 23, 2016**

(30) **Foreign Application Priority Data**

Sep. 29, 2015 (CN) 2015 3 0381767

(51) **LOC (10) Cl.** **26-03**

(52) **U.S. Cl.**
USPC **D26/89**

(58) **Field of Classification Search**
USPC D26/24, 63, 72, 80, 84, 88, 89, 118, 122, D26/152
CPC F21S 8/04; F21S 8/026; F21S 8/033; F21S 8/036; F21S 8/03; F21S 8/043; F21S 8/046; F21S 8/06; F21S 8/061; F21S 8/063; F21S 8/068; F21S 13/02; F21V 21/04; F21V 17/02; F21V 17/04; F21V 17/164
See application file for complete search history.

(56) **References Cited**

U.S. PATENT DOCUMENTS

D85,401 S * 10/1931 Stroud D26/122
D167,451 S * 8/1952 Franck D26/122
D171,866 S * 3/1954 Schreckengost D26/122
D171,867 S * 3/1954 Schreckengost D26/122

D186,185 S * 9/1959 Benjamin D26/122
3,187,176 A * 6/1965 Franck F21V 3/00
362/334
D255,234 S * 6/1980 Wellward 181/150
4,827,386 A * 5/1989 Mackiewicz F21S 8/04
362/147
D308,115 S * 5/1990 Vitale D26/122
D481,822 S * 11/2003 Wang D26/72
D514,732 S * 2/2006 Benensohn D26/89
D535,434 S * 1/2007 Fischer D26/122
D551,379 S * 9/2007 Maxik D26/74
D577,454 S * 9/2008 Maxik D26/63
D624,686 S * 9/2010 Toney, Jr. D26/72
D637,752 S * 5/2011 Mekhtarian D26/72
D667,587 S * 9/2012 Wilcox F21V 19/0055
D26/89
8,382,340 B2 * 2/2013 Boyer F21S 8/02
362/147
8,414,164 B2 * 4/2013 Ogawa F21S 8/043
362/294
D703,861 S * 4/2014 Holland D26/89
D705,471 S * 5/2014 Kim D26/72

(Continued)

Primary Examiner — Clare E Heflin

(74) *Attorney, Agent, or Firm* — Weiss & Moy, P.C.;
Jeffrey D. Moy

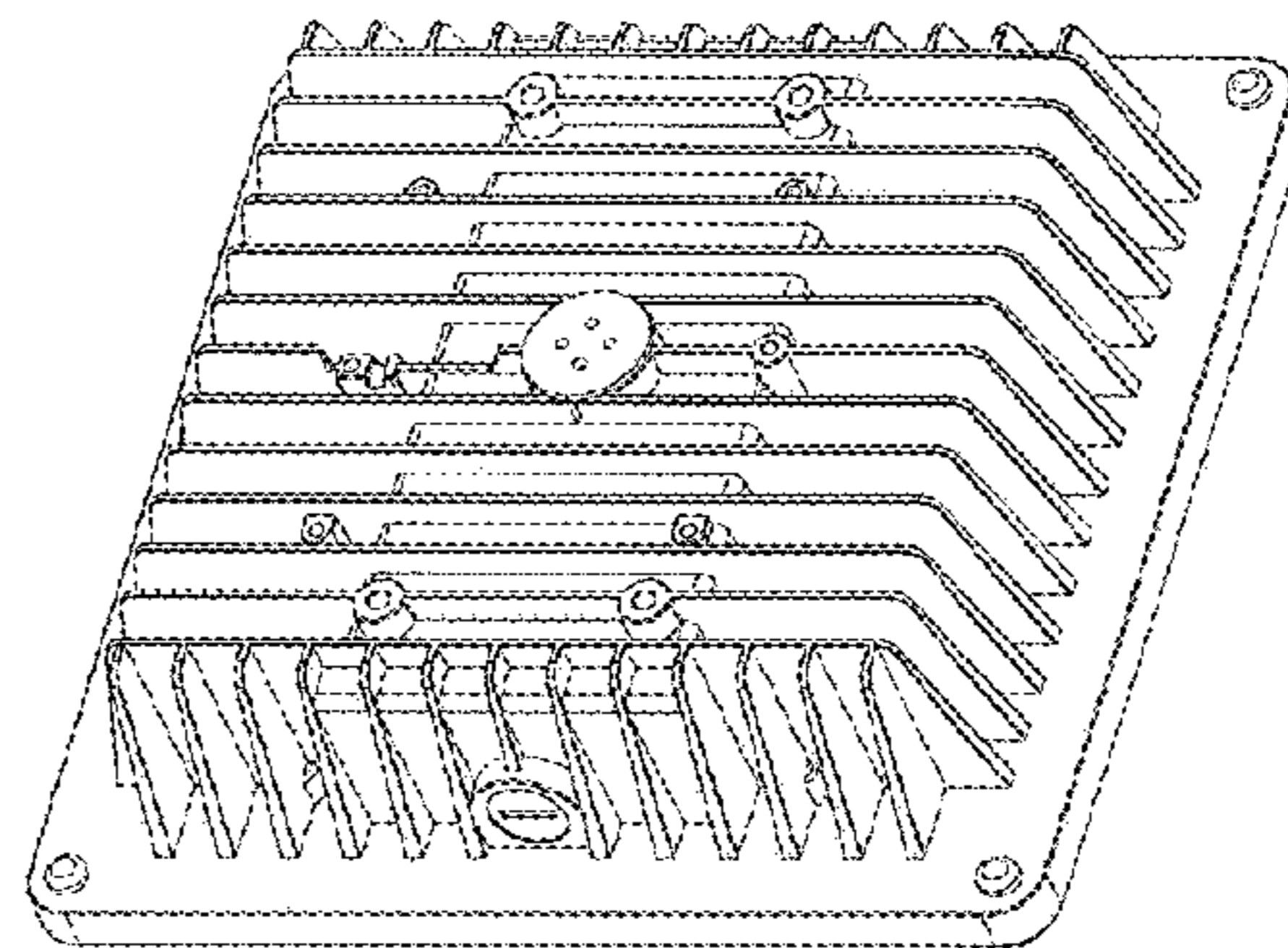
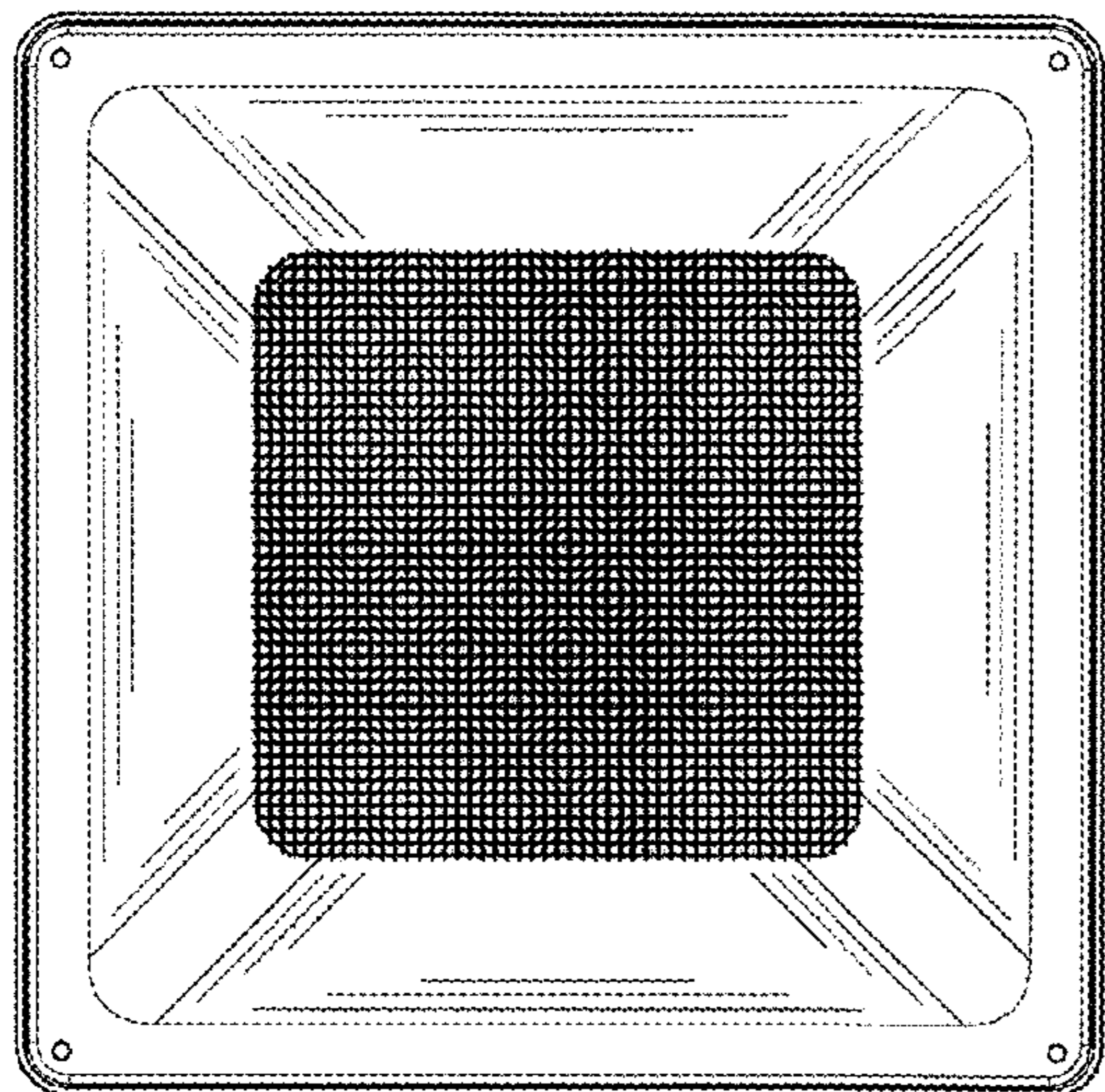
(57) **CLAIM**

The ornamental design for an LED lamp, as shown and described.

DESCRIPTION

FIG. 1 is a front elevational view of a LED lamp showing my new design;
FIG. 2 is a rear elevational view thereof;
FIG. 3 is a left-side elevational view thereof;
FIG. 4 is a right-side elevational view thereof;
FIG. 5 is a top plan view thereof;
FIG. 6 is a bottom plan view thereof; and,
FIG. 7 is a perspective view thereof.

1 Claim, 7 Drawing Sheets



(56)

References Cited

U.S. PATENT DOCUMENTS

9,121,554 B2 * 9/2015 Shimizu F21K 9/50
D742,056 S * 10/2015 Yang D26/134
2011/0026249 A1 * 2/2011 Wylde F21S 8/086
362/240
2011/0110081 A1 * 5/2011 Belknap F21V 5/02
362/235

* cited by examiner

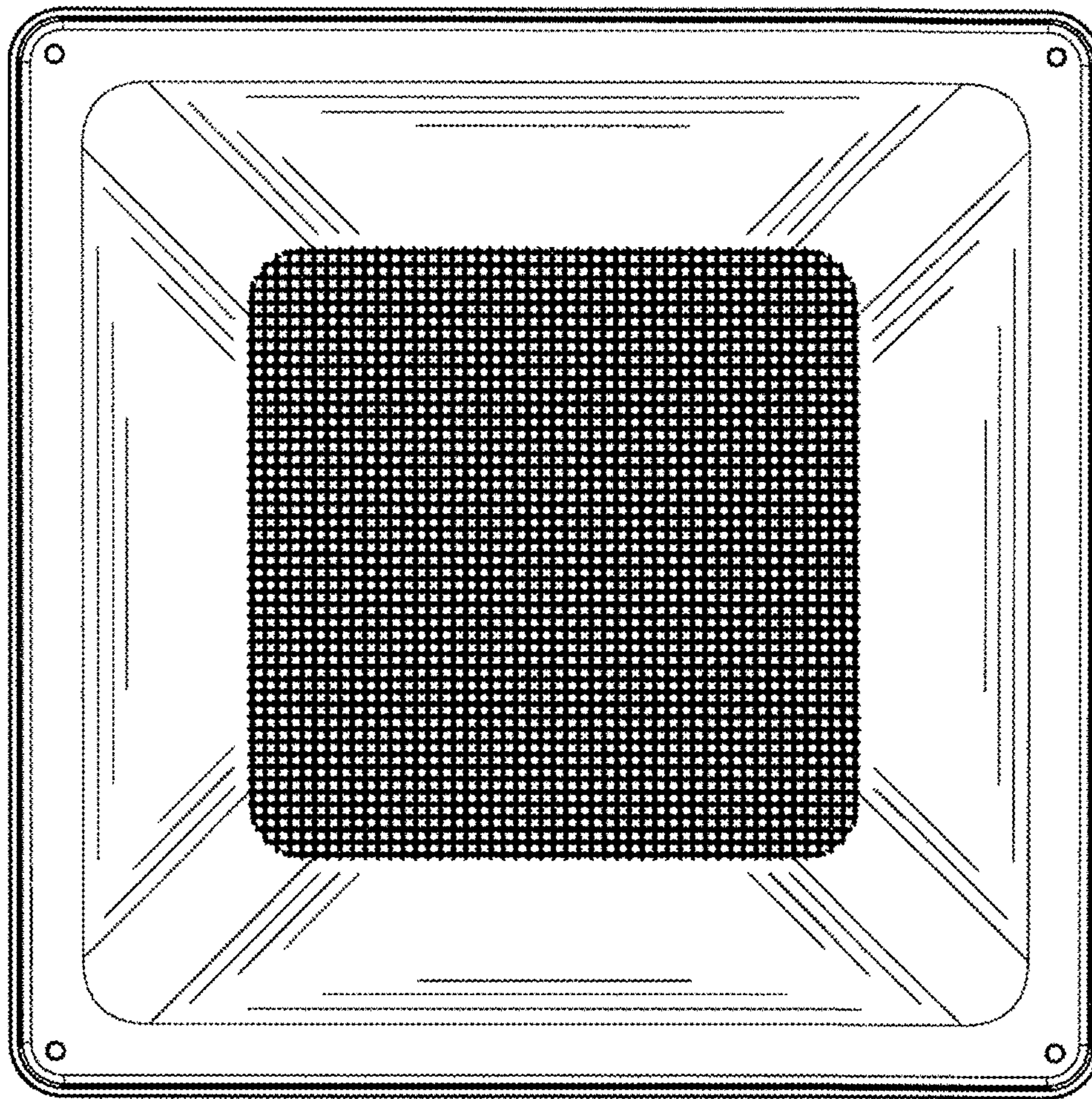


FIG. 1

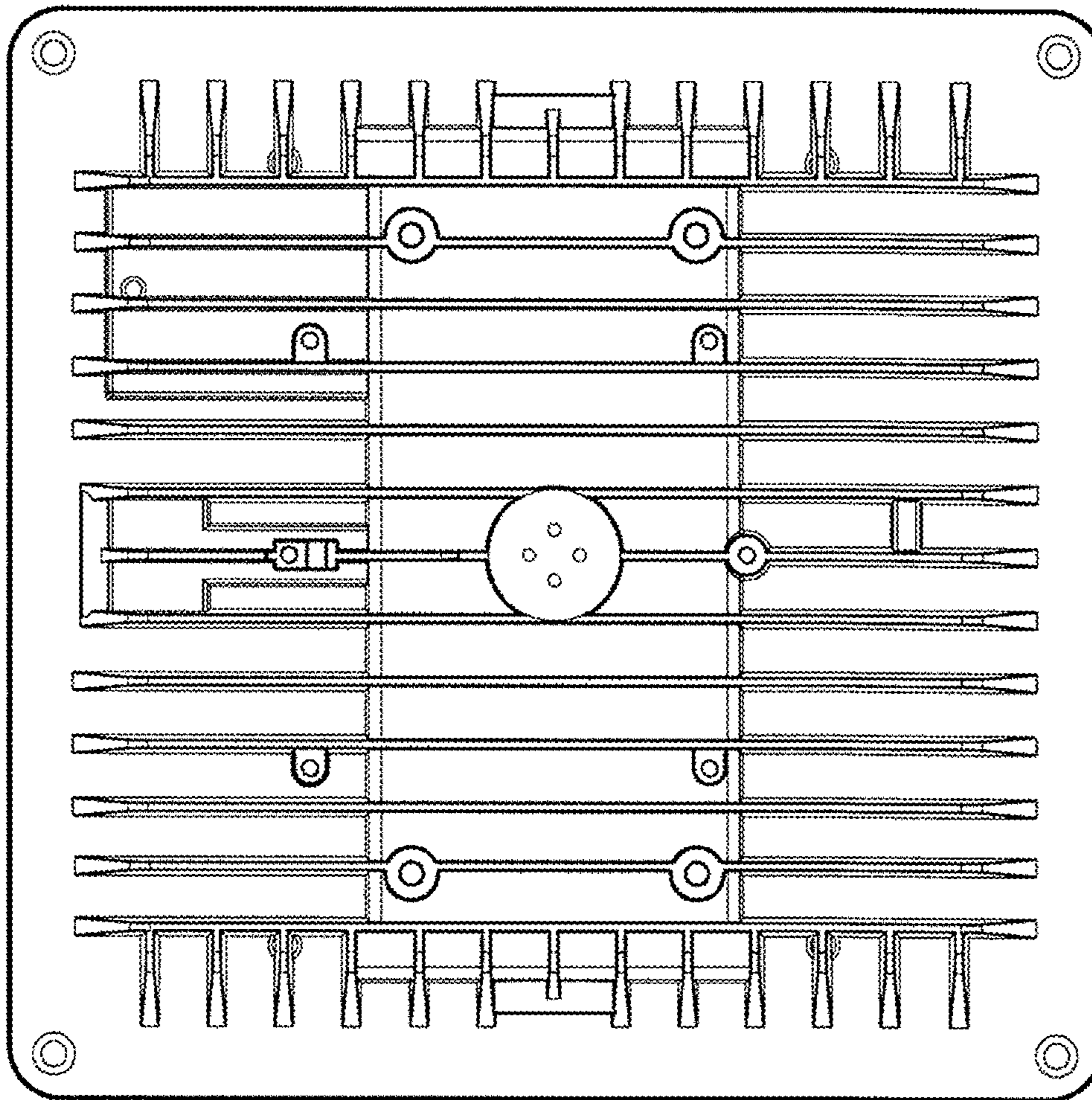


FIG. 2

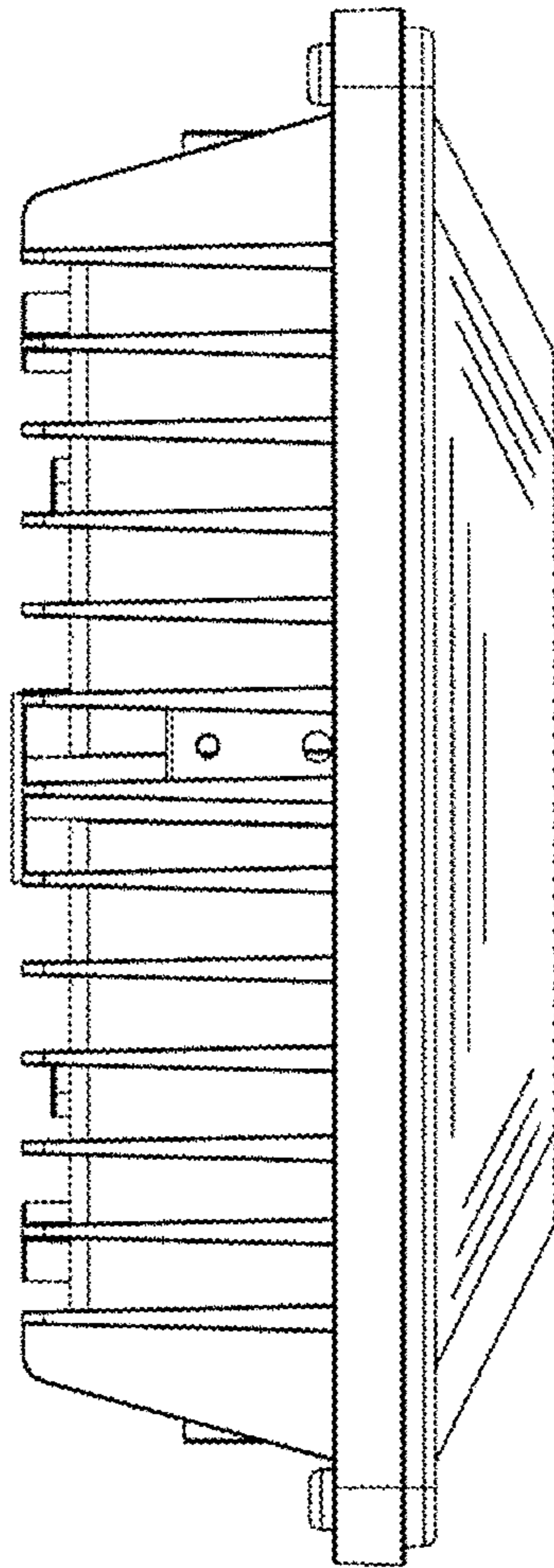


FIG. 3

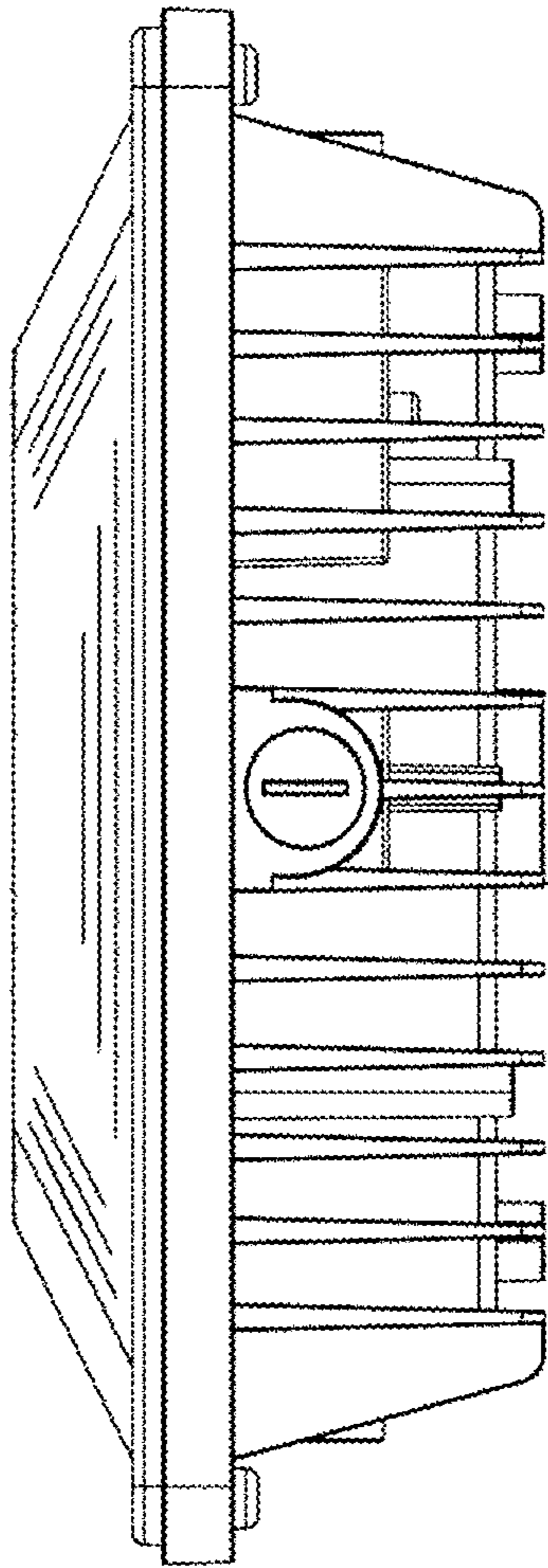


FIG. 4

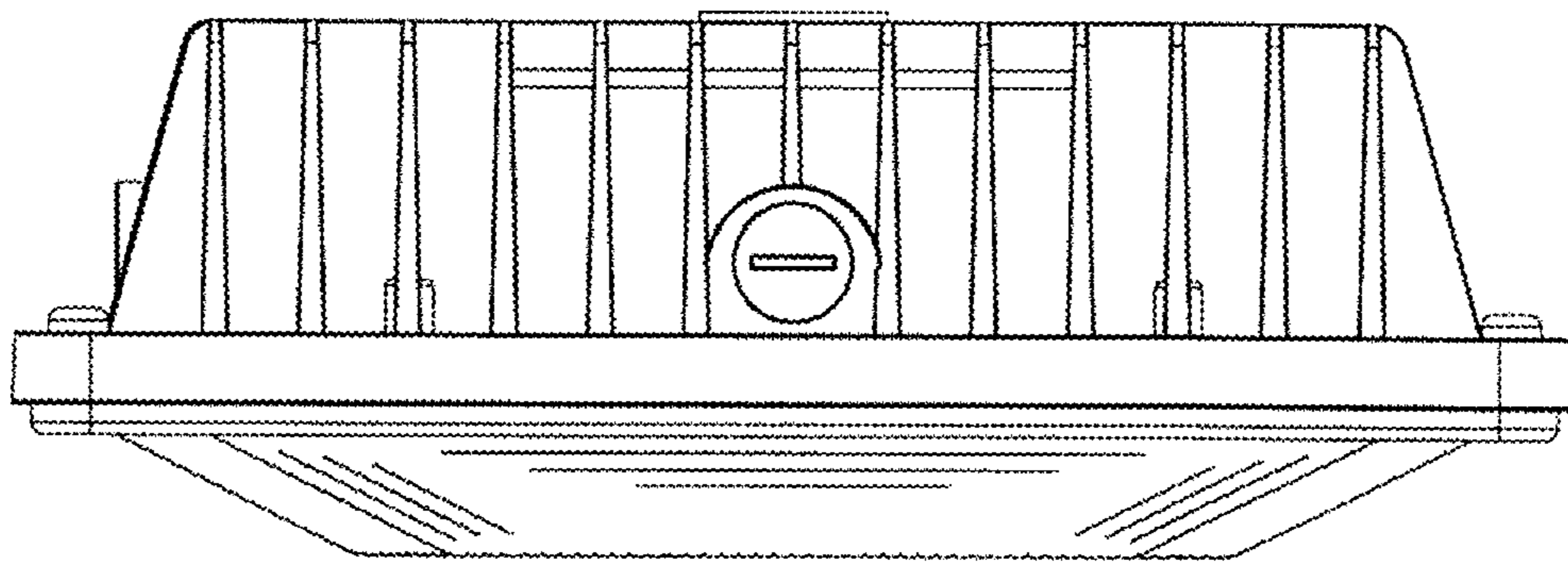


FIG. 5

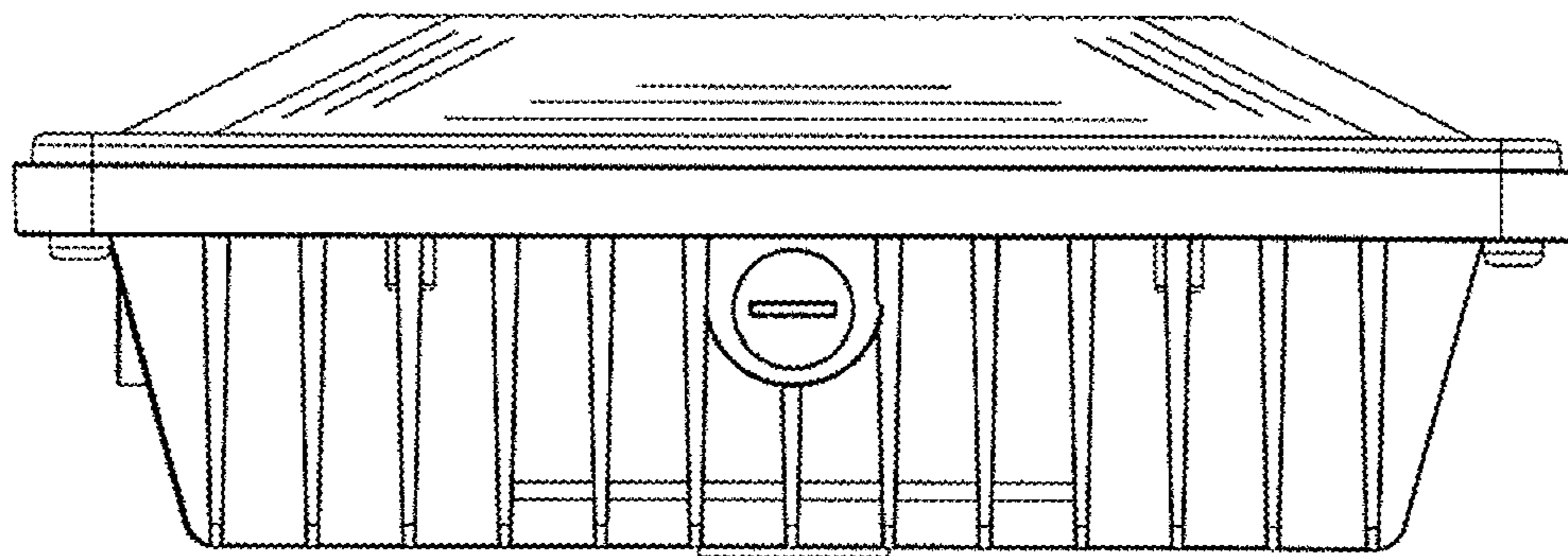


FIG. 6

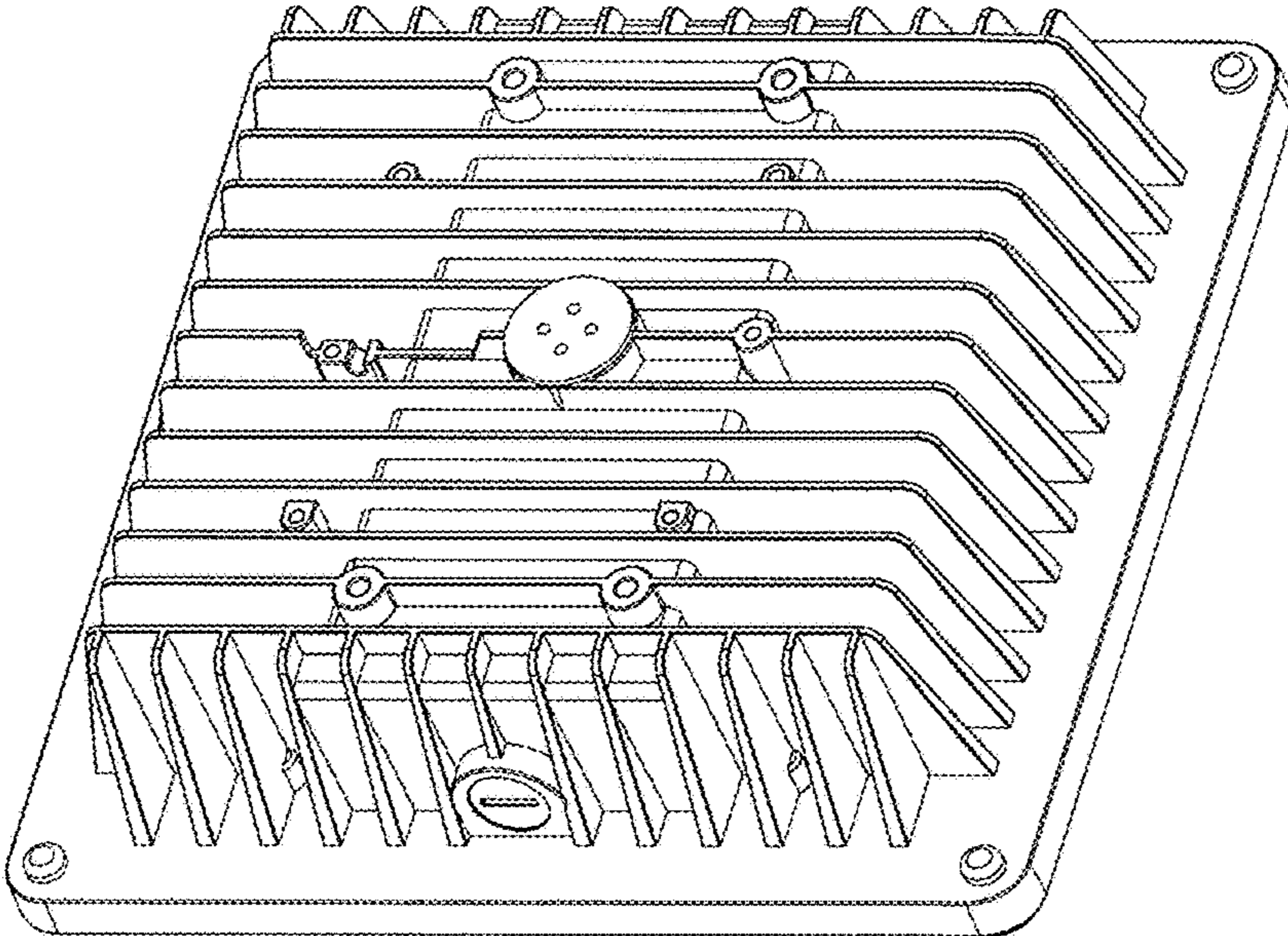


FIG. 7