



US00D783881S

(12) **United States Design Patent**
Hollander et al.

(10) **Patent No.:** **US D783,881 S**

(45) **Date of Patent:** **** Apr. 11, 2017**

(54) **LIGHTING FIXTURE**

(71) Applicant: **Hubbell Incorporated**, Shelton, CT
(US)

(72) Inventors: **John Hollander**, East Dundee, IL (US);
Raymond A. Brown, Greer, SC (US);
Steven Holscher, Simpsonville, SC
(US); **Deepak Sud**, Simpsonville, SC
(US); **Eric Miller**, Simpsonville, SC
(US)

(73) Assignee: **Hubbell Incorporated**, Shelton, CT
(US)

(**) Term: **15 Years**

(21) Appl. No.: **29/561,812**

(22) Filed: **Apr. 20, 2016**

(51) **LOC (10) Cl.** **26-03**

(52) **U.S. Cl.**
USPC **D26/85**; D26/76

(58) **Field of Classification Search**
USPC D26/72, 76, 85, 86, 87, 118, 120, 141,
D26/145, 155

CPC F21S 8/03; F21S 8/035; F21S 8/036; F21S
8/037; F21V 1/146; F21V 3/0409; F21V
7/043; F21V 7/05; F21V 7/06

See application file for complete search history.

(56) **References Cited**

U.S. PATENT DOCUMENTS

D141,068 S * 5/1945 Maurette D26/76
D158,803 S * 5/1950 Russell D26/76
2,770,717 A * 11/1956 Schwartz F21S 8/033
362/222
D189,256 S * 11/1960 Rothman D26/76

D311,596 S * 10/1990 Herst D26/76
D431,876 S * 10/2000 Lewis D26/76
D464,162 S * 10/2002 Segretto D26/80
D581,079 S * 11/2008 Mier-Langner D26/72
D584,444 S * 1/2009 Lipson D26/76
D653,793 S * 2/2012 Marquardt D26/80
D654,208 S * 2/2012 Marquardt D26/85
D670,422 S * 11/2012 Siekmann D26/76
8,807,784 B2 * 8/2014 Marquardt F21S 8/06
362/217.05

OTHER PUBLICATIONS

Telefo wall mounted luminaire shown on pp. 296 and 297 of the
Artemide Design / 2015 catalog. (3 pages, includes cover of
catalog).*

* cited by examiner

Primary Examiner — Clare E Heflin

(74) *Attorney, Agent, or Firm* — Dority & Manning, P.A.

(57) **CLAIM**

The ornamental design for a lighting fixture, as shown and
described.

DESCRIPTION

FIG. 1 is a perspective view of a lighting fixture showing the
design;

FIG. 2 is a front elevation view thereof;

FIG. 3 is a rear elevation view thereof;

FIG. 4 is a side elevation view thereof;

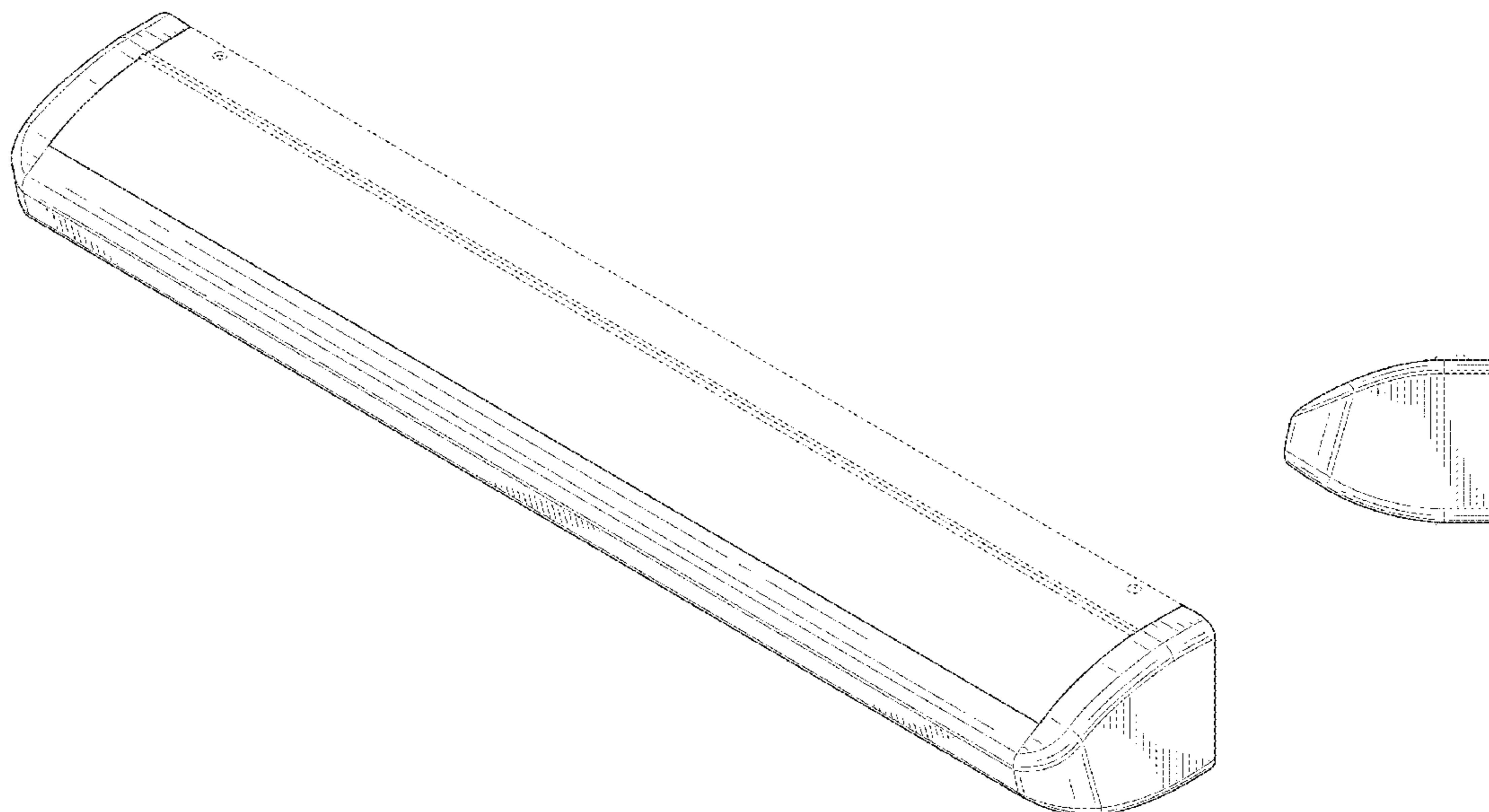
FIG. 5 is an opposite side elevation view thereof;

FIG. 6 is a top plan view thereof; and,

FIG. 7 is a bottom plan view thereof.

The broken lines shown on the drawings depict portions of
the light fixture that form no part of the claimed design.

1 Claim, 4 Drawing Sheets



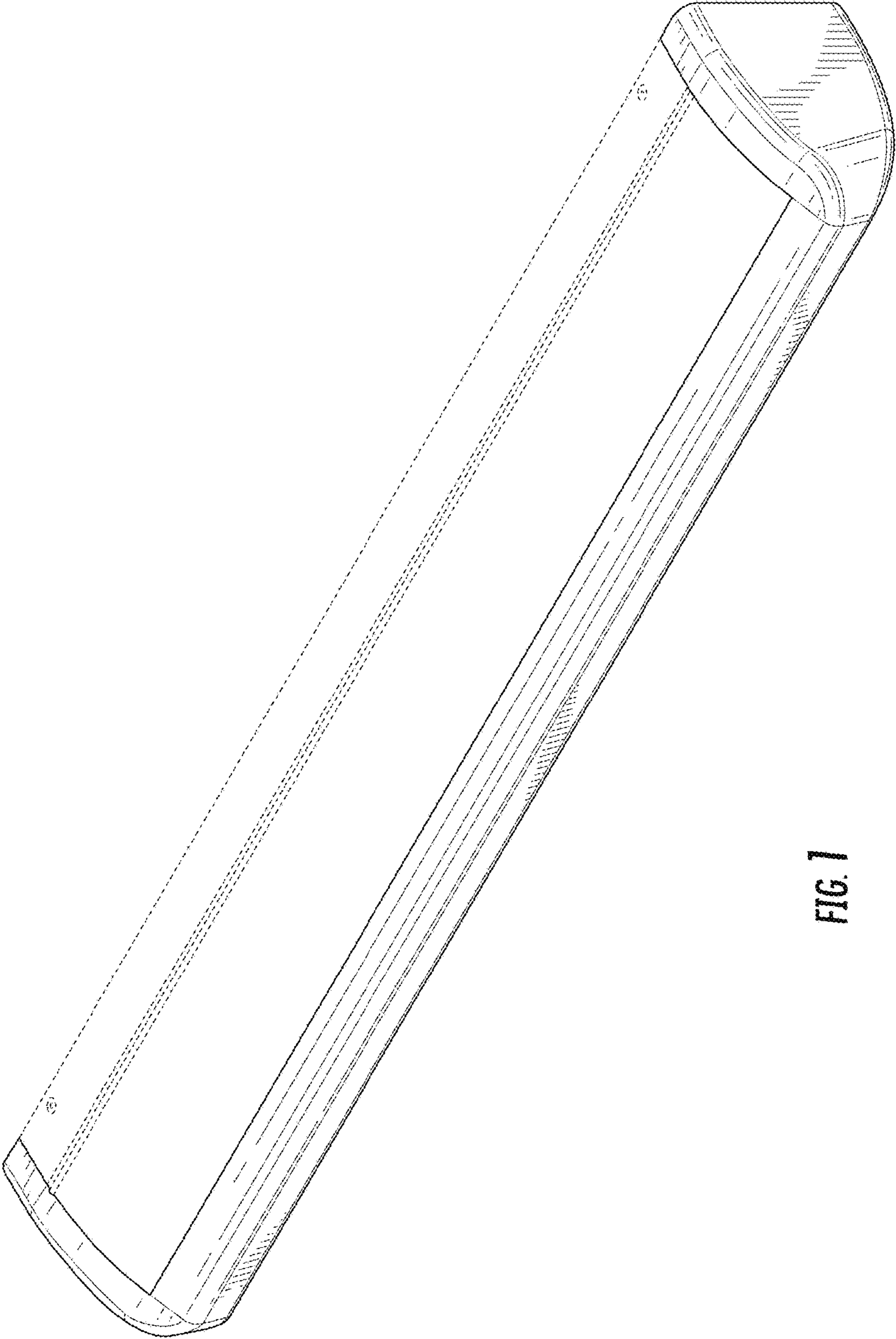


FIG. 1

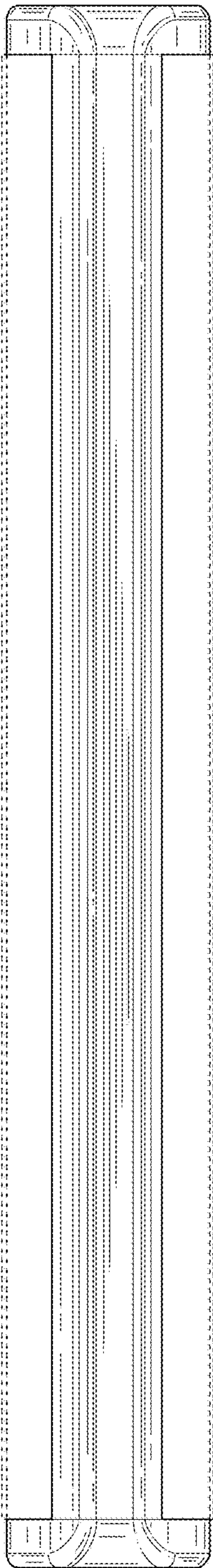


FIG. 2

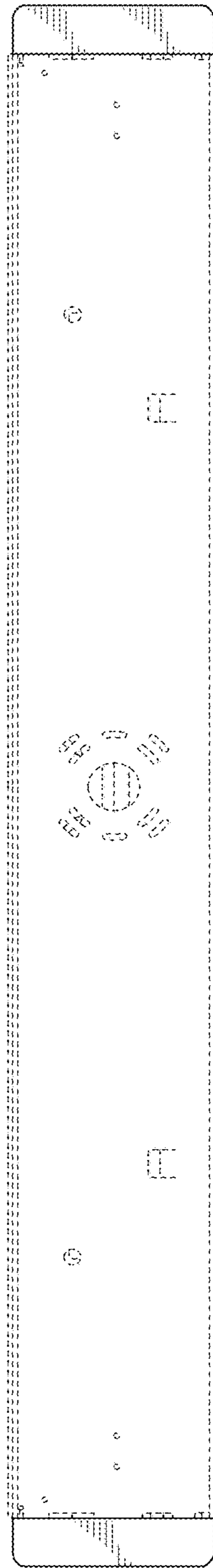


FIG. 3

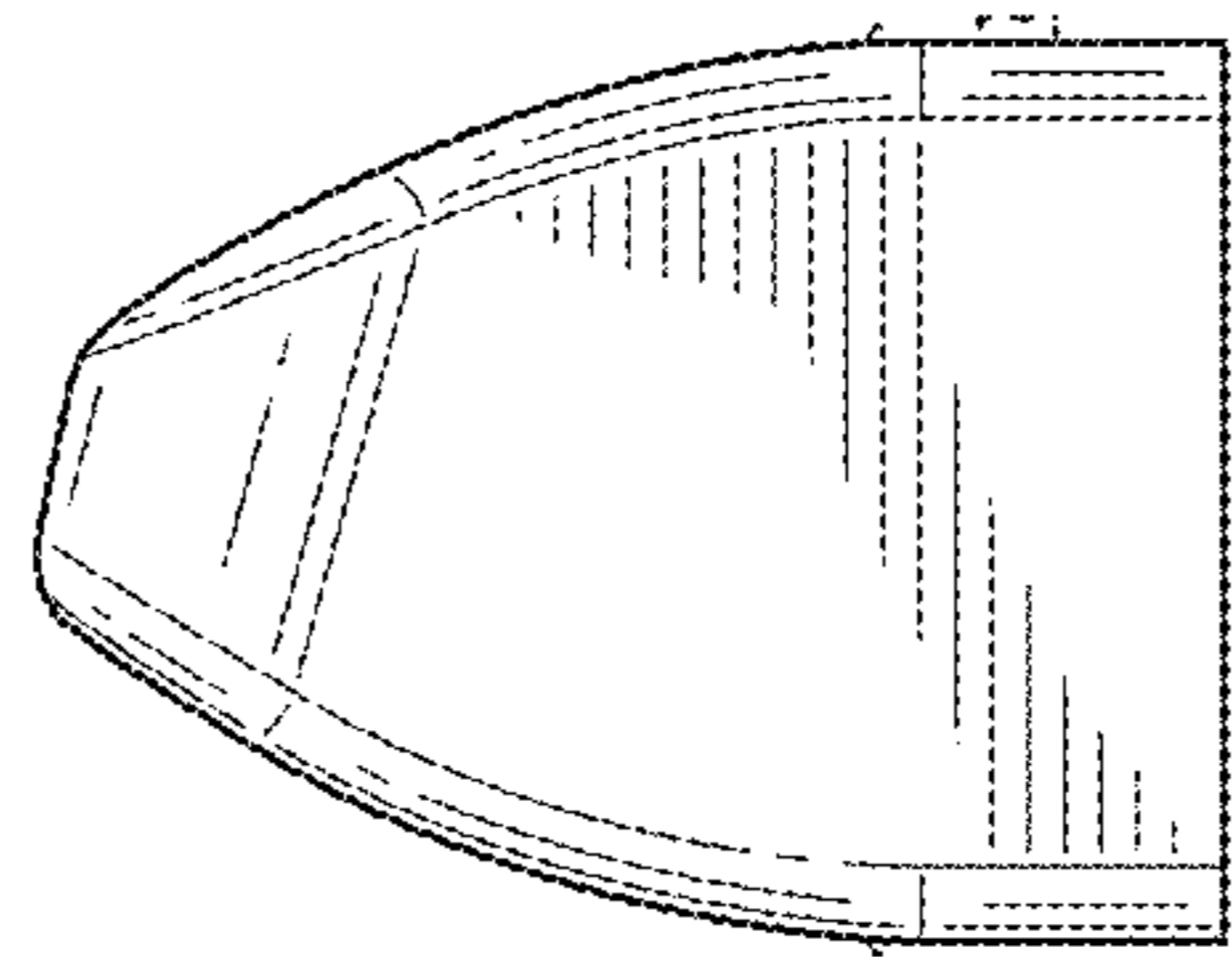


FIG. 4

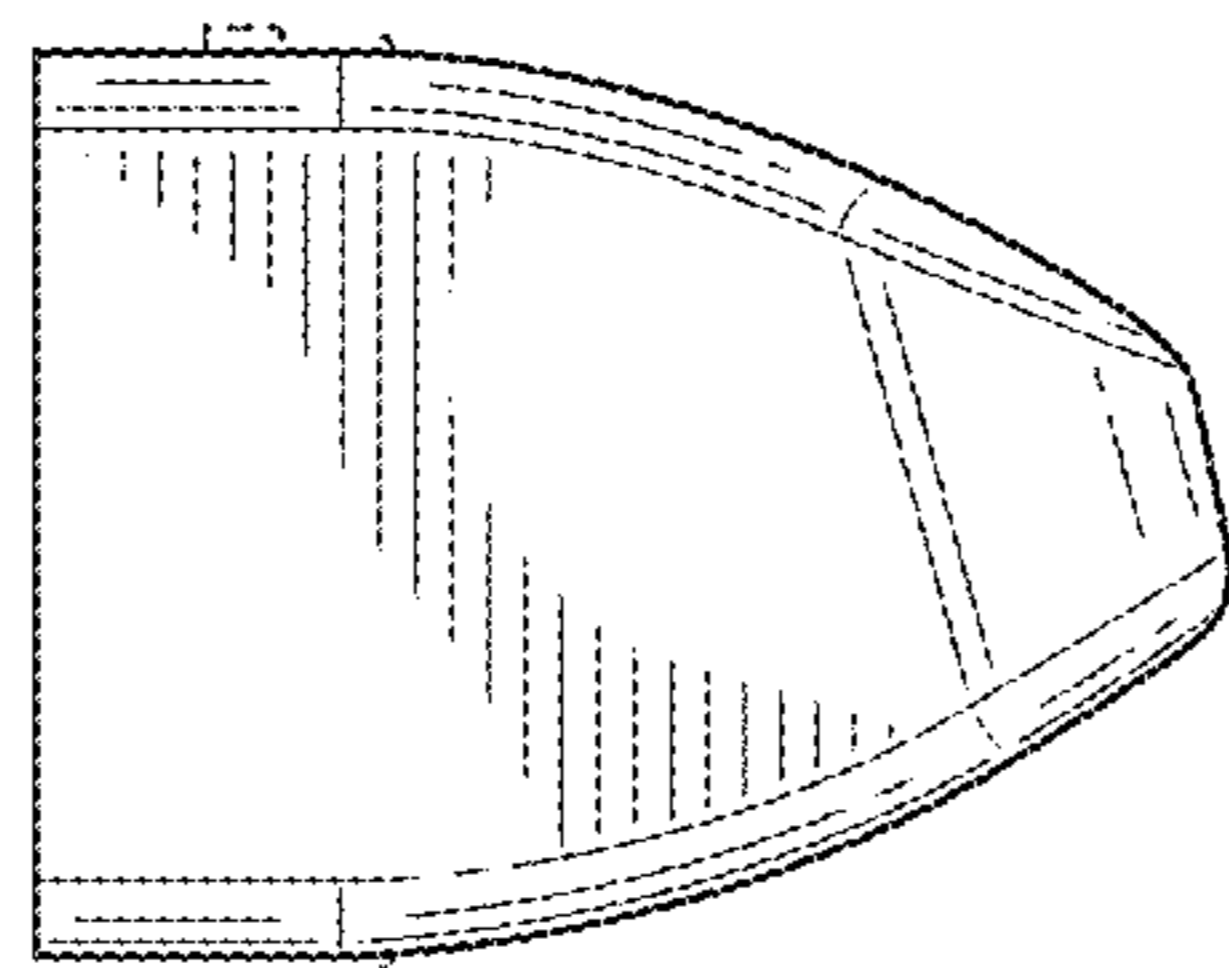


FIG. 5

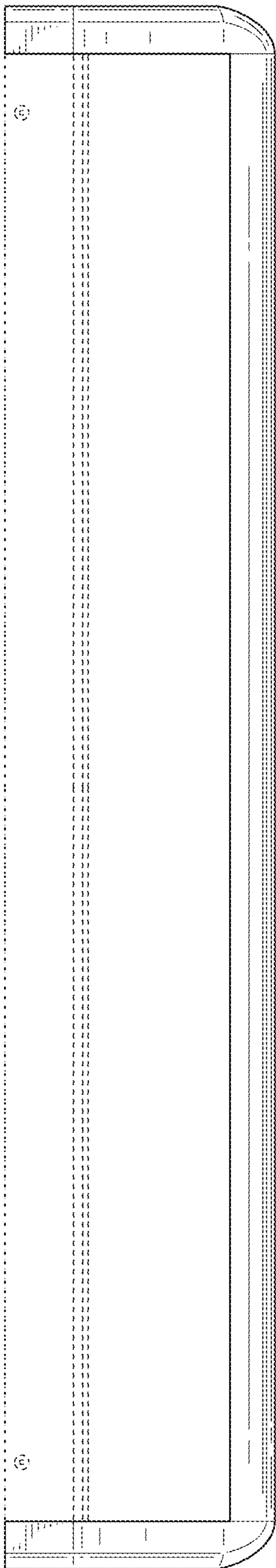


FIG. 6

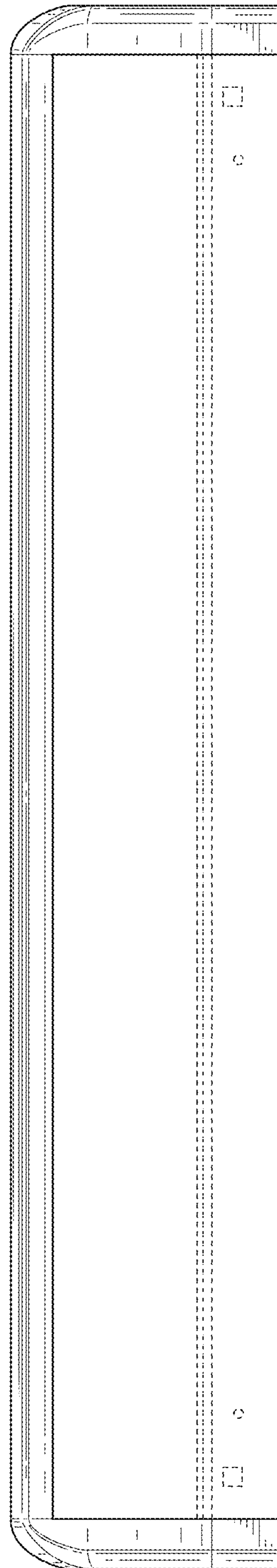


FIG. 7