



US00D783880S

(12) **United States Design Patent**  
**McVey et al.**

(10) **Patent No.:** **US D783,880 S**

(45) **Date of Patent:** **\*\* Apr. 11, 2017**

(54) **MULTI-SEGMENTED CORRIDOR LIGHT**

(71) Applicant: **Rauland-Borg Corporation**, Mount Prospect, IL (US)

(72) Inventors: **Patrick J. McVey**, Palatine, IL (US);  
**Xinyi Wang**, Schaumburg, IL (US)

(73) Assignee: **Rauland-Borg Corporation**, Mount Prospect, IL (US)

(\*\*) Term: **15 Years**

(21) Appl. No.: **29/537,099**

(22) Filed: **Aug. 21, 2015**

(51) **LOC (10) Cl.** ..... **26-03**

(52) **U.S. Cl.**  
USPC ..... **D26/85; D26/87**

(58) **Field of Classification Search**  
USPC ..... D26/72, 85, 86, 87, 118, 120, 141, 155  
CPC .... F21S 8/03; F21S 8/035; F21S 8/036; F21S 8/037; F21V 1/146; F21V 3/0409; F21V 7/043; F21V 7/05; F21V 7/06  
See application file for complete search history.

(56) **References Cited**

**U.S. PATENT DOCUMENTS**

- 2,293,672 A \* 8/1942 Bookman, Jr. .... F21V 3/02 362/355
- D162,345 S \* 3/1951 Roney ..... D23/366
- 2,640,913 A \* 6/1953 Little ..... F21S 8/033 362/307
- 2,824,216 A \* 2/1958 Brennan ..... F21V 1/00 362/311.03
- D421,663 S \* 3/2000 Von Kluck ..... D26/144

- D448,106 S \* 9/2001 Lin ..... D26/87
- D452,031 S \* 12/2001 Brunner ..... D26/87
- D455,223 S \* 4/2002 Crosby ..... D26/85
- D483,907 S \* 12/2003 Chandler ..... D26/155
- D589,201 S \* 3/2009 Sabernig ..... D26/118
- D601,746 S \* 10/2009 Sabernig ..... D26/120
- D646,425 S \* 10/2011 Crosby ..... D26/85
- D697,656 S \* 1/2014 Sabernig ..... D26/122
- D713,088 S \* 9/2014 Kitts ..... D26/85
- 8,827,505 B1 \* 9/2014 Senkyr ..... F21S 8/036 362/351

\* cited by examiner

*Primary Examiner* — Clare E Heflin

(74) *Attorney, Agent, or Firm* — Leydig, Voit & Mayer, Ltd.

(57) **CLAIM**

The ornamental design for a multi-segmented corridor light, as shown and described.

**DESCRIPTION**

FIG. 1 is a front view of a multi-segmented corridor light showing our new design;

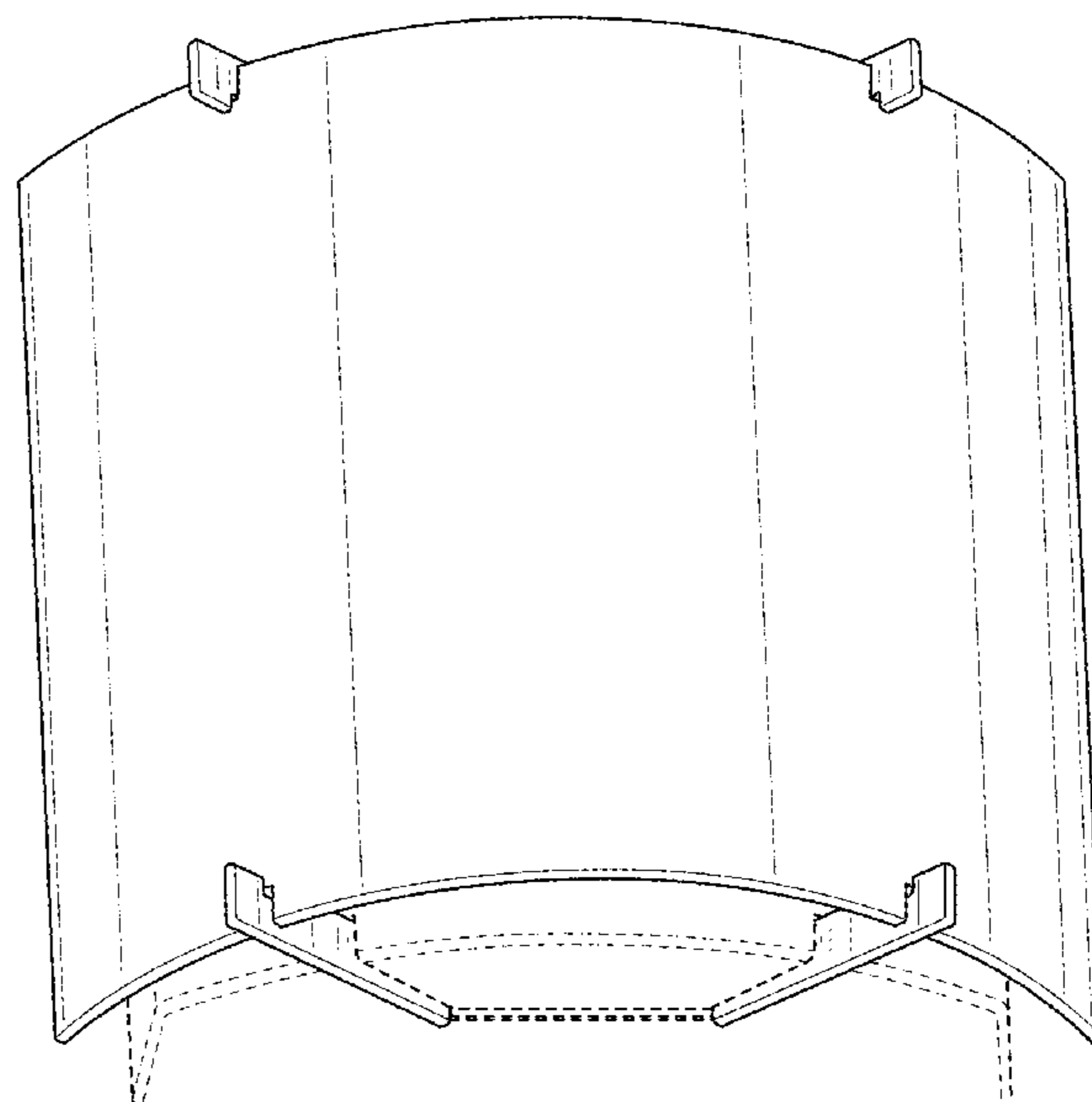
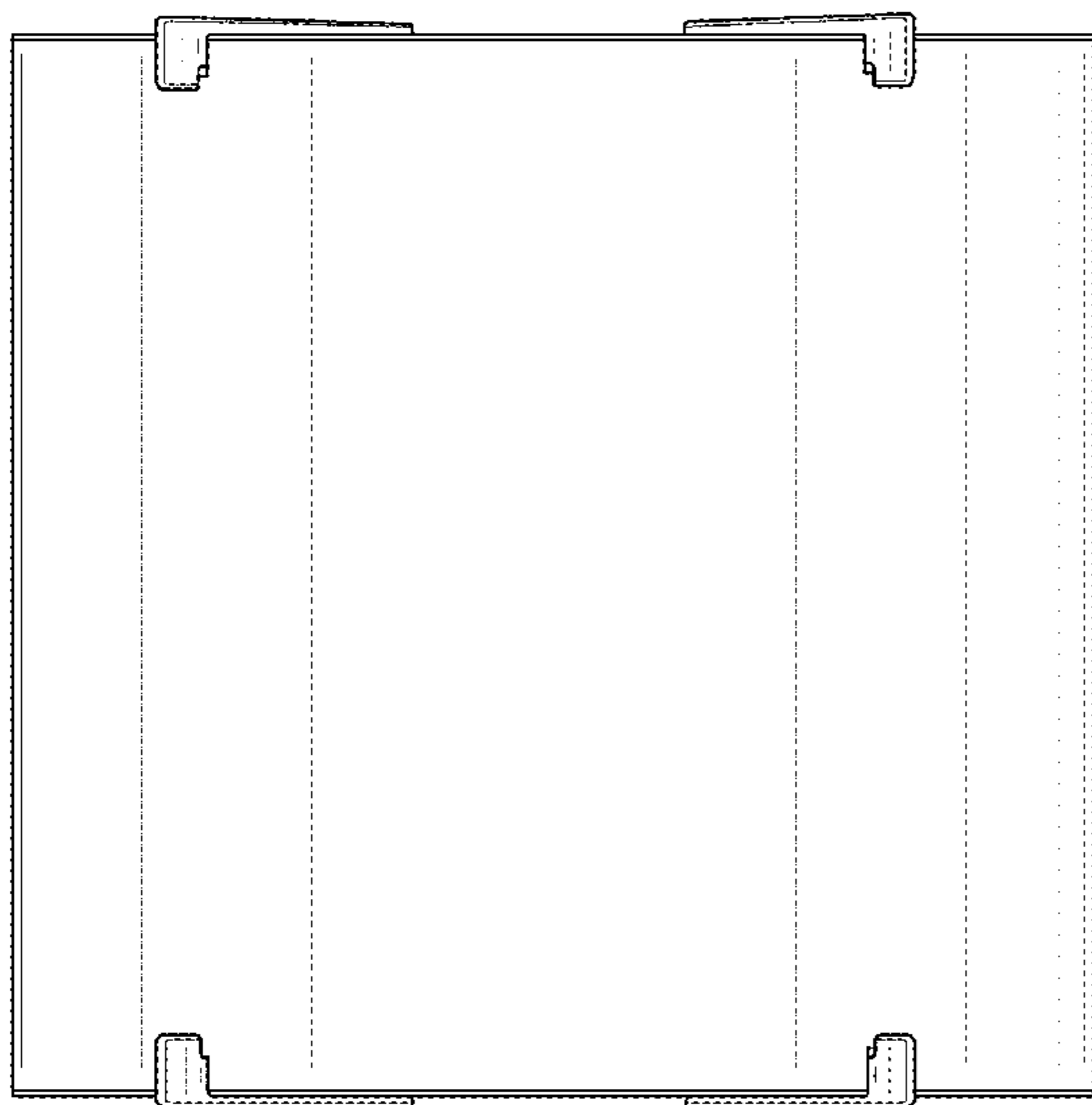
FIG. 2 is a top side perspective view for the multi-segmented corridor light shown in FIG. 1;

FIG. 3 is a bottom side perspective view of the multi-segmented corridor light shown in FIG. 1; and,

FIG. 4 is a left side view of the multi-segmented corridor light shown in FIG. 1, and only the left side view is provided as the right side view is a mirror image.

The broken lines shown in the drawings represent portions of the multi-segment corridor light that form no part of the claimed design. A rear view has been excluded from the figures, as the rear view is flat and devoid of surface ornamentation.

**1 Claim, 4 Drawing Sheets**



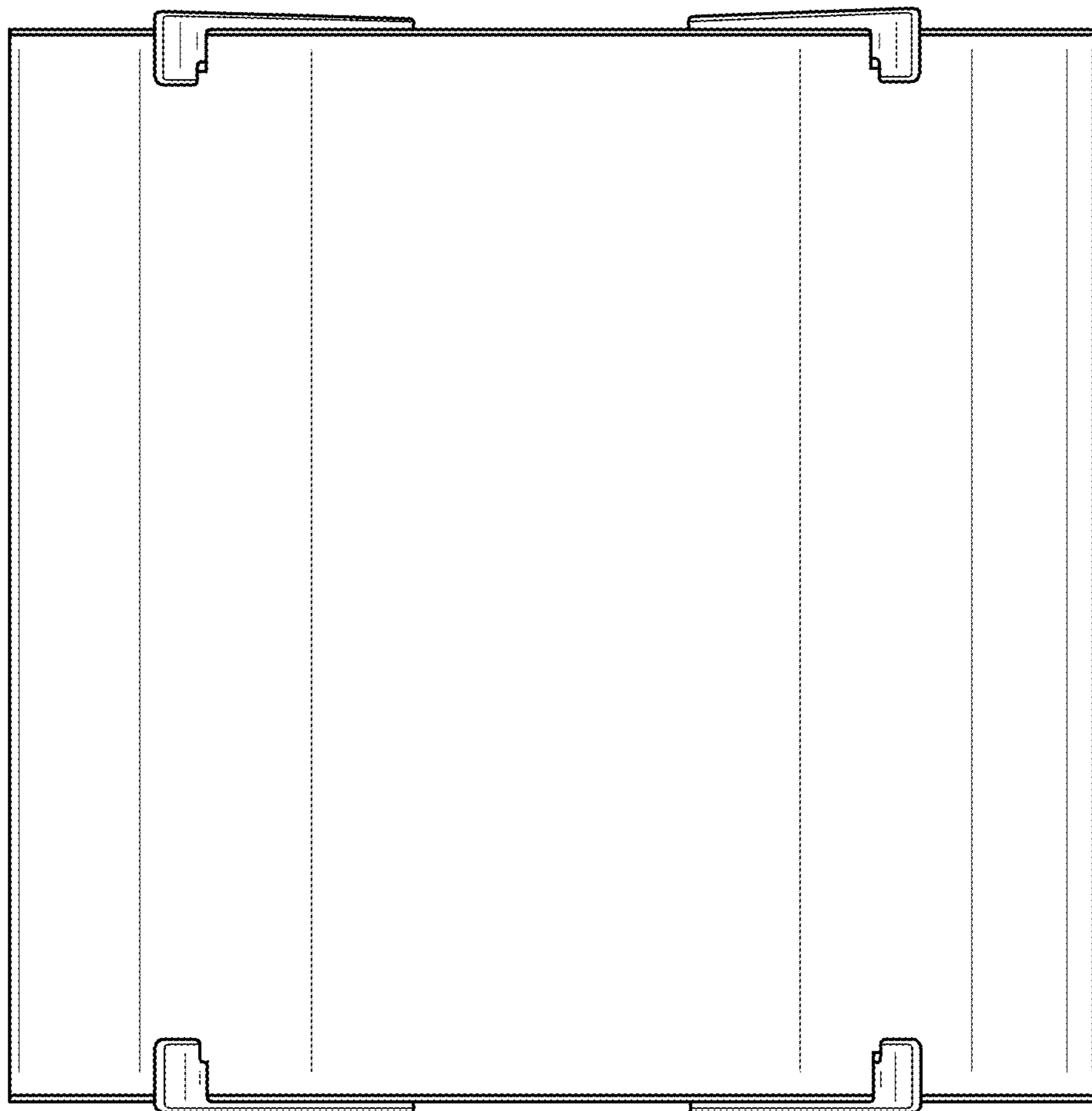


FIG. 1

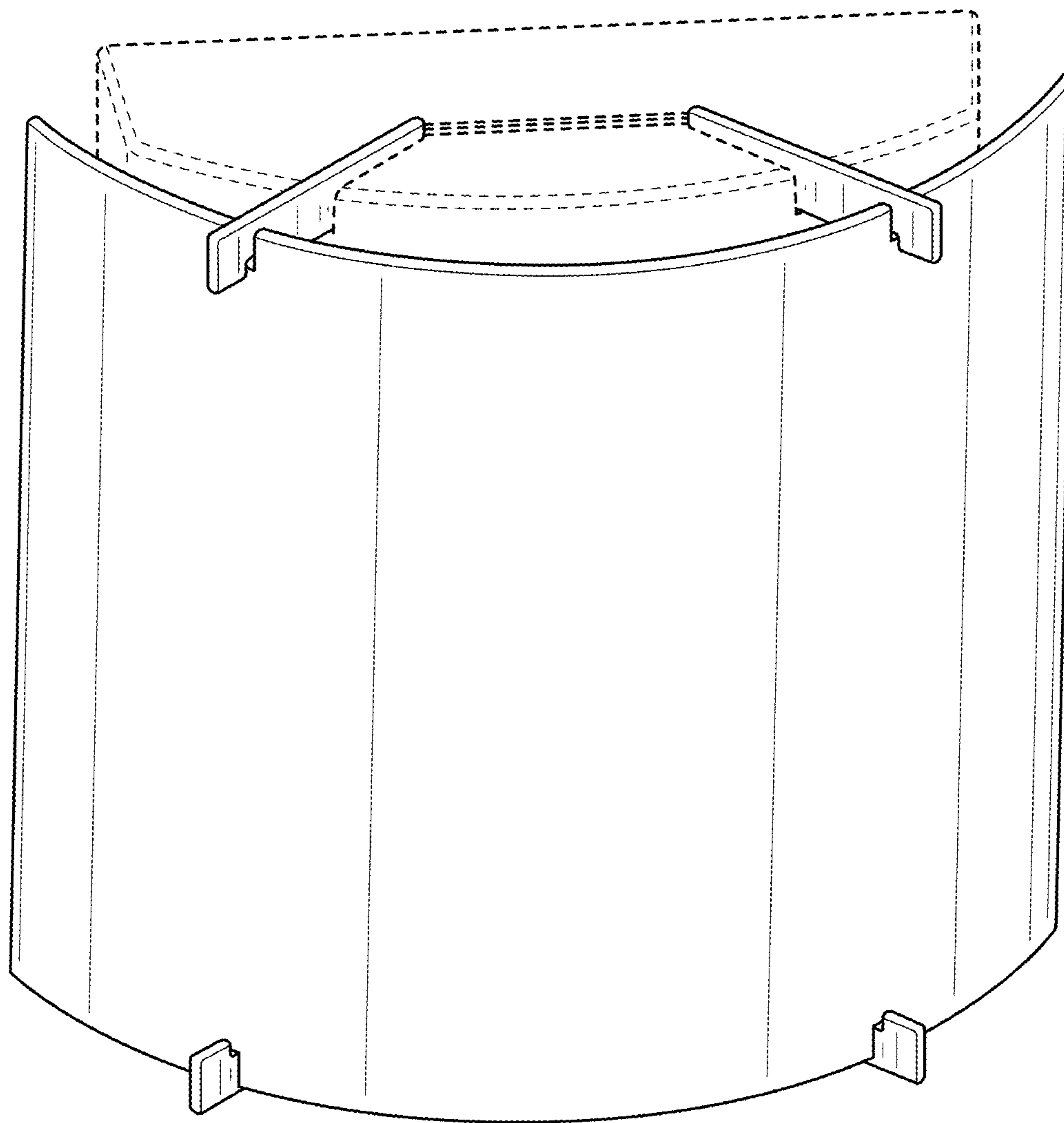


FIG. 2

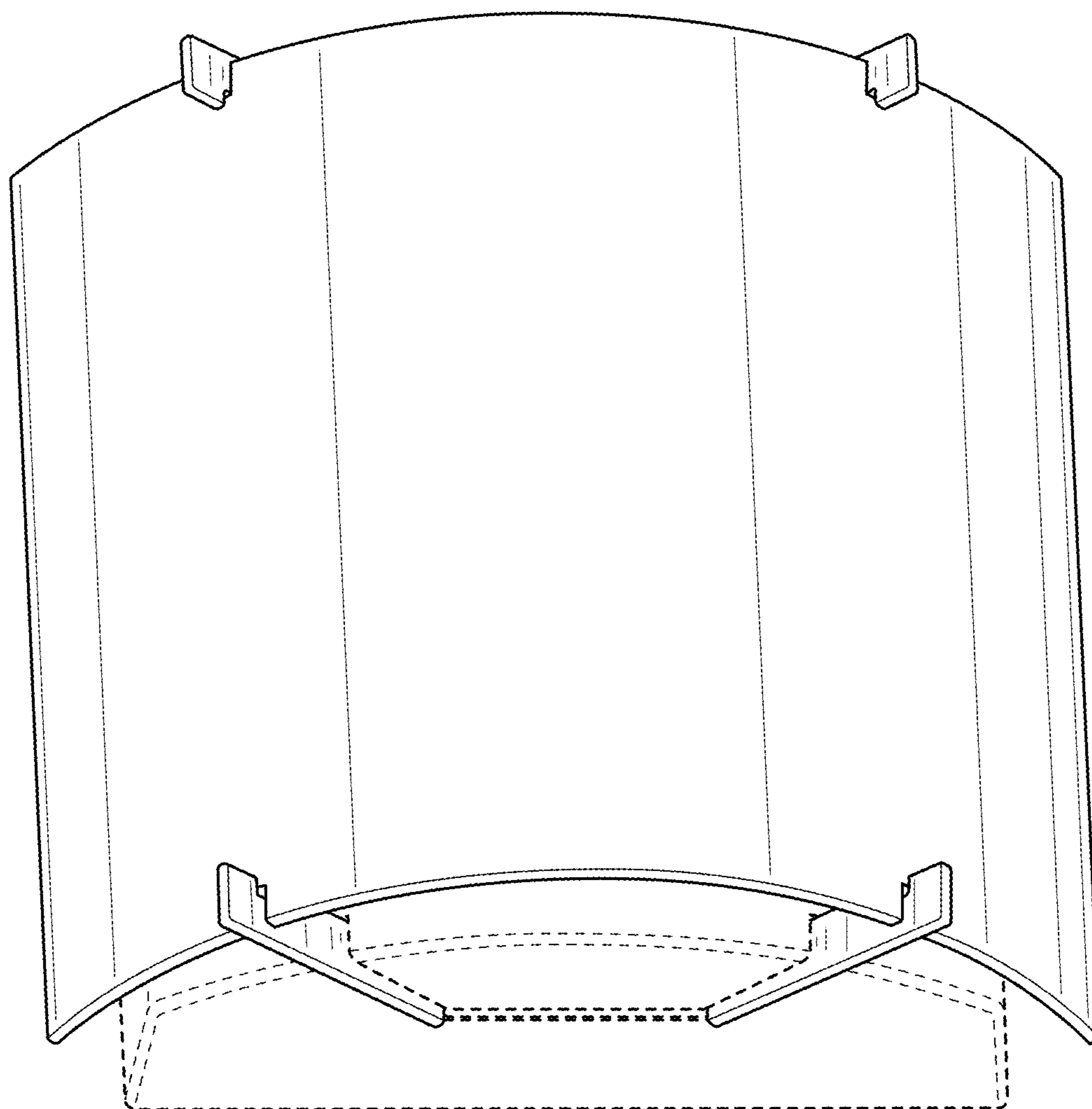


FIG. 3

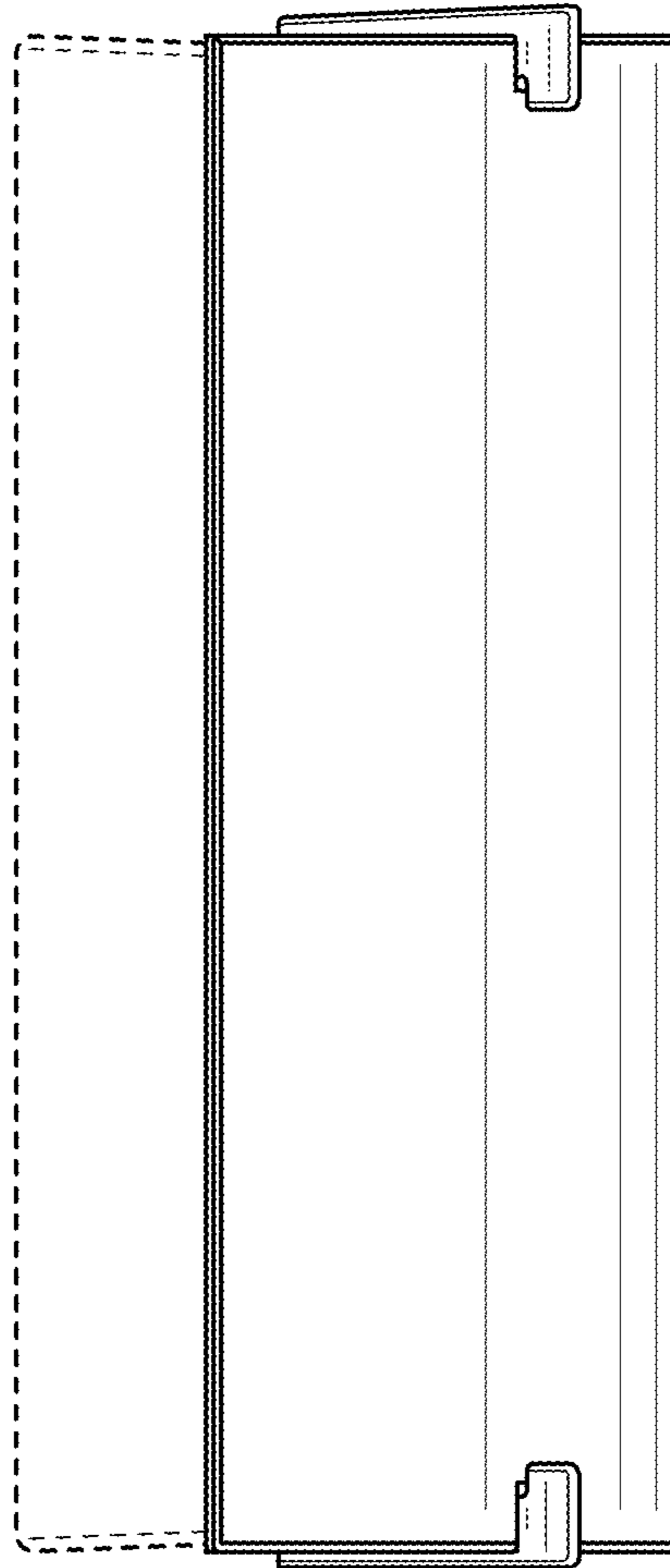


FIG. 4