



US00D783874S

(12) **United States Design Patent** (10) **Patent No.:** **US D783,874 S**  
**Möller et al.** (45) **Date of Patent:** **\*\* Apr. 11, 2017**

(54) **SPOTLIGHT**

(56) **References Cited**

(71) Applicant: **Arnold & Richter Cine Technik GmbH & Co Betriebs KG**, Munich (DE)

U.S. PATENT DOCUMENTS

D699,382 S	2/2014	Möller et al.	
D728,840 S *	5/2015	Eustace	D26/63
D735,388 S *	7/2015	Schlegel	D26/63
D750,826 S *	3/2016	Jonischkeit	D26/61
D750,827 S *	3/2016	Jonischkeit	D26/61
D751,234 S *	3/2016	Eustace	D26/63

(72) Inventors: **Andreas Möller**, München (DE); **Heinz Ostermann**, München (DE); **Erwin Melzner**, Frasdorf (DE); **Michael Jonischkeit**, Alxing (DE); **Johannes Huttner**, München (DE)

OTHER PUBLICATIONS

Design U.S. Appl. No. 29/403,644, filed Oct. 7, 2011, 20 pages.  
Design U.S. Appl. No. 29/414,972, filed Mar. 6, 2012, 10 pages.  
Design U.S. Appl. No. 29/504,544, filed Oct. 7, 2014, 9 pages.

(73) Assignee: **Arnold & Richter Cine Technik GmbH & Co. Betriebs KG**, Munich (DE)

\* cited by examiner

(\*\*) Term: **14 Years**

*Primary Examiner* — Brian N Vinson

(21) Appl. No.: **29/524,224**

(74) *Attorney, Agent, or Firm* — Lewis Roca Rothgerber Christie LLP

(22) Filed: **Apr. 17, 2015**

(57) **CLAIM**

(30) **Foreign Application Priority Data**

The ornamental design for a spotlight, as shown and described.

Oct. 17, 2014 (DE) ..... 40 2014 100 977

**DESCRIPTION**

(51) **LOC (10) Cl.** ..... **26-03**

FIG. 1 is a perspective front view of the spotlight from the left side;

(52) **U.S. Cl.**

FIG. 2 is a perspective front view thereof;

USPC ..... **D26/63**

FIG. 3 is a perspective right side view thereof;

(58) **Field of Classification Search**

USPC ..... D26/1, 24, 61, 63, 65, 85, 92

FIG. 4 is a perspective rear view thereof;

CPC ..... F21V 21/14; F21V 15/01; F21V 14/02;

FIG. 5 is a perspective left side view thereof;

F21V 21/30; F21V 21/00; F21V 14/00;

FIG. 6 is a perspective bottom view thereof; and,

F21S 8/00; F21S 8/003; F21S 8/043;

FIG. 7 is a perspective top view thereof.

F21Y 2105/001

See application file for complete search history.

**1 Claim, 7 Drawing Sheets**

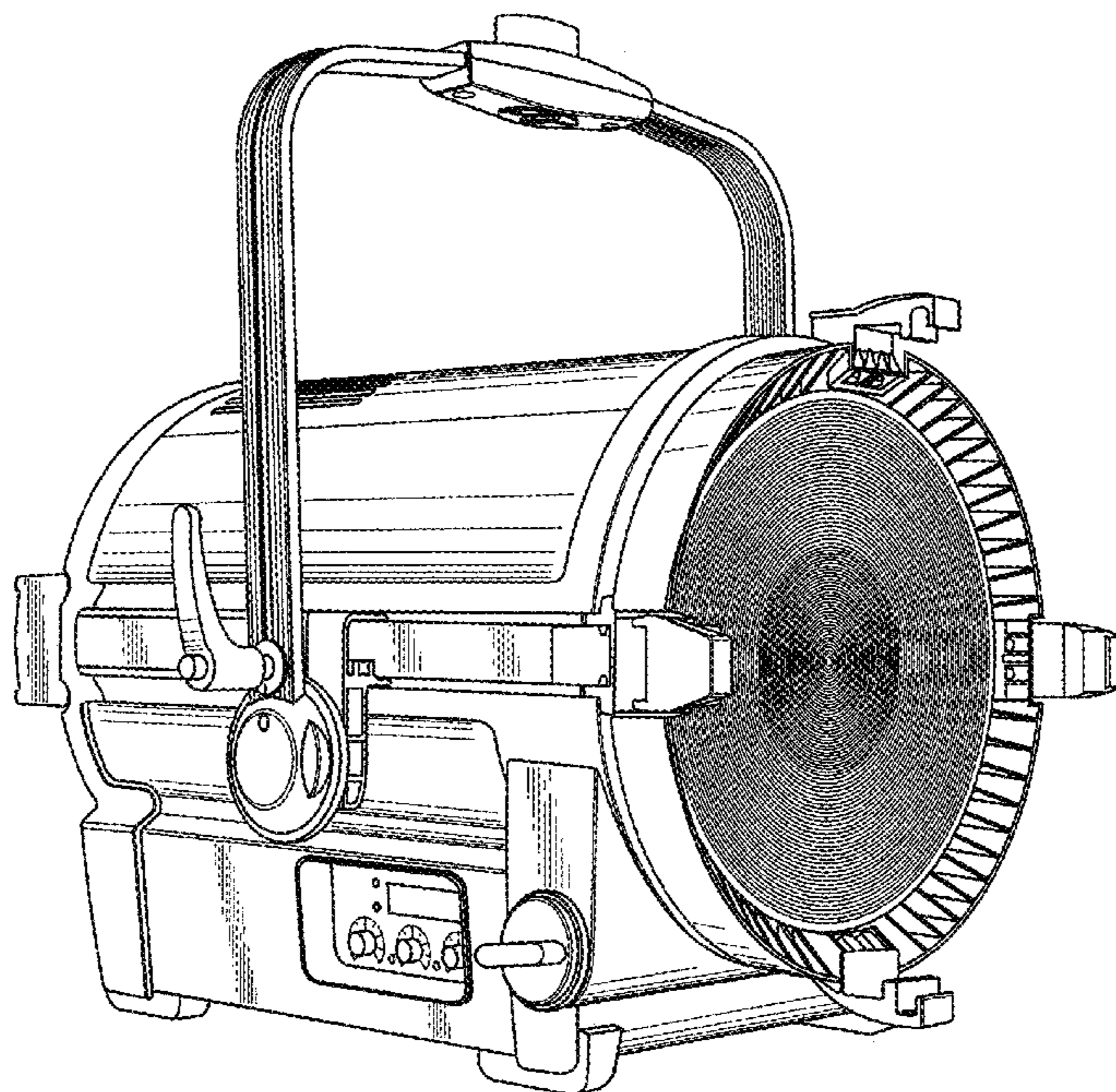


FIG. 1

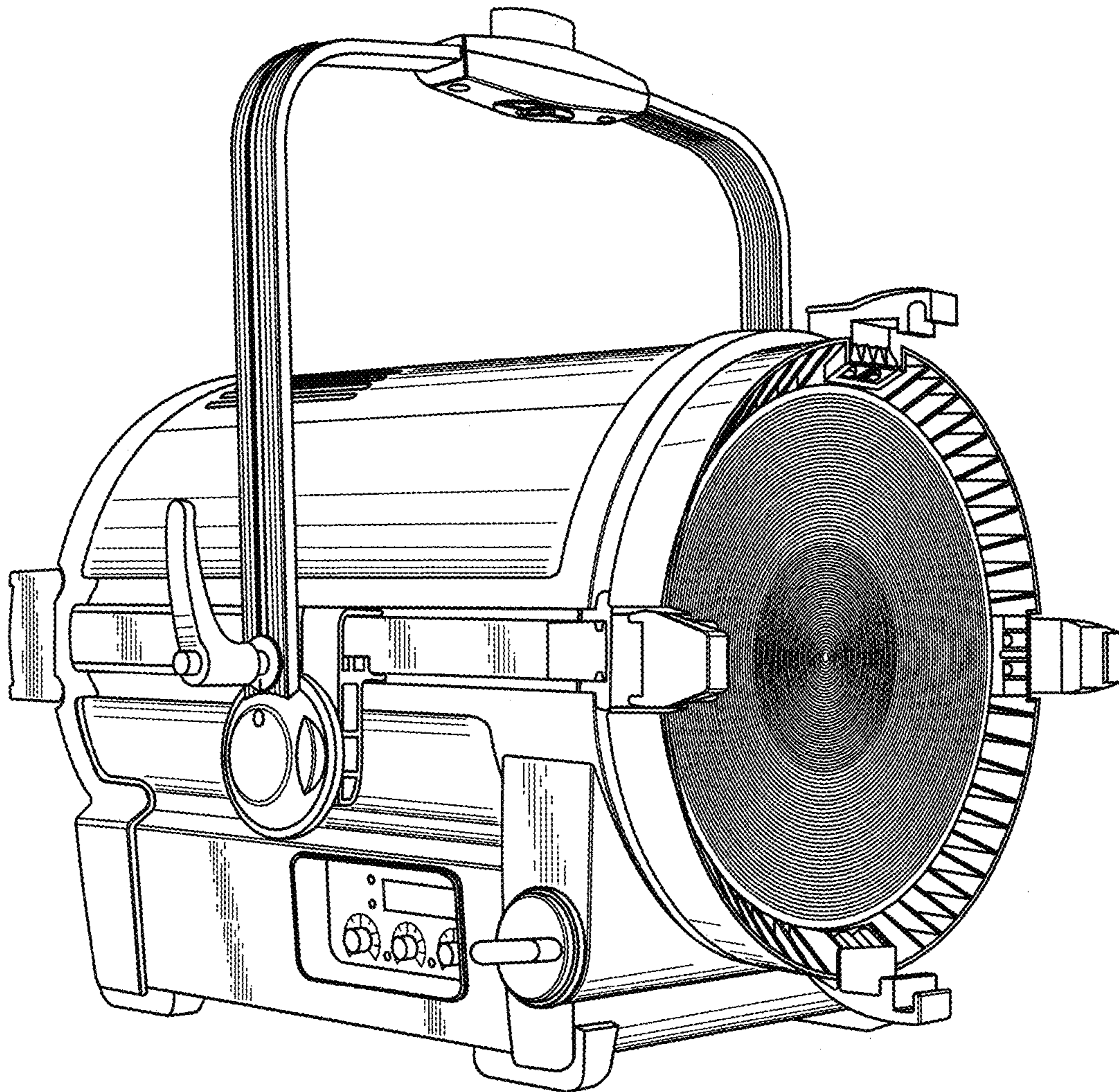


FIG. 2

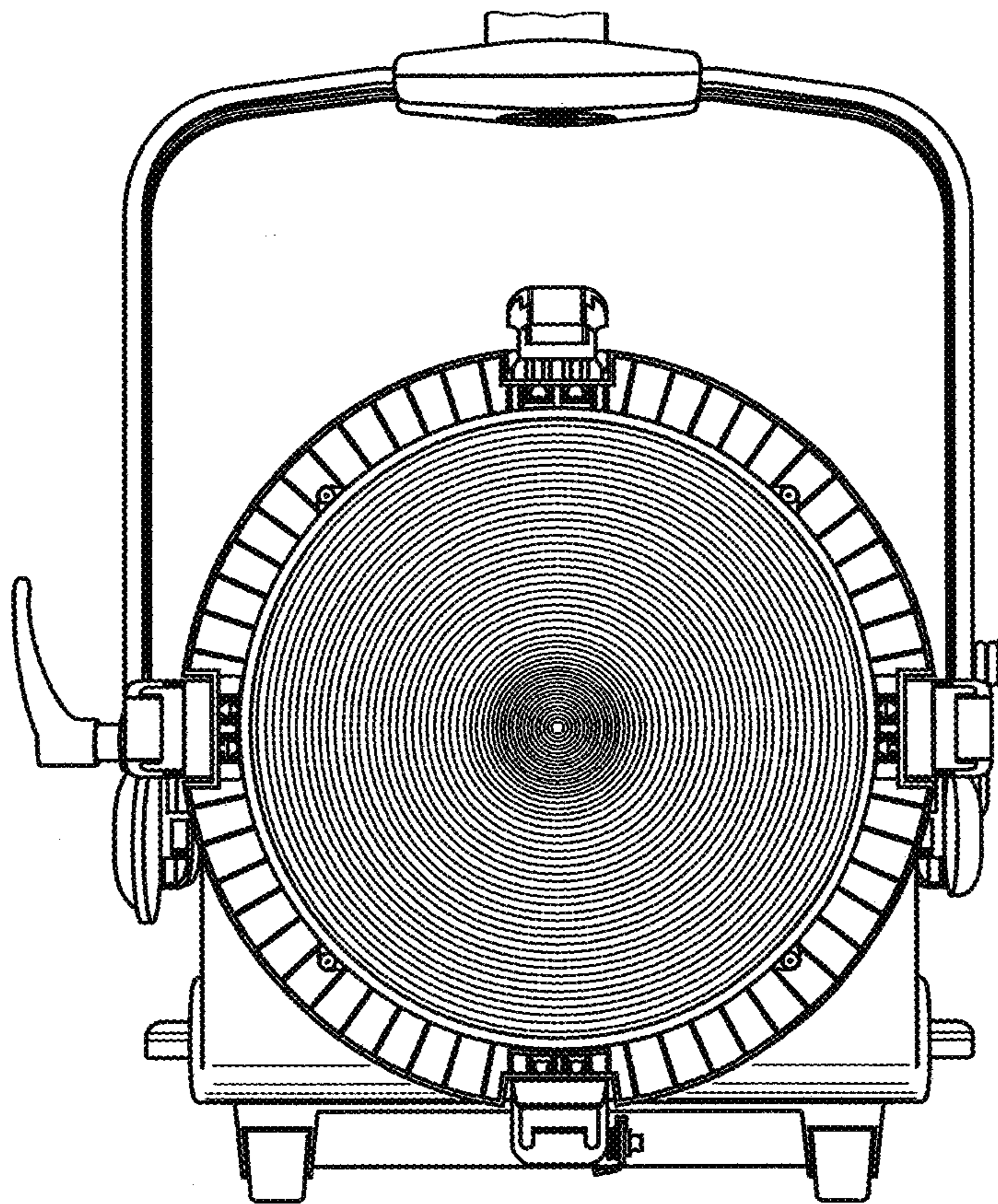


FIG. 3

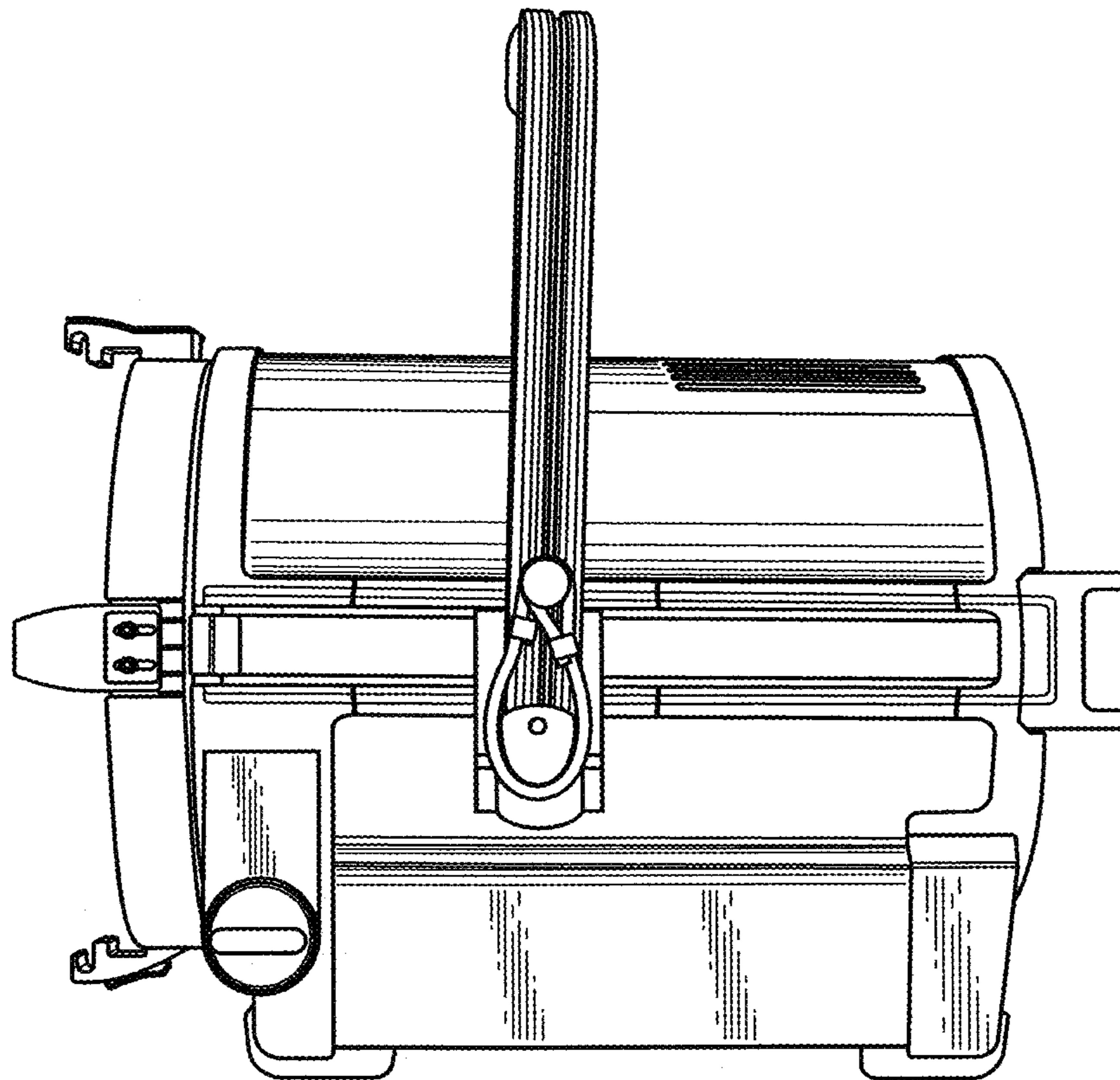
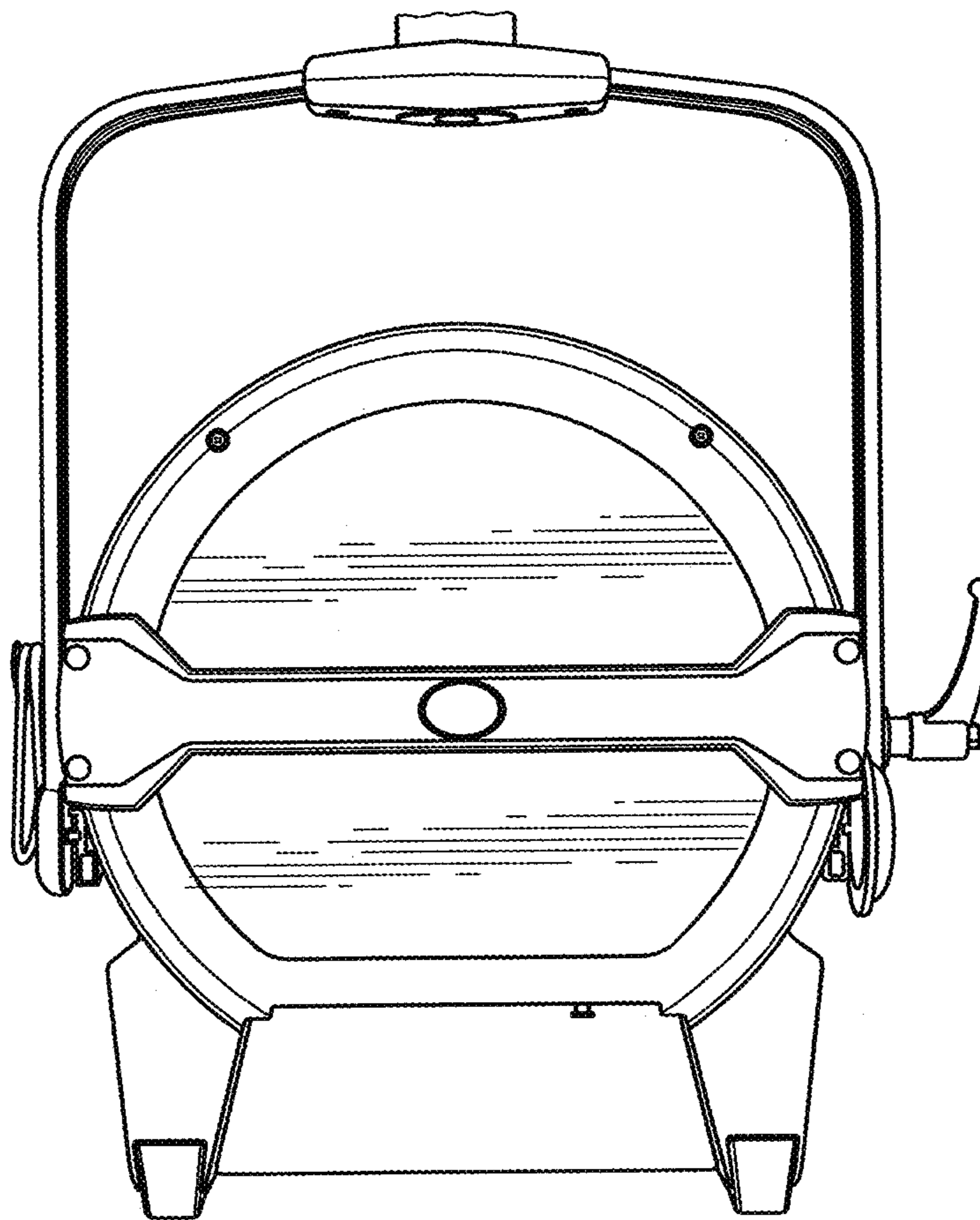


FIG. 4



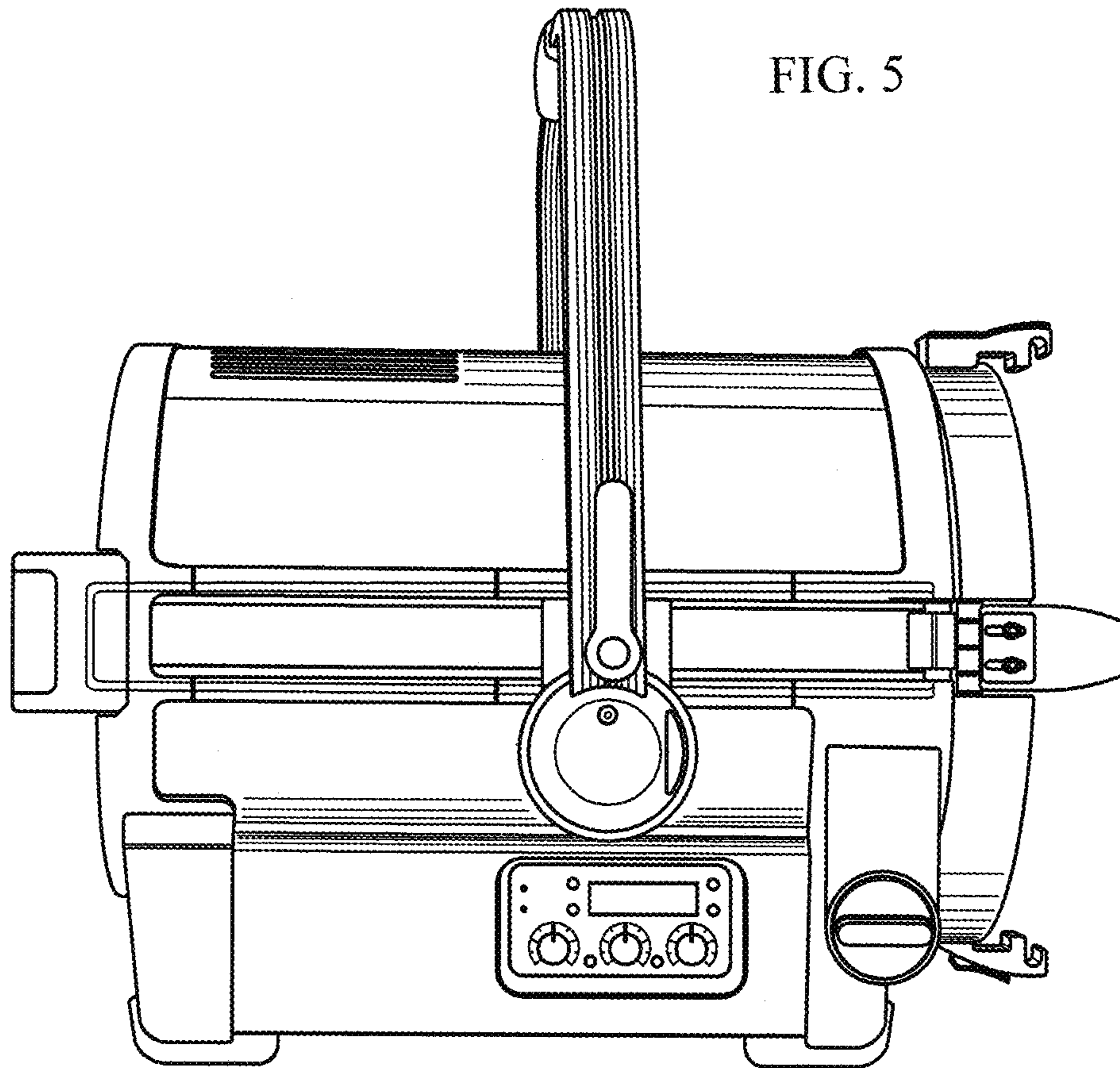


FIG. 6

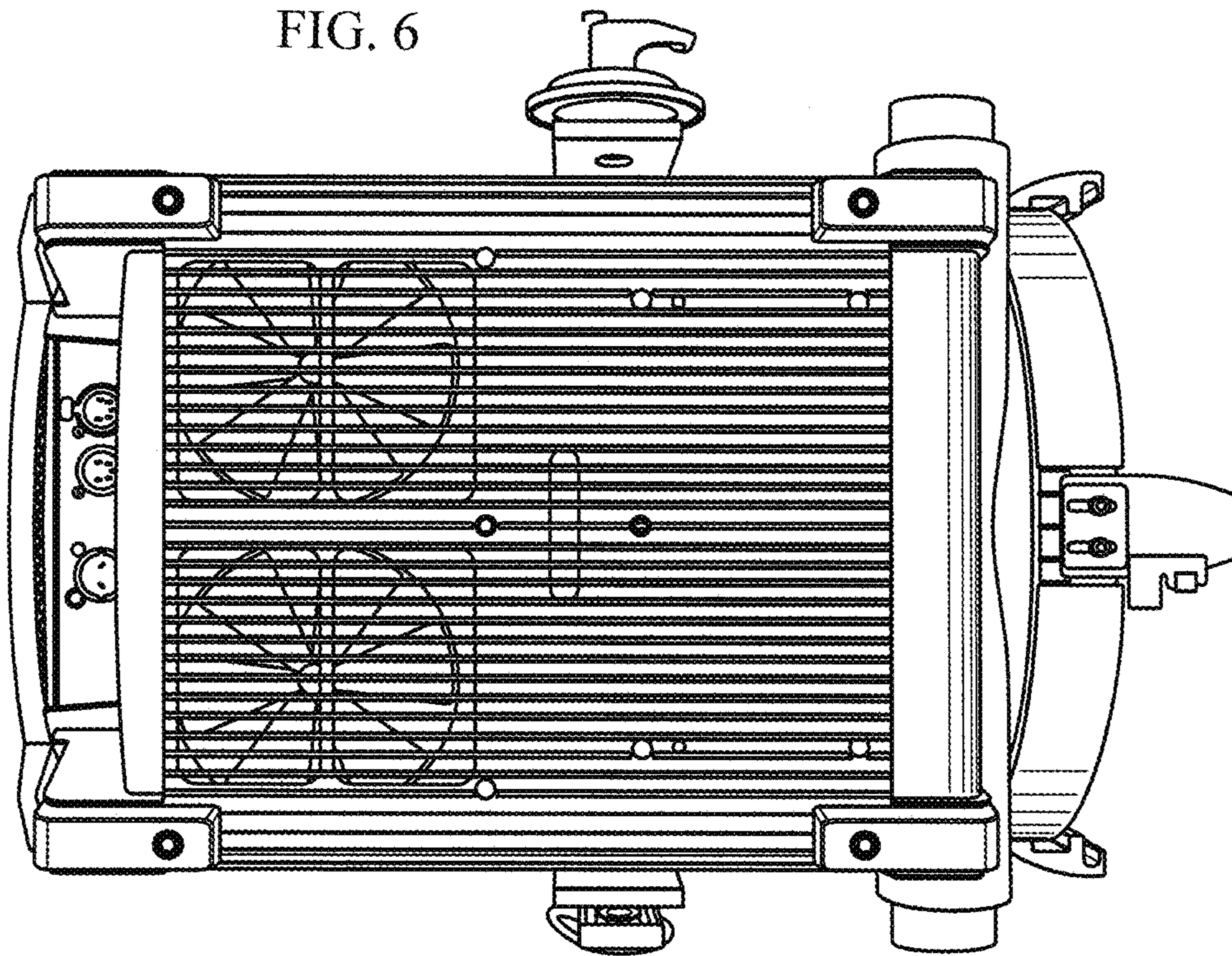


FIG. 7

