



US00D783873S

(12) **United States Design Patent**  
**Wallach**

(10) **Patent No.:** **US D783,873 S**

(45) **Date of Patent:** **\*\* \*Apr. 11, 2017**

(54) **LIGHT FIXTURE WITH MOTION SENSOR**

(71) Applicant: **CAPSTONE LIGHTING TECHNOLOGIES LLC**, Deerfield Beach, FL (US)

(72) Inventor: **Stewart Wallach**, Deerfield Beach, FL (US)

(\*) Notice: This patent is subject to a terminal disclaimer.

(\*\*) Term: **14 Years**

(21) Appl. No.: **29/468,390**

(22) Filed: **Sep. 30, 2013**

(51) **LOC (10) Cl.** ..... **26-05**

(52) **U.S. Cl.**  
USPC ..... **D26/51**

(58) **Field of Classification Search**  
USPC ..... D26/51, 38, 62, 63, 65, 37; 362/269, 362/275, 427, 418, 419, 421, 157, 158; D10/104, 106  
CPC ..... F21V 33/00; F21V 14/025; F21V 21/406; F21Y 2101/02; F21L 17/00; F21L 13/08  
See application file for complete search history.

(56) **References Cited**

**U.S. PATENT DOCUMENTS**

D323,405 S \* 1/1992 Kin ..... D26/51  
D424,727 S \* 5/2000 Greubel ..... D26/51

D486,259 S \* 2/2004 Crawford et al. .... D26/51  
D603,991 S \* 11/2009 Hiratsuka ..... D26/51  
D614,334 S \* 4/2010 Thomson et al. .... D26/38  
D693,500 S \* 11/2013 Souvay et al. .... D26/51  
D700,385 S \* 2/2014 Quadri ..... D26/63  
D702,386 S \* 4/2014 Valeri et al. .... D26/63

\* cited by examiner

*Primary Examiner* — Ian Simmons  
*Assistant Examiner* — Carissa C Fitts

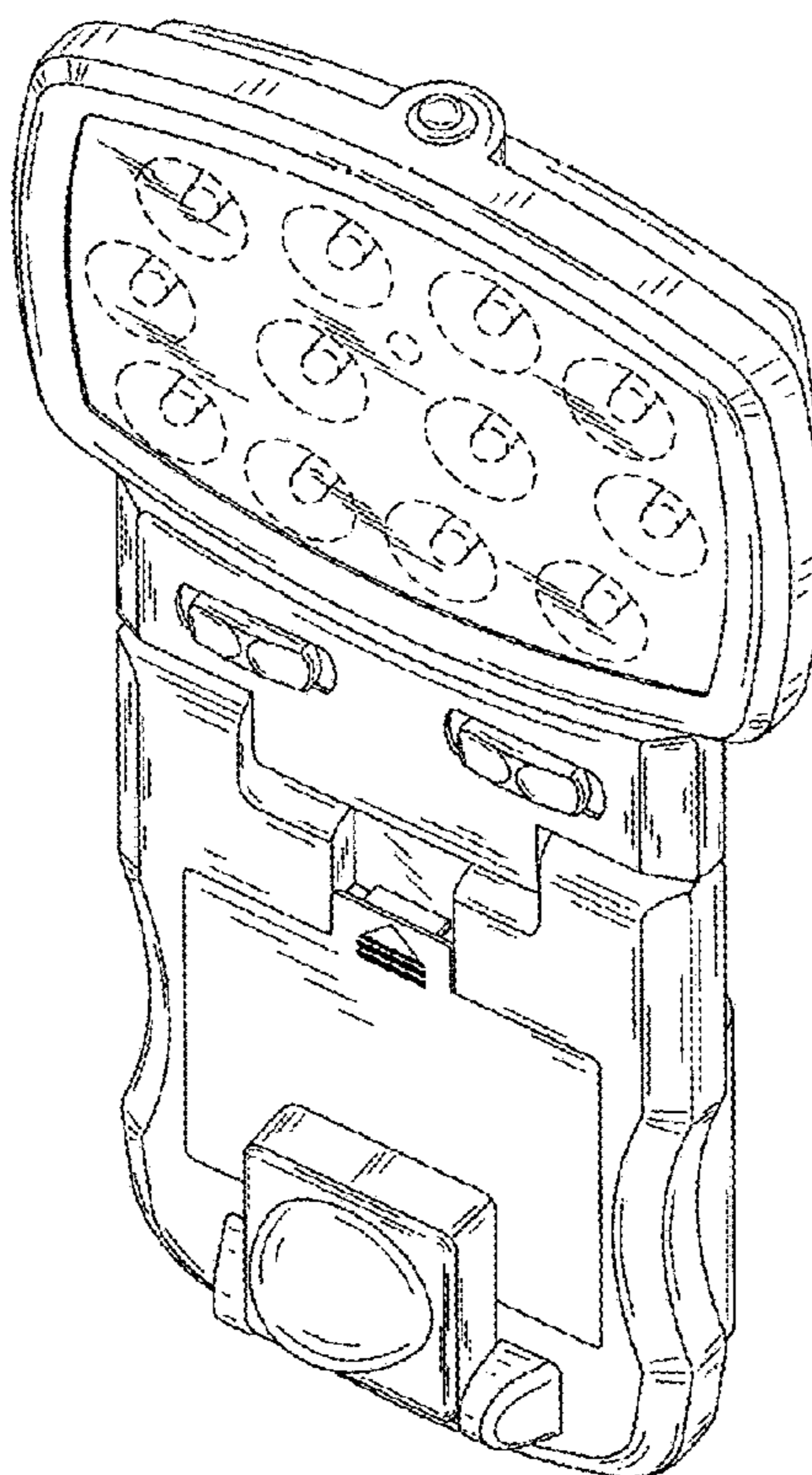
(57) **CLAIM**

The ornamental design for a light fixture with motion sensor, as shown and described.

**DESCRIPTION**

FIG. 1 is a perspective view of a light fixture with motion sensor showing my new design;  
FIG. 2 is a front elevational view thereof;  
FIG. 3 is a rear elevational view thereof;  
FIG. 4 is a left side elevational view thereof;  
FIG. 5 is a right side elevational view thereof;  
FIG. 6 is a top plan view thereof;  
FIG. 7 is a bottom plan view thereof;  
FIG. 8 is another perspective view thereof; and,  
FIG. 9 is another perspective view thereof.  
The broken line showing represents portions of the article not claimed and forms no part of the claimed design.

**1 Claim, 8 Drawing Sheets**



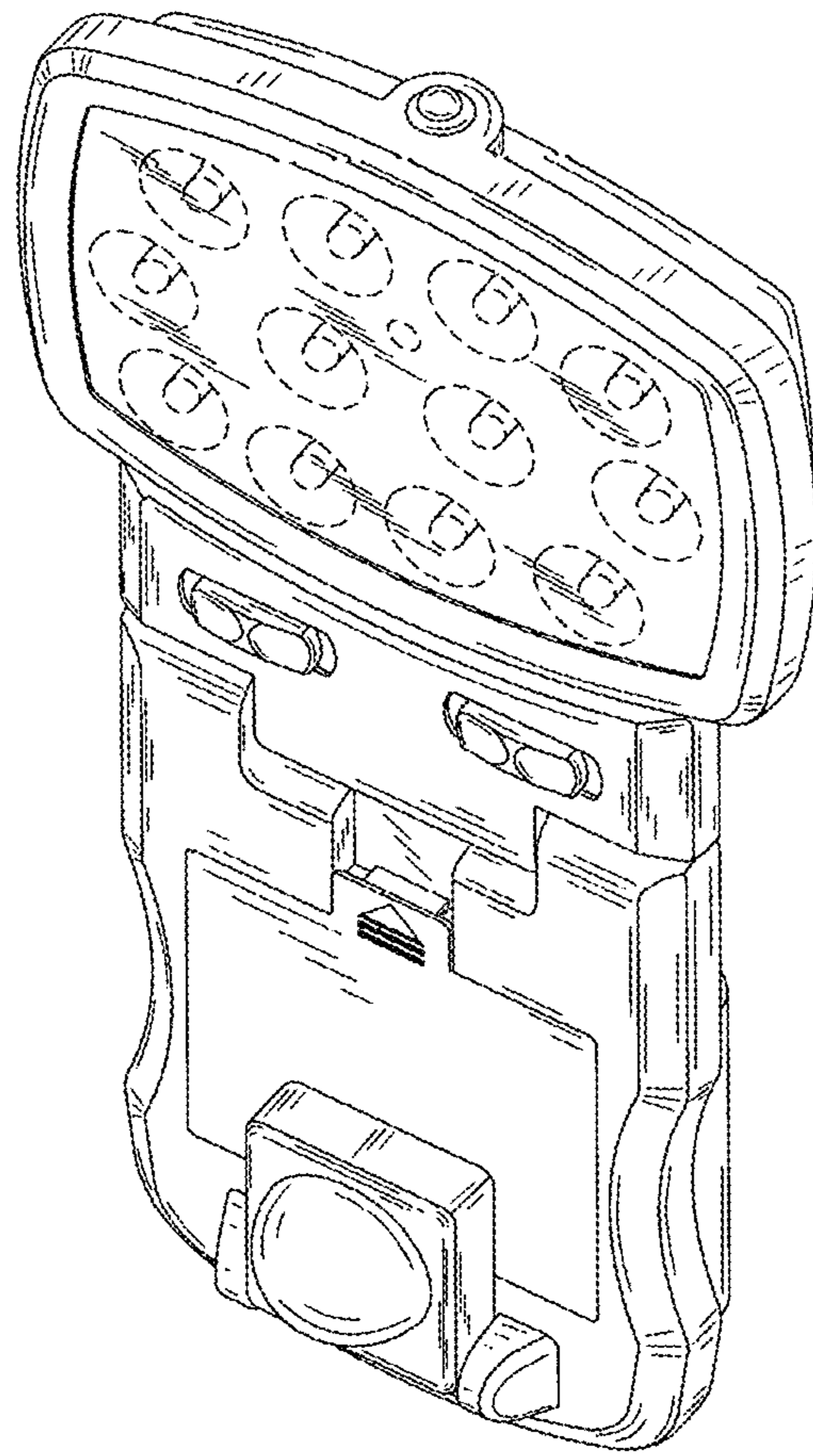


FIG.1

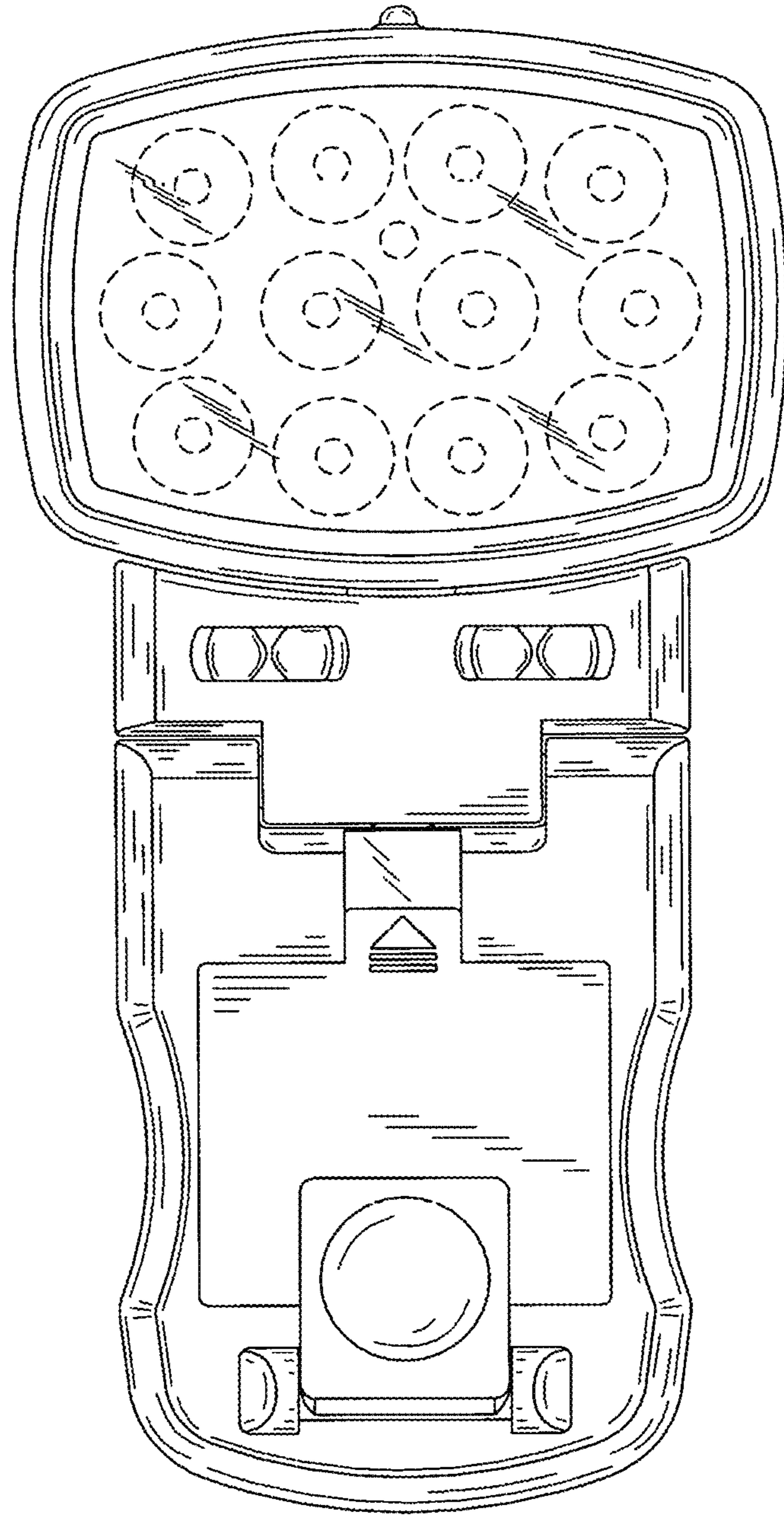


FIG.2

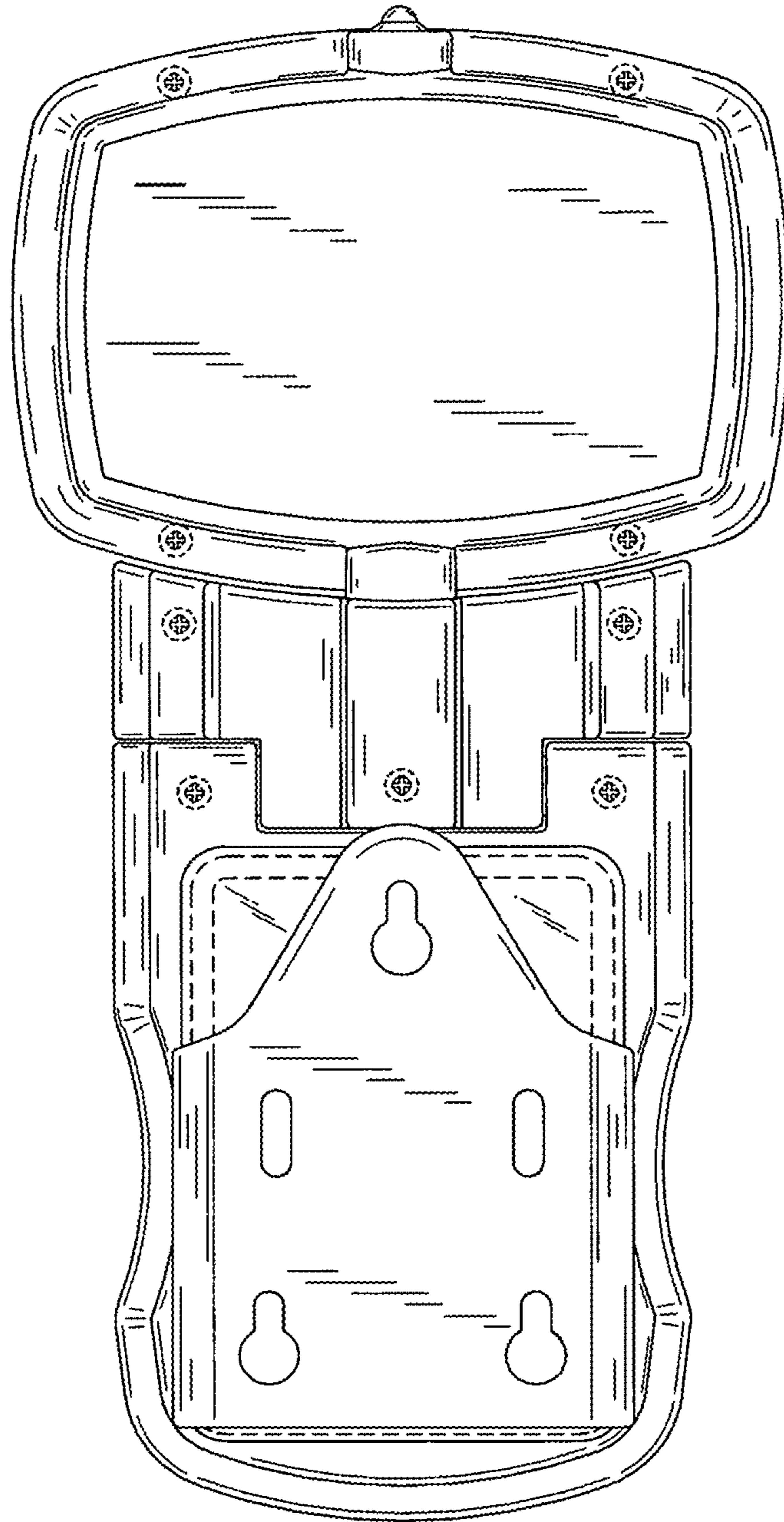


FIG.3

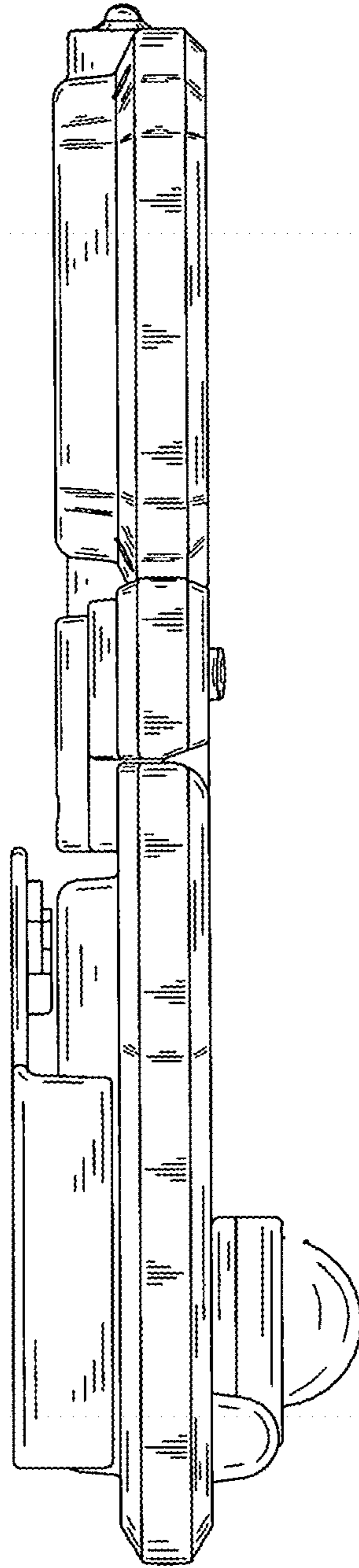


FIG.4

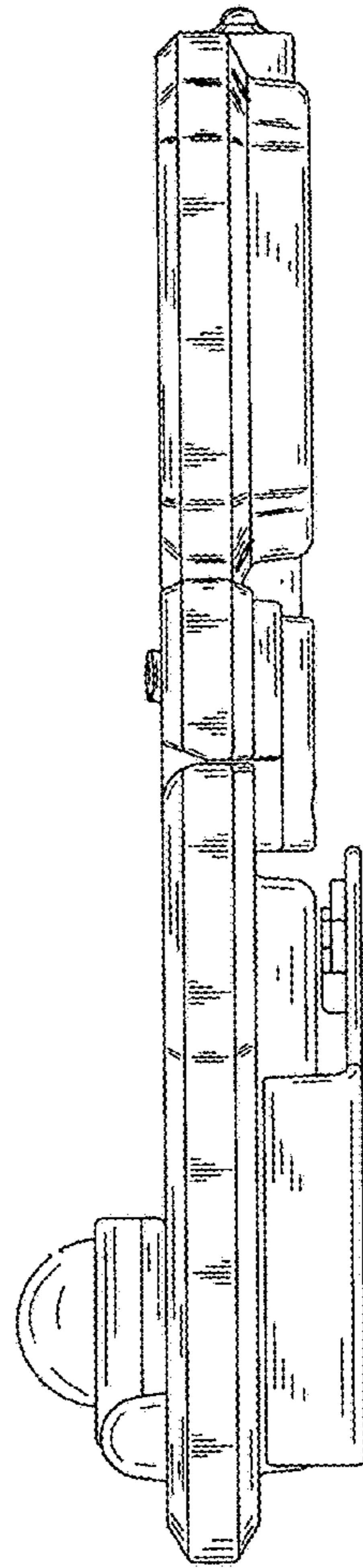


FIG.5

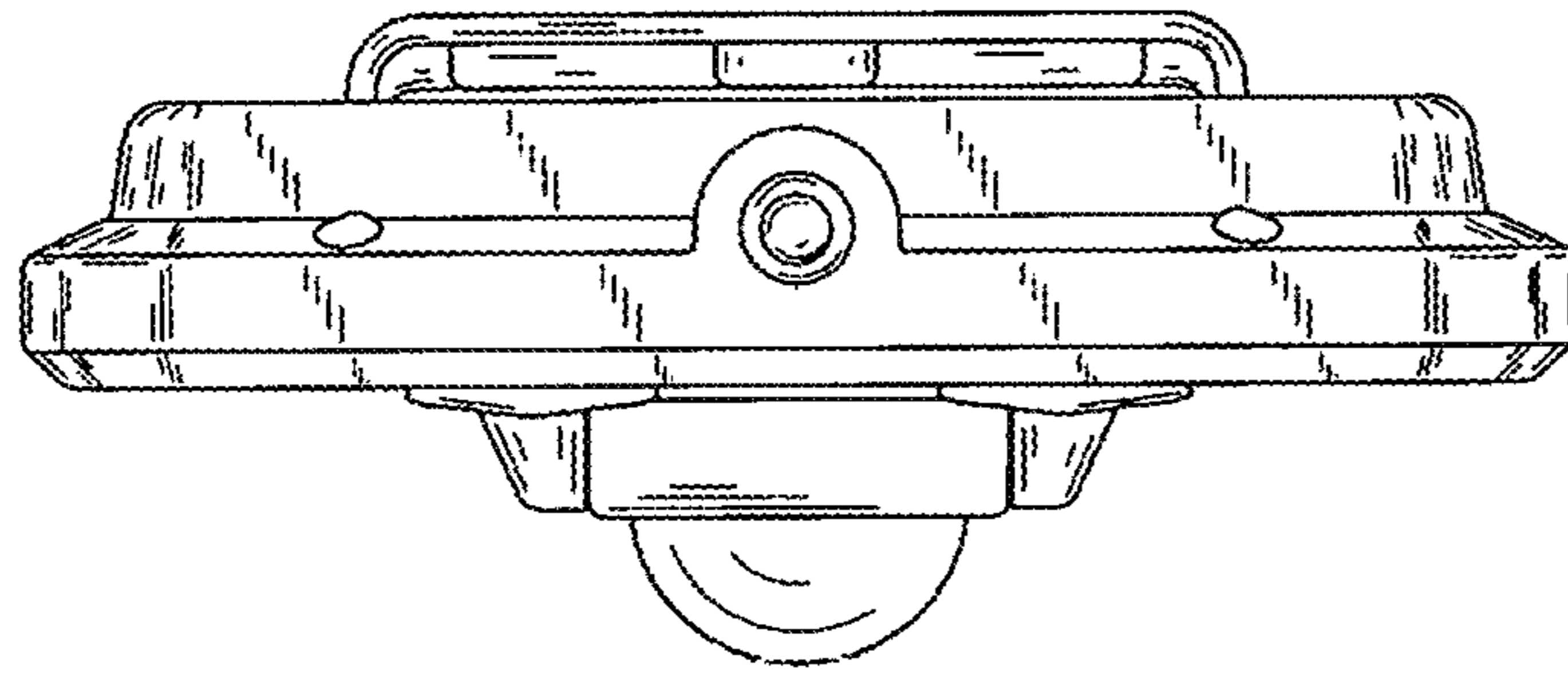


FIG. 6

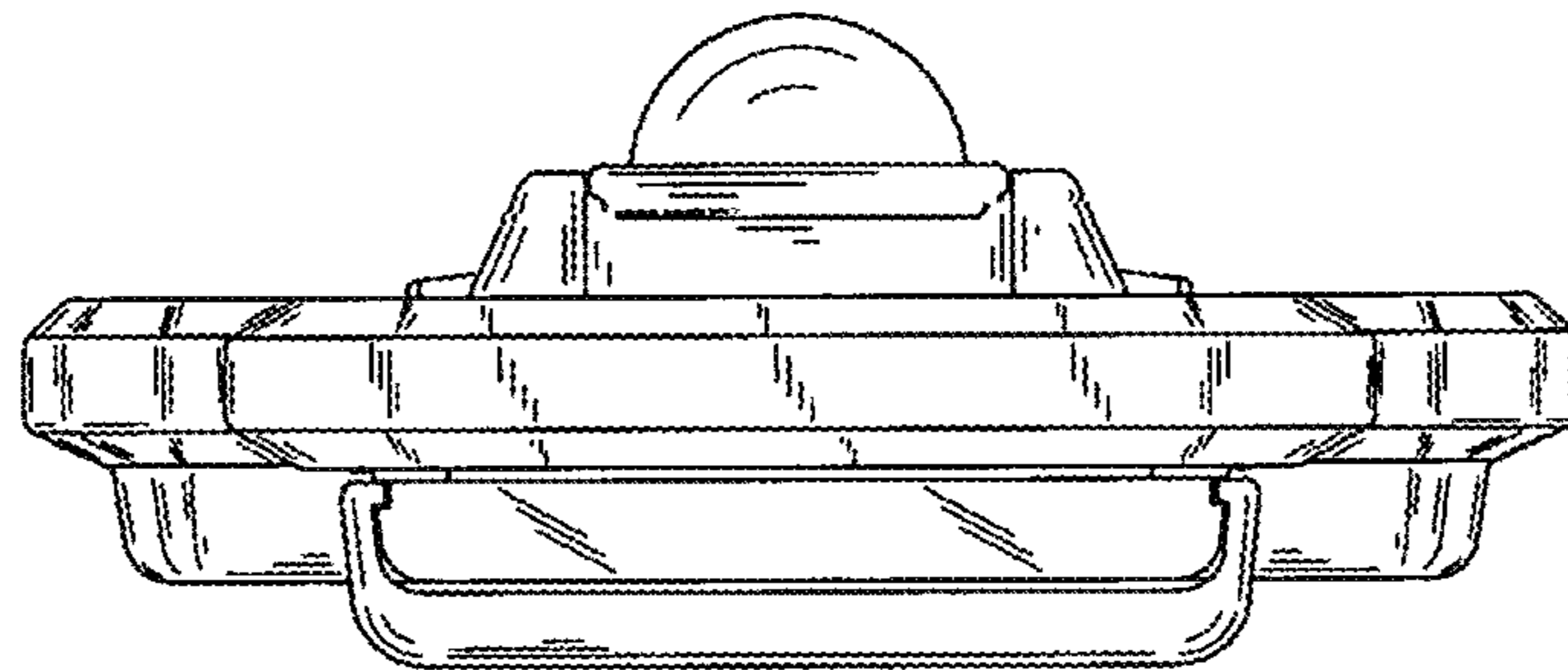


FIG. 7

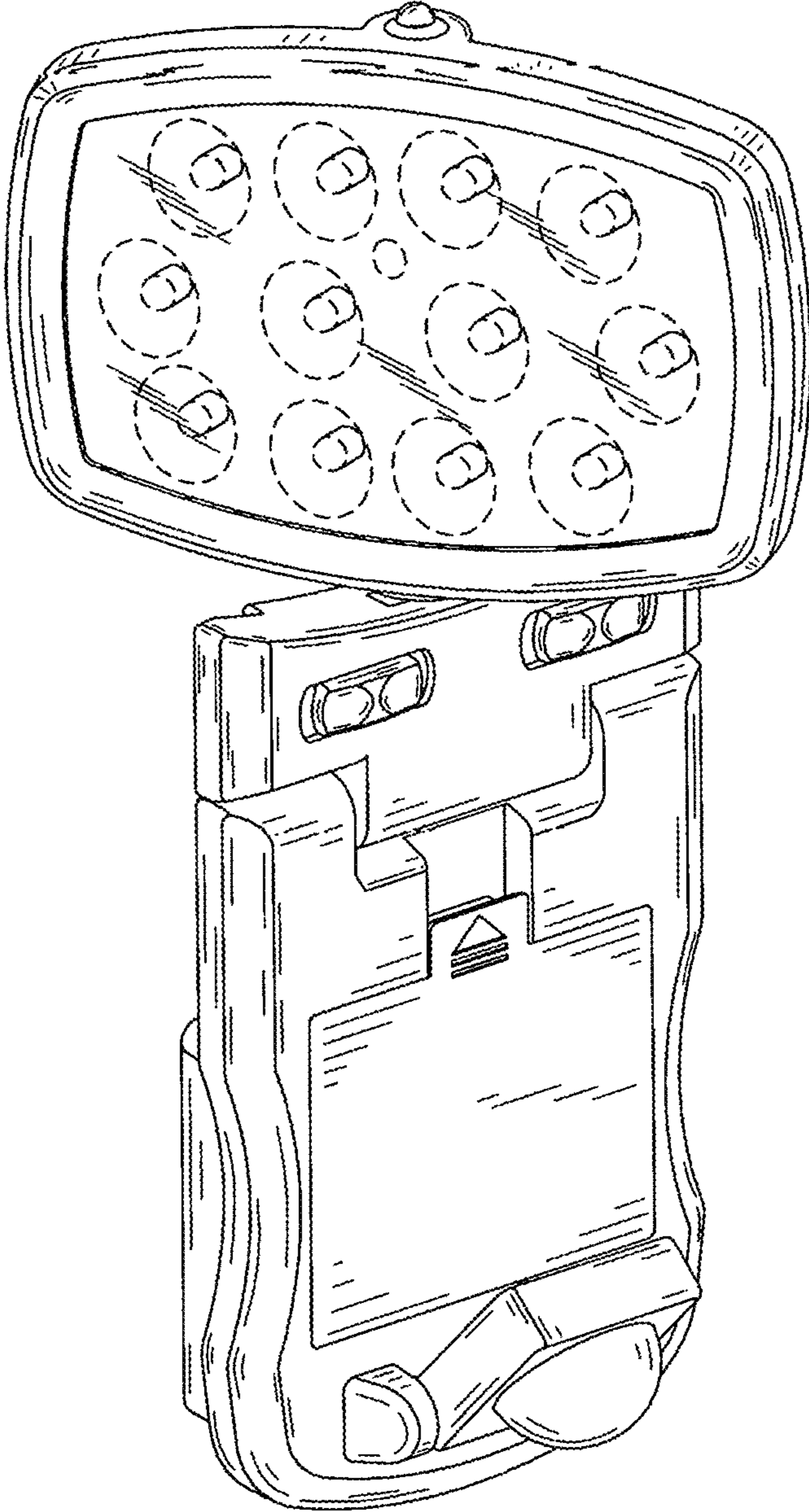


FIG.8



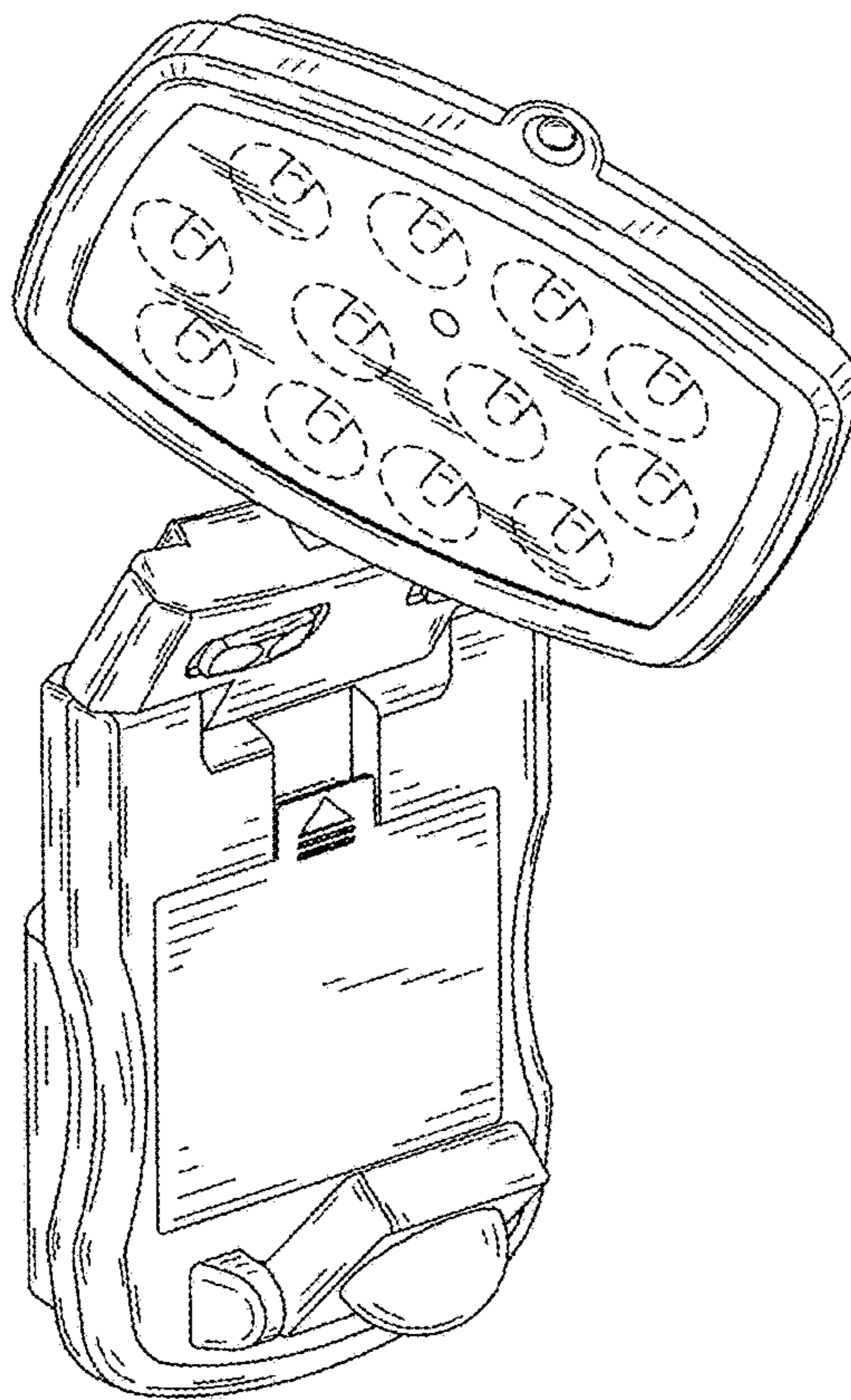


FIG.9