



US00D783870S

(12) **United States Design Patent**
Yamakawa et al.

(10) **Patent No.:** **US D783,870 S**
(45) **Date of Patent:** **** Apr. 11, 2017**

- (54) **HEADLIGHT FOR A MOTOR VEHICLE**
- (71) Applicant: **Mazda Motor Corporation**, Hiroshima (JP)
- (72) Inventors: **Shuma Yamakawa**, Hiroshima (JP);
Tamami Sato, Hiroshima (JP);
Masanori Ito, Hiroshima (JP)
- (73) Assignee: **Mazda Motor Corporation**, Hiroshima (JP)
- (**) Term: **15 Years**
- (21) Appl. No.: **29/557,445**
- (22) Filed: **Mar. 9, 2016**

- (30) **Foreign Application Priority Data**
Sep. 30, 2015 (JP) D2015-021405
- (51) **LOC (10) Cl.** **26-06**
- (52) **U.S. Cl.**
USPC **D26/28**
- (58) **Field of Classification Search**
USPC D26/28-36; 362/80-83, 267-269,
362/459-468, 475-478, 485-487
CPC F21S 48/00; F21S 48/10; F21S 48/115;
F21S 48/225; F21S 48/1233; F21S
48/1266; F21S 48/1388; F21S 48/2268;
F21V 21/04
See application file for complete search history.

- (56) **References Cited**
U.S. PATENT DOCUMENTS
D528,681 S * 9/2006 Nakahara D26/28
D528,685 S * 9/2006 Yoshida D26/28
D544,114 S * 6/2007 Ohta D26/28
D544,614 S * 6/2007 Markefka D26/28
D549,857 S * 8/2007 Lin D26/28
D561,358 S * 2/2008 Tachibana D26/28
D707,866 S 6/2014 Yoshida et al.
* cited by examiner

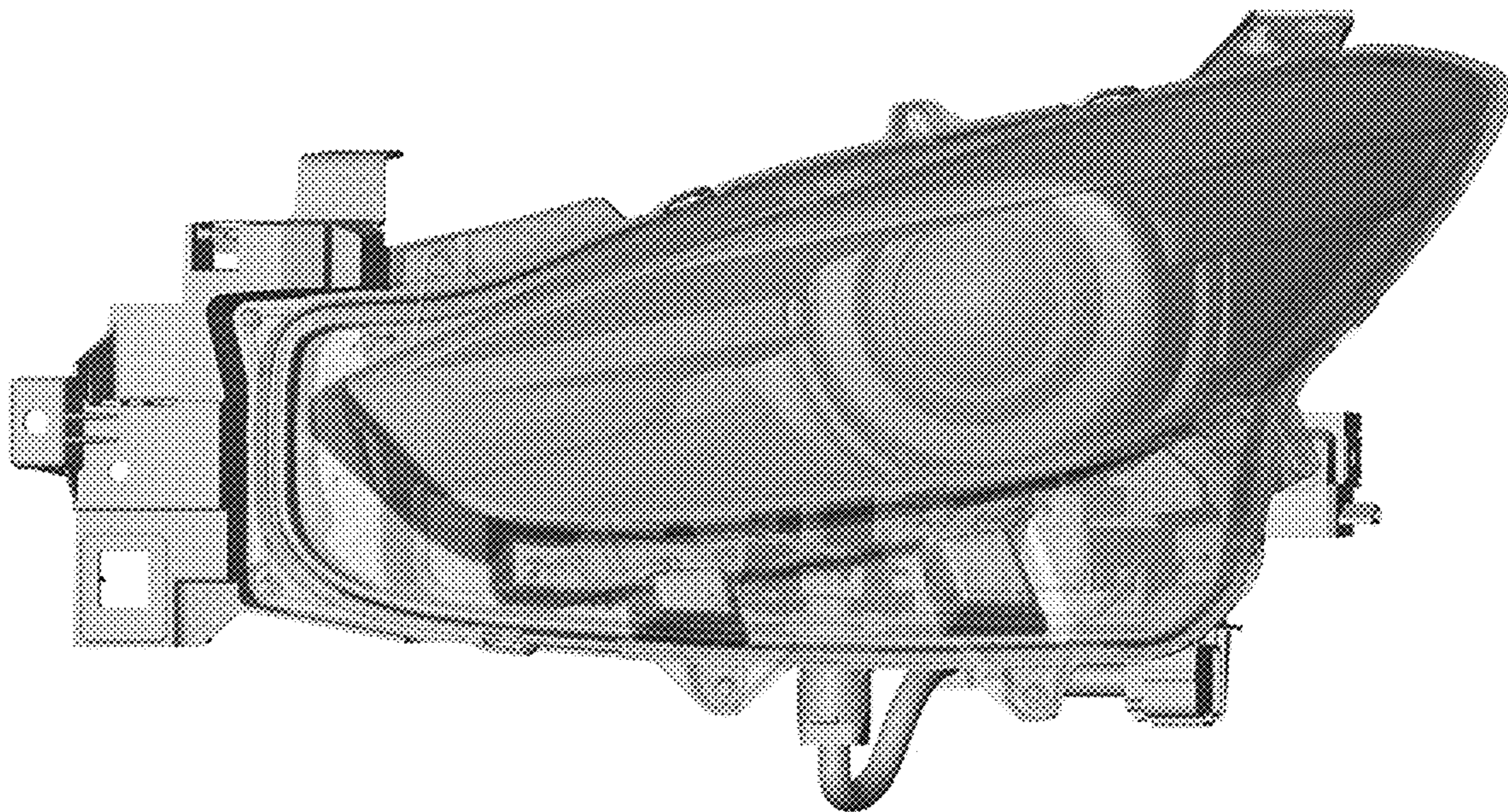
Primary Examiner — Marcus Jackson
(74) *Attorney, Agent, or Firm* — Stuebaker & Brackett PC

- (57) **CLAIM**
The ornamental design for a headlight for a motor vehicle, as shown and described.

DESCRIPTION

FIG. 1 is a first perspective view of a headlight for a motor vehicle;
FIG. 2 is a second perspective view thereof;
FIG. 3 is a front view thereof;
FIG. 4 is a rear view thereof;
FIG. 5 is a left side view thereof;
FIG. 6 is a right side view thereof;
FIG. 7 is a top view thereof; and,
FIG. 8 is a bottom view thereof.

1 Claim, 8 Drawing Sheets



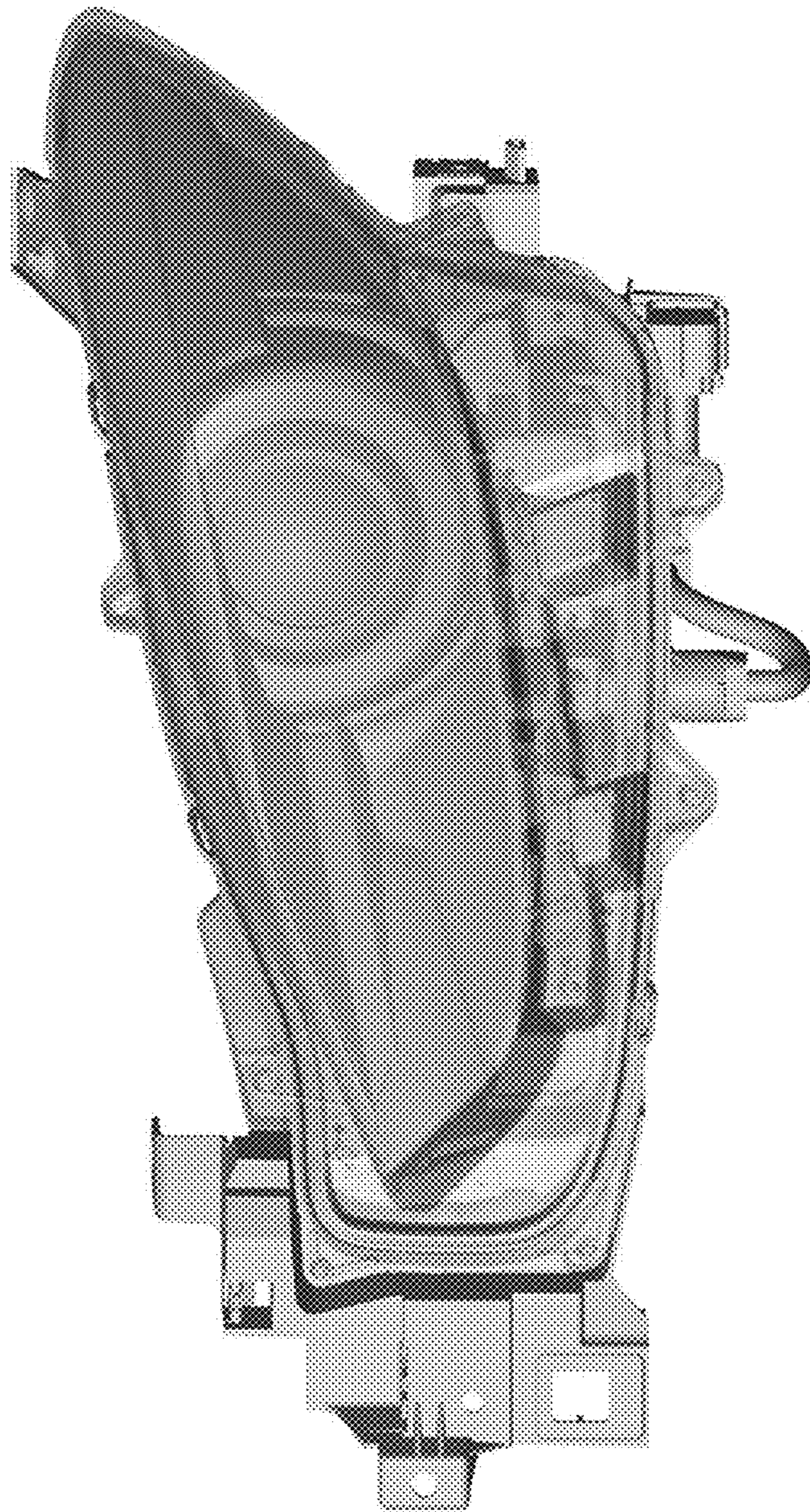


FIG.1

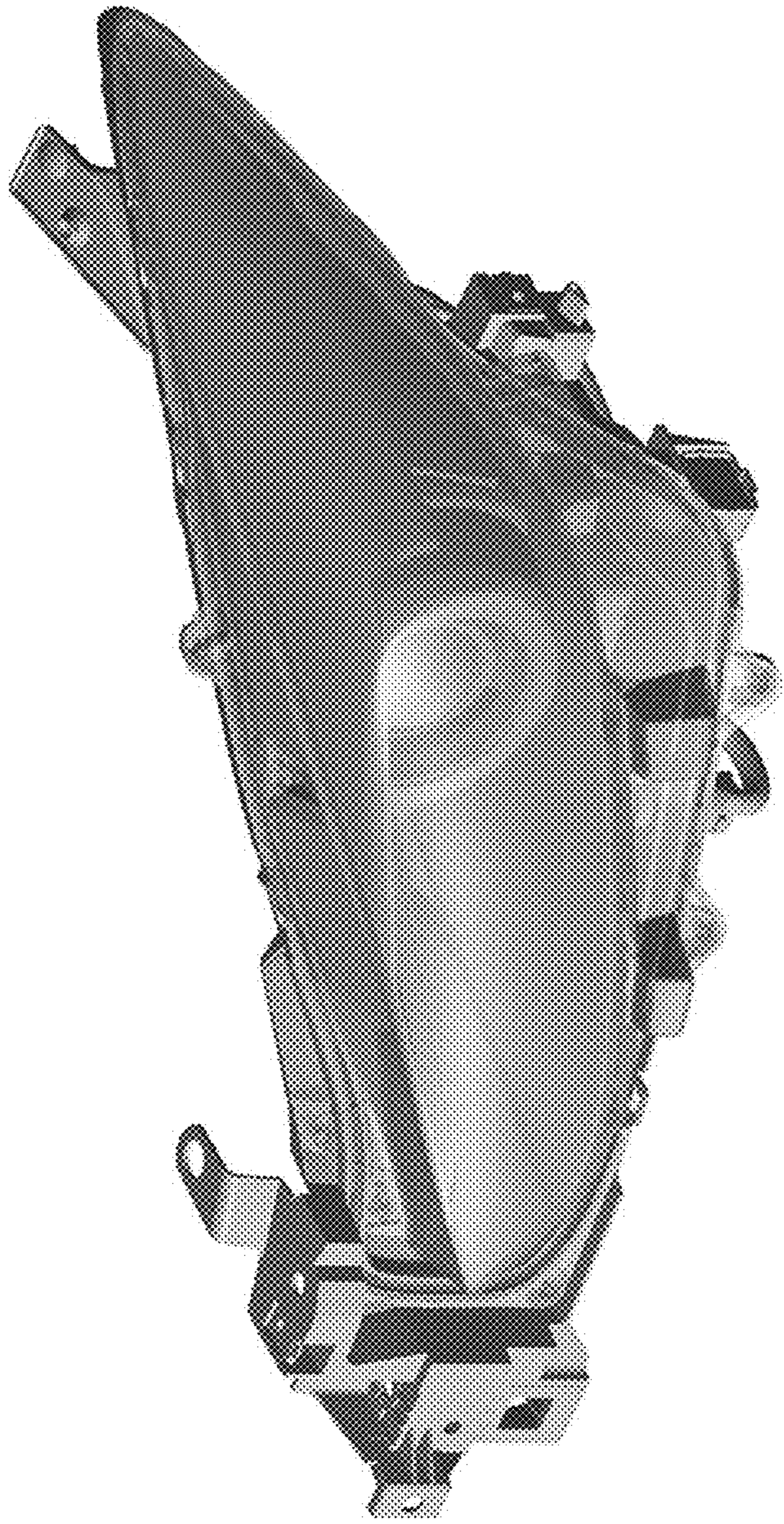


FIG. 2

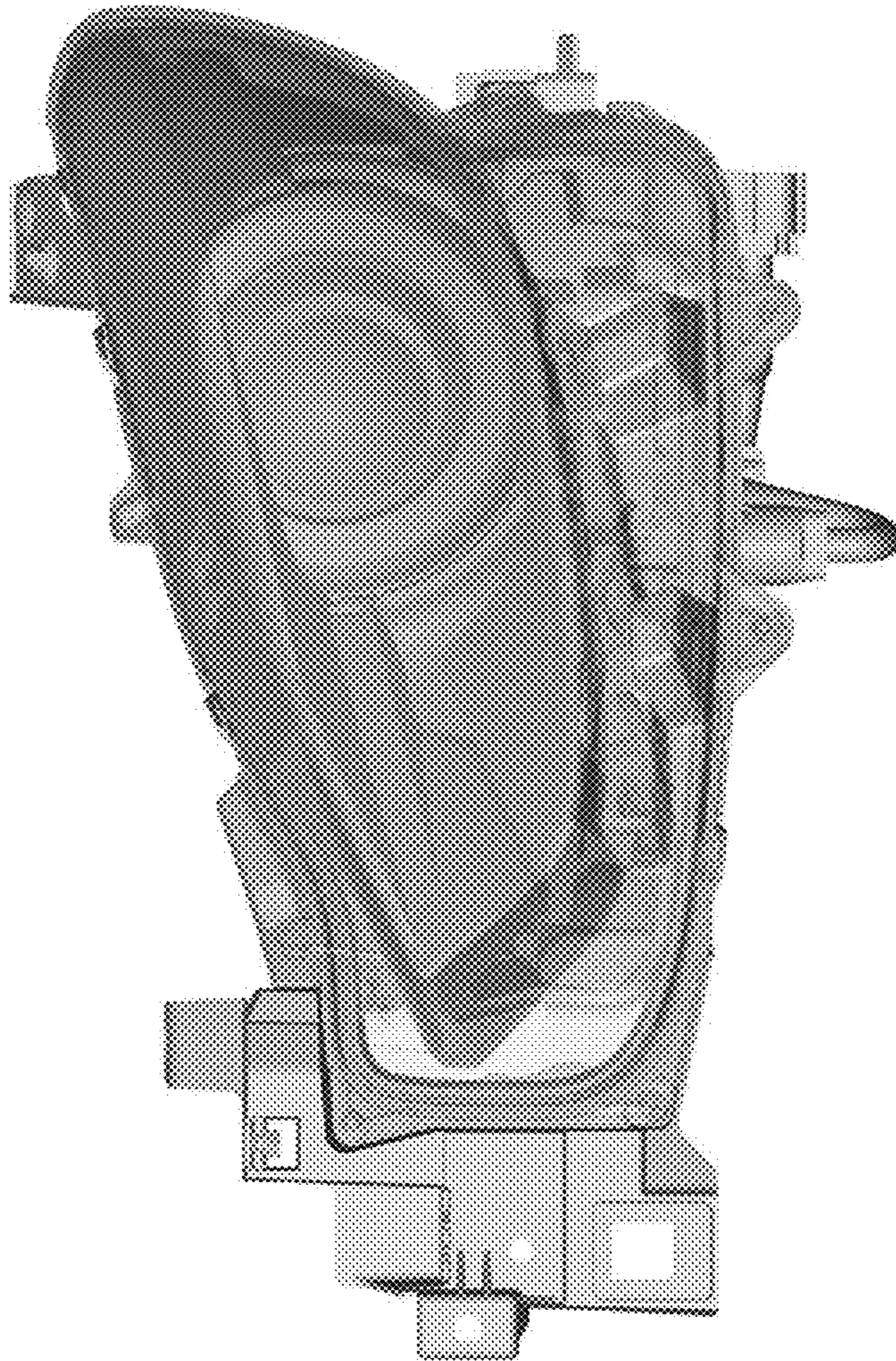


FIG. 3

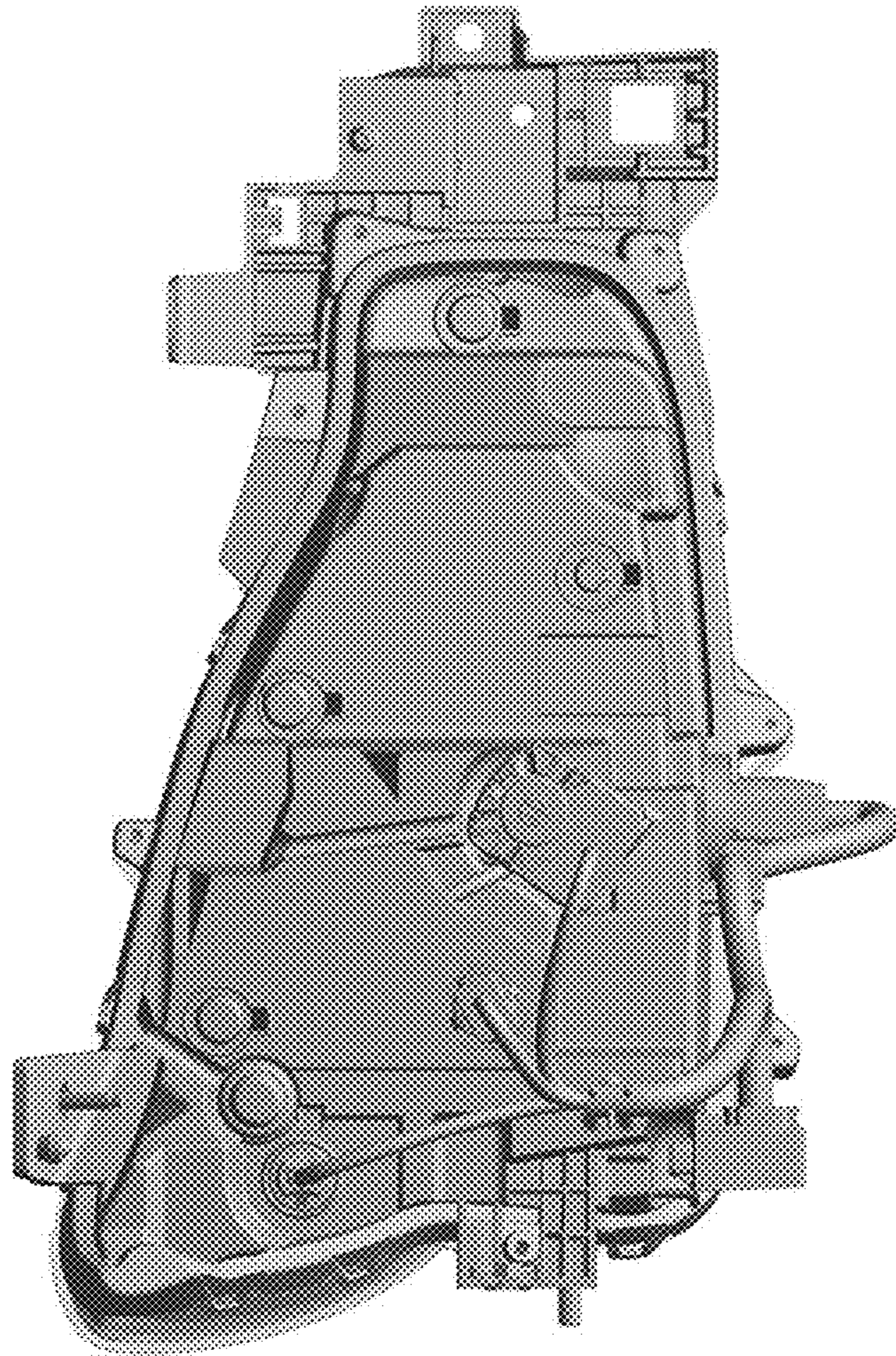


FIG. 4

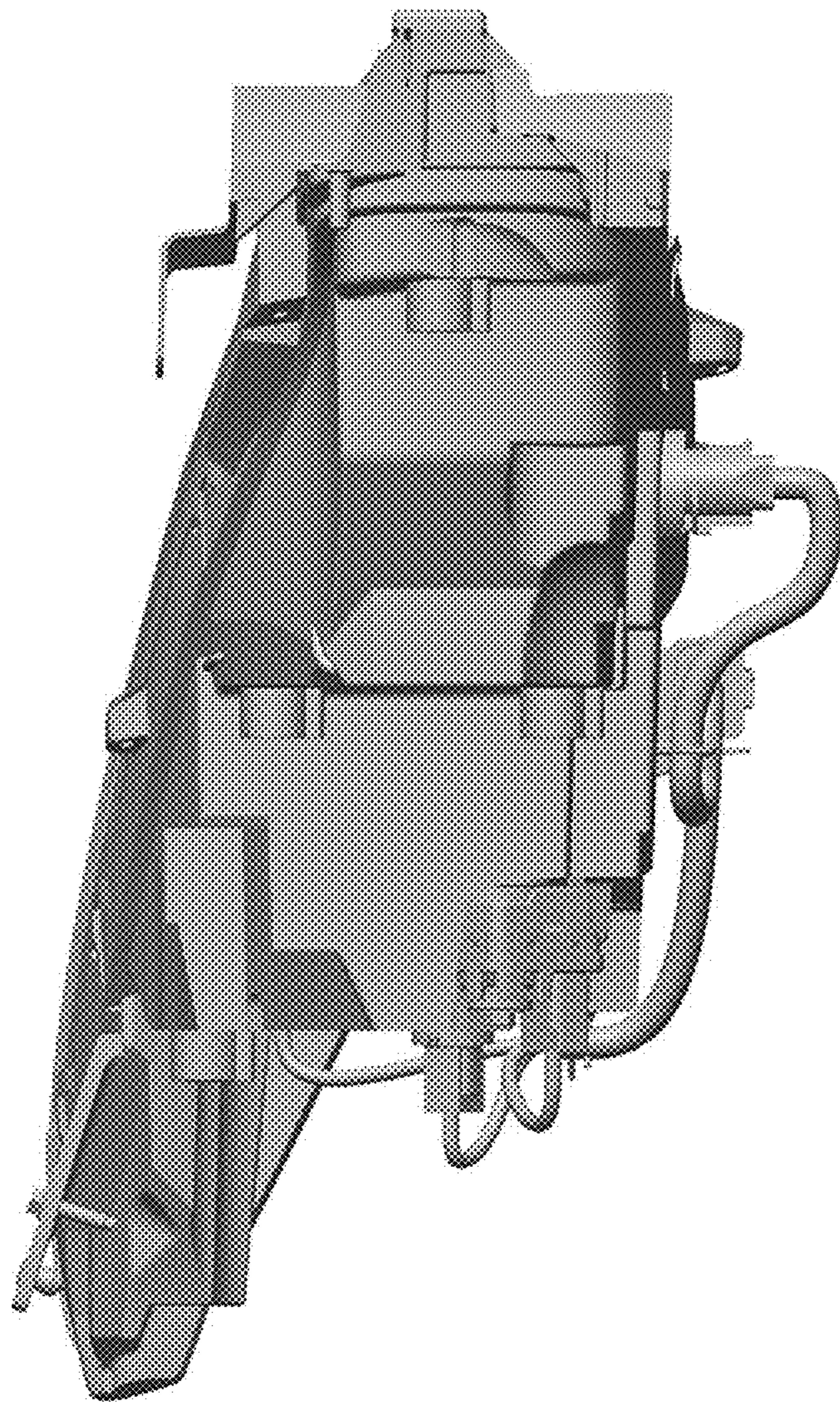


FIG. 5

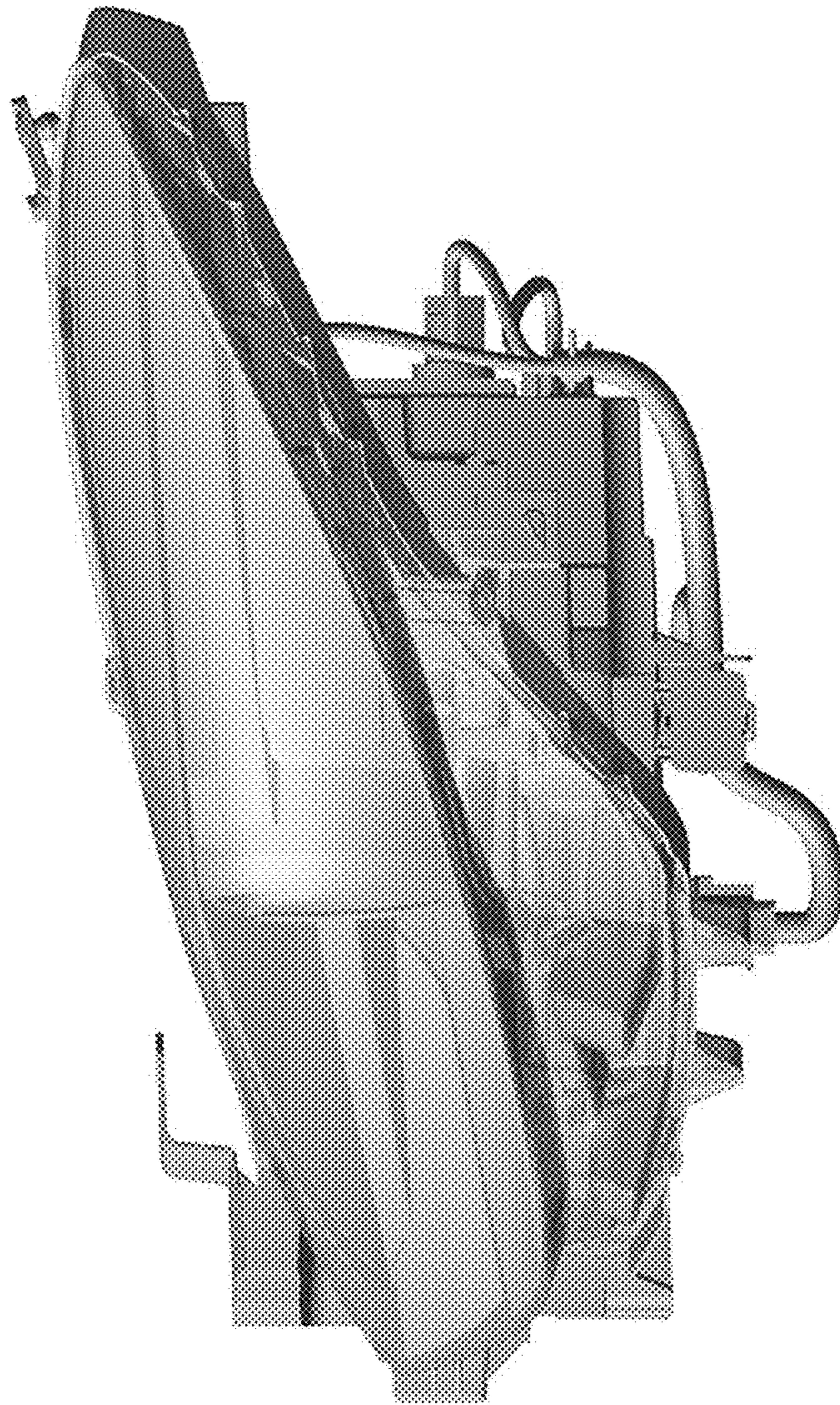


FIG. 6

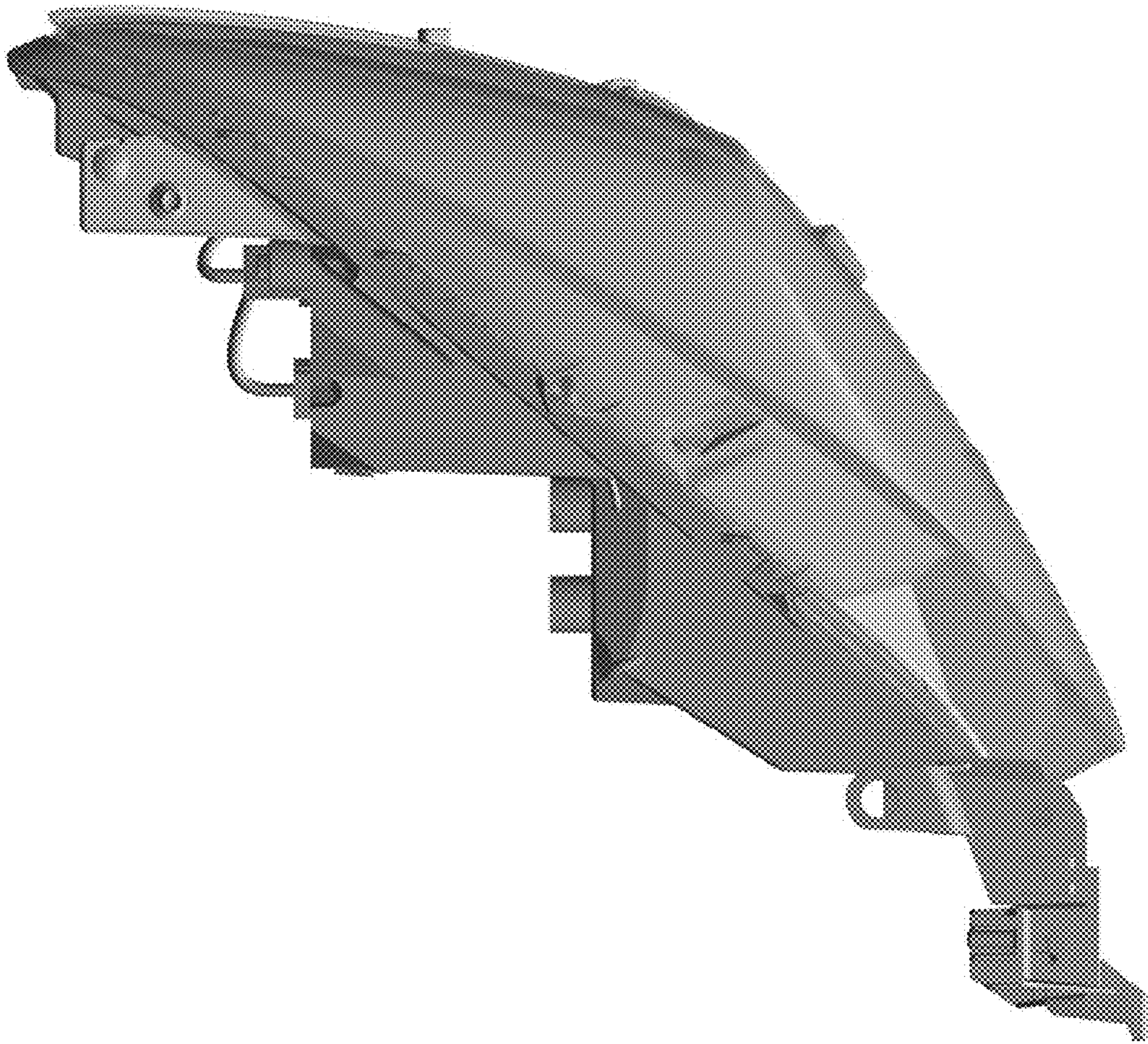


FIG. 7

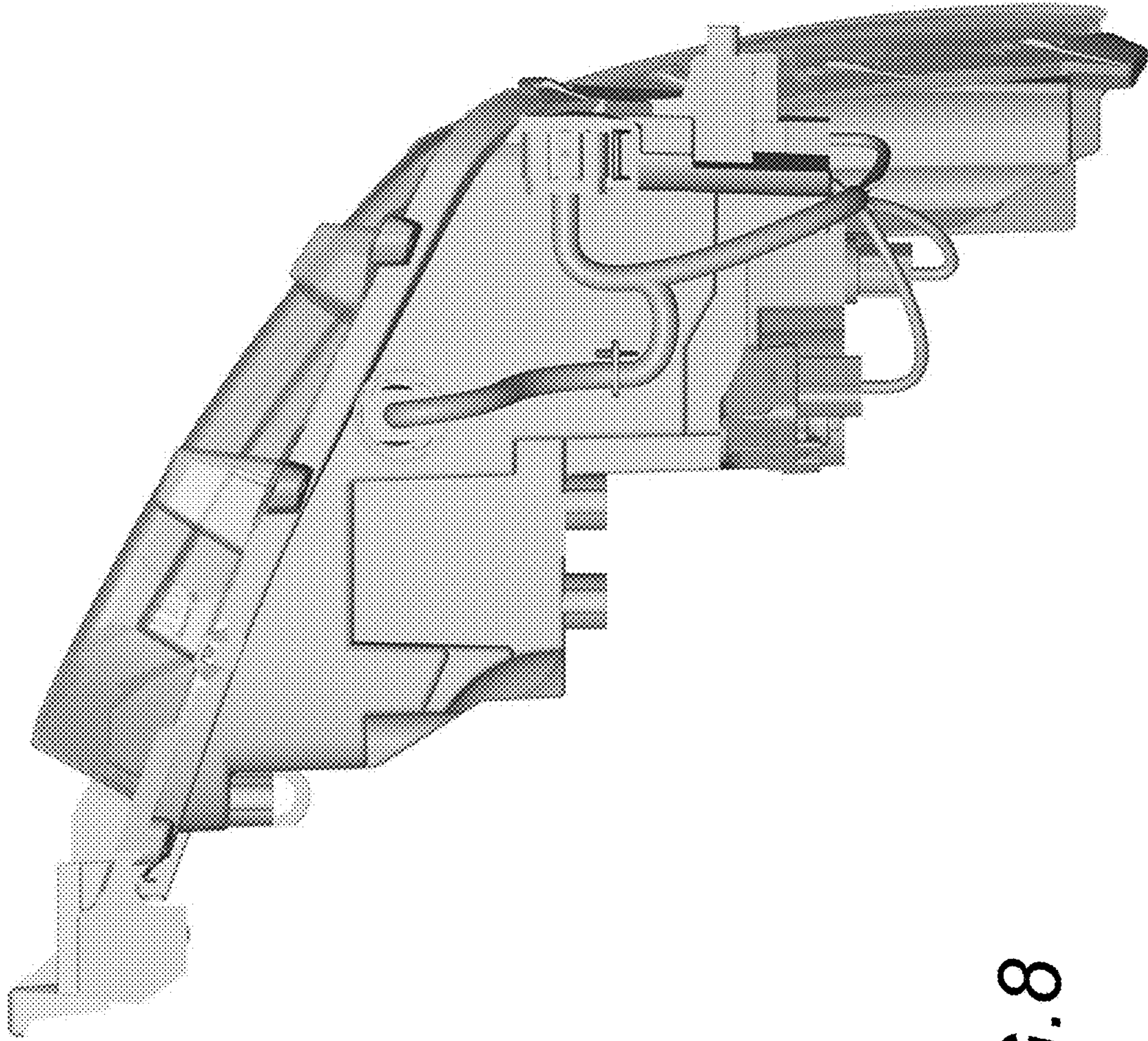


FIG. 8