



US00D783868S

(12) **United States Design Patent** (10) **Patent No.:** **US D783,868 S**  
**Munakata et al.** (45) **Date of Patent:** **\*\* Apr. 11, 2017**

(54) **HEADLAMP FOR AUTOMOBILE**

(57) **CLAIM**

(71) Applicant: **Nissan Motor Co., Ltd.**, Yokohama, Kanagawa (JP)

The ornamental design for a headlamp for an automobile, as shown and described.

(72) Inventors: **Kenichi Munakata**, Tokyo (JP); **Jaesang Lee**, Tokyo (JP)

**DESCRIPTION**

(73) Assignee: **Nissan Motor Co., Ltd.**, Yokohama (JP)

FIG. 1 is an outside elevational view of a headlamp for an automobile in accordance with a first embodiment of our new design;

(\*\*) Term: **15 Years**

FIG. 2 is an inside elevational view of the headlamp in accordance with the first embodiment of our new design of FIG. 1;

(21) Appl. No.: **29/534,362**

FIG. 3 is a top plan view of the headlamp in accordance with the first embodiment of our new design of FIGS. 1 and 2; FIG. 4 is a bottom plan view of the headlamp in accordance with the first embodiment of our new design of FIGS. 1 to 3;

(22) Filed: **Jul. 28, 2015**

(30) **Foreign Application Priority Data**

FIG. 5 is a front side elevational view of the headlamp in accordance with the first embodiment of our new design of FIGS. 1 to 4;

Jan. 30, 2015 (JP) ..... 2015-001763

(51) **LOC (10) Cl.** ..... **26-07**

FIG. 6 is a rear side elevational view of the headlamp in accordance with the first embodiment of our new design of FIGS. 1 to 5; and,

(52) **U.S. Cl.**

USPC ..... **D26/28**

FIG. 7 is a front side perspective view of the headlamp in accordance with the first embodiment of our new design of FIGS. 1 to 6.

(58) **Field of Classification Search**

USPC ..... D26/28-36; 362/459-468, 475-478, 362/485-487

The headlamp is configured to be mounted to an automobile. The mounting structure and support structure of the headlamp, shown in broken lines in FIGS. 1 to 7, form no part of the claimed design since the mounting structure and support structure are hidden when the headlamp is mounted to the automobile.

(Continued)

(56) **References Cited**

**U.S. PATENT DOCUMENTS**

D593,233 S \* 5/2009 Bai ..... D26/28  
D686,356 S \* 7/2013 Morgenstern ..... D26/28

(Continued)

**FOREIGN PATENT DOCUMENTS**

JP D1389690 S 6/2010  
JP D1389696 S 6/2010

(Continued)

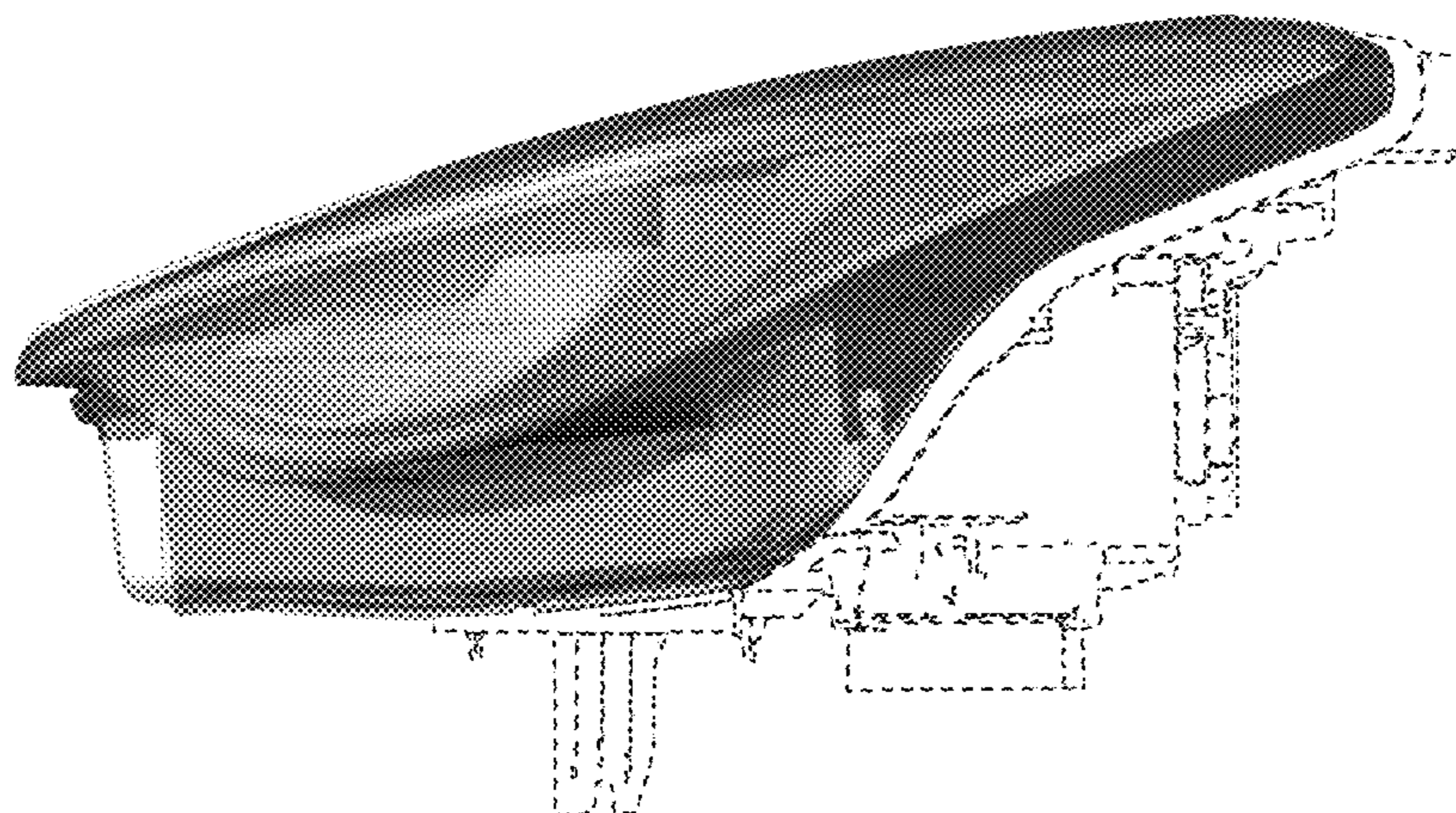
*Primary Examiner* — Angela J Lee

(74) *Attorney, Agent, or Firm* — Global IP Counselors, LLP

In addition, the appearance of the rear side structures and inside structures of the headlamp as shown in broken lines in FIGS. 1 to 7 is for purpose of illustrating the boundaries of the exterior surface of the outside of the headlamp, and forms no part of the claimed design.

A second embodiment of our new design is identical to the first embodiment. The second embodiment of our new design includes the mirror image of the headlamp shown in FIGS. 1 to 7.

**1 Claim, 7 Drawing Sheets**



(58) **Field of Classification Search**  
 CPC ..... F21S 48/00; F21S 48/10; F21S 48/115;  
 F21S 48/225; F21S 48/1233; F21S  
 48/1266; F21S 48/1388; F21S 48/2268;  
 F21V 21/04  
 See application file for complete search history.

(56) **References Cited**  
 U.S. PATENT DOCUMENTS

D695,936 S 12/2013 Ishizuka et al.  
 D707,861 S \* 6/2014 Lai ..... D26/28  
 D708,375 S 7/2014 Endo  
 D721,196 S \* 1/2015 Lai ..... D26/28  
 D728,135 S \* 4/2015 Ha ..... D26/28  
 D740,978 S \* 10/2015 Lee ..... D26/28  
 D749,763 S \* 2/2016 Sa ..... D26/28  
 D752,254 S \* 3/2016 Futschik ..... D26/28  
 D756,005 S \* 5/2016 Handt ..... D26/28  
 D757,970 S \* 5/2016 Binder ..... D26/28  
 D760,413 S \* 6/2016 Shim ..... D26/28  
 D761,981 S \* 7/2016 Tsutamori ..... D26/28

FOREIGN PATENT DOCUMENTS

JP D1417997 S 7/2011  
 JP D1419135 S 7/2011  
 JP D1432515 S 1/2012  
 JP D1438612 S 4/2012

JP D1415836 S 6/2012  
 JP D1417805 S 6/2012  
 JP D1450875 S 9/2012  
 JP D1456869 S 12/2012  
 JP D1457889 S 12/2012  
 JP D1461043 S 2/2013  
 JP D1465078 S 3/2013  
 JP D1474590 S 7/2013  
 JP D1480726 S 9/2013  
 JP D1474969 S 12/2013  
 JP D1485751 S 12/2013  
 JP D1486678 S 12/2013  
 JP D1491430 S 3/2014  
 JP D1417807 S 6/2014  
 JP D1498531 S 6/2014  
 JP D1447611 S 7/2014  
 JP D1474963 S 7/2014  
 JP D1475369 S 7/2014  
 JP D1503981 S 8/2014  
 JP D1505368 S 8/2014  
 JP D1511272 S 11/2014  
 JP D1511433 S 11/2014  
 JP D1518109 S 2/2015  
 JP D1518111 S 2/2015  
 JP D1518266 S 2/2015  
 JP D1518517 S 3/2015  
 JP D1518620 S 3/2015  
 JP D1501252 S 6/2015  
 JP D1527822 S 6/2015

\* cited by examiner



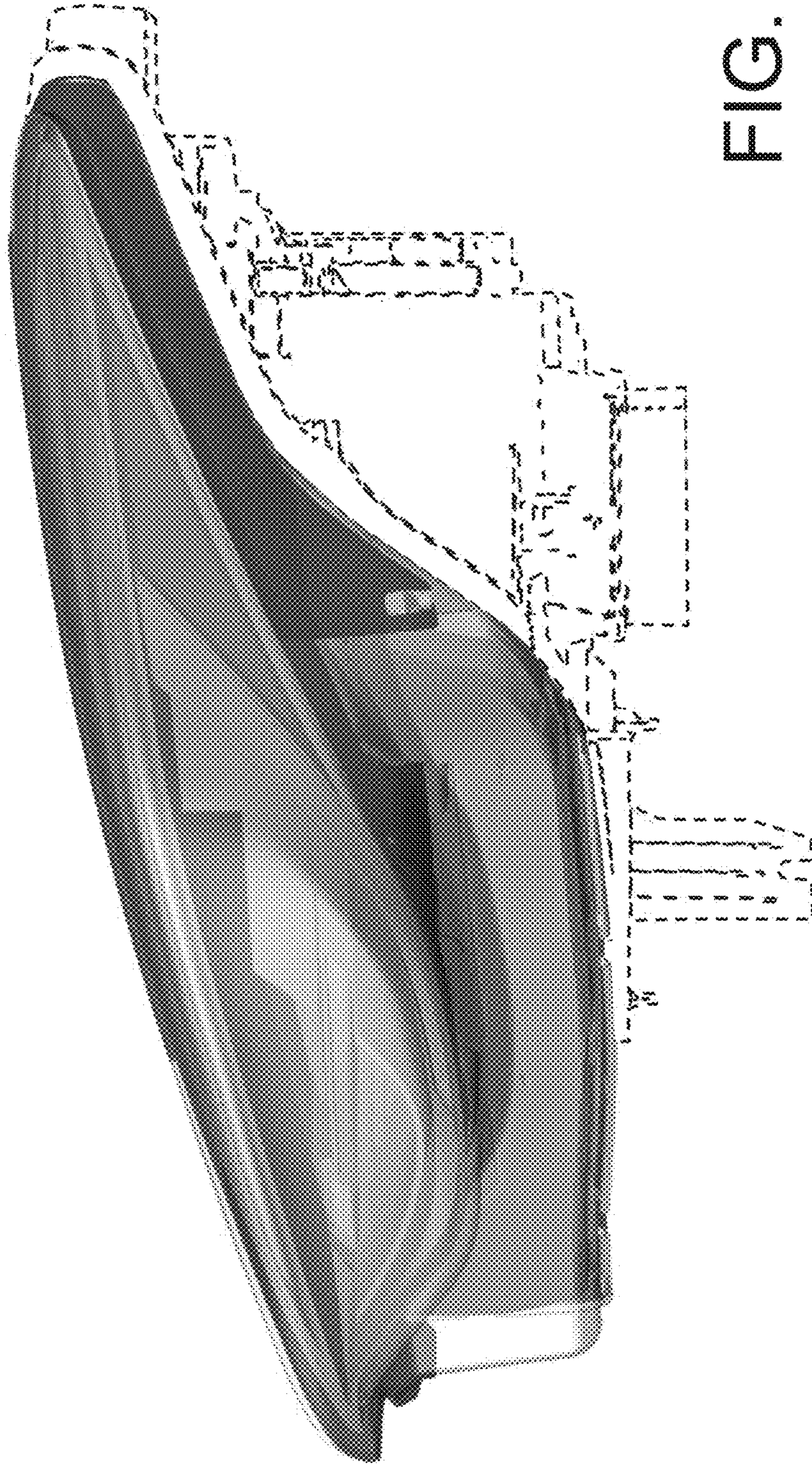


FIG. 1



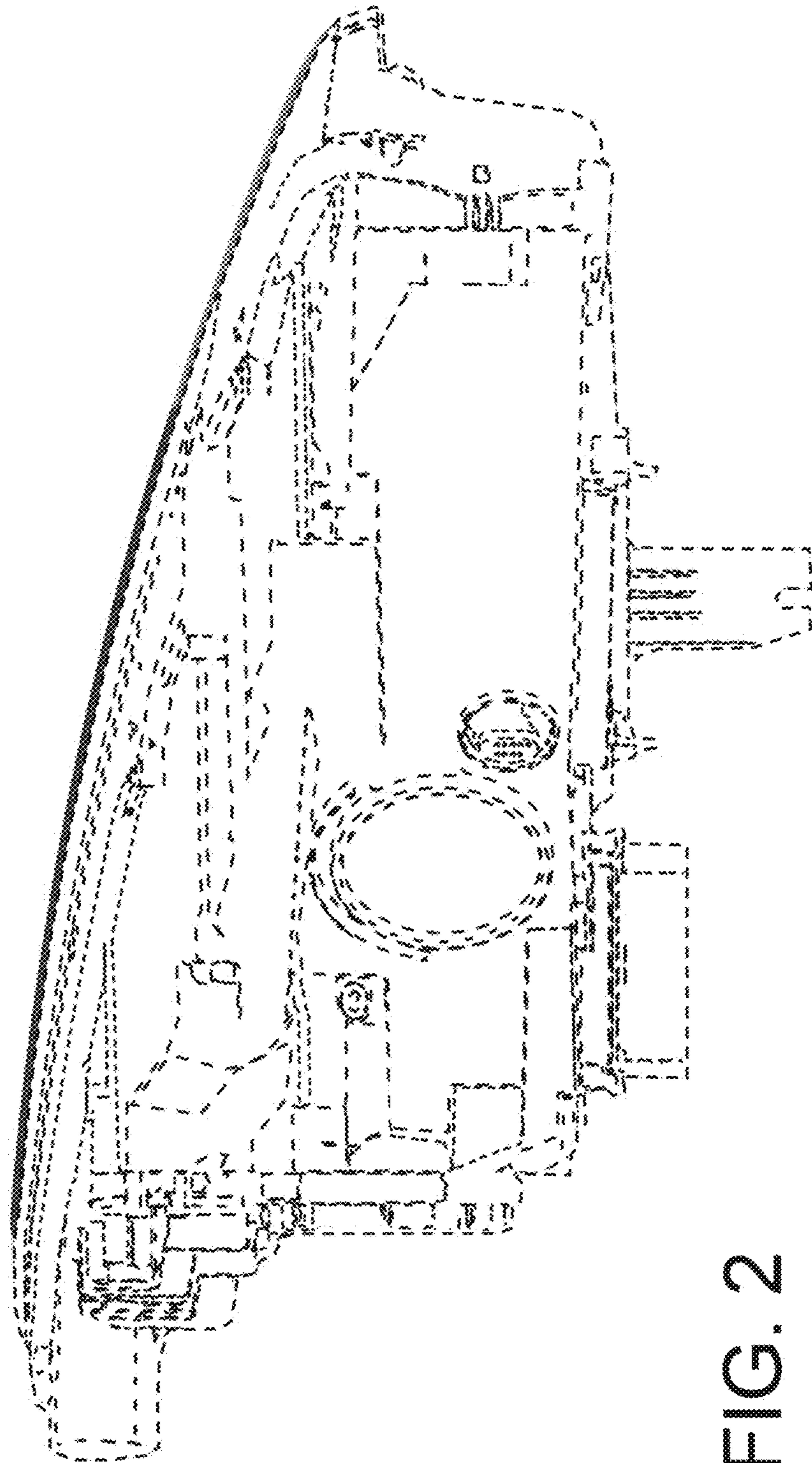


FIG. 2



FIG. 3



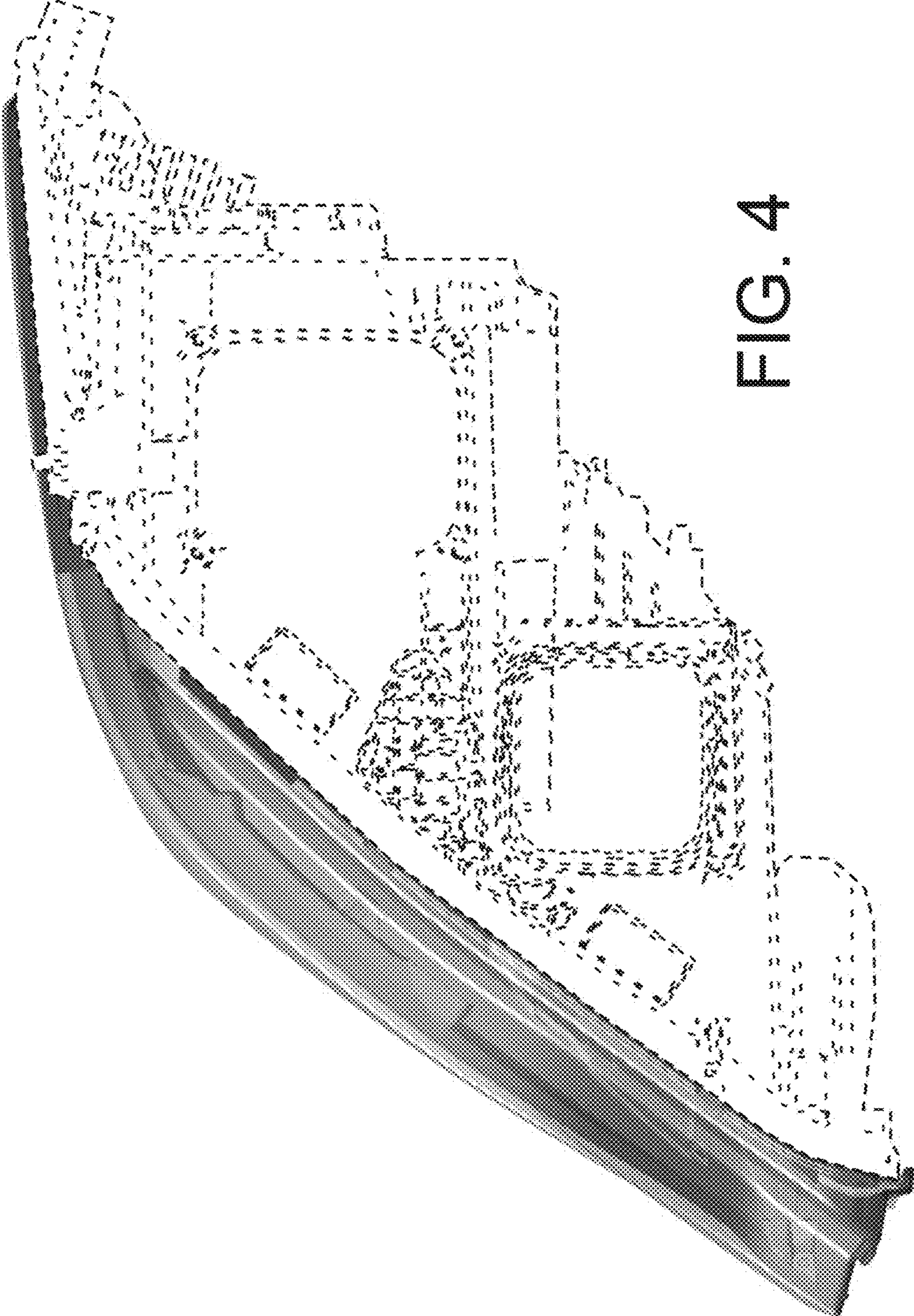


FIG. 4



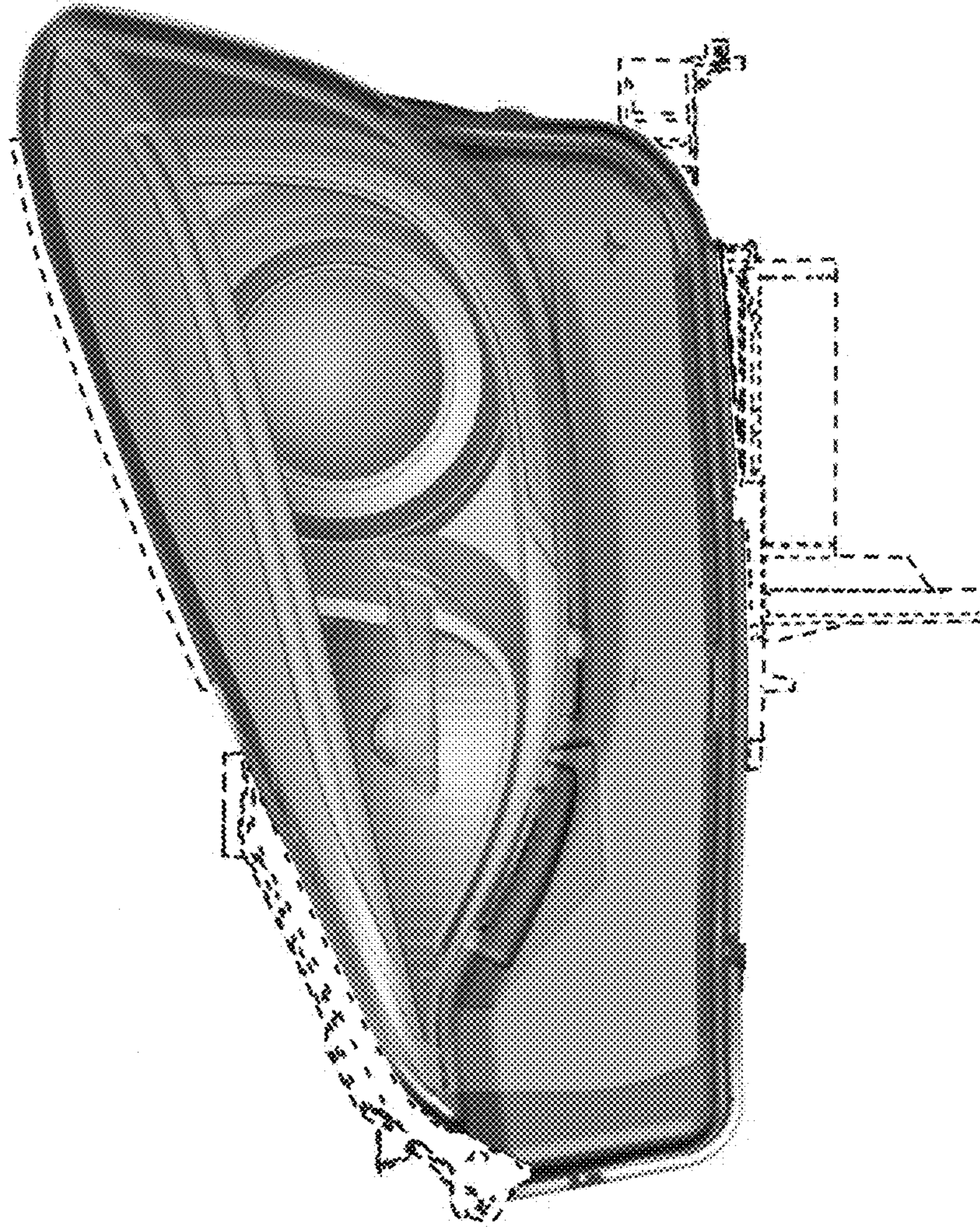


FIG. 5

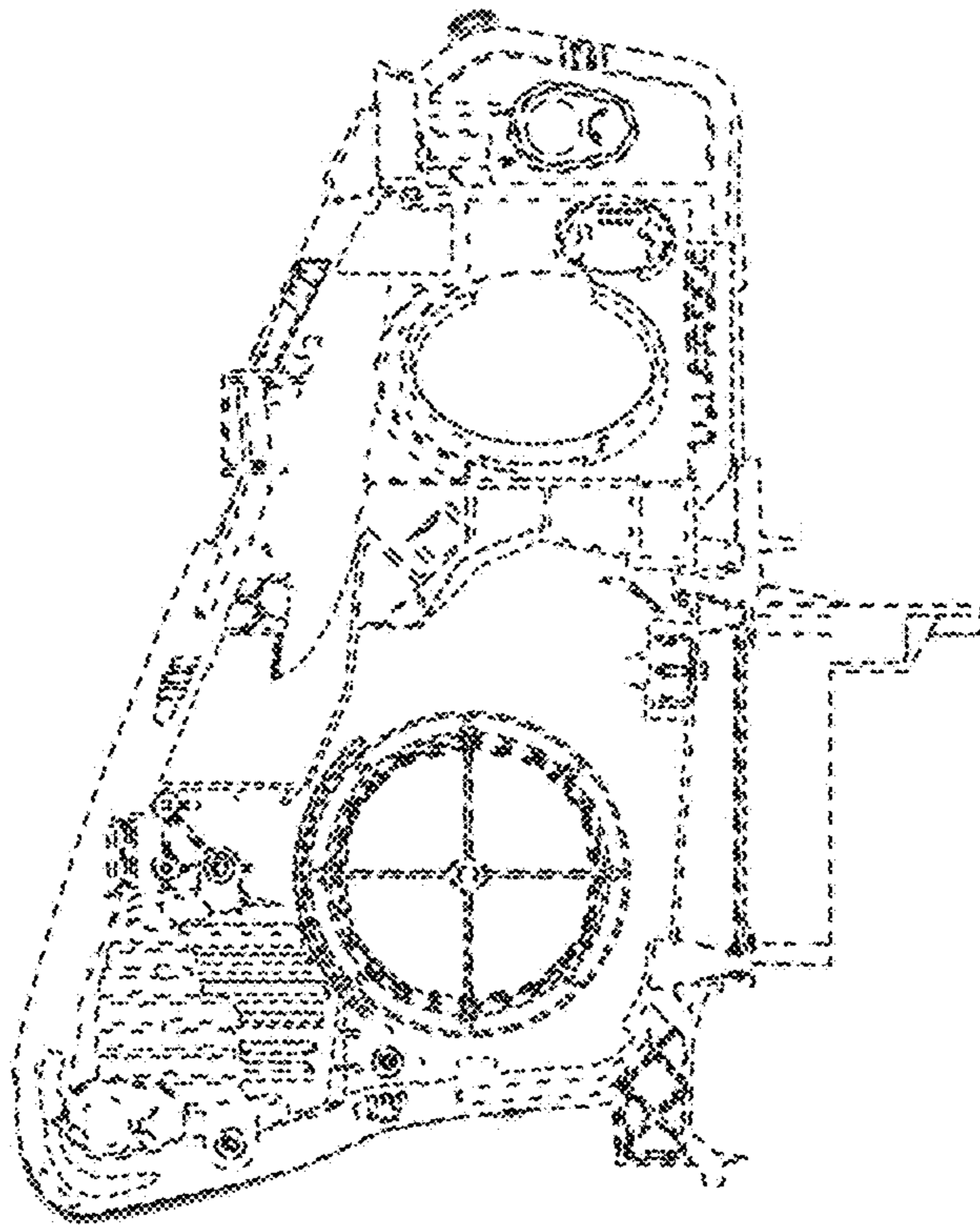


FIG. 6



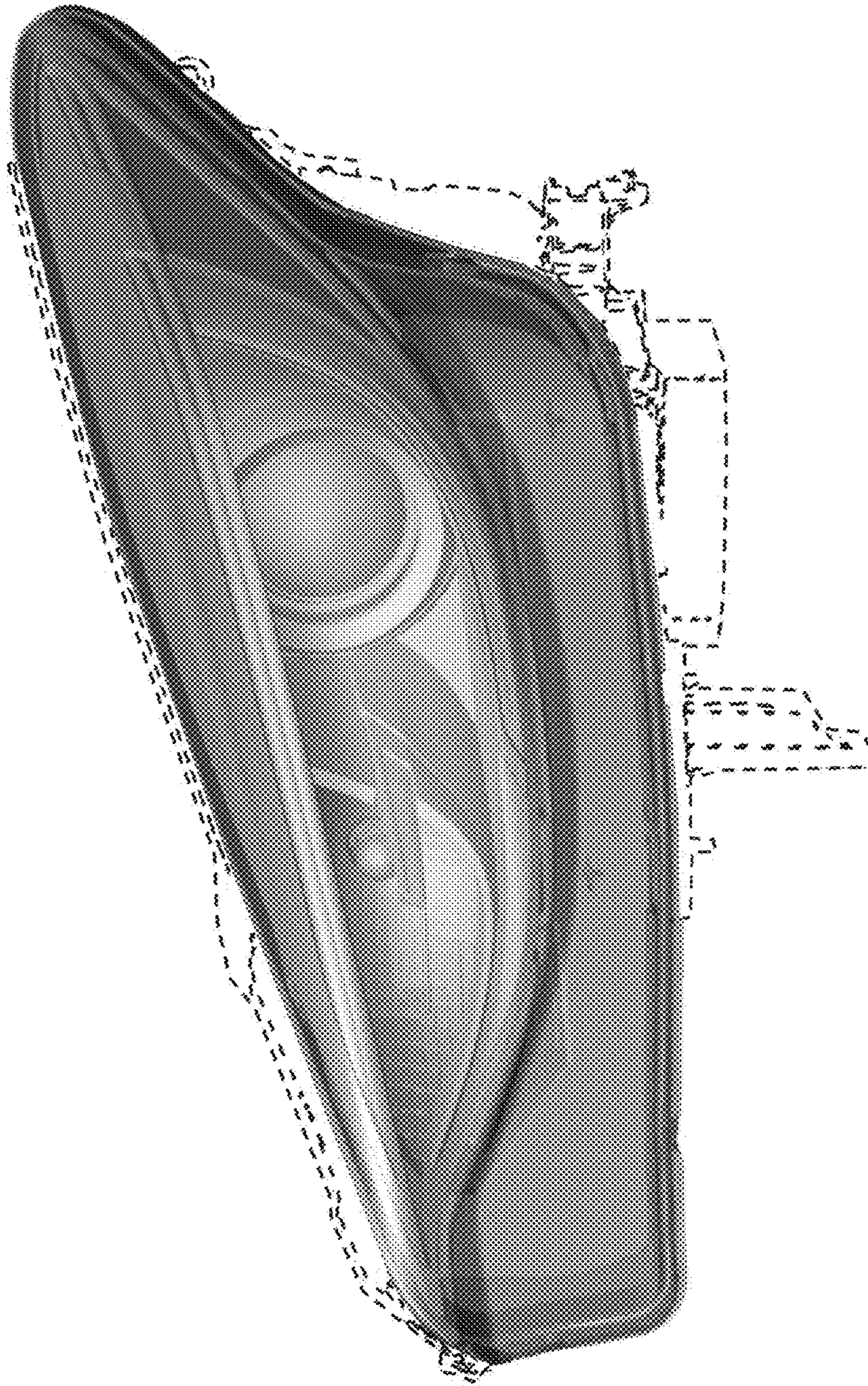


FIG. 7