



US00D783867S

(12) **United States Design Patent** (10) **Patent No.:** **US D783,867 S**
Munakata et al. (45) **Date of Patent:** **** Apr. 11, 2017**

(54) **HEADLAMP FOR AUTOMOBILE**

(57) **CLAIM**

(71) Applicant: **Nissan Motor Co., Ltd.**, Yokohama, Kanagawa (JP)

The ornamental design for a headlamp for an automobile, as shown and described.

(72) Inventors: **Kenichi Munakata**, Tokyo (JP);
Naoyuki Ohkoshi, Kanagawa (JP)

DESCRIPTION

(73) Assignee: **Nissan Motor Co., Ltd.**, Yokohama (JP)

FIG. 1 is an outside elevational view of a headlamp for an automobile in accordance with a first embodiment of our new design;

(**) Term: **15 Years**

FIG. 2 is an inside elevational view of the headlamp in accordance with the first embodiment of our new design of FIG. 1;

(21) Appl. No.: **29/534,360**

FIG. 3 is a top plan view of the headlamp in accordance with the first embodiment of our new design of FIGS. 1 and 2; FIG. 4 is a bottom plan view of the headlamp in accordance with the first embodiment of our new design of FIGS. 1 to 3;

(22) Filed: **Jul. 28, 2015**

FIG. 5 is a front side elevational view of the headlamp in accordance with the first embodiment of our new design of FIGS. 1 to 4;

(30) **Foreign Application Priority Data**

Jan. 30, 2015 (JP) 2015-001758

FIG. 6 is a rear side elevational view of the headlamp in accordance with the first embodiment of our new design of FIGS. 1 to 5; and,

(51) **LOC (10) Cl.** **26-07**

(52) **U.S. Cl.**
USPC **D26/28**

FIG. 7 is a front side perspective view of the headlamp in accordance with the first embodiment of our new design of FIGS. 1 to 6.

(58) **Field of Classification Search**
USPC D26/28-36; 362/459-468, 475-478, 362/485-487

(Continued)

The headlamp is configured to be mounted to an automobile. The mounting structure and support structure of the headlamp, shown in broken lines in FIGS. 1 to 7, form no part of the claimed design since the mounting structure and support structure are hidden when the headlamp is mounted to the automobile.

(56) **References Cited**

U.S. PATENT DOCUMENTS

D593,233 S * 5/2009 Bai D26/28
D686,356 S * 7/2013 Morgenstern D26/28

(Continued)

In addition, the appearance of the rear side structures and inside structures of the headlamp as shown in broken lines in FIGS. 1 to 7 is for purpose of illustrating the boundaries of the exterior surface of the outside of the headlamp, and forms no part of the claimed design.

FOREIGN PATENT DOCUMENTS

JP D1389690 S 6/2010
JP D1389696 S 6/2010

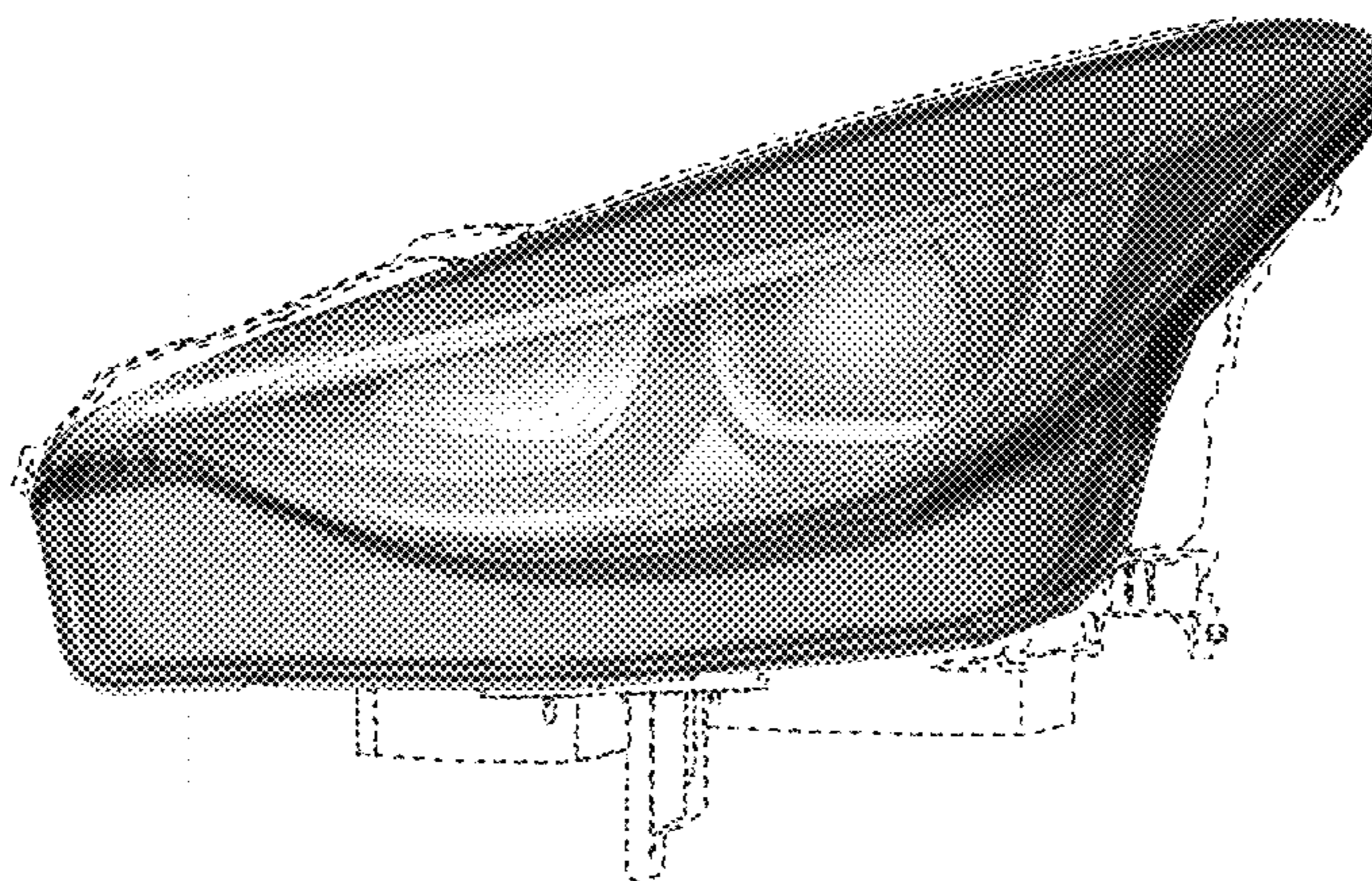
(Continued)

A second embodiment of our new design is identical to the first embodiment. The second embodiment of our new design includes the mirror image of the headlamp shown in FIGS. 1 to 7.

Primary Examiner — Angela J Lee

(74) *Attorney, Agent, or Firm* — Global IP Counselors, LLP

1 Claim, 7 Drawing Sheets



(58) **Field of Classification Search**
 CPC F21S 48/00; F21S 48/10; F21S 48/115;
 F21S 48/225; F21S 48/1233; F21S
 48/1266; F21S 48/1388; F21S 48/2268;
 F21V 21/04
 See application file for complete search history.

(56) **References Cited**
 U.S. PATENT DOCUMENTS

D695,936 S 12/2013 Ishizuka et al.
 D707,861 S * 6/2014 Lai D26/28
 D708,375 S 7/2014 Endo
 D721,196 S * 1/2015 Lai D26/28
 D728,135 S * 4/2015 Ha D26/28
 D740,978 S * 10/2015 Lee D26/28
 D749,763 S * 2/2016 Sa D26/28
 D752,254 S * 3/2016 Futschik D26/28
 D756,005 S * 5/2016 Handt D26/28
 D757,970 S * 5/2016 Binder D26/28
 D760,413 S * 6/2016 Shim D26/28
 D761,981 S * 7/2016 Tsutamori D26/28

FOREIGN PATENT DOCUMENTS

JP D1417997 S 7/2011
 JP D1419135 S 7/2011
 JP D1432515 S 1/2012
 JP D1438612 S 4/2012

JP D1415836 S 6/2012
 JP D1417805 S 6/2012
 JP D1450875 S 9/2012
 JP D1456869 S 12/2012
 JP D1457889 S 12/2012
 JP D1461043 S 2/2013
 JP D1465078 S 3/2013
 JP D1474590 S 7/2013
 JP D1480726 S 9/2013
 JP D1474969 S 12/2013
 JP D1485751 S 12/2013
 JP D1486678 S 12/2013
 JP D1491430 S 3/2014
 JP D1417807 S 6/2014
 JP D1498531 S 6/2014
 JP D1447611 S 7/2014
 JP D1474963 S 7/2014
 JP D1475369 S 7/2014
 JP D1503981 S 8/2014
 JP D1505368 S 8/2014
 JP D1511272 S 11/2014
 JP D1511433 S 11/2014
 JP D1518109 S 2/2015
 JP D1518111 S 2/2015
 JP D1518266 S 2/2015
 JP D1518517 S 3/2015
 JP D1518620 S 3/2015
 JP D1501252 S 6/2015
 JP D1527822 S 6/2015

* cited by examiner

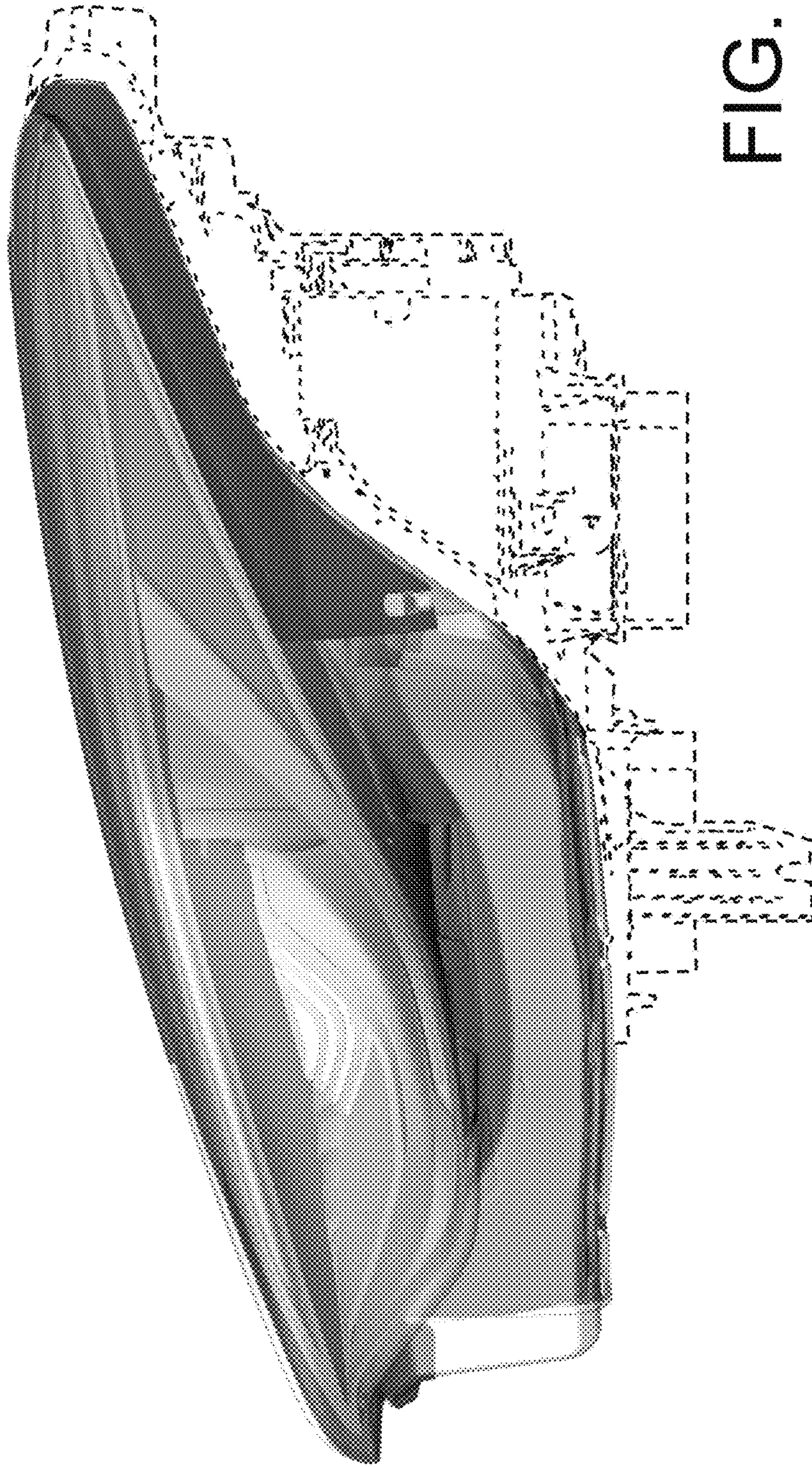


FIG. 1

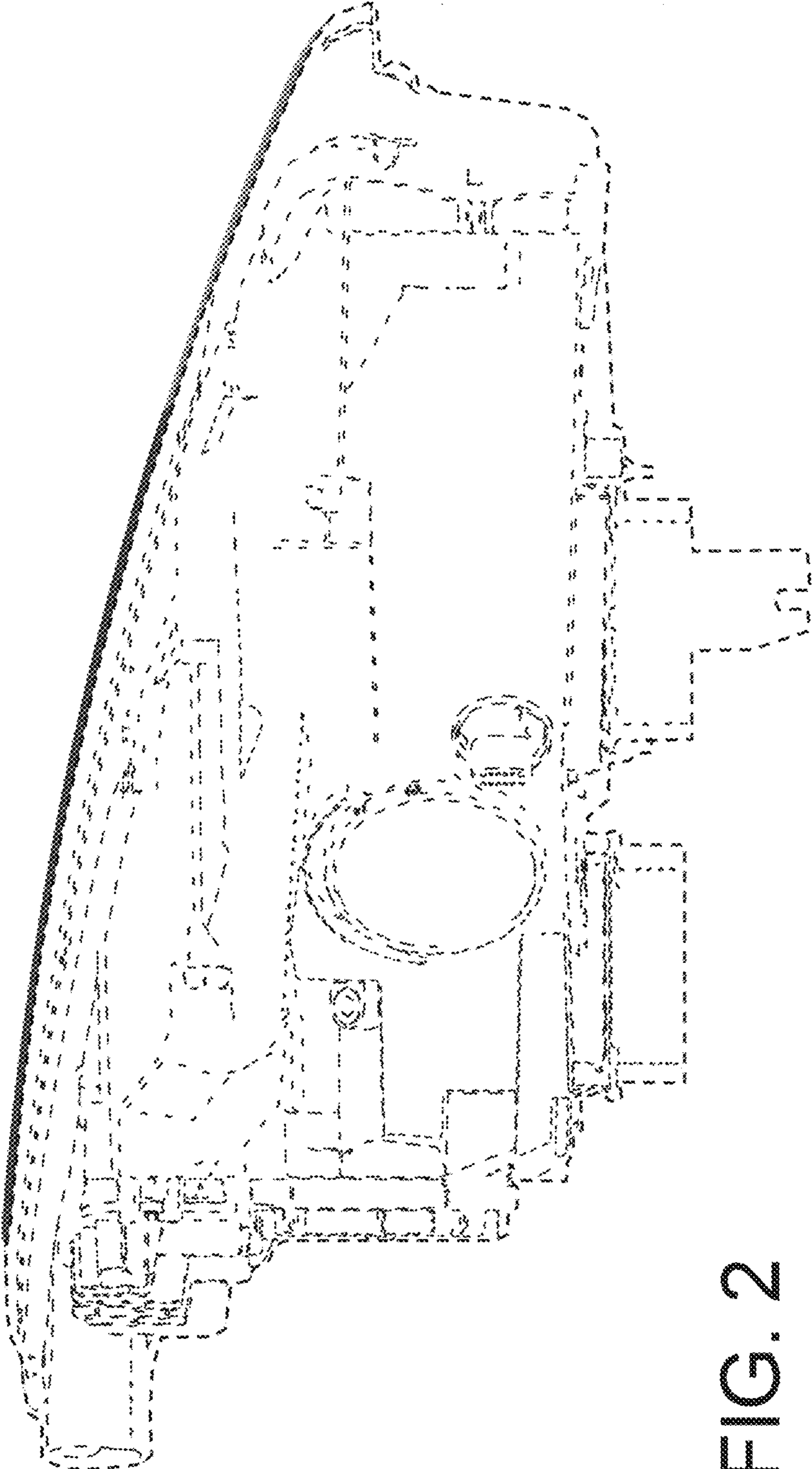


FIG. 2

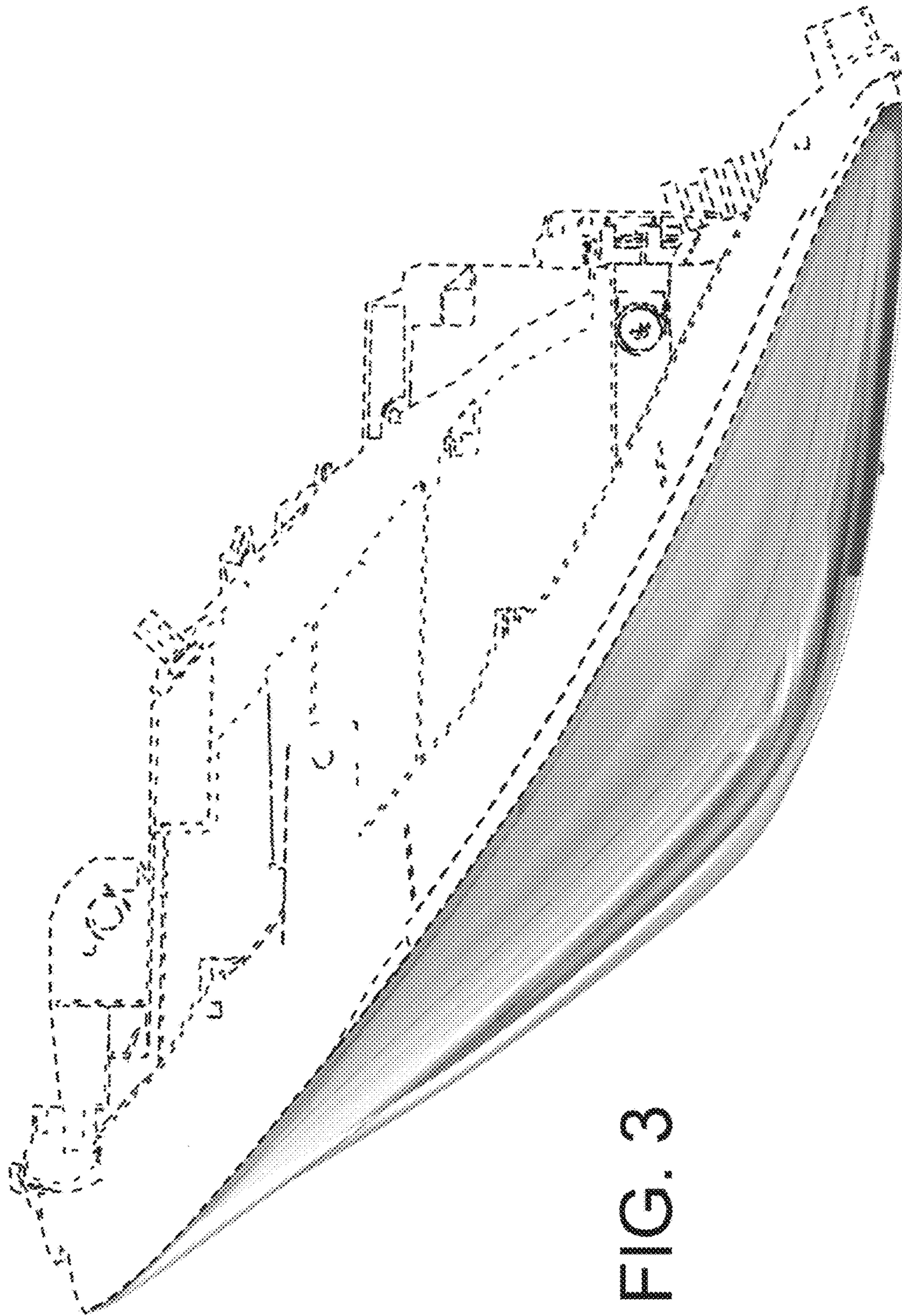


FIG. 3

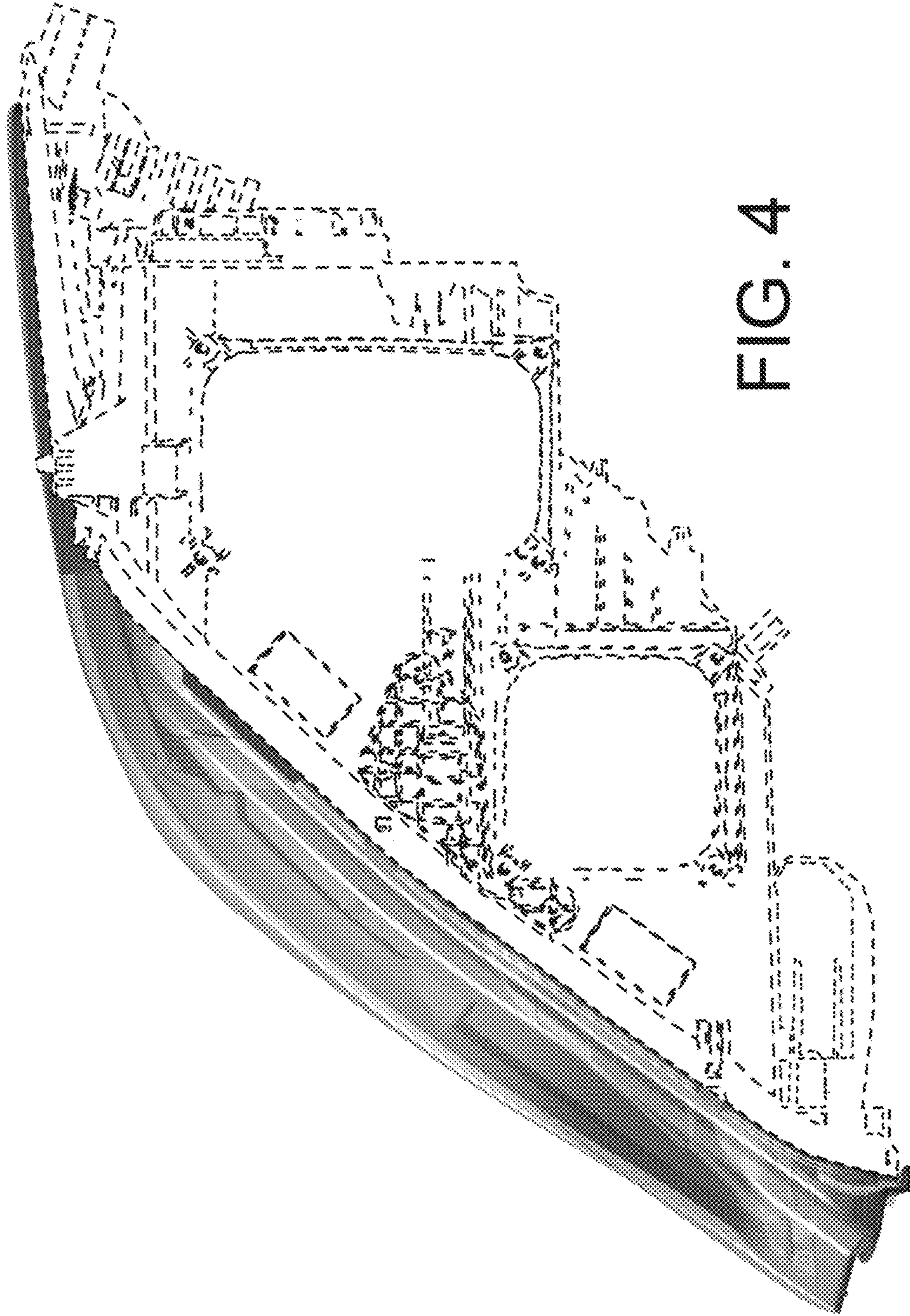


FIG. 4

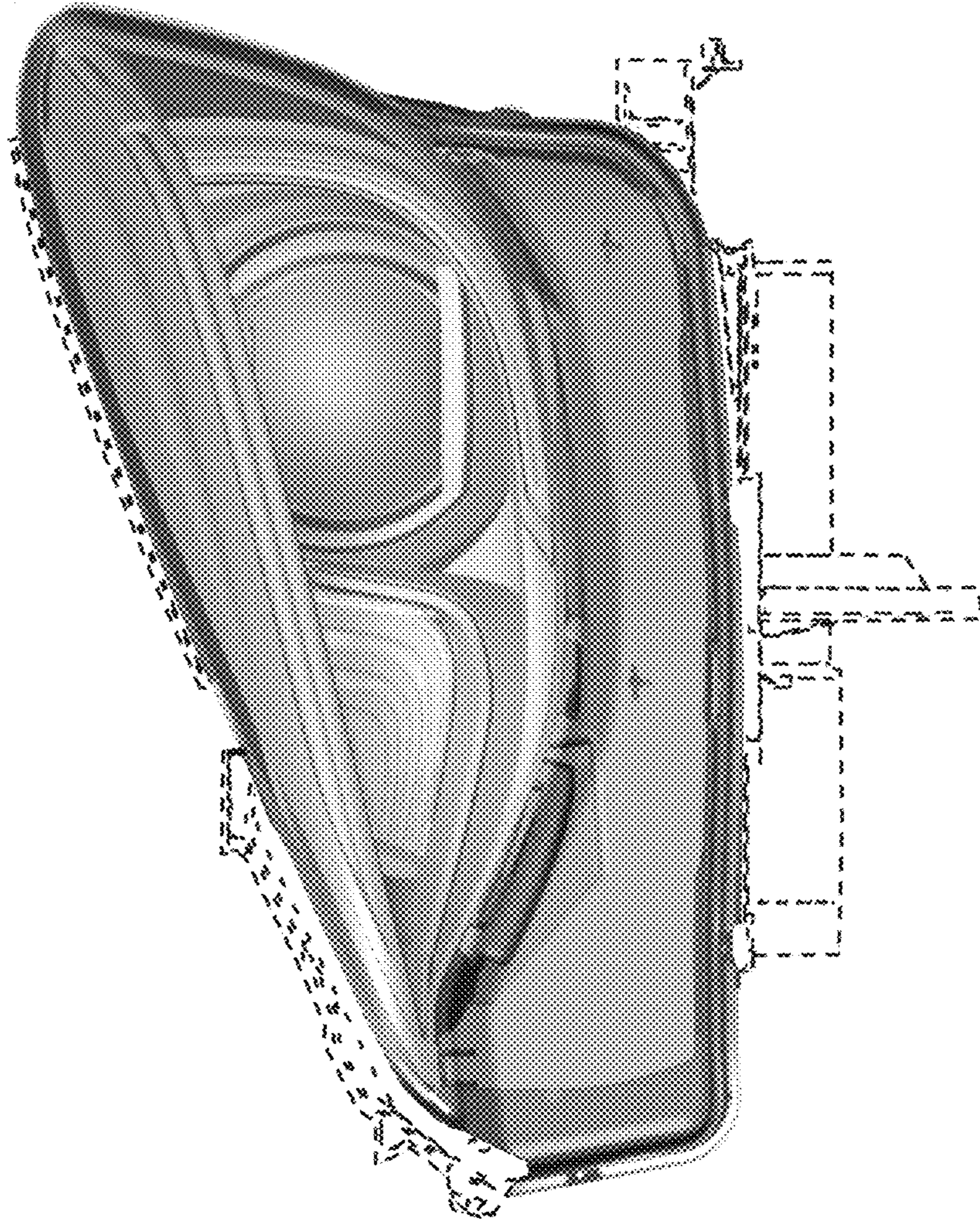


FIG. 5

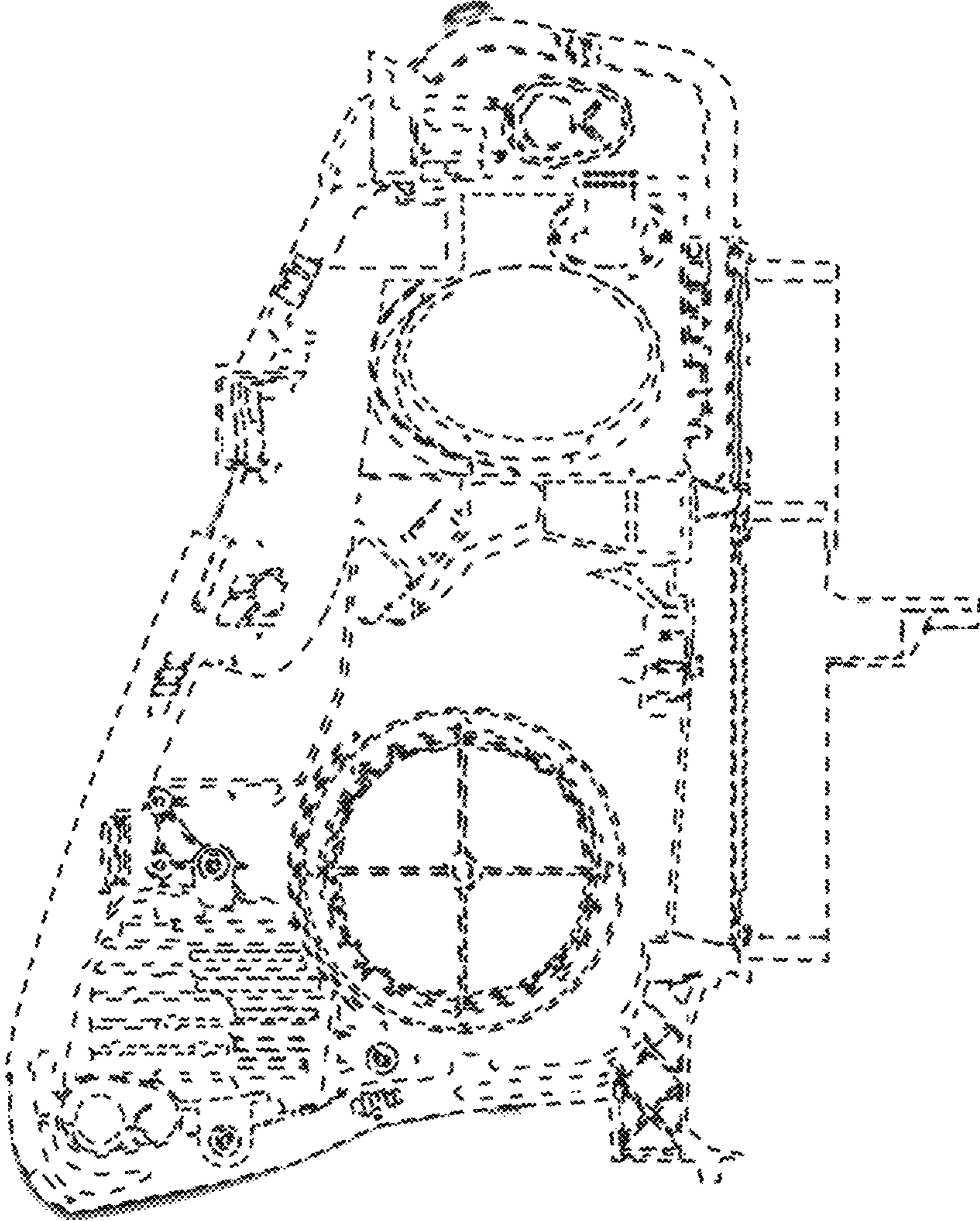


FIG. 6

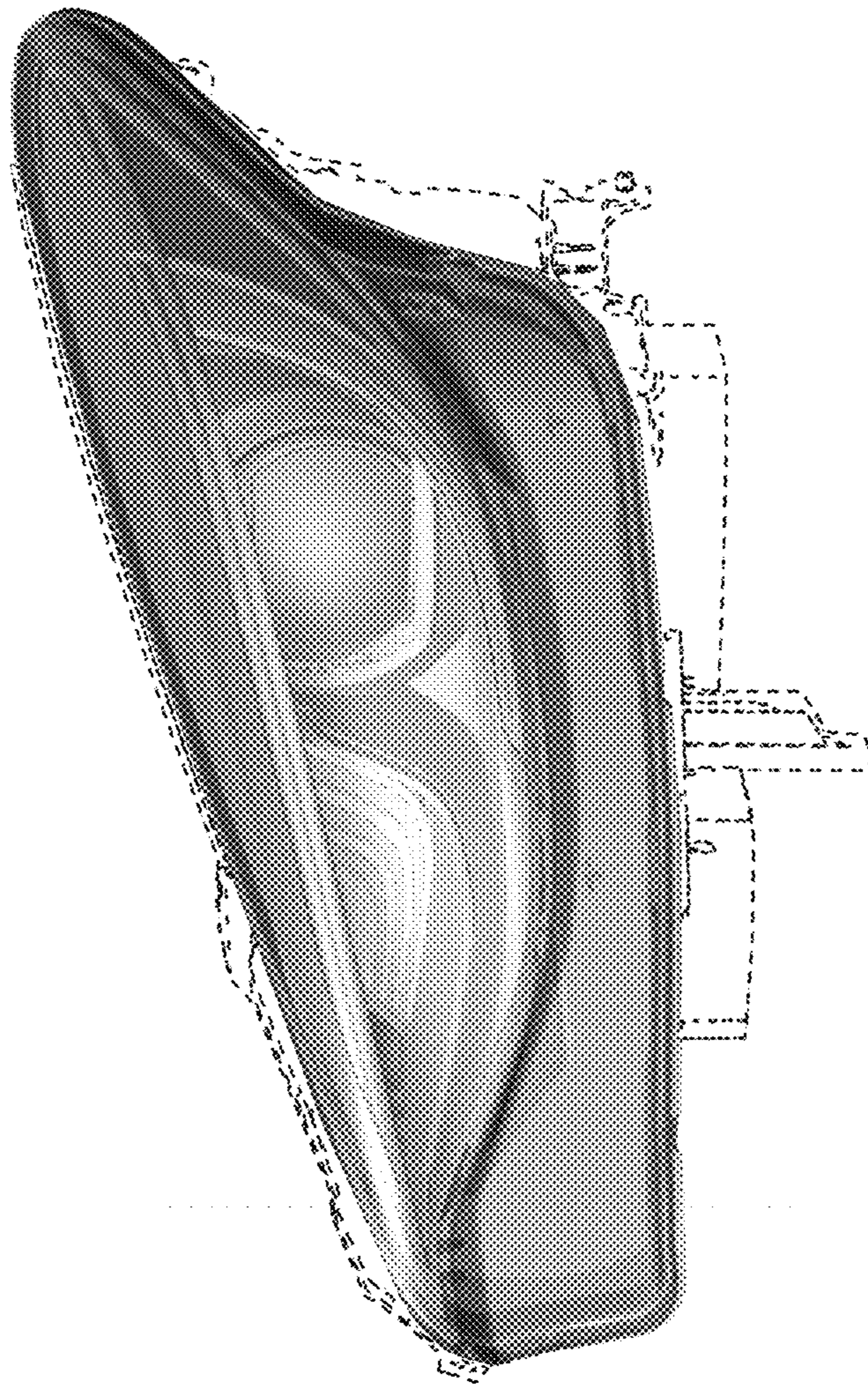


FIG. 7