



US00D783862S

(12) **United States Design Patent** (10) **Patent No.:** **US D783,862 S**
Von Langsdorff (45) **Date of Patent:** **** Apr. 11, 2017**

- (54) **PAVING STONE**
- (71) Applicant: **F. von Langsdorff Licensing Limited**,
Caledon (CA)
- (72) Inventor: **Harald Von Langsdorff**, Caledon (CA)
- (73) Assignee: **F. von Langsdorff Licensing Limited**,
Caledon (CA)
- (**) Term: **15 Years**
- (21) Appl. No.: **29/551,575**
- (22) Filed: **Jan. 14, 2016**

(56) **References Cited**

U.S. PATENT DOCUMENTS

D238,870 S *	2/1976	Appleton	D25/162
3,947,192 A	3/1976	Rosenberger	
D243,020 S	1/1977	Inderwick	
4,016,692 A	4/1977	Jordan et al.	
4,128,357 A	12/1978	Barth et al.	
D264,003 S	4/1982	Campbell	
4,354,773 A	10/1982	Noack	
4,583,341 A *	4/1986	Barth	E01C 5/00 52/314
D287,884 S *	1/1987	Schewiller	D25/113
4,671,039 A	6/1987	Hunt	
4,773,790 A *	9/1988	Hagenah	E01C 5/06 404/38

(Continued)

Related U.S. Application Data

- (60) Continuation of application No. 29/506,916, filed on Oct. 22, 2014, now Pat. No. Des. 759,843, which is a division of application No. 29/405,457, filed on Nov. 2, 2011, now abandoned, which is a continuation-in-part of application No. 29/378,872, filed on Nov. 10, 2010, now Pat. No. Des. 675,345, which is a continuation of application No. 29/328,747, filed on Dec. 1, 2008, now abandoned.
- (51) **LOC (10) Cl.** **25-01**
- (52) **U.S. Cl.**
USPC **D25/113**
- (58) **Field of Classification Search**
USPC D21/484-486, 490, 491, 493; D25/102, D25/112-118, 158, 163; 52/102, 574, 52/581, 582.1, 582.2, 588.1, 596-612; 404/27-42; 405/16, 284, 286
CPC ... E01C 5/00; E01C 5/005; E01C 5/06; E01C 9/004; E01C 2201/16
See application file for complete search history.

FOREIGN PATENT DOCUMENTS

CA	130858	10/2010
EM	000752019-0001	* 8/2007

(Continued)

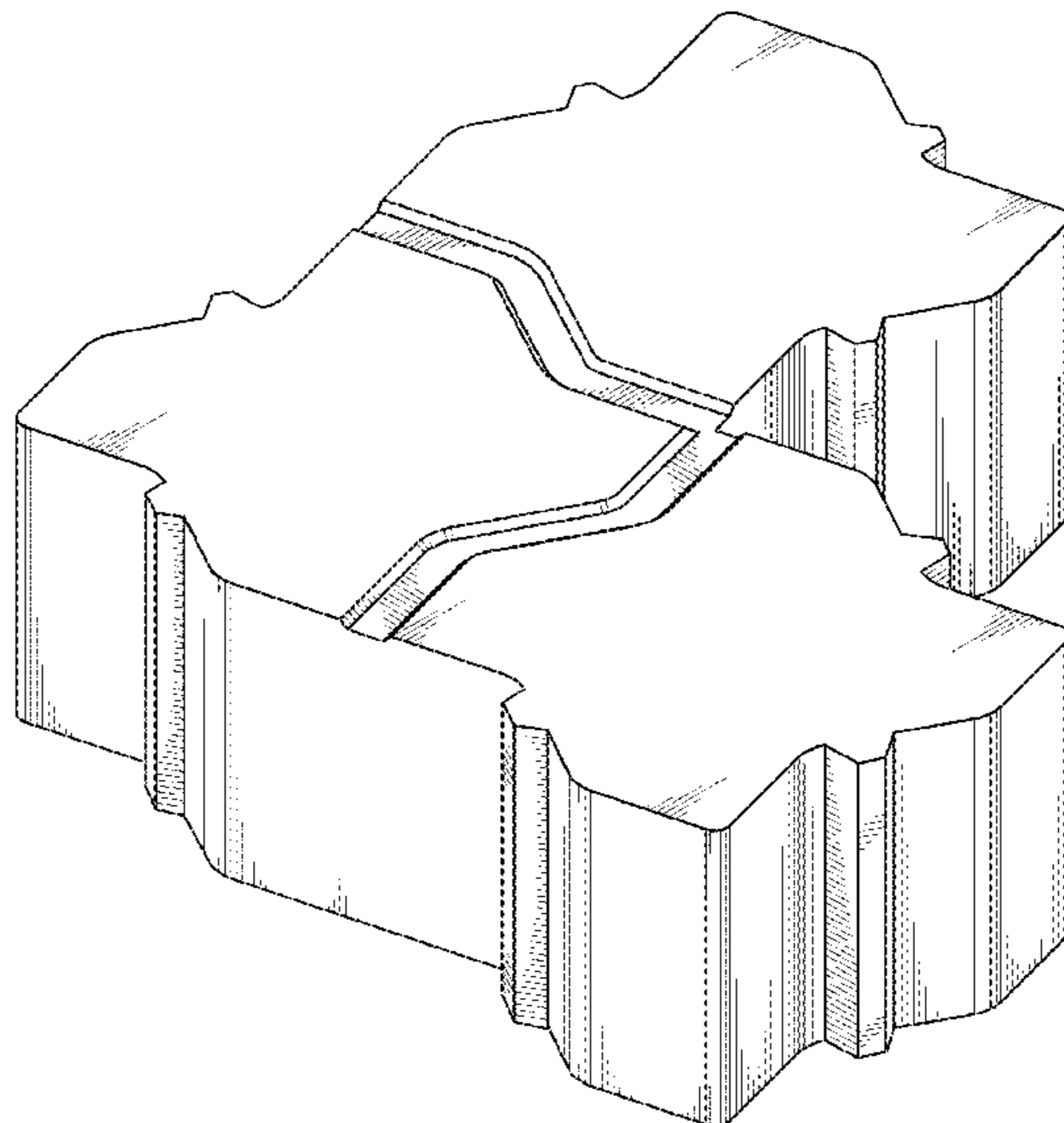
Primary Examiner — Susan Bennett Hattan
Assistant Examiner — Leanne Was-Englehart
 (74) *Attorney, Agent, or Firm* — Santosh K. Chari; Blake, Cassels & Graydon LLP

(57) **CLAIM**
 The ornamental design for a paving stone, substantially as shown and described.

DESCRIPTION

FIG. 1 is a top perspective view of a paving stone according to the design.
 FIG. 2 is a top view of the design of FIG. 1.
 FIG. 3 is a right side view of the design of FIG. 1, the left side view being identical thereto.
 FIG. 4 is a front end view of the design of FIG. 1; and,
 FIG. 5 is a bottom view of the design of FIG. 1.

1 Claim, 3 Drawing Sheets



(56)

References Cited

U.S. PATENT DOCUMENTS

4,834,575 A 5/1989 Barth et al.
 D312,881 S * 12/1990 Naether D25/113
 5,108,219 A 4/1992 Hair
 5,201,843 A 4/1993 Hair
 D342,795 S 12/1993 Harrison
 D343,238 S * 1/1994 Hair D25/113
 5,277,514 A 1/1994 Glickman
 D346,667 S 5/1994 Blomquist et al.
 5,342,142 A * 8/1994 Barth E01C 5/00
 404/41
 5,360,285 A 11/1994 Barth et al.
 5,713,173 A 2/1998 von Langsdorff et al.
 D404,147 S 1/1999 Woolford
 5,902,069 A 5/1999 Barth et al.
 D423,114 S 4/2000 Fifield
 D426,317 S 6/2000 Fifield
 D431,305 S 9/2000 Barth et al.
 D431,870 S 10/2000 Ziegler, Jr.

D431,871 S * 10/2000 Abbrancati D25/113
 D488,566 S * 4/2004 Fleishman D25/112
 D498,543 S 11/2004 Schmitz
 6,857,244 B2 2/2005 Schmitz
 D509,001 S 8/2005 McLean
 D511,012 S 10/2005 von Langsdorff
 D521,592 S 5/2006 von Langsdorff
 7,220,078 B2 5/2007 Drost et al.
 D584,424 S * 1/2009 Schneider D25/113
 D664,677 S * 7/2012 Riccobene D25/113
 D675,345 S * 1/2013 Von Langsdorff D25/113
 D738,534 S * 9/2015 Thomassen D25/113
 D761,443 S * 7/2016 Martinez D25/113
 2004/0045248 A1 3/2004 Drost

FOREIGN PATENT DOCUMENTS

IL 8769 * 10/1983
 KR 300720972.0000 * 12/2013
 WO D057006-001 * 9/2001

* cited by examiner

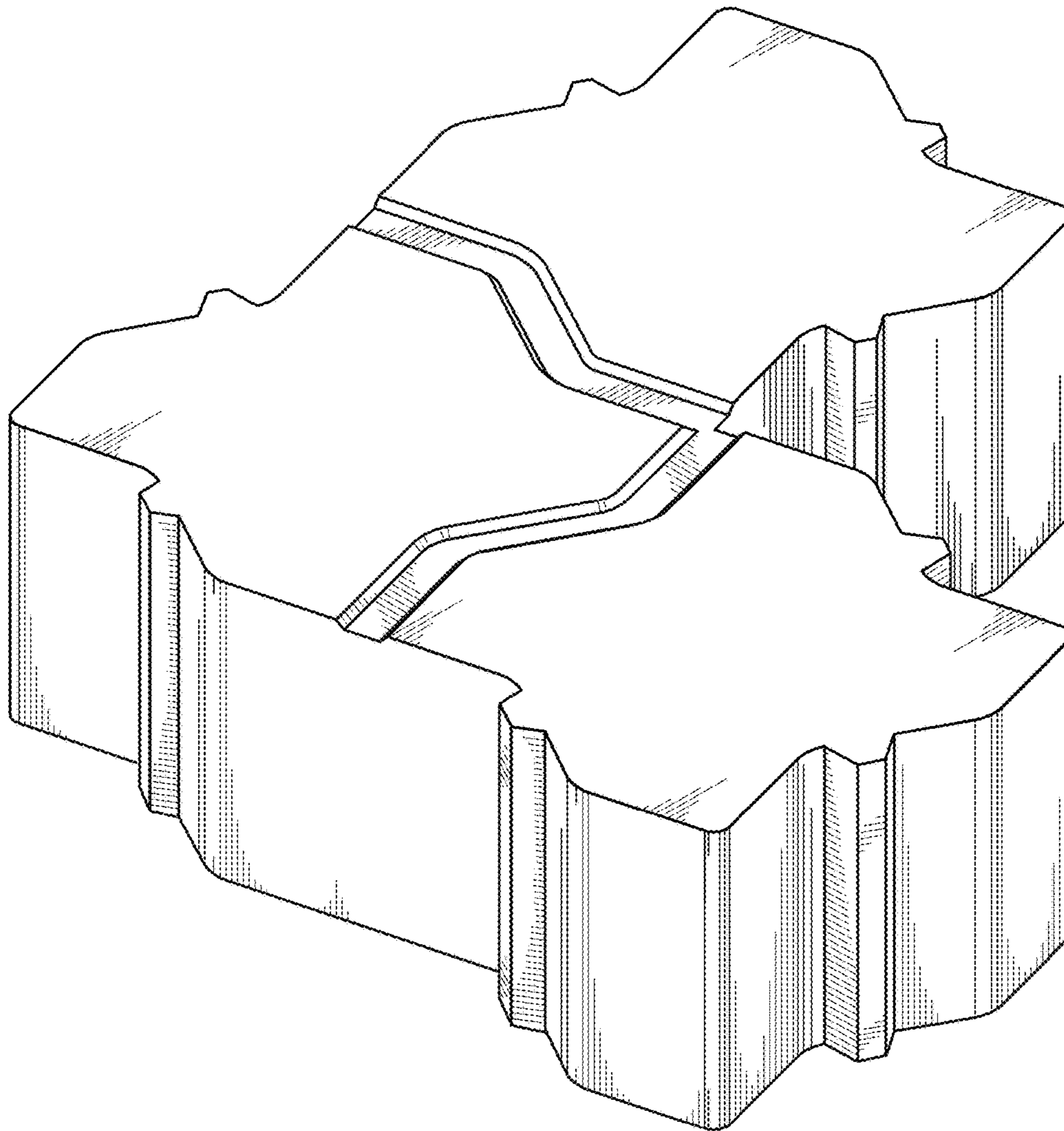


FIG. 1

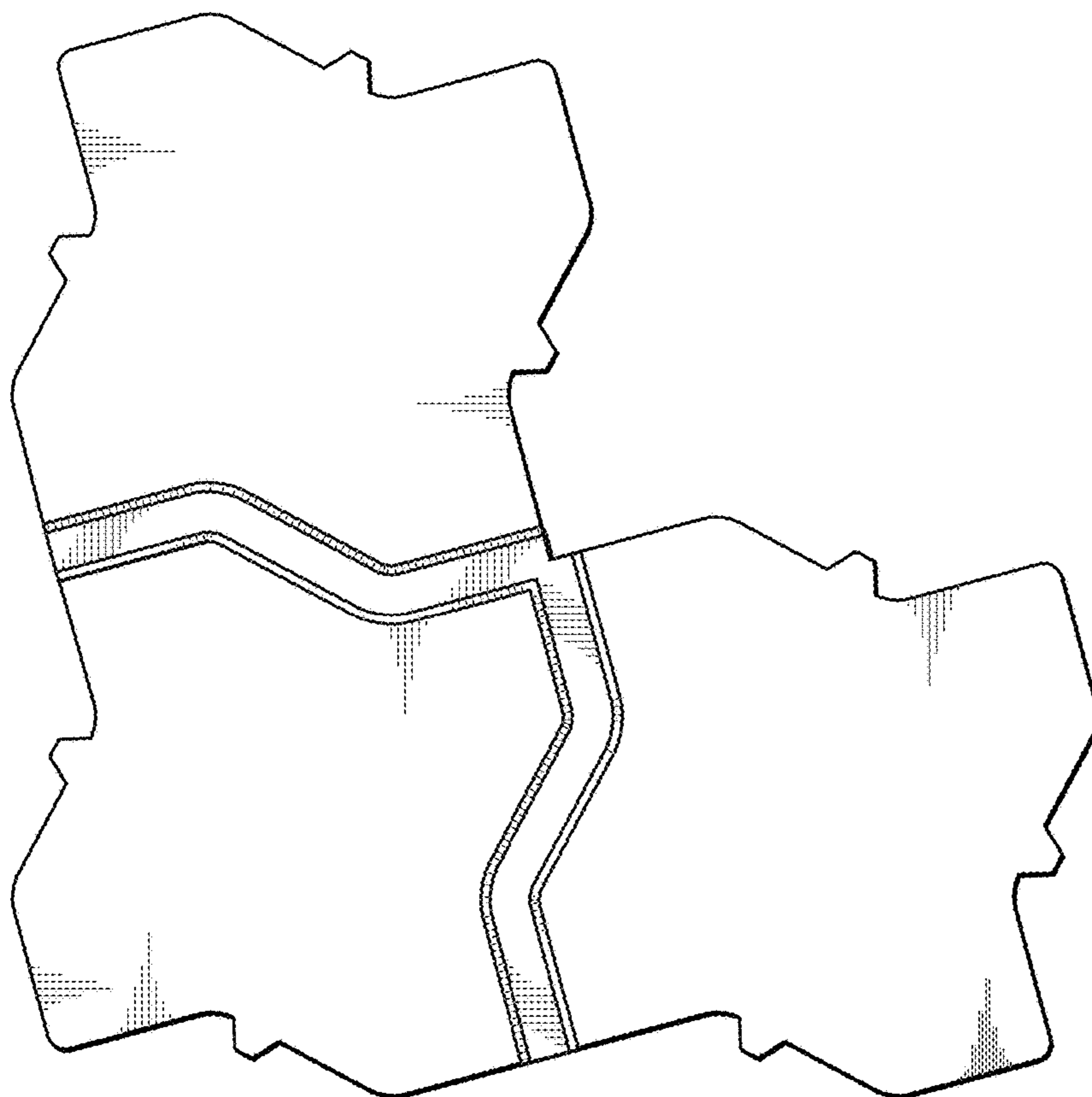


FIG. 2

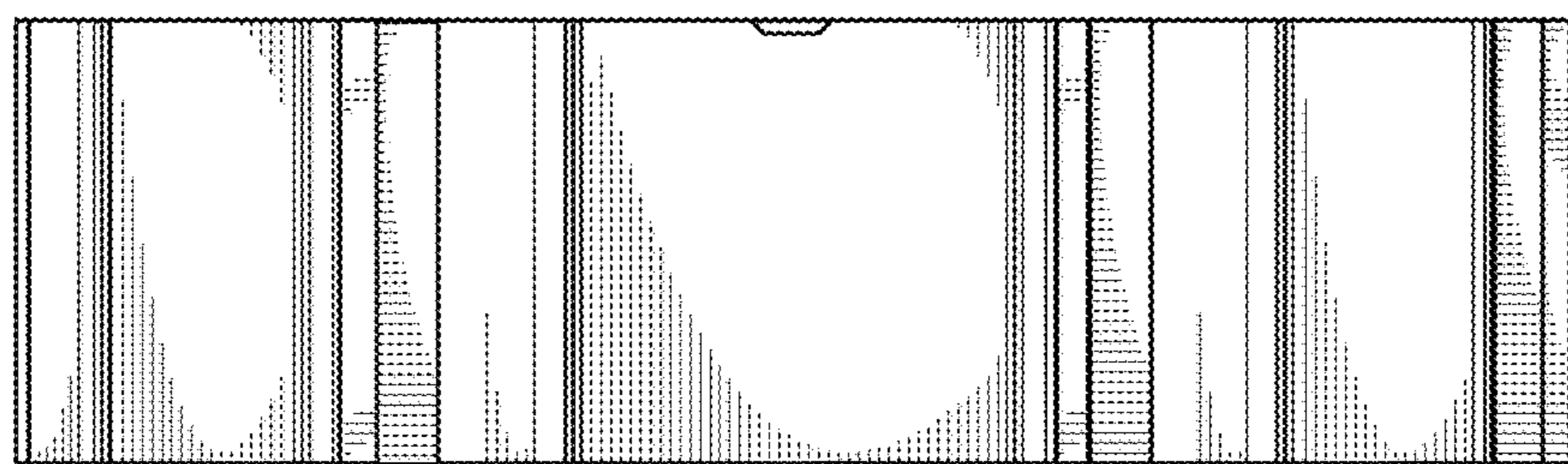


FIG. 3

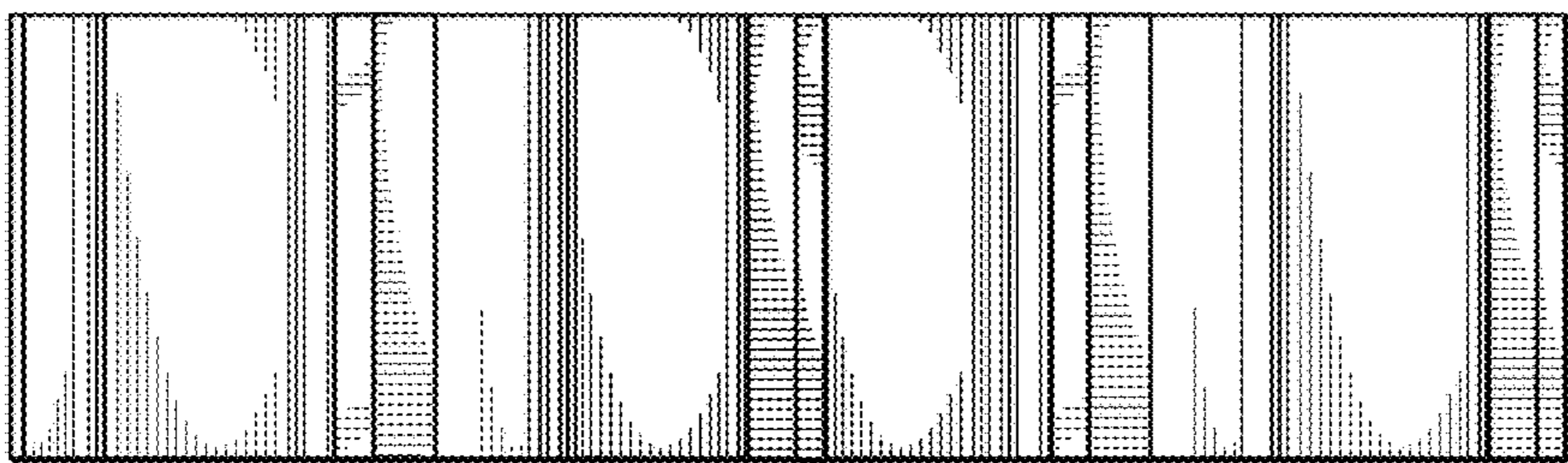


FIG. 4

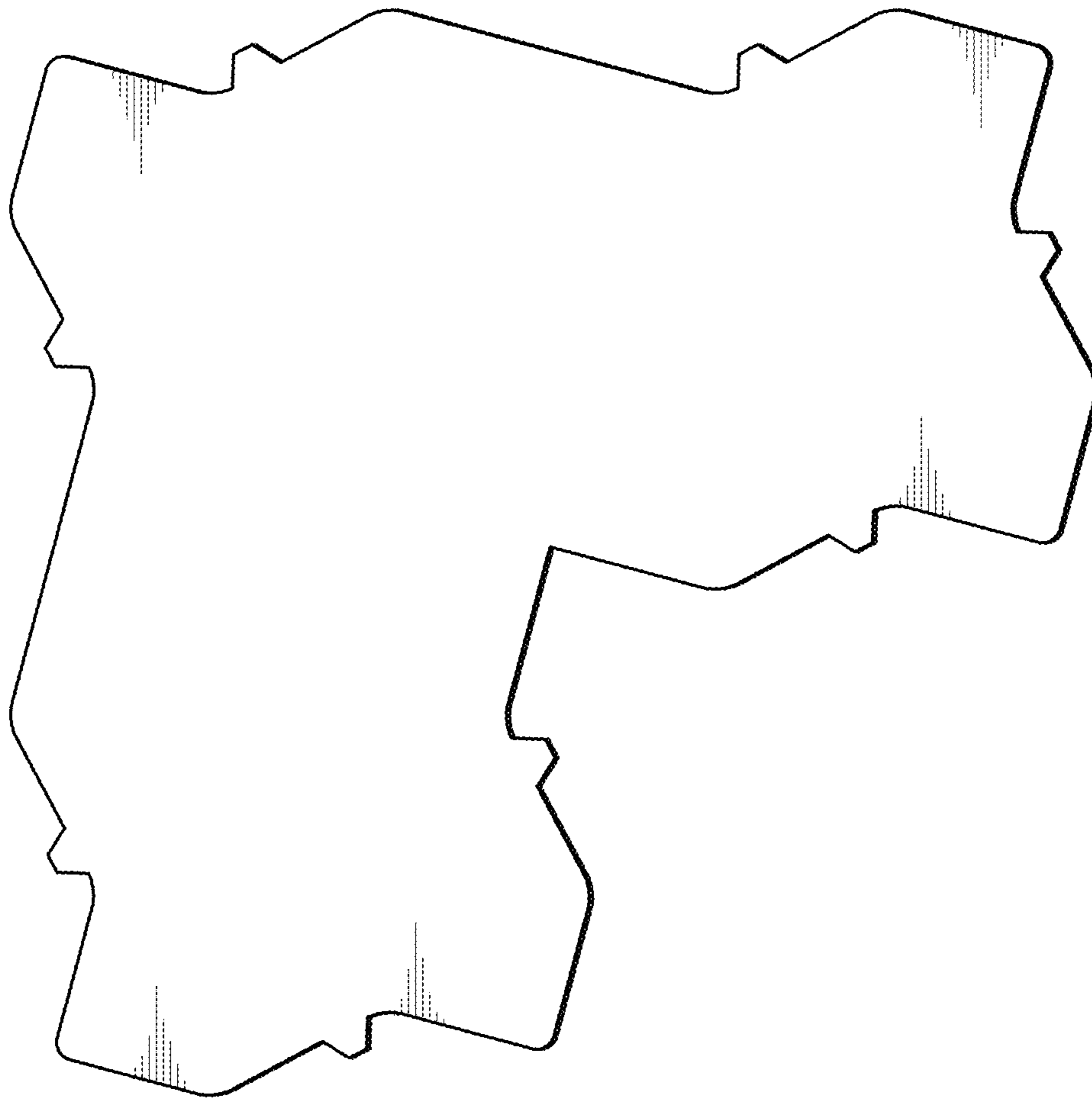


FIG. 5