



US00D783858S

(12) **United States Design Patent**
Hixon et al.

(10) **Patent No.:** **US D783,858 S**
(45) **Date of Patent:** **** Apr. 11, 2017**

(54) **RAILING**

(71) Applicant: **Everlast Climbing Industries, Inc.**,
Mendota Heights, MN (US)
(72) Inventors: **Josh Hixon**, Missoula, MT (US); **Jason Maxwell**, Missoula, MT (US); **John Lucas Florin**, Missoula, MT (US)

(73) Assignee: **EVERLAST CLIMBING INDUSTRIES, INC.**, Mendota Heights, MN (US)

(**) Term: **14 Years**

(21) Appl. No.: **29/493,507**

(22) Filed: **Jun. 10, 2014**

(51) **LOC (10) Cl.** **25-02**

(52) **U.S. Cl.**
USPC **D25/41.1**

(58) **Field of Classification Search**
USPC D6/717; D8/303, 307, 315, 317;
D12/115; D25/38.1, 35, 39, 41.1, 42, 43,
(Continued)

(56) **References Cited**

U.S. PATENT DOCUMENTS

D187,523 S * 3/1960 Baker D25/41.1
2,974,746 A * 3/1961 Baker E04H 4/144
105/461

(Continued)

Primary Examiner — Susan Bennett Hattan

Assistant Examiner — Leanne Was-Englehart

(74) *Attorney, Agent, or Firm* — McAndrews, Held & Malloy, Ltd.

(57) **CLAIM**

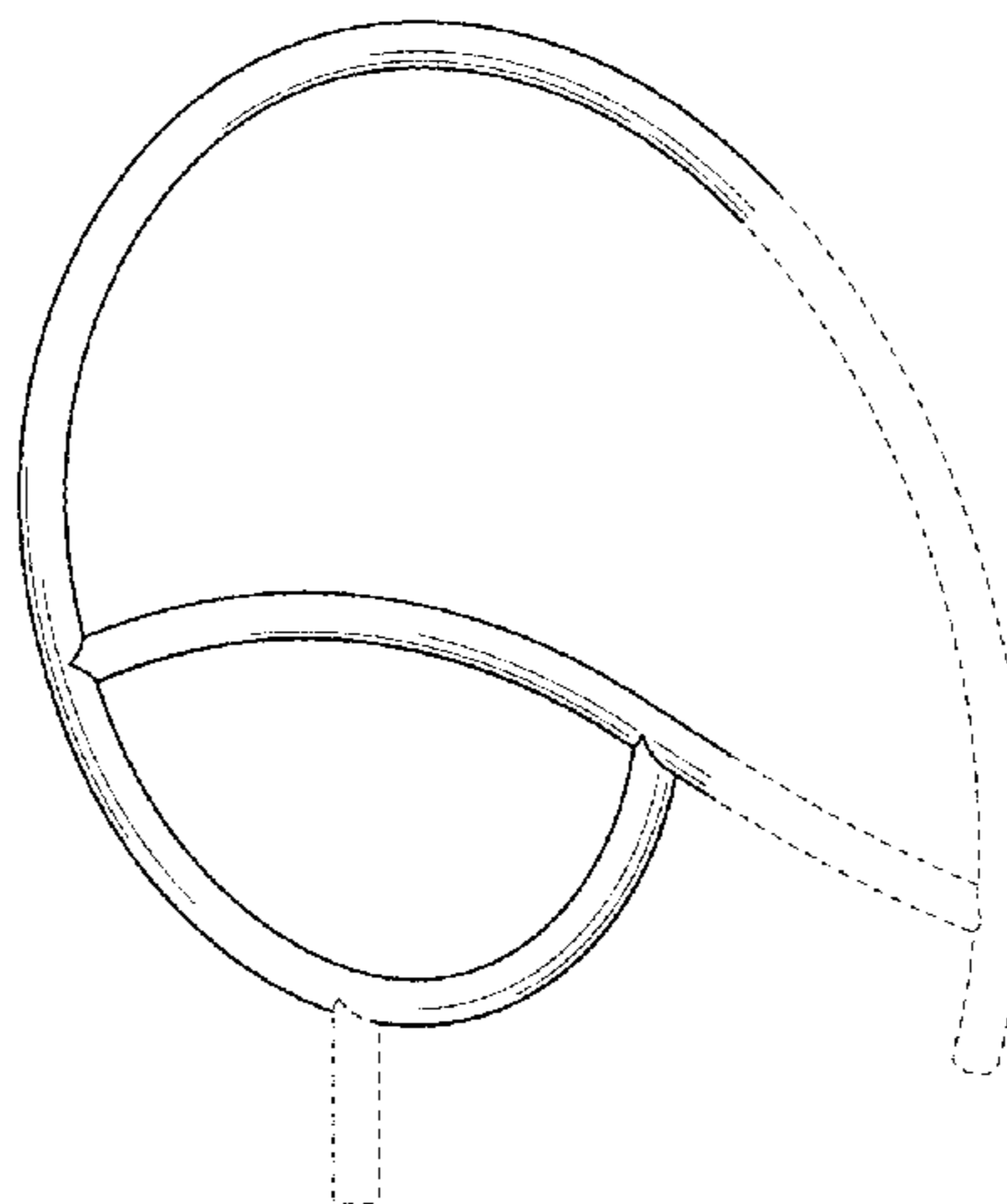
The ornamental design for a railing, as shown and described.

DESCRIPTION

FIG. 1 is a front left perspective view of a railing showing my new design;

FIG. 2 is a front elevation view thereof;
FIG. 3 is a rear elevation view thereof;
FIG. 4 is a right side elevation view thereof;
FIG. 5 is a left side elevation view thereof;
FIG. 6 is a top plan view thereof;
FIG. 7 is a bottom plan view thereof;
FIG. 8 is the front left perspective view of FIG. 1 showing a second unclaimed railing;
FIG. 9 is the front elevation view of FIG. 2 showing a second unclaimed railing;
FIG. 10 is the rear elevation view of FIG. 3 showing a second unclaimed railing;
FIG. 11 is the right side elevation view of FIG. 4 showing a second unclaimed railing;
FIG. 12 is the left side elevation view of FIG. 5 showing a second unclaimed railing;
FIG. 13 is the top plan view of FIG. 6 showing a second unclaimed railing;
FIG. 14 is the bottom plan view of FIG. 7 showing a second unclaimed railing;
FIG. 15 is a front left perspective view of FIG. 1 showing additional unclaimed environmental structure;
FIG. 16 is a front right perspective view of my design showing a second unclaimed railing and additional unclaimed environmental structure;
FIG. 17 is a front right perspective view of my design showing a second unclaimed railing and additional unclaimed environmental structure;
FIG. 18 is a front right perspective view of my design showing a second unclaimed railing and additional unclaimed environmental structure; and,
FIG. 19 is a front right perspective view of my design showing a second unclaimed railing and additional unclaimed environmental structure.
The broken line showings of the Figures are for the purpose of illustrating environmental structure and form no part of the claimed design.

1 Claim, 13 Drawing Sheets



(58) **Field of Classification Search**

USPC D25/44; 4/496, 504, 506, 511; 52/8, 9,
 52/183, 184; 105/461; 182/93, 97, 106,
 182/113; 256/1, 59, 63, 64; 403/238
 CPC E04H 4/144; E06C 7/181; E06C 7/182;
 E06C 7/183; E06C 9/00; E06C 9/02;
 E06C 9/04; E06C 9/08; Y10T 403/4622
 See application file for complete search history.

D399,009 S * 9/1998 Victor D25/38.1
 D402,039 S * 12/1998 Victor D25/41.1
 D409,311 S * 5/1999 Victor D25/41.1
 D417,287 S * 11/1999 Victor D25/41.1
 6,854,216 B2 * 2/2005 Ahrens E04H 3/123
 52/183
 D524,451 S * 7/2006 Morris D25/41.1
 D535,544 S * 1/2007 DeBaal D8/303
 D589,629 S * 3/2009 French D25/41.1
 D632,616 S * 2/2011 Lohr D12/115
 D685,108 S * 6/2013 Gaffin D25/41.1
 D706,448 S * 6/2014 Laitta D25/41.1
 D706,449 S * 6/2014 Laitta D25/41.1
 D706,450 S * 6/2014 Laitta D25/41.1
 D706,451 S * 6/2014 Laitta D25/41.1
 D706,452 S * 6/2014 Laitta D25/41.1
 D725,792 S * 3/2015 Cullen D25/38.1
 D756,531 S * 5/2016 Hagerty D25/41.1

(56) **References Cited**

U.S. PATENT DOCUMENTS

3,065,820 A * 11/1962 Prizler E04H 4/144
 182/93
 D194,835 S * 3/1963 Prizler et al. D12/414
 D297,055 S * 8/1988 McElvania D12/106
 D302,805 S * 8/1989 Hoyt D12/115
 5,333,323 A * 8/1994 Aymes E04H 4/144
 182/93

* cited by examiner

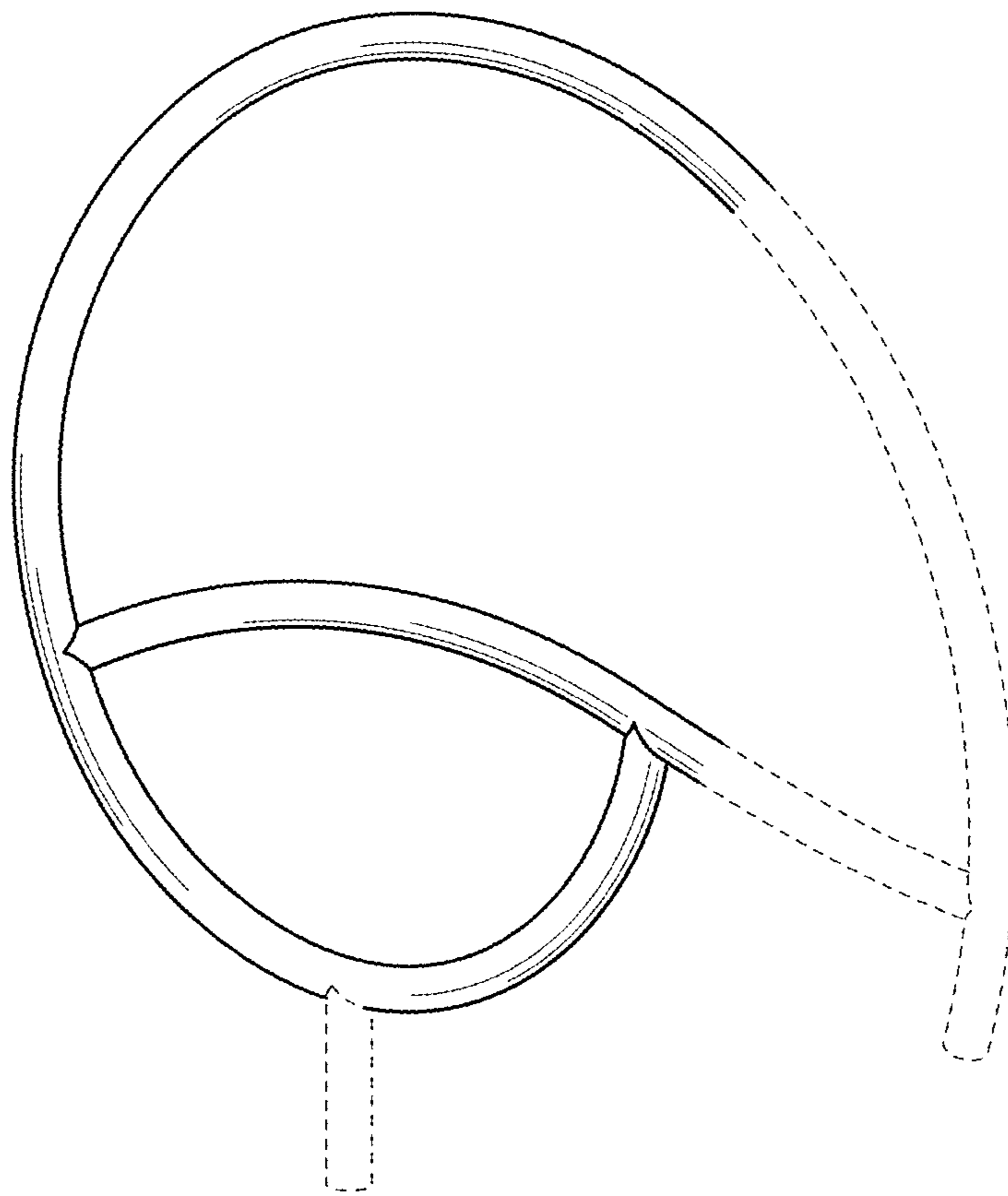


FIG. 1

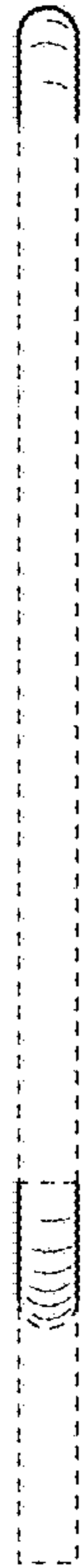


FIG. 2



FIG. 3

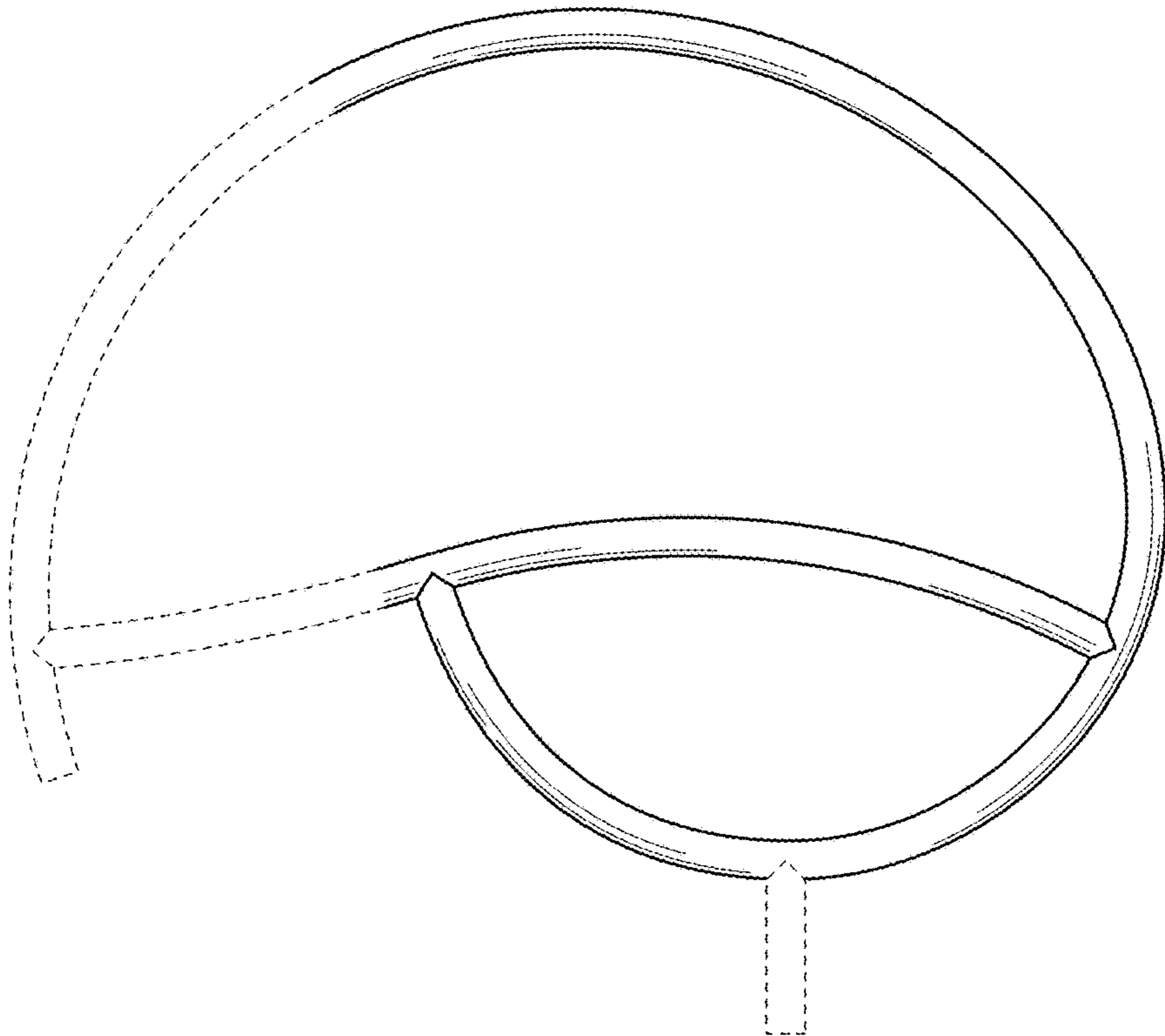


FIG. 4

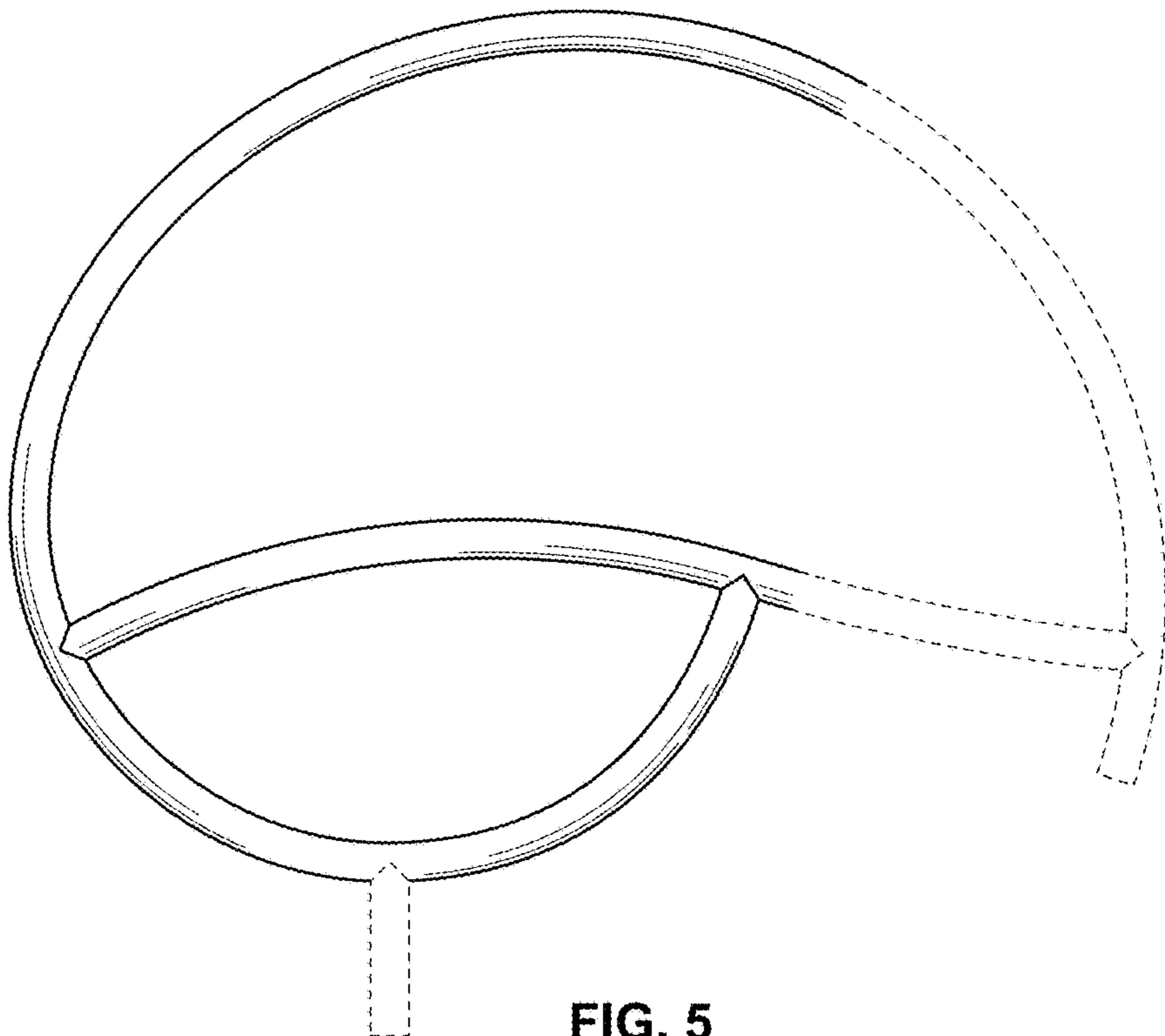


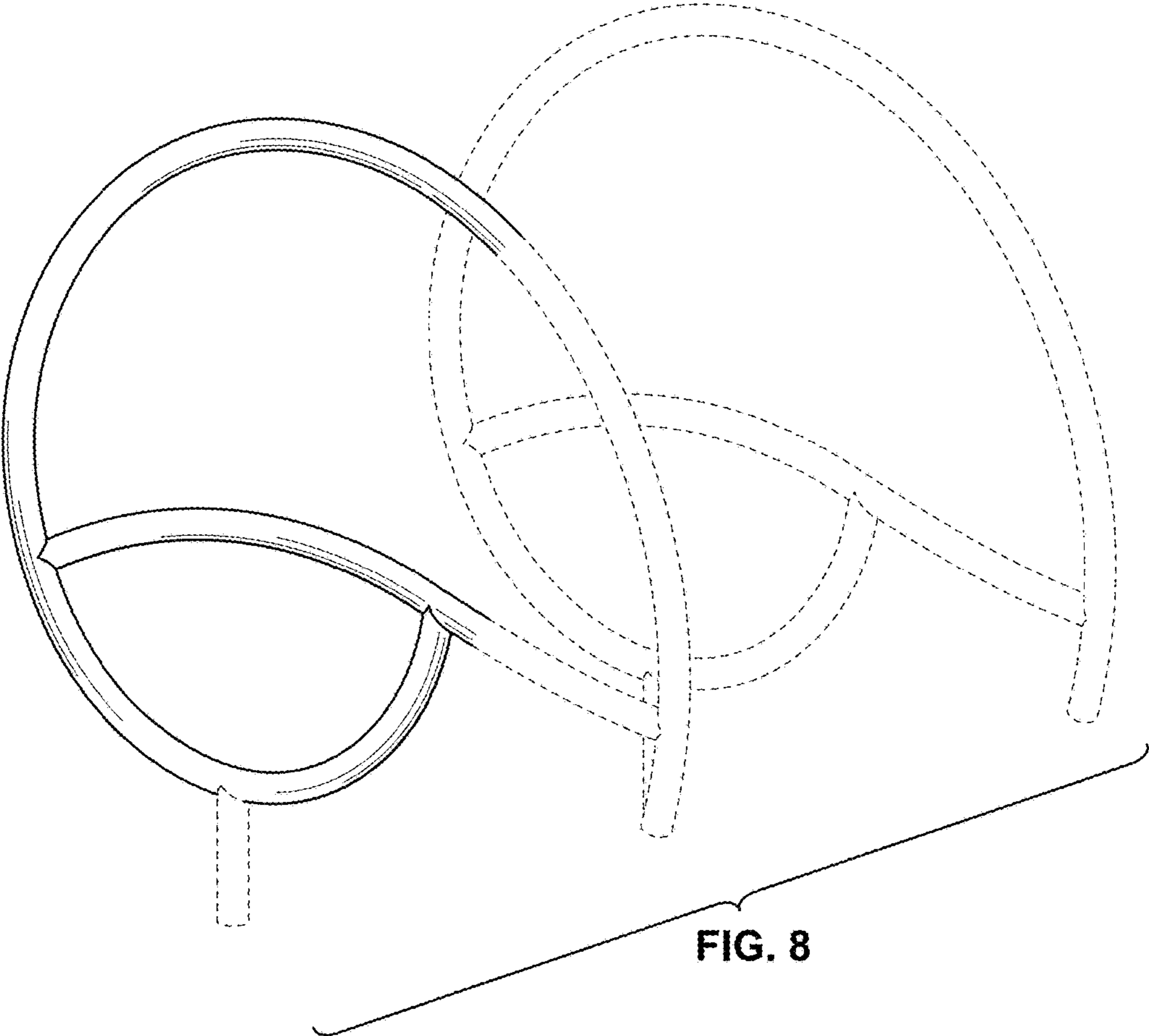
FIG. 5



FIG. 6



FIG. 7



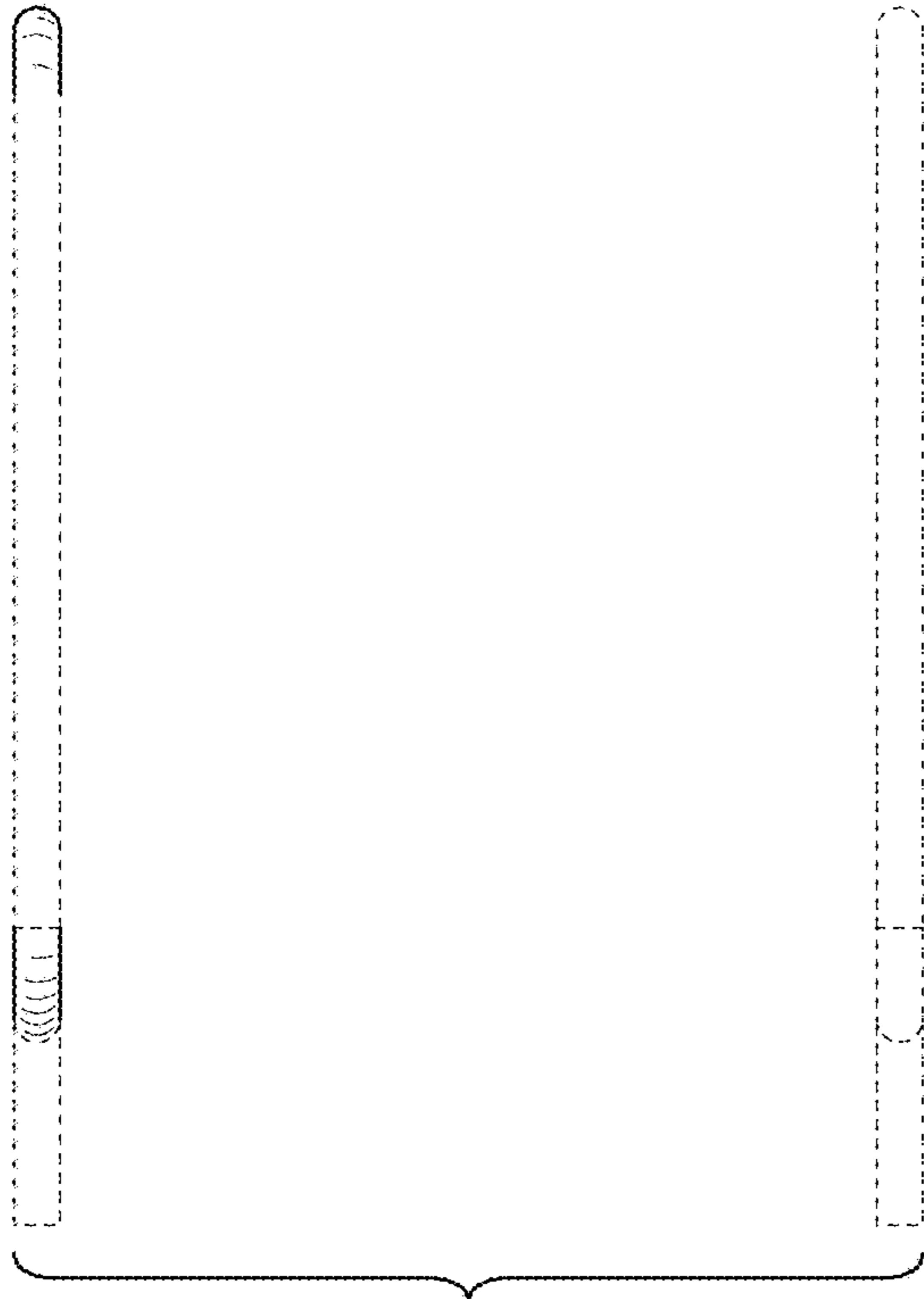


FIG. 9

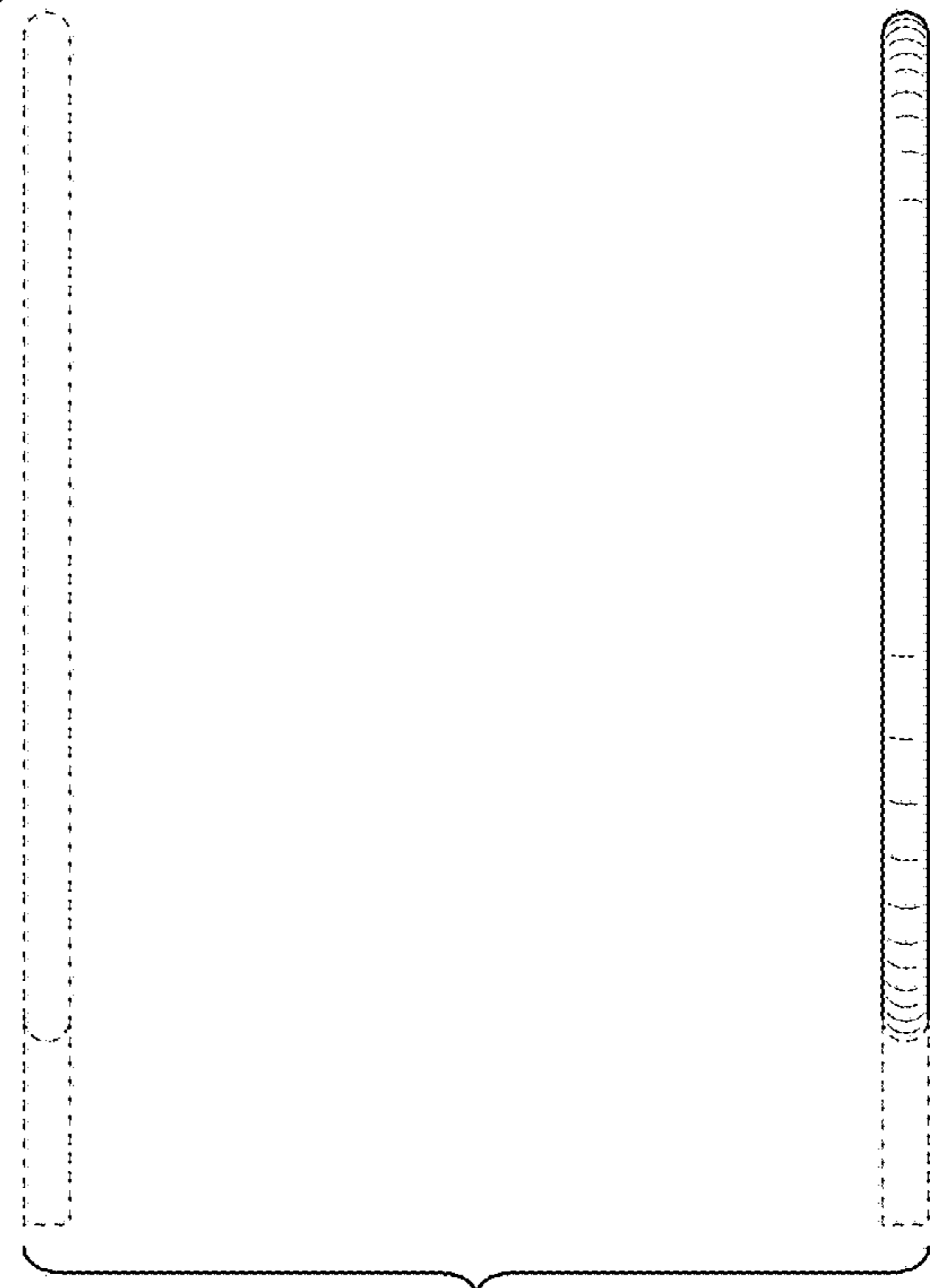


FIG. 10

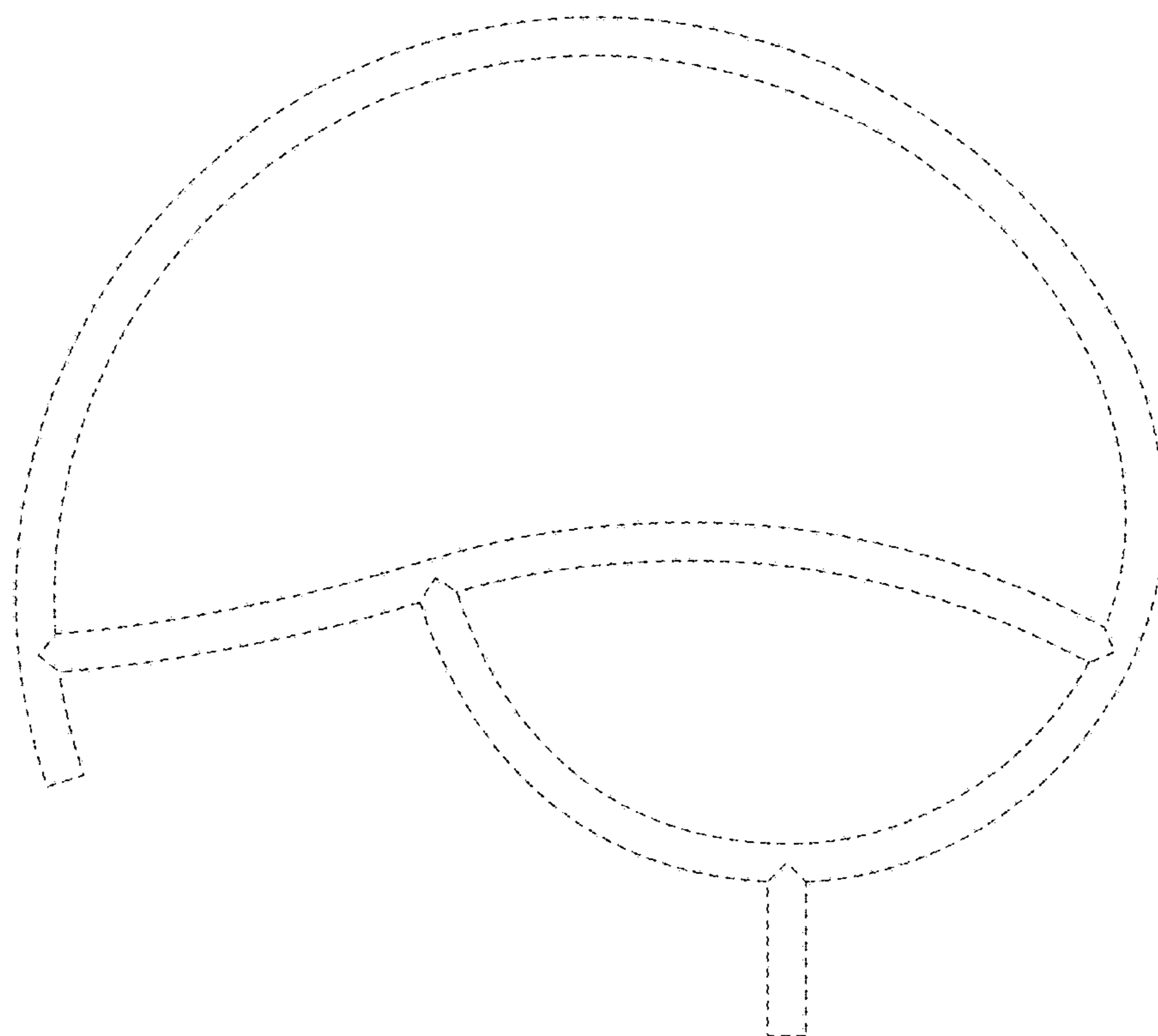


FIG. 11

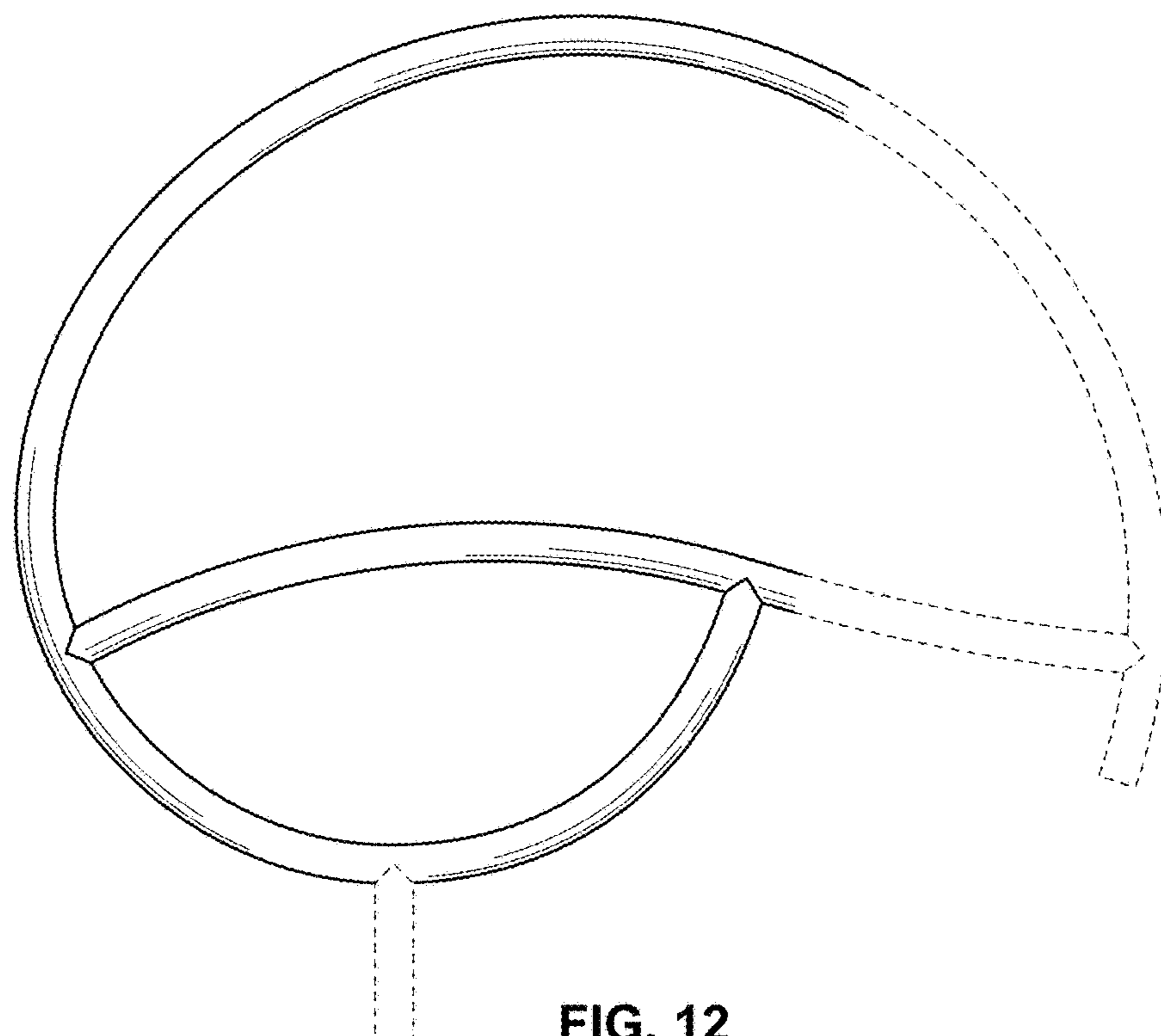


FIG. 12

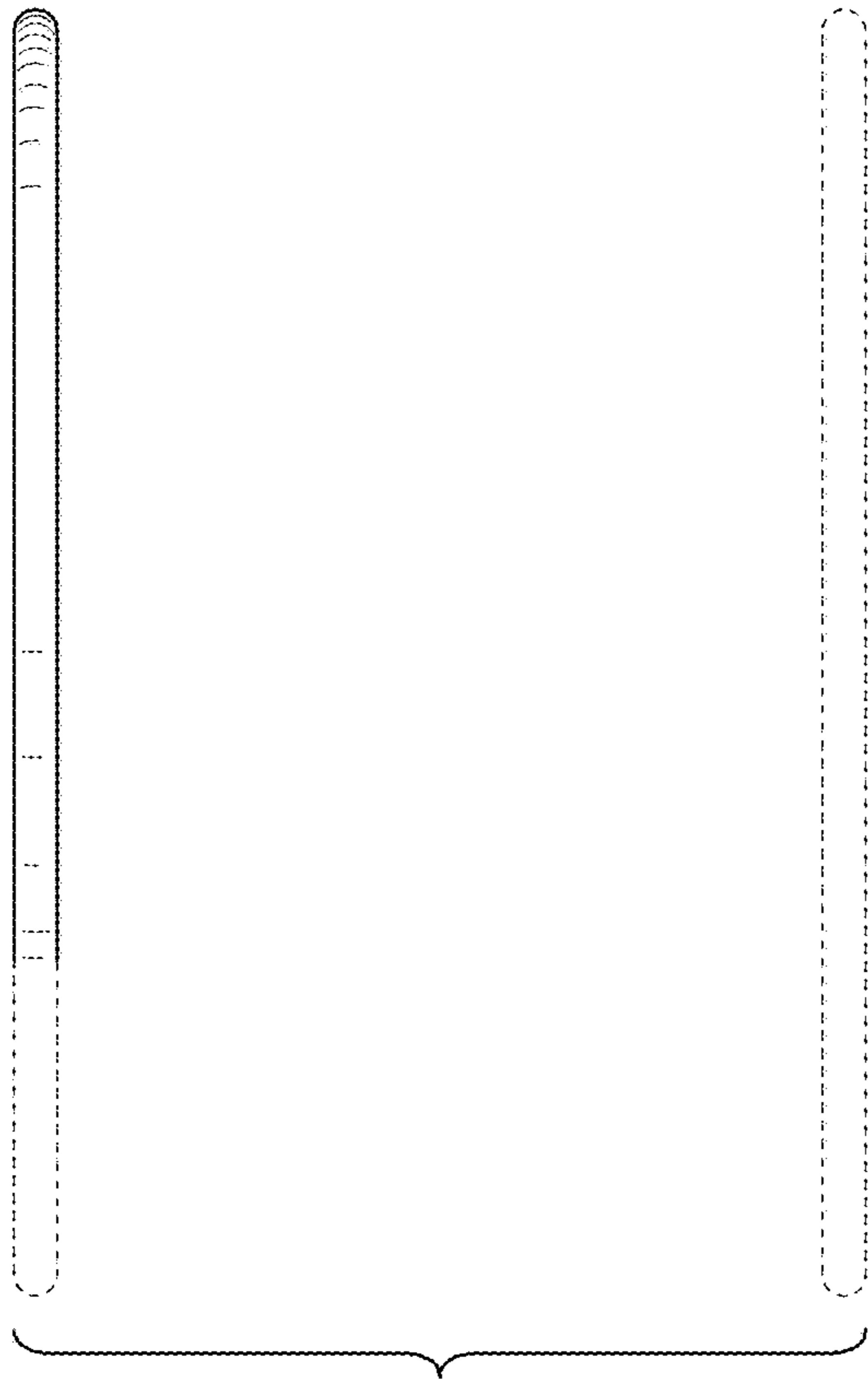


FIG. 13

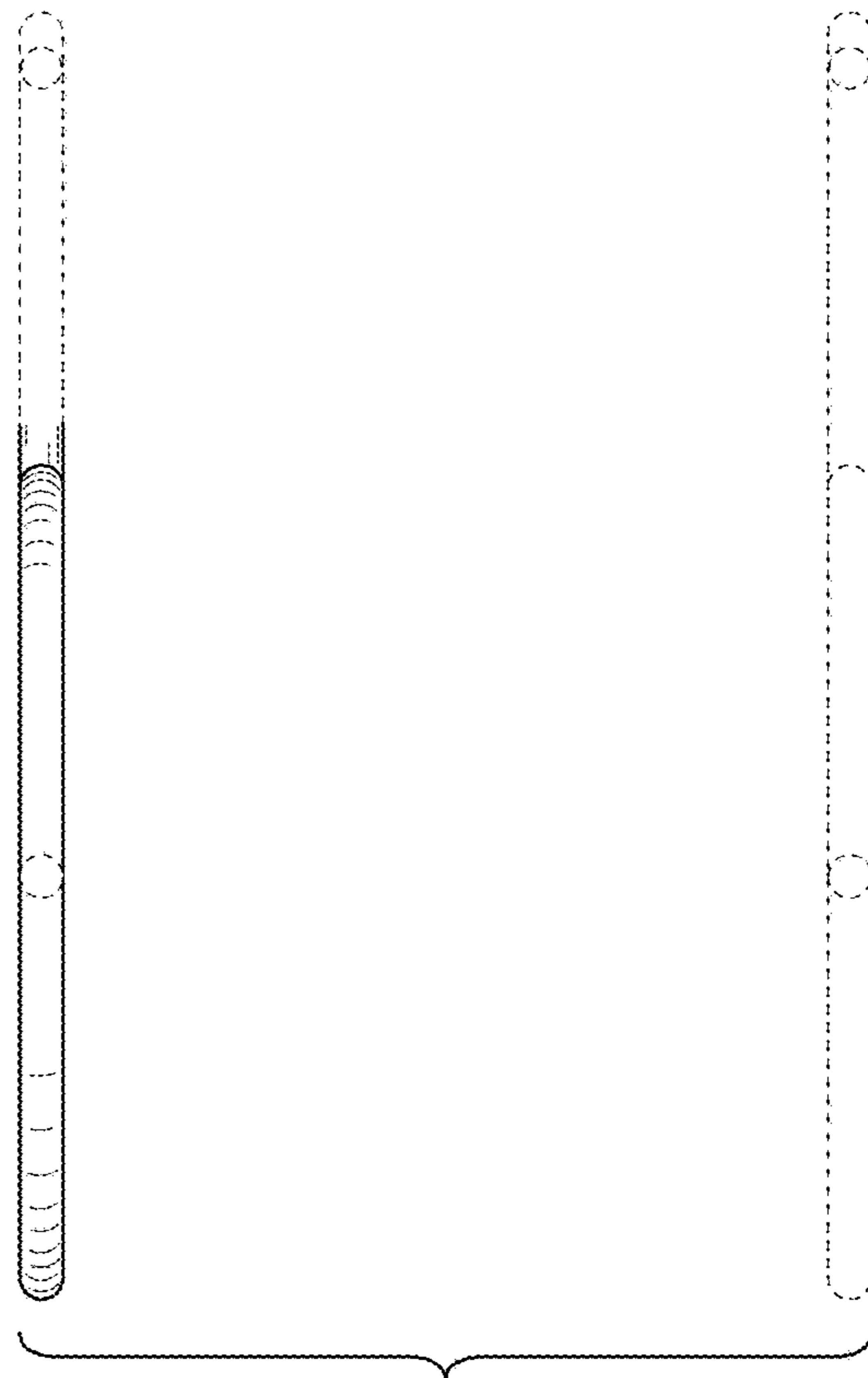


FIG. 14

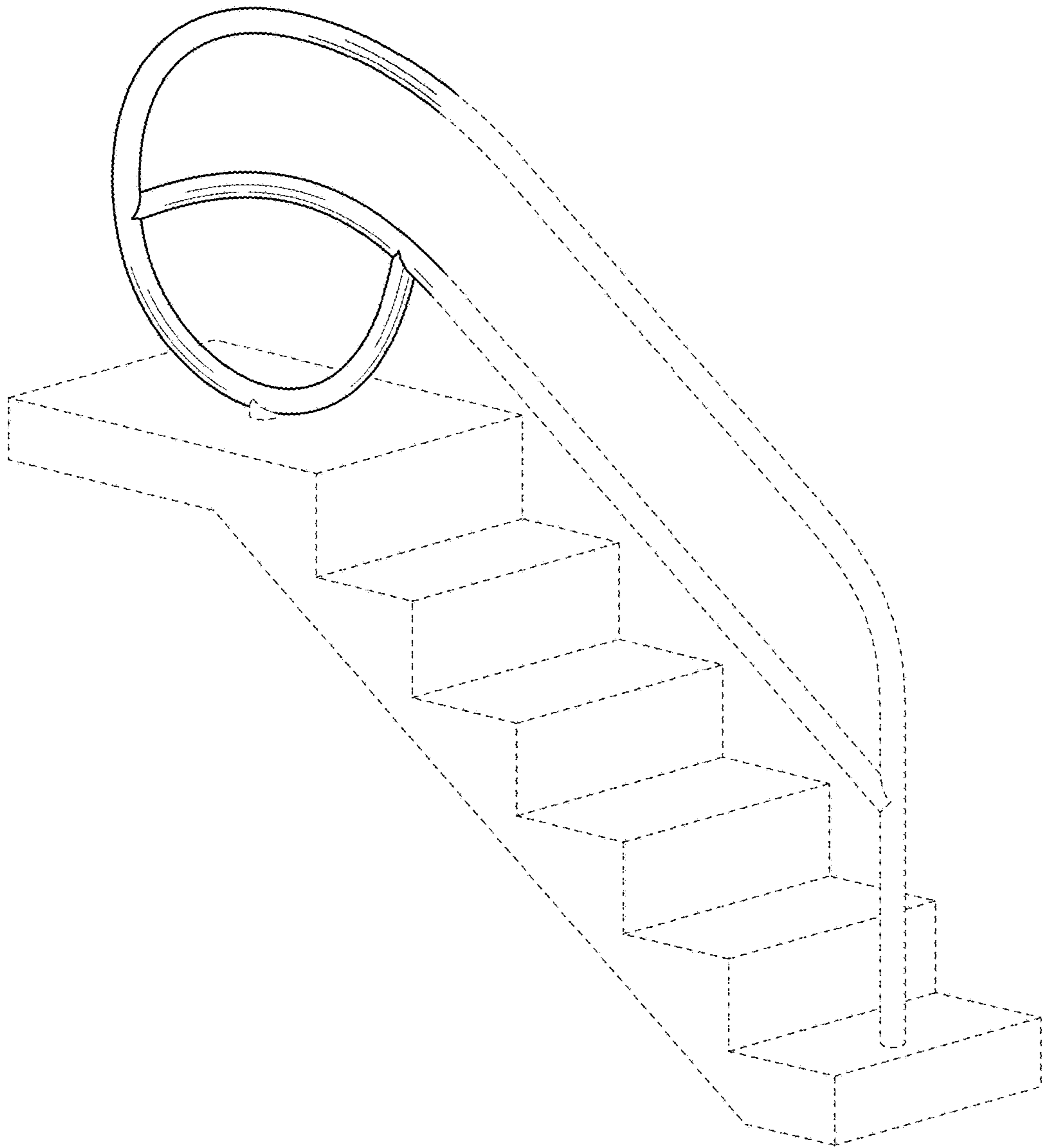


FIG. 15

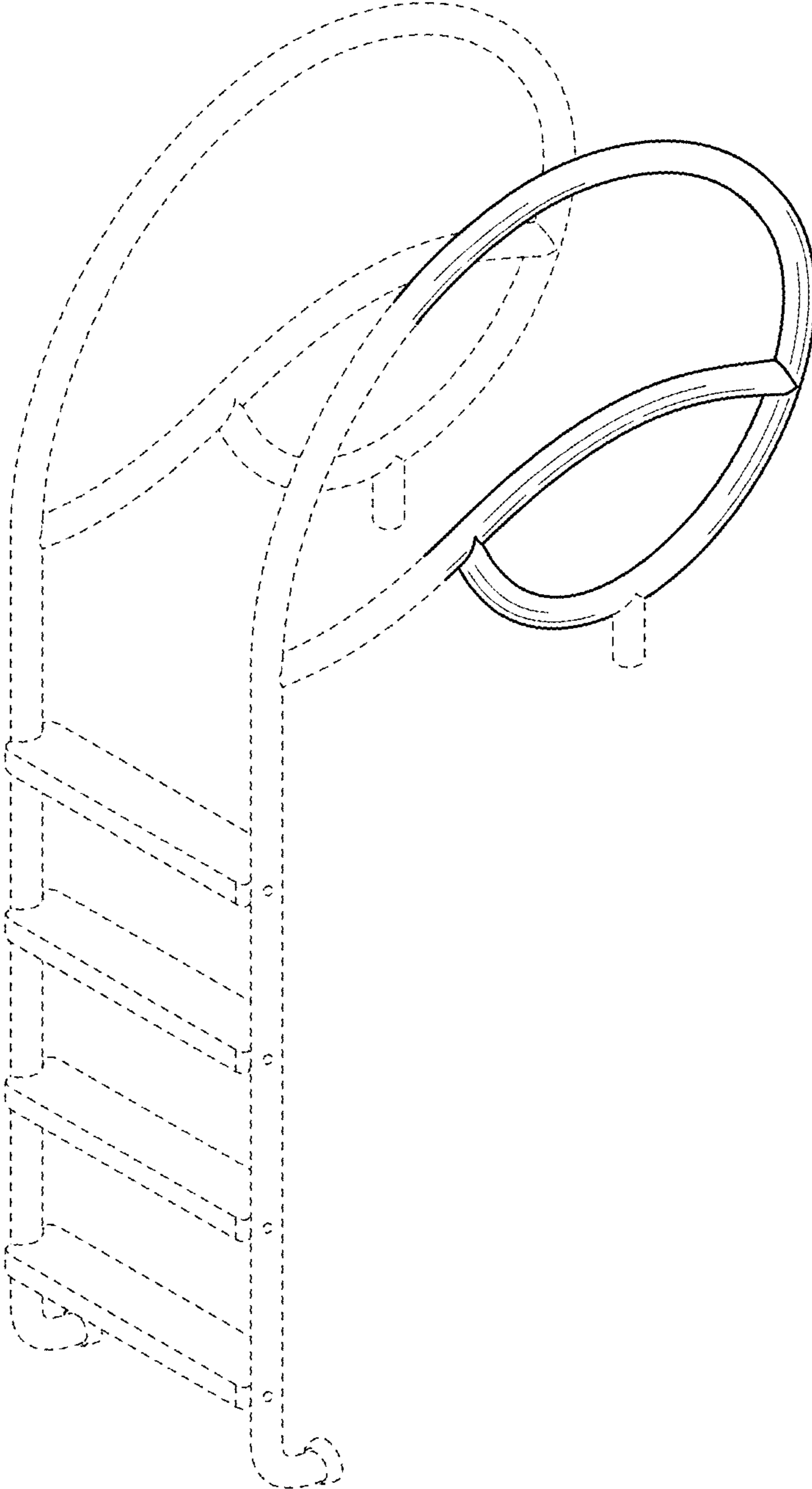


FIG. 16

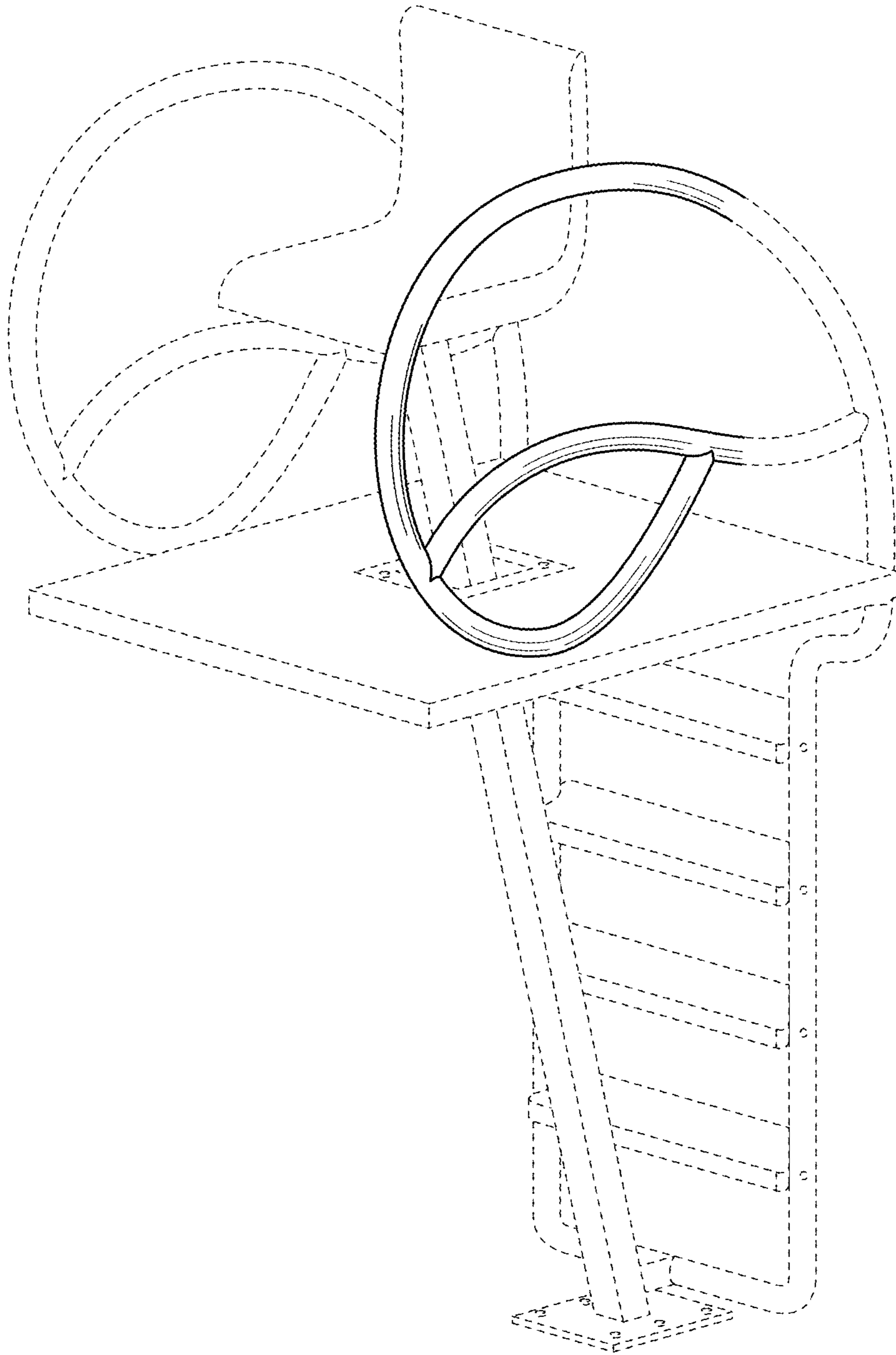


FIG. 17

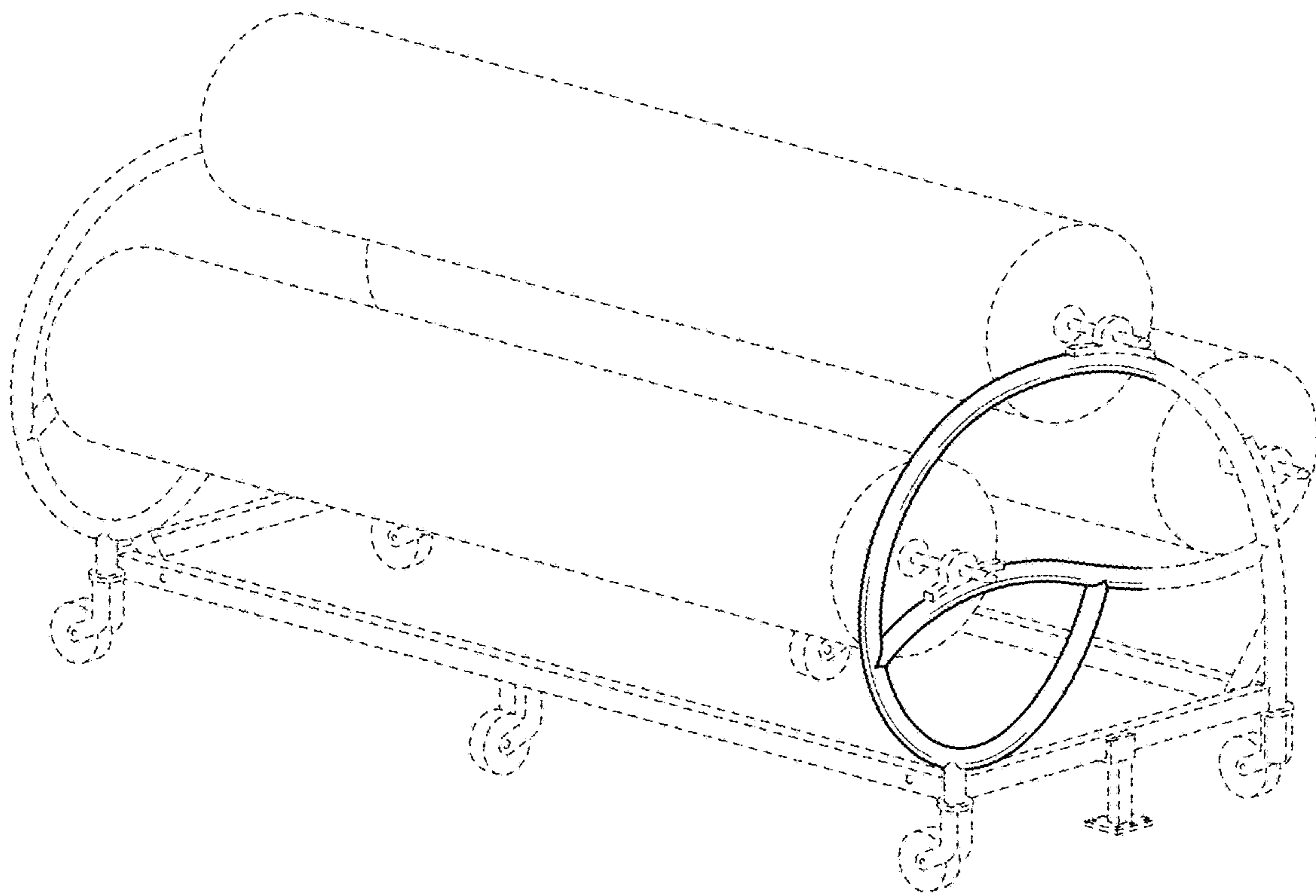


FIG. 18

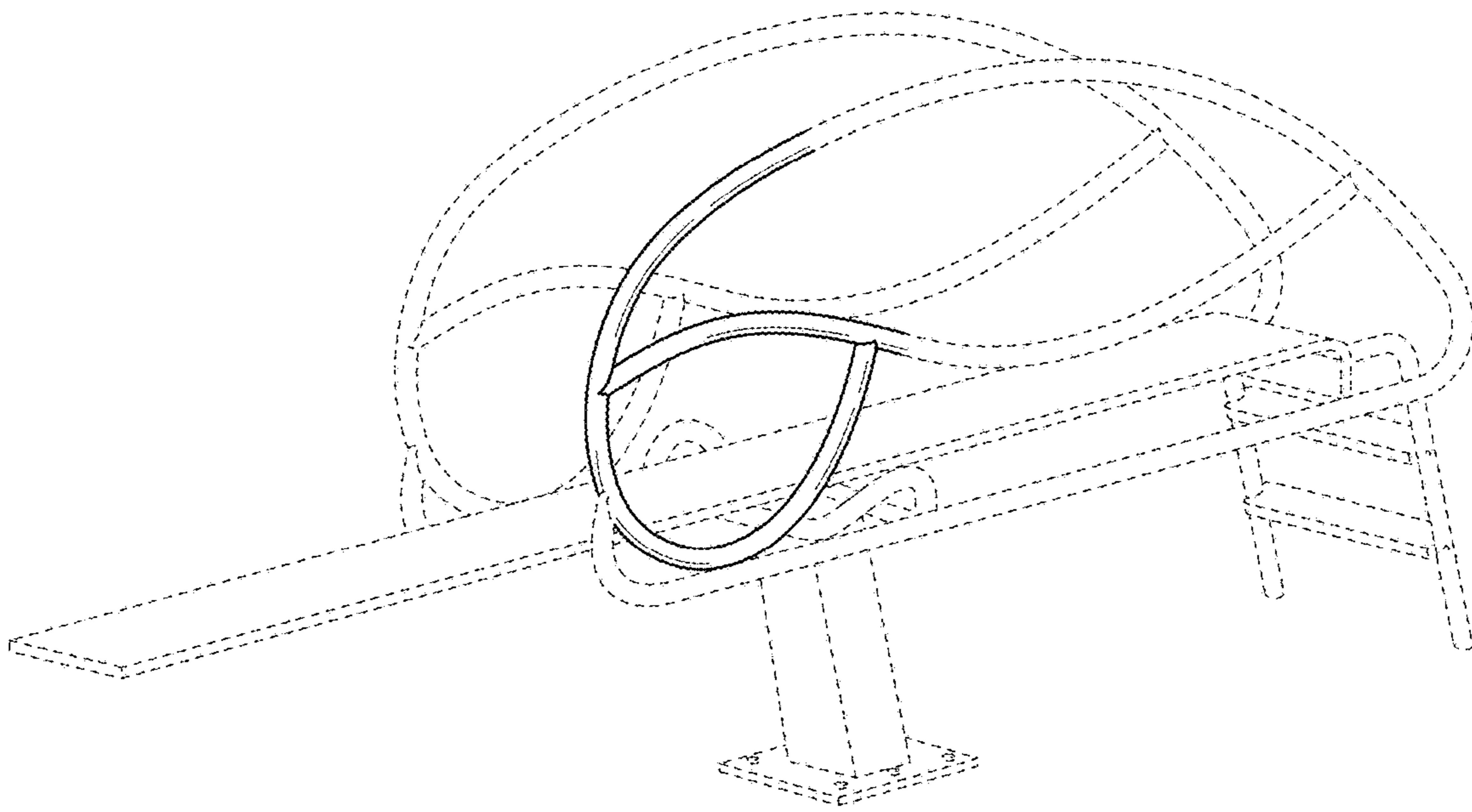


FIG. 19