



US00D783856S

(12) **United States Design Patent** (10) **Patent No.:** **US D783,856 S**
Super et al. (45) **Date of Patent:** **** Apr. 11, 2017**

(54) **CORNER PROTECTOR FOR INSTRUMENT STERILIZATION TRAY**

(71) Applicant: **Summit Medical, Inc.**, St. Paul, MN (US)

(72) Inventors: **Marcus Felipe Super**, Minnetonka, MN (US); **Daniel Broberg**, Minnetonka, MN (US); **Kevin D. McIntosh**, Brooklyn Park, MN (US)

(73) Assignee: **Summit Medical, Inc.**, St. Paul, MN (US)

(**) Term: **14 Years**

(21) Appl. No.: **29/497,138**

(22) Filed: **Jul. 21, 2014**

(51) **LOC (10) Cl.** **24-02**

(52) **U.S. Cl.**
USPC **D24/227**

(58) **Field of Classification Search**
USPC D8/380, 354, 400-499; D24/227;
D9/456; D14/217; D12/167, 172;
D34/19, 38; 52/287.1; 206/453, 586;
229/199

CPC ... B65D 81/053; B65D 81/054; B65D 81/055
See application file for complete search history.

(56) **References Cited**

U.S. PATENT DOCUMENTS

D253,506 S * 11/1979 Vigue D8/403
D573,013 S * 7/2008 Lavelle D8/403
D602,350 S 10/2009 Lavelle
D612,718 S * 3/2010 Lavelle D8/403

D624,812 S * 10/2010 Lavelle D8/403
D624,813 S * 10/2010 Lavelle D8/403
D640,919 S * 7/2011 Lavelle D8/403
D647,212 S * 10/2011 Lavelle D24/227
D654,356 S * 2/2012 Lavelle D8/403
D660,454 S * 5/2012 Lavelle D24/227
D704,045 S * 5/2014 Lavelle D8/403
D709,360 S * 7/2014 Lavelle D8/403
2007/0251855 A1 * 11/2007 Curnow A61B 50/33
206/586

FOREIGN PATENT DOCUMENTS

WO 2007019233 A3 2/2007
WO 2008094850 A1 8/2008
WO 2011142939 A3 11/2011
WO 2013039493 A1 3/2013

* cited by examiner

Primary Examiner — Susan Bennett Hattan

Assistant Examiner — Rebecca Tsehaye

(74) *Attorney, Agent, or Firm* — Peter J. Ims; Westman, Champlin & Koehler, P.A.

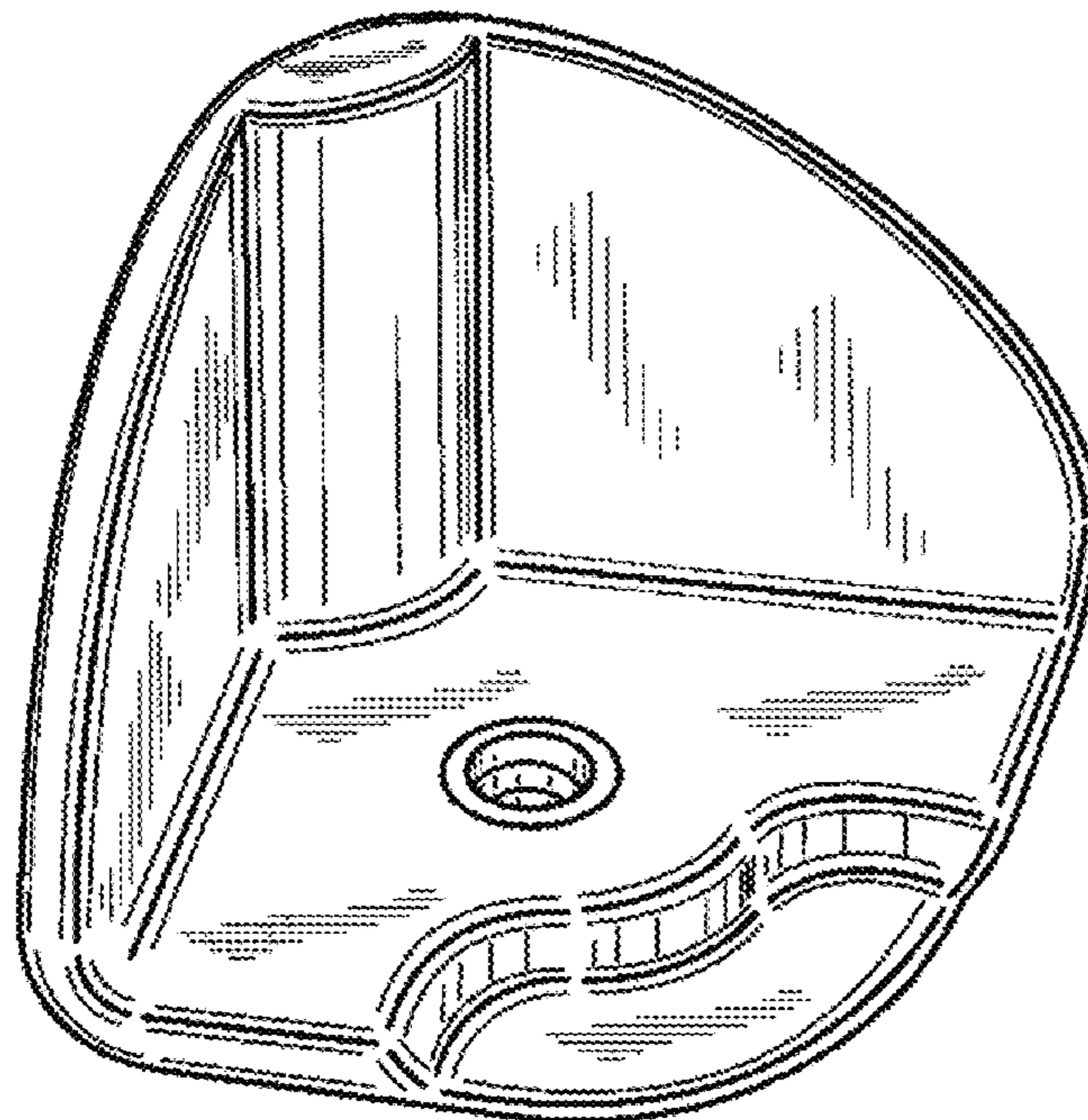
(57) **CLAIM**

The ornamental design for a corner protector for instrument sterilization tray, as shown and described.

DESCRIPTION

FIG. 1 is a perspective view thereof;
FIG. 2 is a side view thereof, as taken from the left side of FIG. 1;
FIG. 3 is a side view thereof; as taken from the right side of FIG. 1;
FIG. 4 is a front view thereof;
FIG. 5 is a back view thereof;
FIG. 6 is a top view thereof; and,
FIG. 7 is a bottom view thereof.

1 Claim, 4 Drawing Sheets



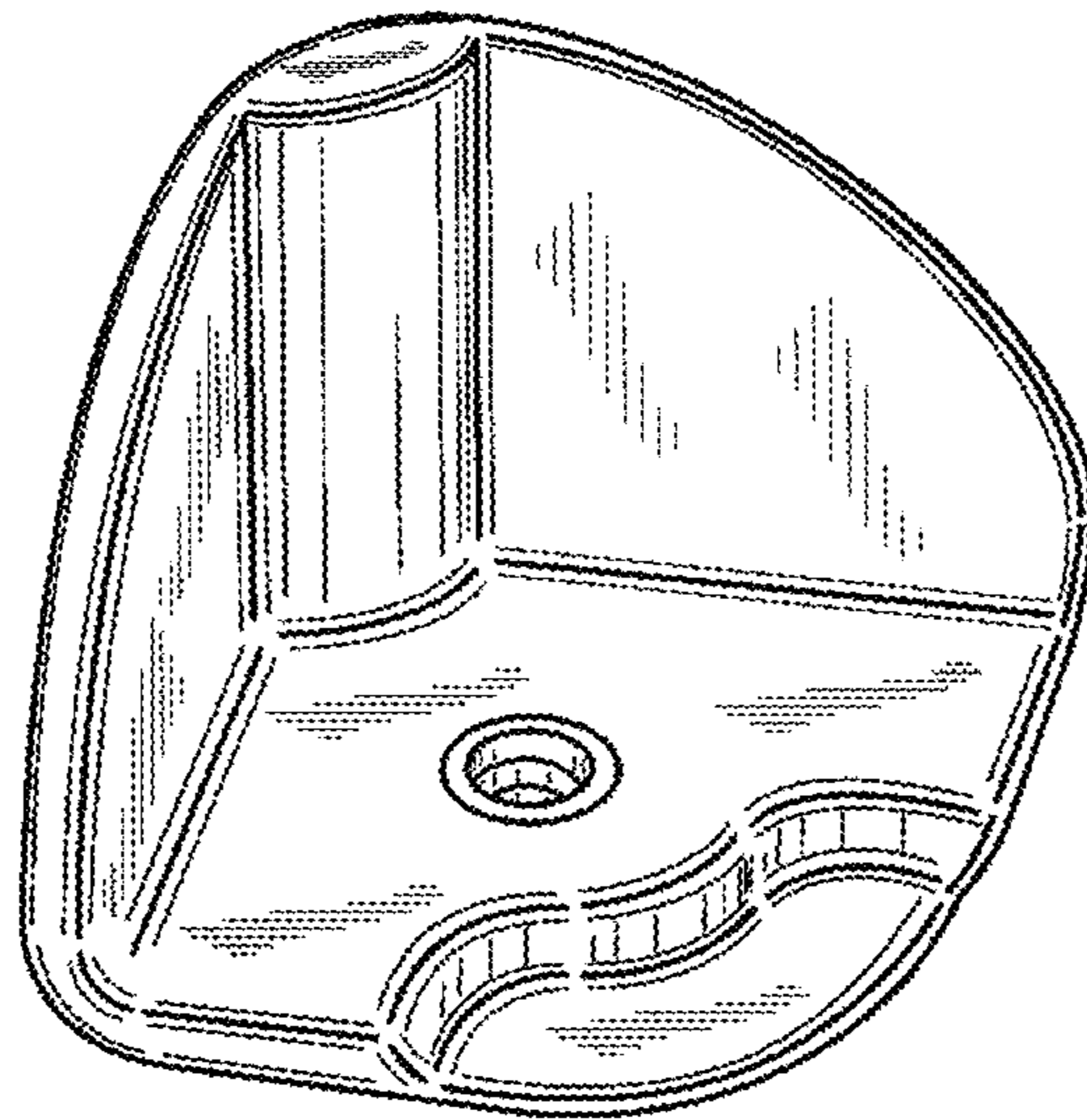


Fig. 1

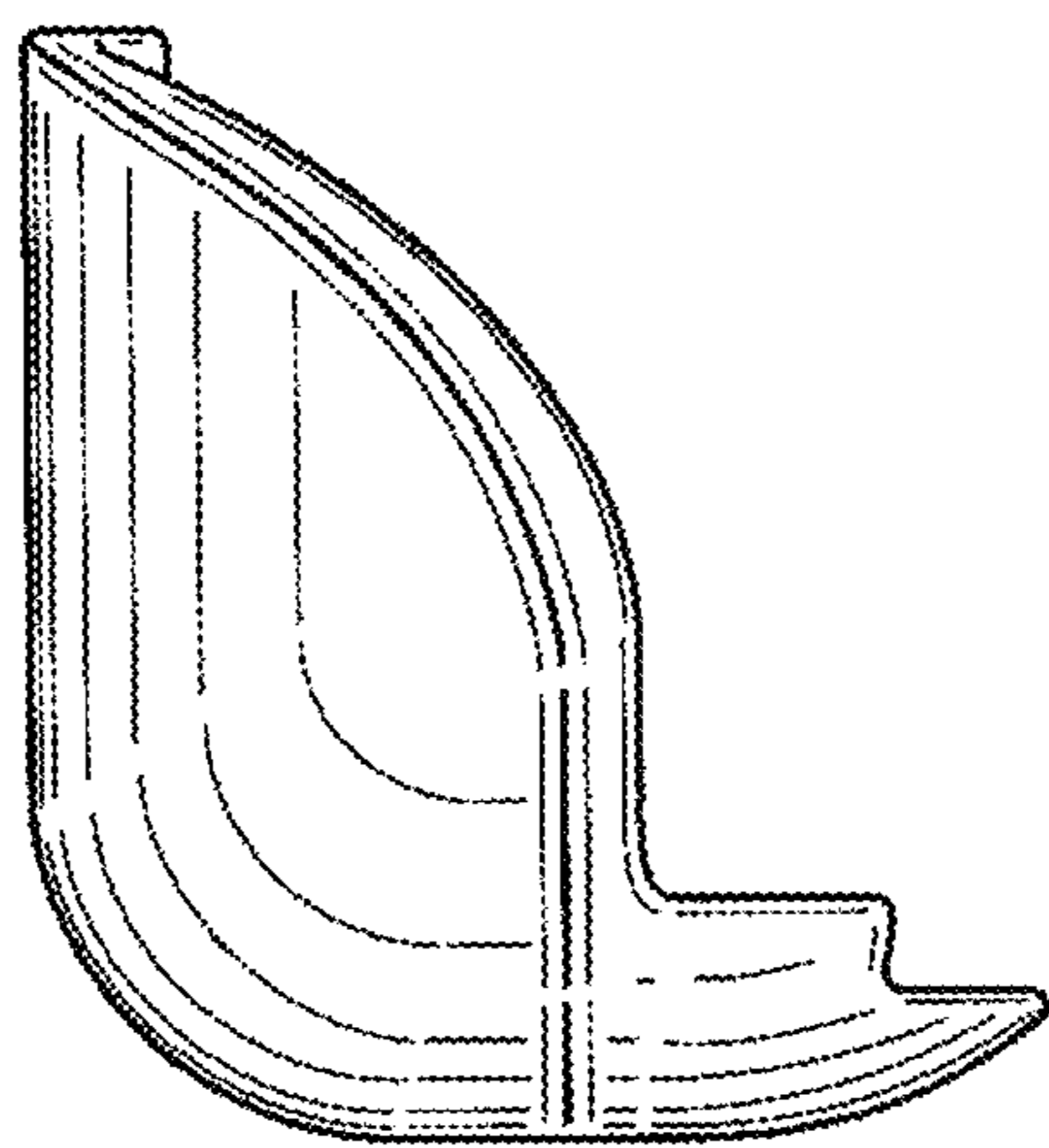


Fig. 2

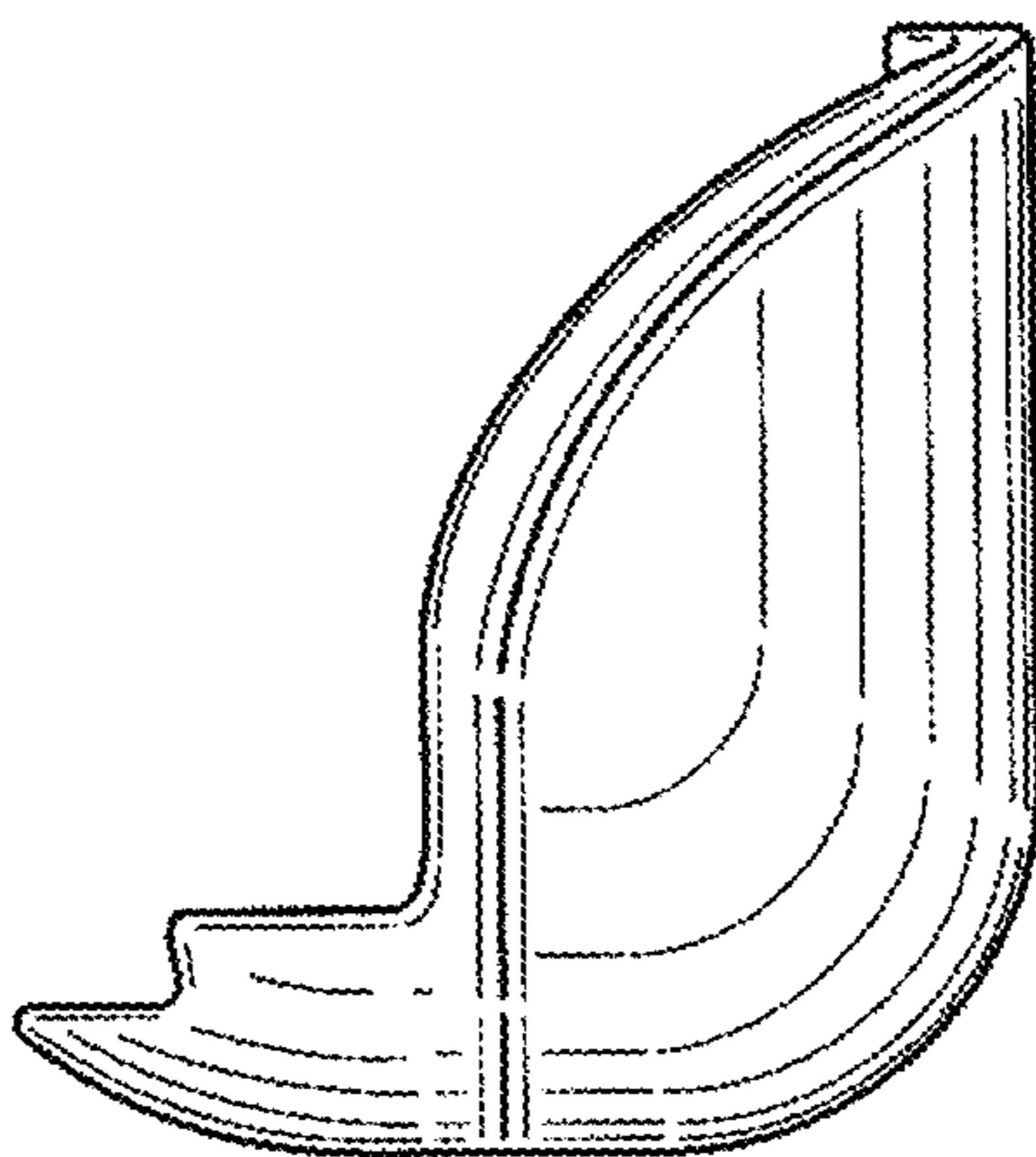


Fig. 3

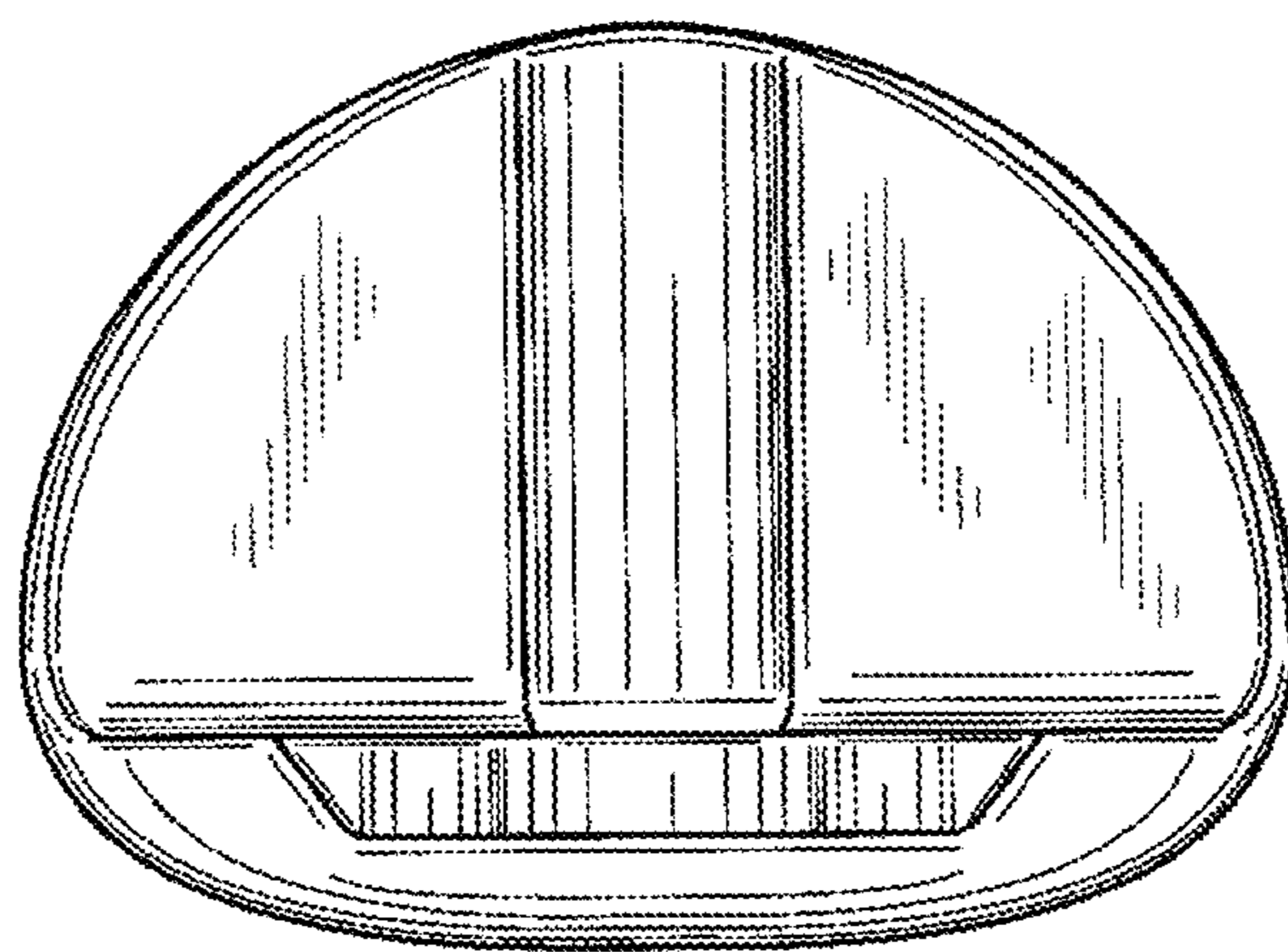


Fig. 4

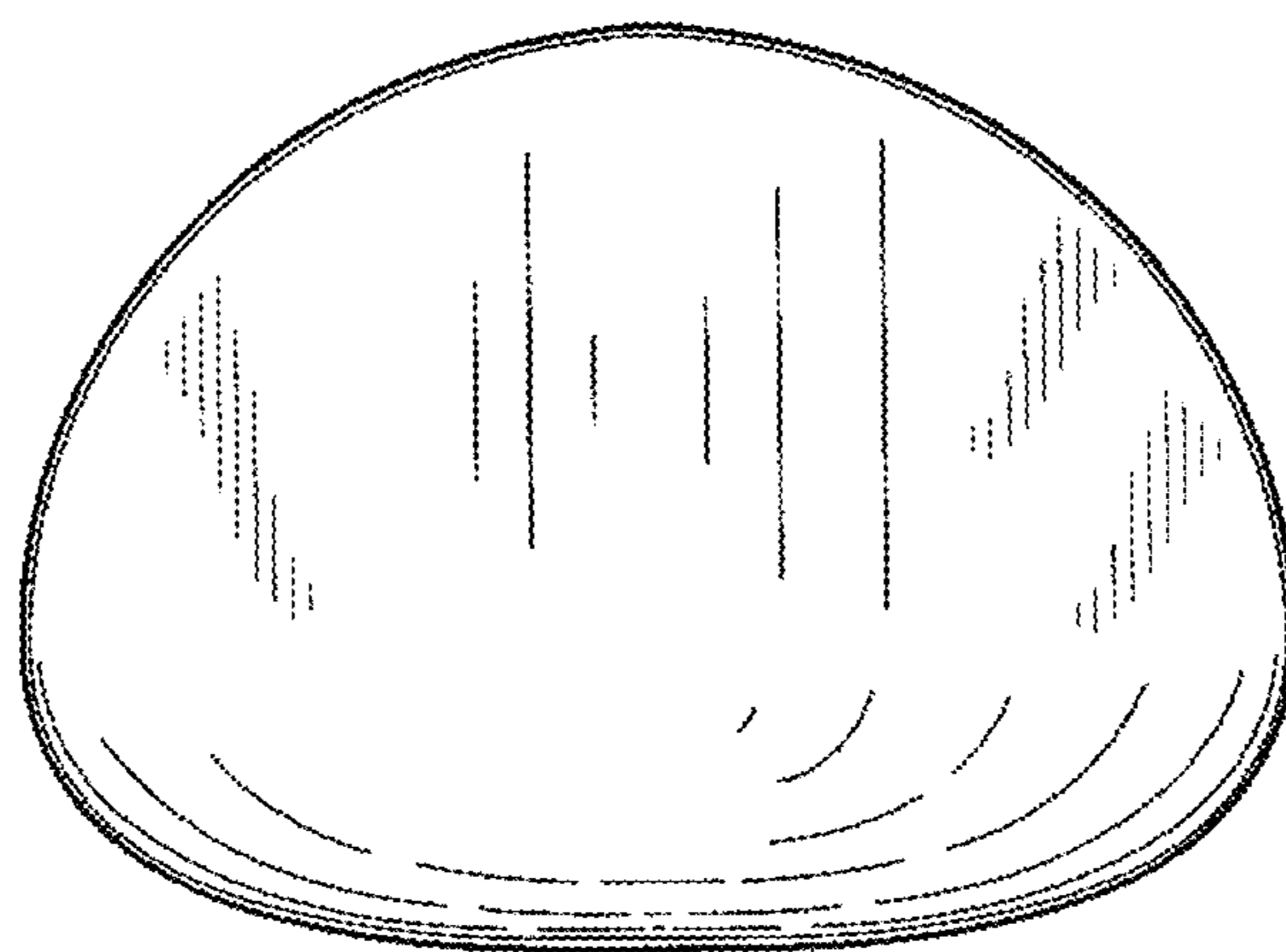


Fig. 5

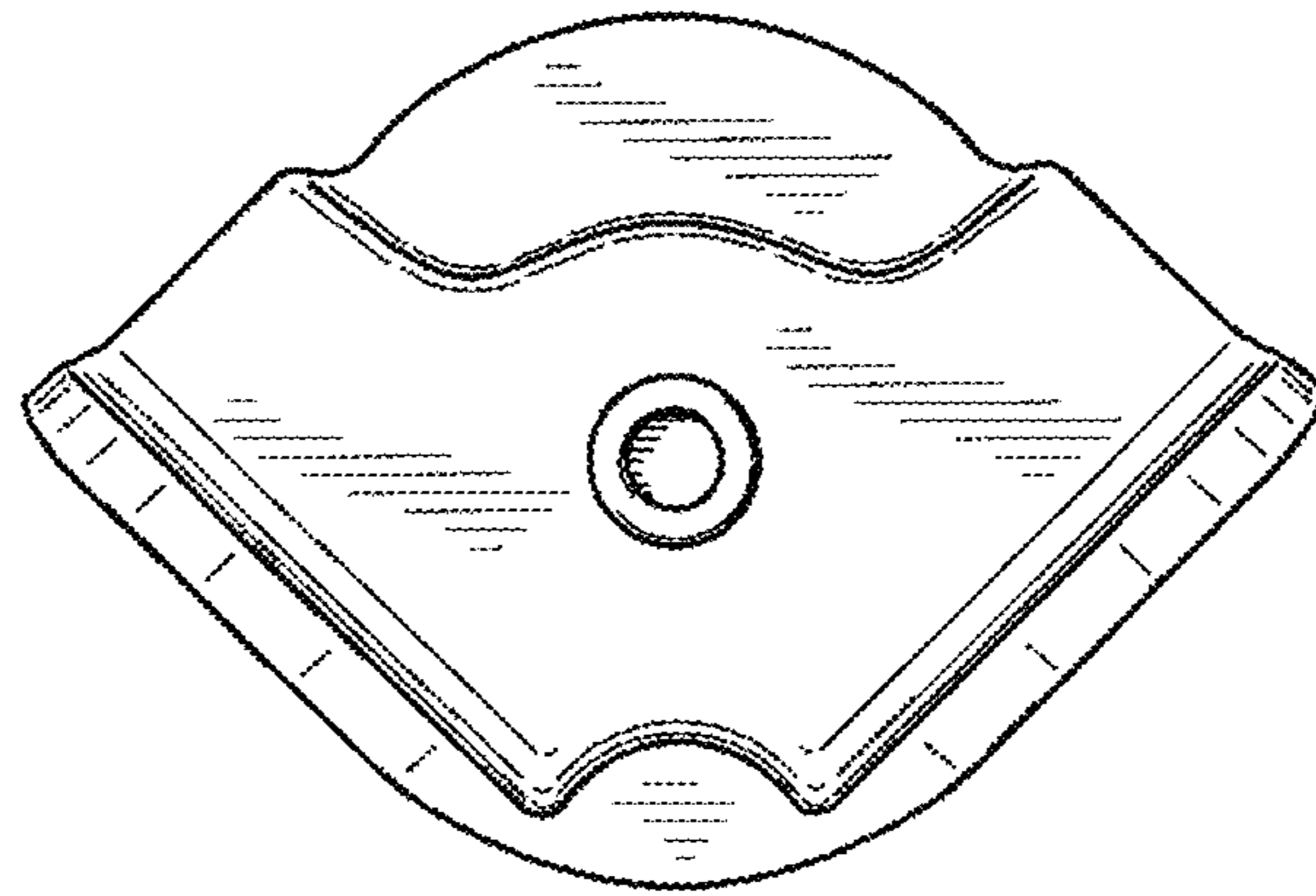


Fig. 6

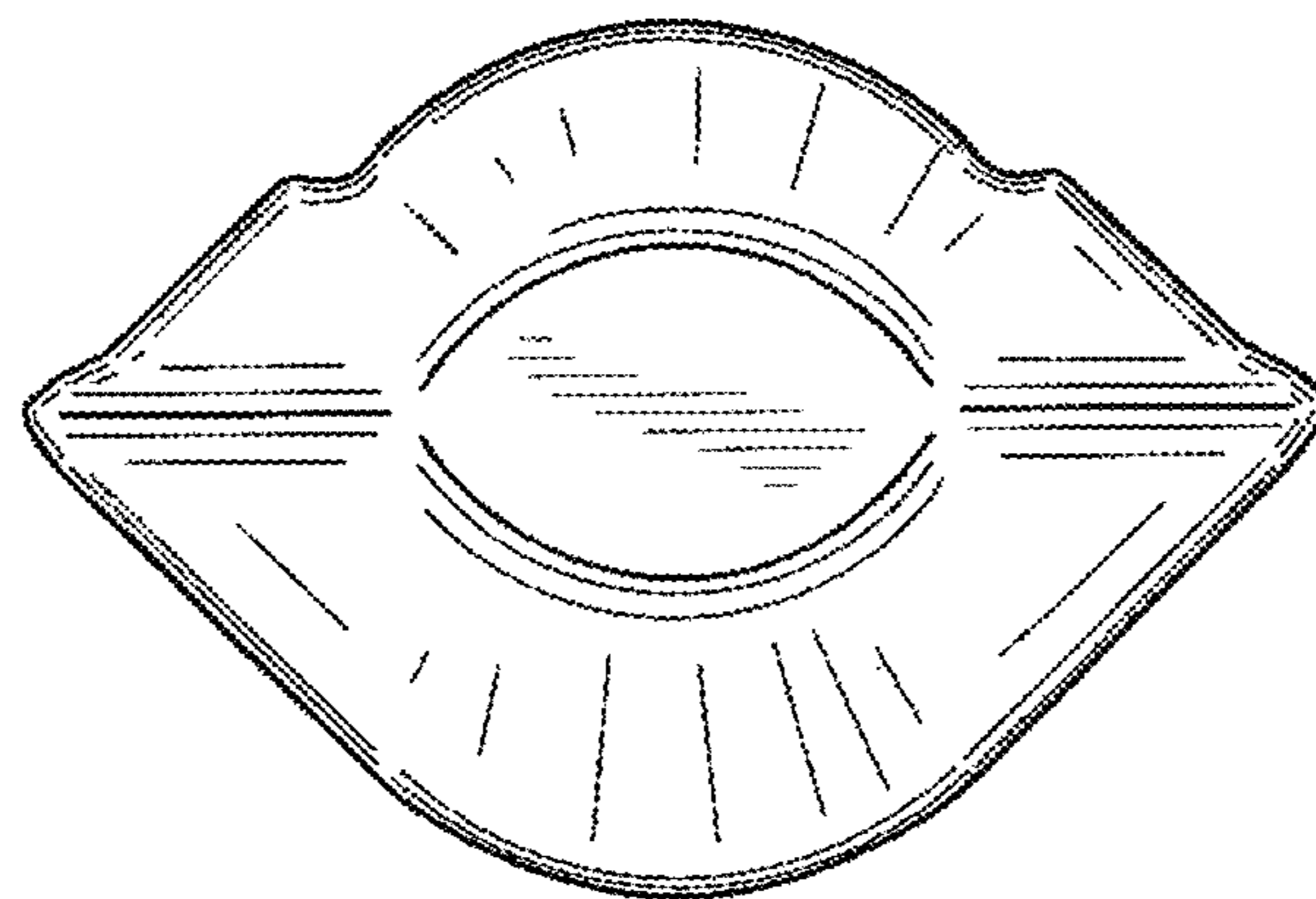


Fig. 7