



US00D783846S

(12) **United States Design Patent**  
**Goulet et al.**

(10) **Patent No.:** **US D783,846 S**

(45) **Date of Patent:** **\*\* \*Apr. 11, 2017**

(54) **SPA**

(76) Inventors: **Charles Goulet**, St-Charles de  
Drummondville (CA); **Jerome Foy**,  
Orford (CA)

(\*) Notice: This patent is subject to a terminal dis-  
claimer.

(\*\*) Term: **14 Years**

(21) Appl. No.: **29/421,181**

(22) Filed: **Jun. 8, 2012**

**Related U.S. Application Data**

(63) Continuation of application No. 29/372,372, filed on  
Nov. 12, 2010, now abandoned.

(51) **LOC (10) Cl.** ..... **24-02**

(52) **U.S. Cl.**  
USPC ..... **D24/204**

(58) **Field of Classification Search**

USPC ..... D24/201, 204, 205; D23/277, 278, 276,  
D23/280.1–280.3; 601/154–158;  
4/541.1–541.6, 547, 578.1, 579  
CPC .... A61H 33/02; A61H 33/60; A61H 33/6063;  
A61H 33/021; A61H 33/022; A61H  
33/027; A61H 33/0091; A47K 3/02;  
A47K 3/122; A47K 3/06; E04H  
2004/0068; E04H 4/0037

See application file for complete search history.

(56) **References Cited**

**U.S. PATENT DOCUMENTS**

D514,704 S \* 2/2006 Loyd ..... D24/204  
D542,416 S \* 5/2007 Larsen ..... D24/204

D600,816 S \* 9/2009 Larsen ..... D24/204  
D614,776 S \* 4/2010 Loyd ..... D24/204  
D616,106 S \* 5/2010 Larsen et al. .... D24/204  
D620,599 S \* 7/2010 Larsen et al. .... D24/204  
D621,947 S \* 8/2010 Larsen et al. .... D24/204  
D624,657 S \* 9/2010 Larsen et al. .... D24/204  
D634,019 S \* 3/2011 Larsen et al. .... D24/204  
D641,487 S \* 7/2011 Larsen et al. .... D24/204  
D683,038 S \* 5/2013 Larsen et al. .... D24/204  
D702,845 S \* 4/2014 Larsen et al. .... D24/204  
D702,846 S \* 4/2014 Larsen et al. .... D24/204

\* cited by examiner

*Primary Examiner* — David Muller

(74) *Attorney, Agent, or Firm* — Eric Fincham

(57) **CLAIM**

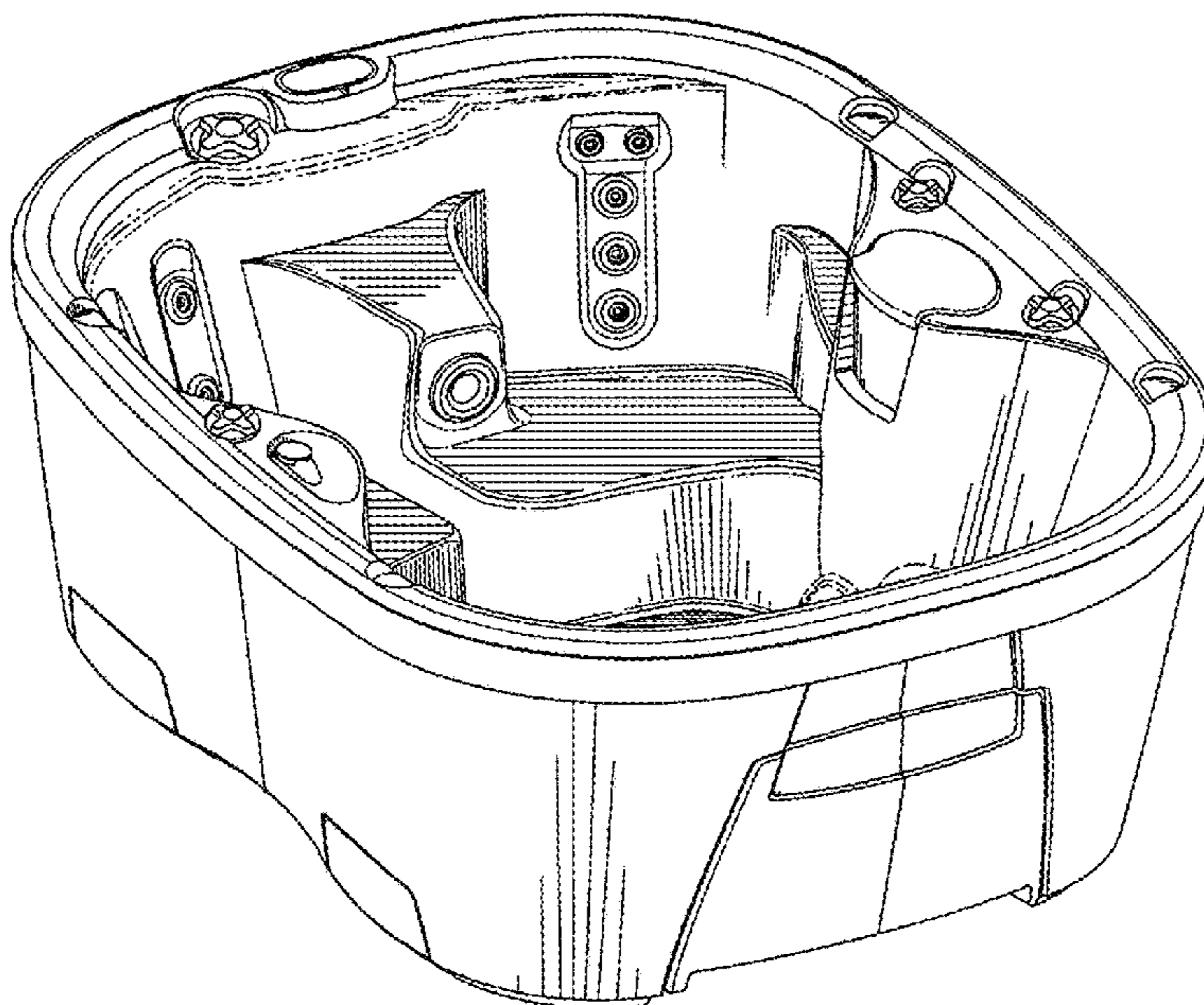
An ornamental design for a spa, as shown and described.

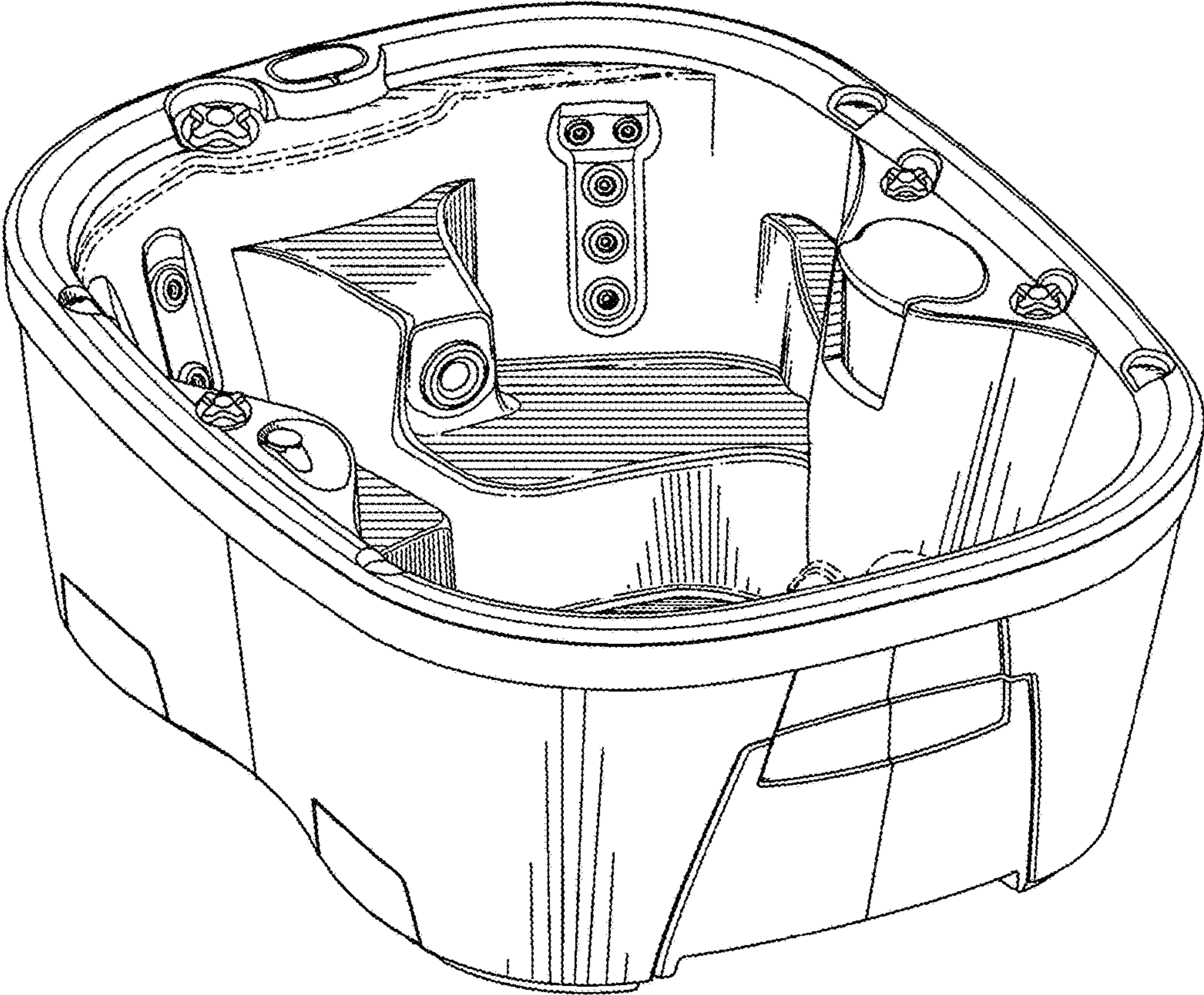
**DESCRIPTION**

FIG. 1 is a perspective view of the spa of the instant design;  
FIG. 2 is a top plan view thereof;  
FIG. 3 is a bottom plan view thereof;  
FIG. 4 is an end view thereof as seen from the right hand side  
of FIG. 1;  
FIG. 5 is a side elevational view thereof as seen from the  
bottom of FIG. 2 with the other side view being a mirror  
image thereof; and,  
FIG. 6 is an end view thereof as seen from the left hand side  
of FIG. 2.

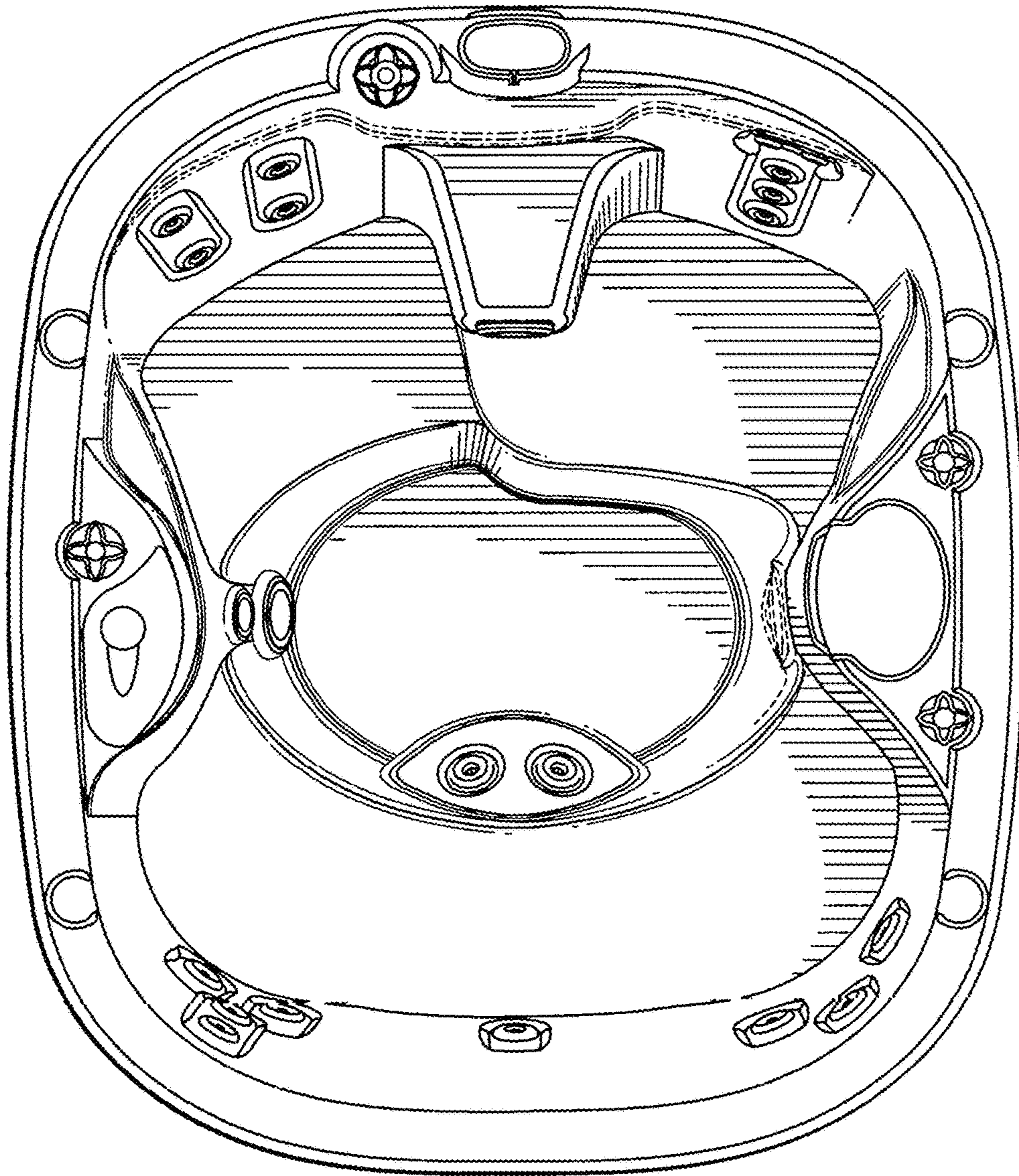
The broken line showing of parts of the drawings is included  
for the purpose of illustrating use and environment and  
forms no part of the claimed design.

**1 Claim, 4 Drawing Sheets**





**FIG. 1**



**FIG. 2**

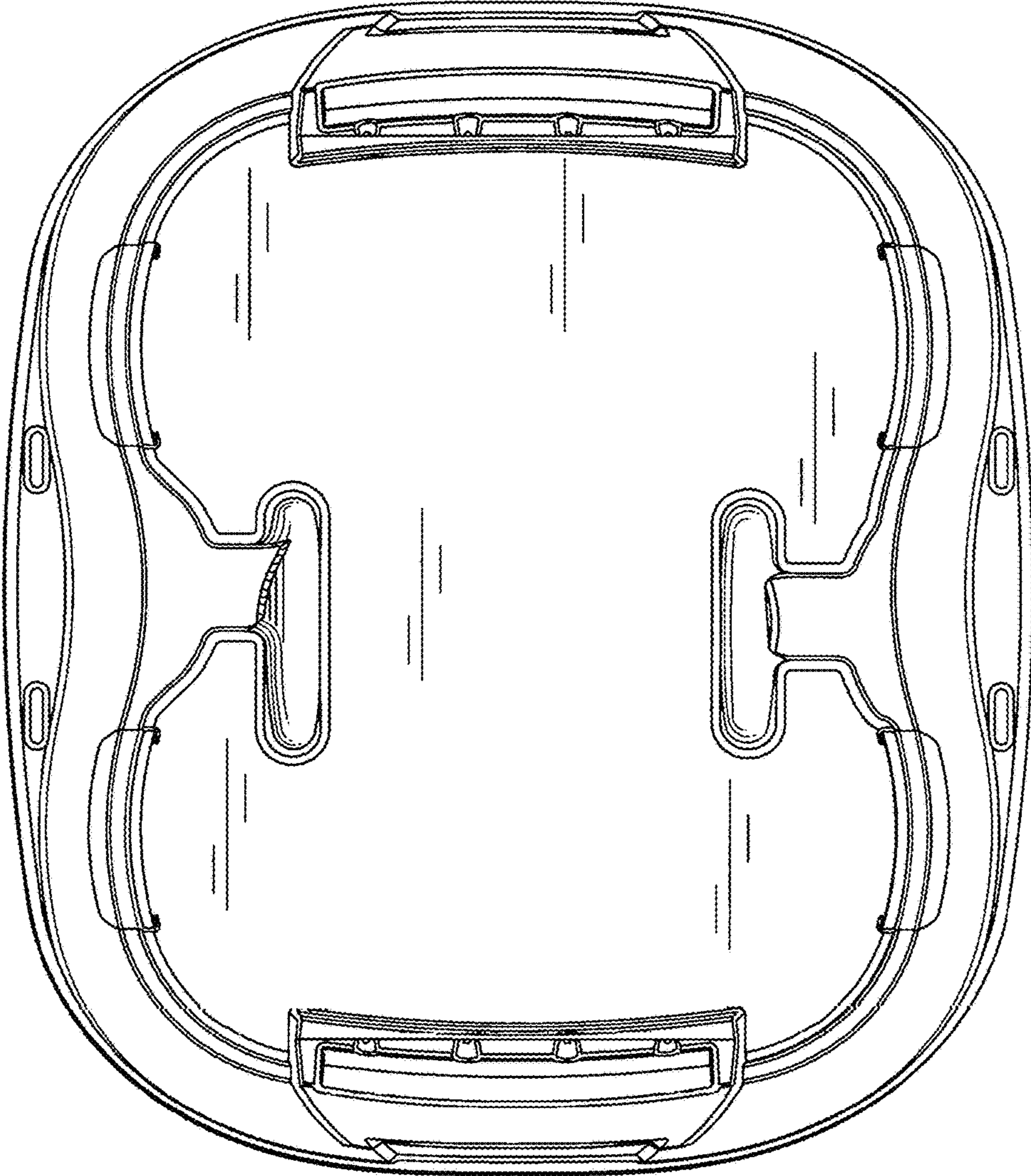
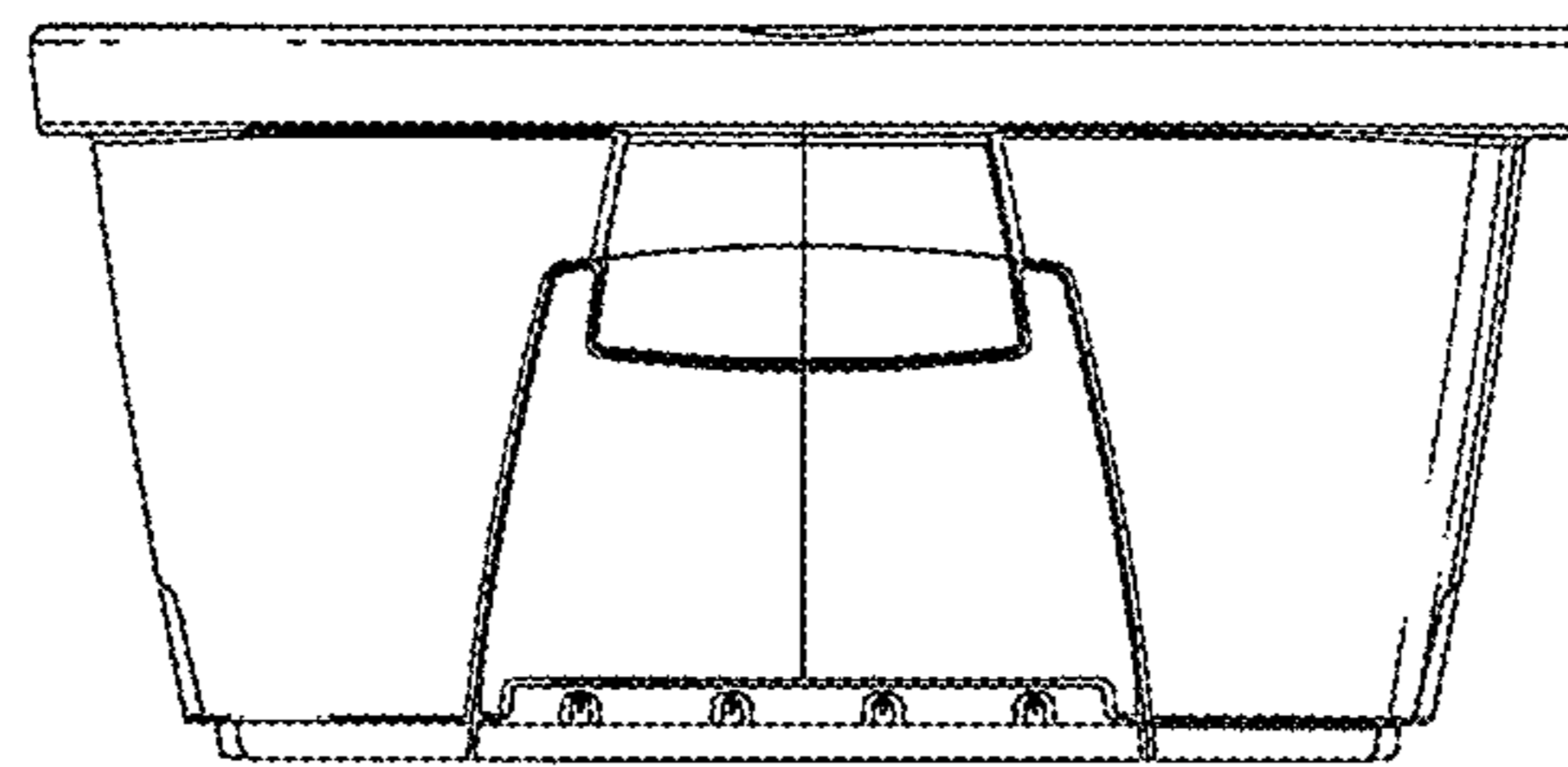
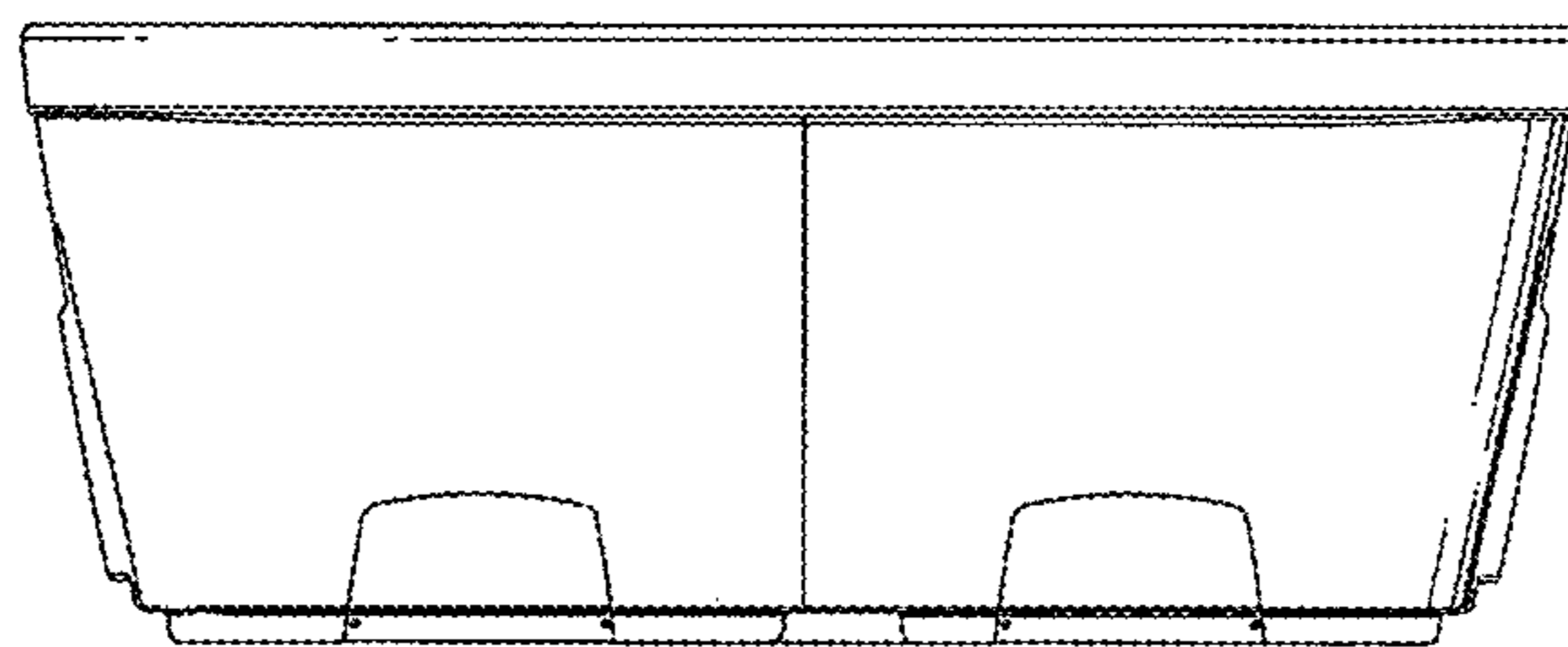


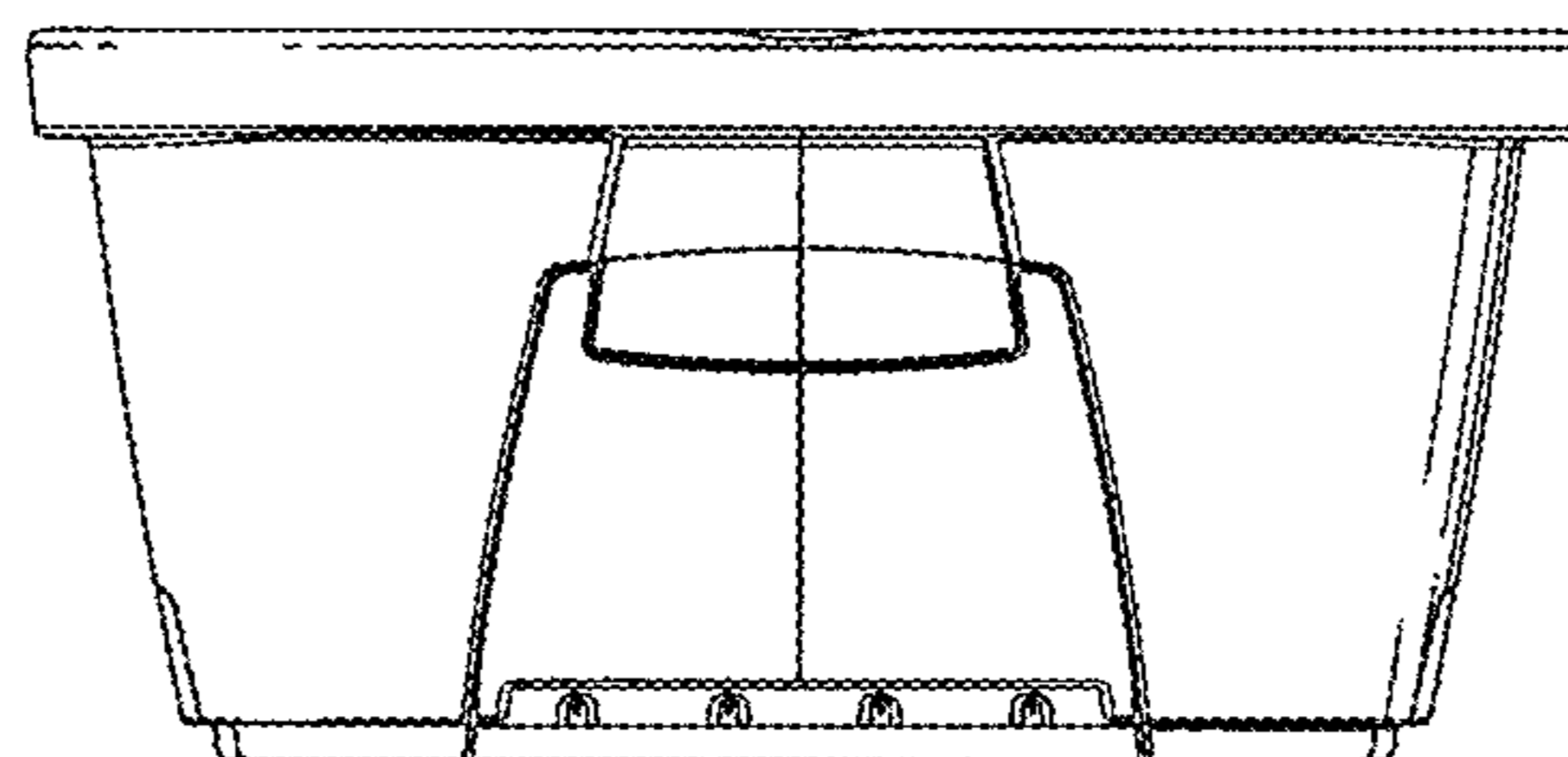
FIG. 3



**FIG. 4**



**FIG. 5**



**FIG. 6**