



US00D783845S

(12) **United States Design Patent**
Peluso

(10) **Patent No.:** **US D783,845 S**
(45) **Date of Patent:** **** Apr. 11, 2017**

- (54) **BRACER**
- (71) Applicant: **Jason M. Peluso**, Cranston, RI (US)
- (72) Inventor: **Jason M. Peluso**, Cranston, RI (US)
- (73) Assignee: **Foustar Group Inc.**, Taipei (TW)
- (**) Term: **15 Years**
- (21) Appl. No.: **29/539,184**
- (22) Filed: **Sep. 11, 2015**
- (51) **LOC (10) Cl.** **24-04**
- (52) **U.S. Cl.**
USPC **D24/190; D29/120.1**
- (58) **Field of Classification Search**
USPC D2/610, 853, 858, 860; D24/189, 190,
D24/192; D29/120.1, 121.1, 122;
D22/107
CPC A41D 13/08; A41D 13/0153; A63B 71/1225;
A63B 2071/1258; A63B 2071/1266;
A63B 71/12; A61F 2/80; A61F 2/68;
A61F 2002/701; A61F 2/60
See application file for complete search history.

8,220,072	B2 *	7/2012	Dodd	A41D 13/0153	2/22
D671,690	S *	11/2012	Brady	D29/120.1	
D739,992	S *	10/2015	Fischer	D2/610	
D744,662	S *	12/2015	Stevens	D2/614	
D749,743	S *	2/2016	O'Connor	D24/190	
D752,819	S *	3/2016	Magri	D29/120.1	
D755,398	S *	5/2016	Devito	D24/190	
9,393,479	B1 *	7/2016	Park	A63B 71/14	
2010/0083415	A1 *	4/2010	Beckford	A41D 13/08	2/16
2012/0096616	A1 *	4/2012	Fisher	A63B 71/1225	2/22
2015/0264987	A1 *	9/2015	Morin	A41D 13/0568	2/16

* cited by examiner

Primary Examiner — George D Kirschbaum
Assistant Examiner — Jennifer Watkins
(74) *Attorney, Agent, or Firm* — Salter & Michaelson

(57) **CLAIM**

The ornamental design for a bracer, as shown and described.

DESCRIPTION

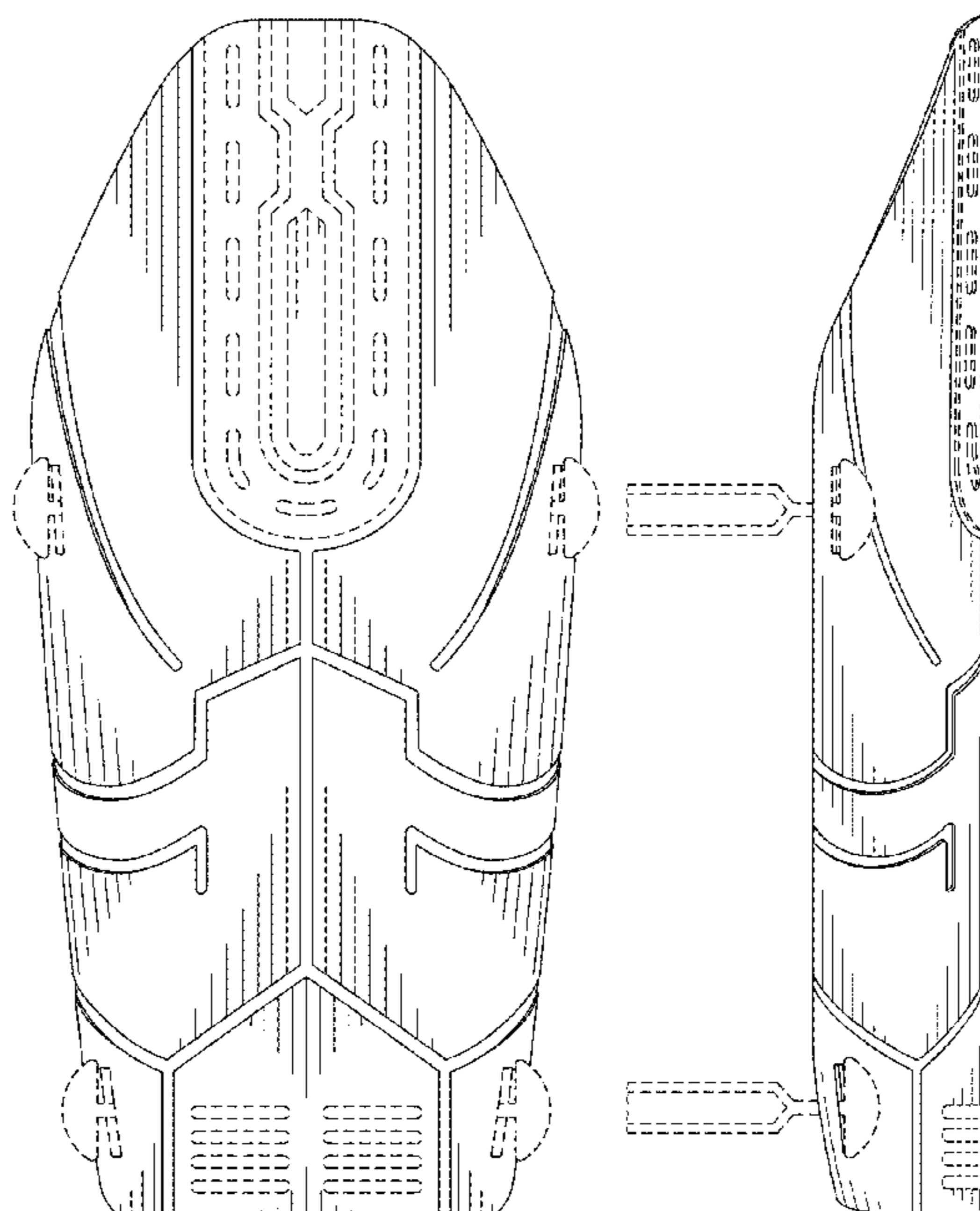
FIG. 1 is a perspective view of a bracer;
FIG. 2 is a front elevational view thereof;
FIG. 3 is a rear elevational view thereof;
FIG. 4 is a right side elevational view thereof;
FIG. 5 is a left side elevational view thereof;
FIG. 6 is a top plan view thereof;
FIG. 7 is a bottom plan view thereof; and,
FIG. 8 is a perspective view of the bracer in use.
The broken lines showing a human arm in FIG. 8 are for the purpose of illustrating environment and form no part of the claim. The broken line showing of a bracer are for the purpose of illustrating portions of the article and form no part of the claim.

(56) **References Cited**

U.S. PATENT DOCUMENTS

4,048,674	A *	9/1977	Chesnick	A41D 13/08	2/16
4,373,213	A *	2/1983	Erlandson	A41D 13/08	2/16
D453,591	S *	2/2002	Garden	D29/120.1	
7,488,349	B2 *	2/2009	Einarsson	A61F 2/78	623/32
D607,184	S *	1/2010	Tapper	D2/860	
7,937,768	B2 *	5/2011	Behrend	A41D 13/0543	2/2.5

1 Claim, 6 Drawing Sheets



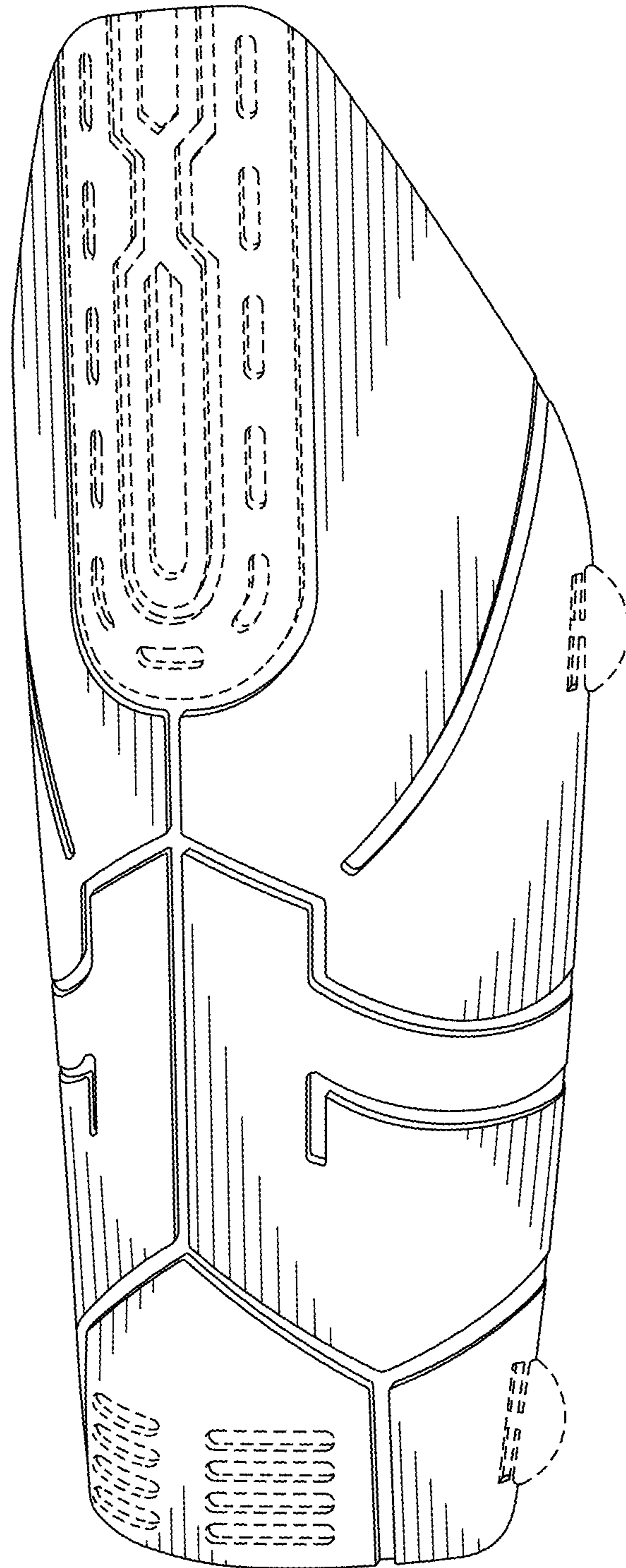


FIG. 1

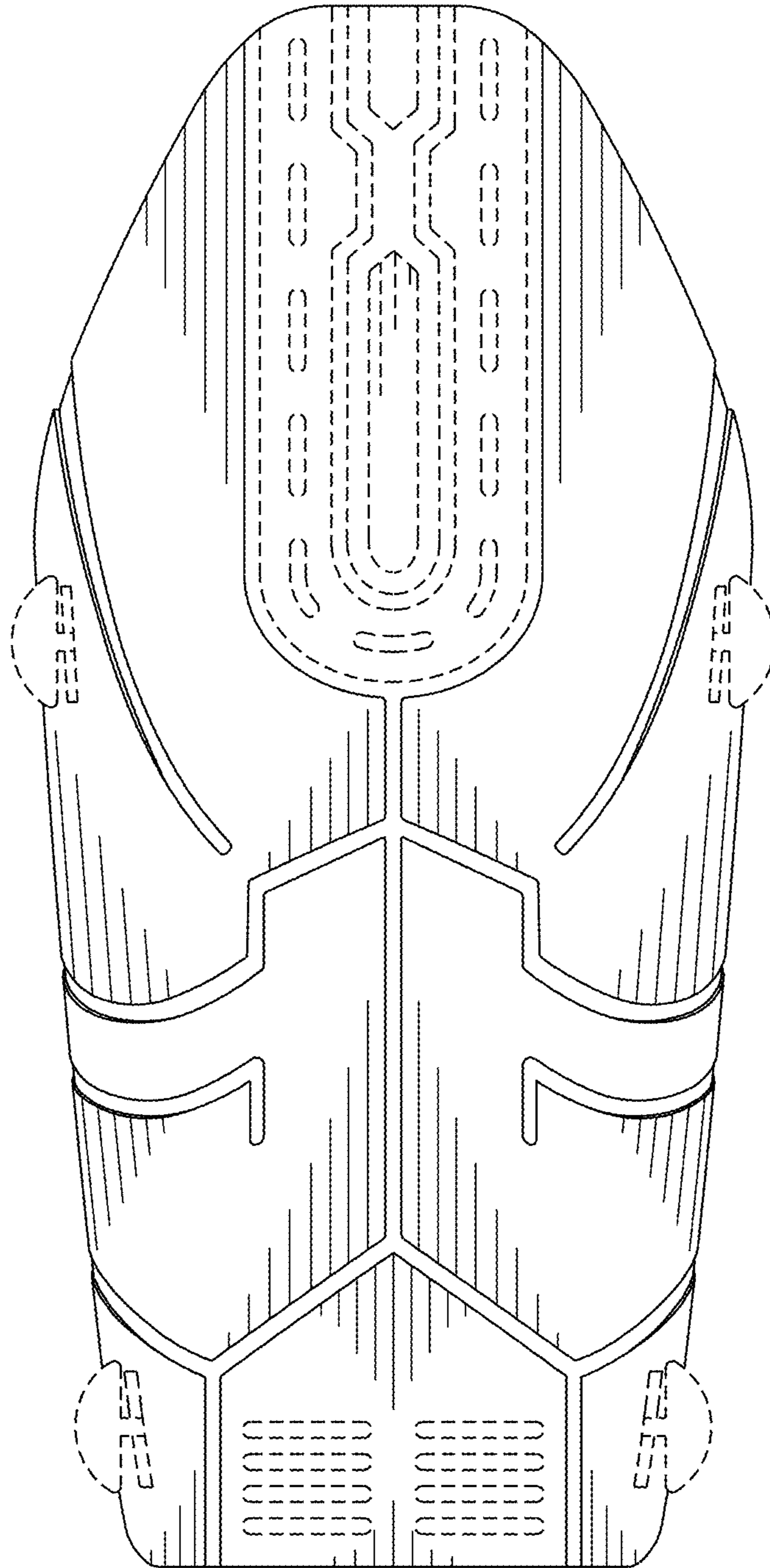


FIG. 2

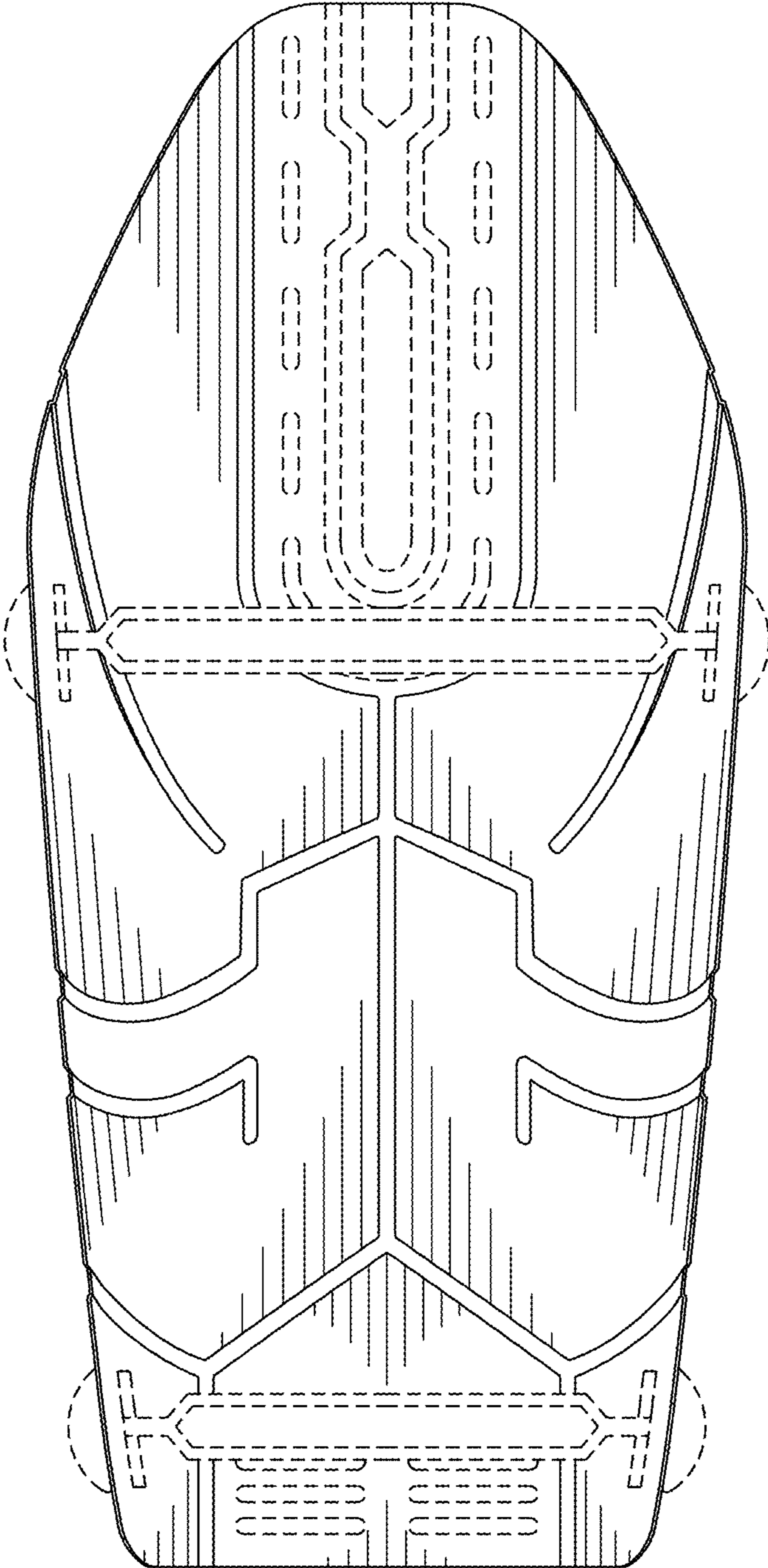


FIG. 3

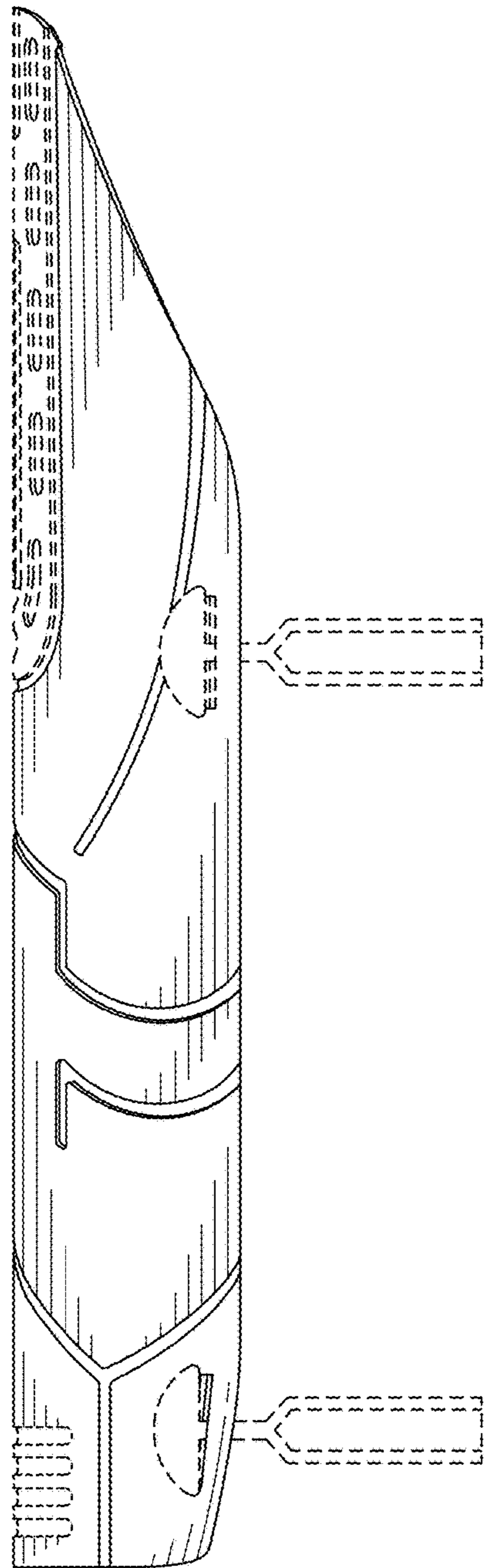


FIG. 4

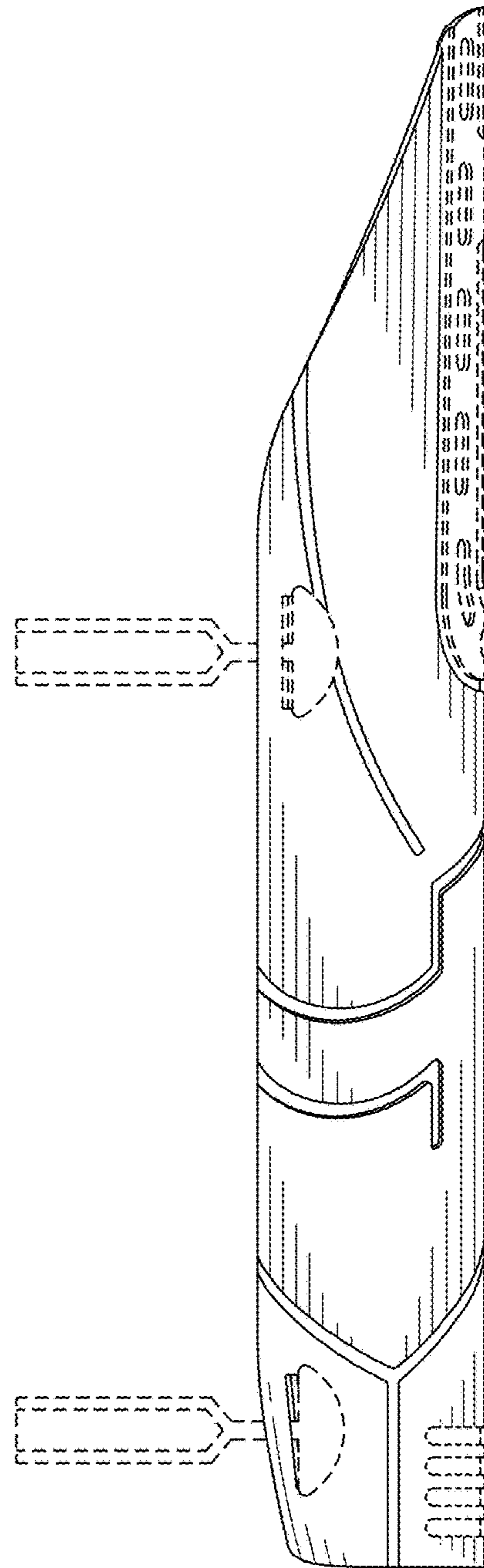


FIG. 5

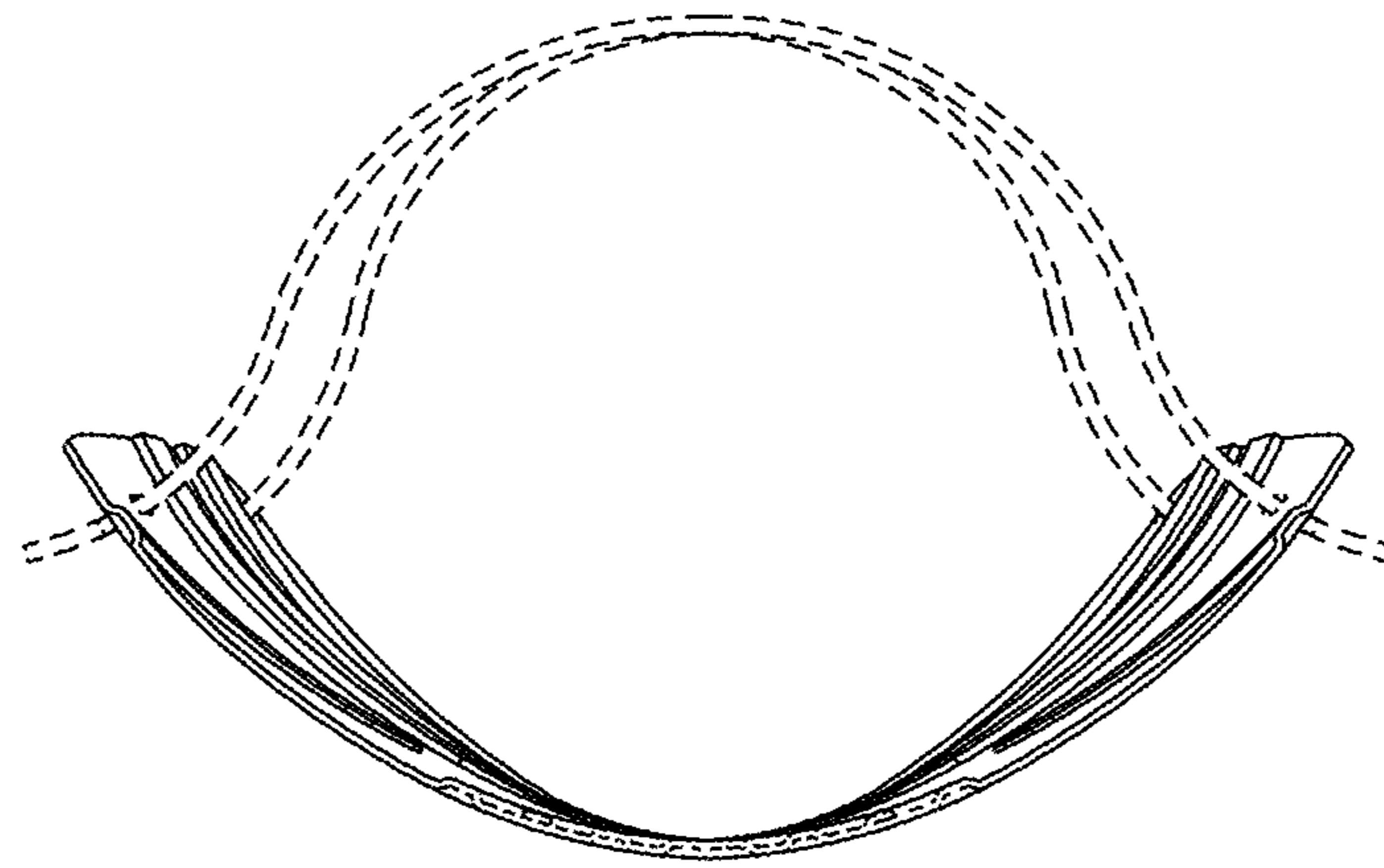


FIG. 6

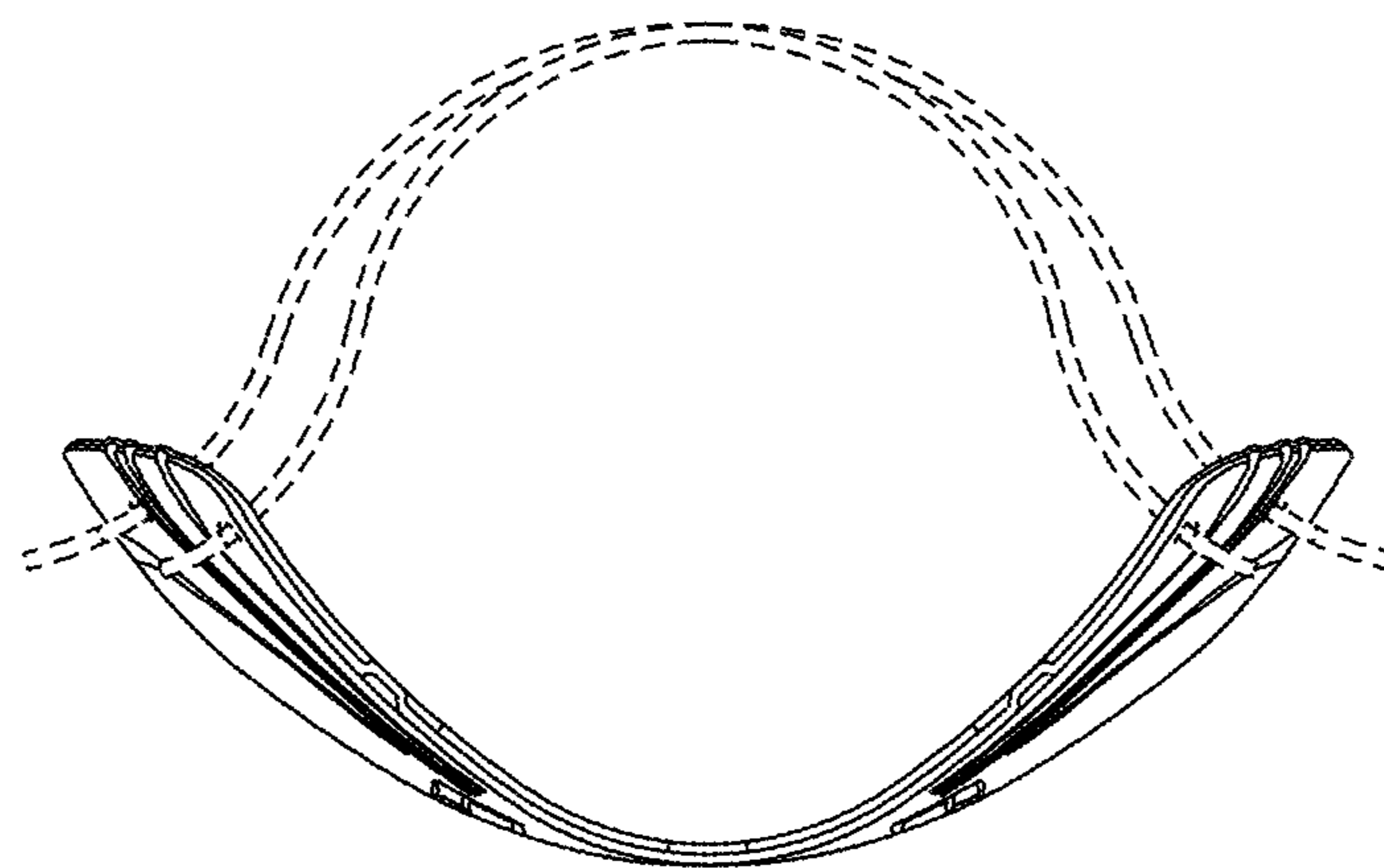


FIG. 7

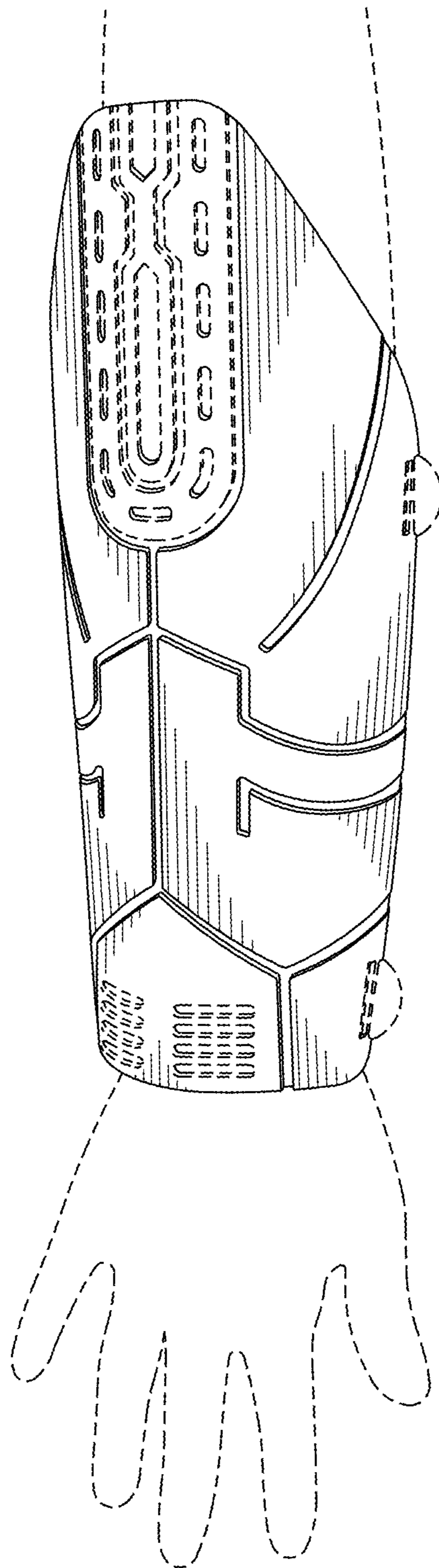


FIG. 8

UNITED STATES PATENT AND TRADEMARK OFFICE
CERTIFICATE OF CORRECTION

PATENT NO. : D783,845 S
APPLICATION NO. : 29/539184
DATED : April 11, 2017
INVENTOR(S) : Jason M. Peluso

Page 1 of 1

It is certified that error appears in the above-identified patent and that said Letters Patent is hereby corrected as shown below:

The Assignee is incorrectly listed as "Foustar Group Inc."

Please correct the Assignee to correctly read: -- Fourstar Group Inc. --

Signed and Sealed this
Seventeenth Day of October, 2017



Joseph Matal
*Performing the Functions and Duties of the
Under Secretary of Commerce for Intellectual Property and
Director of the United States Patent and Trademark Office*