



US00D783840S

(12) **United States Design Patent** (10) **Patent No.:** **US D783,840 S**
Counts et al. (45) **Date of Patent:** **** Apr. 11, 2017**

(54) **MOISTURE SHIELD WITH RELEASE LINER**

(71) Applicant: **Cenorin, LLC**, Kent, WA (US)

(72) Inventors: **Lana Kaye Counts**, Kent, WA (US);
Drew Radford, Kent, WA (US);
Gerald Anthony Arambula, Seattle, WA (US)

(73) Assignee: **Cenorin, LLC**, Kent, WA (US)

(**) Term: **14 Years**

(21) Appl. No.: **29/490,511**

(22) Filed: **May 9, 2014**

(51) **LOC (10) Cl.** **24-04**

(52) **U.S. Cl.**
USPC **D24/189**

(58) **Field of Classification Search**
USPC D24/189-192

(Continued)

(56) **References Cited**

U.S. PATENT DOCUMENTS

5,074,293 A * 12/1991 Lott A61F 13/023
206/441
5,669,899 A * 9/1997 Osborn, III A61F 13/60
604/387

(Continued)

Primary Examiner — Michael A. Pratt

Assistant Examiner — Michelle E Wilson

(74) *Attorney, Agent, or Firm* — Perkins Coie LLP

(57) **CLAIM**

The ornamental design for a moisture shield with release liner, as shown and described.

DESCRIPTION

FIG. 1 is an isometric view of an embodiment of a moisture shield with release liner showing our new design, as viewed from the front, top, and right side.

FIG. 2 is an isometric view of the moisture shield with release liner shown in FIG. 1, as viewed from the back, bottom, and left side.

FIG. 3 is a front profile view of the moisture shield with release liner shown in FIG. 1.

FIG. 4 is a back profile view of the moisture shield with release liner shown in FIG. 1.

FIG. 5 is a right edge profile view of the moisture shield with release liner shown in FIG. 1. FIG. 5 also represents a left edge profile view, a top edge profile view, and a bottom edge profile view of the moisture shield with release liner shown in FIG. 1.

FIG. 6 is an enlarged cross-sectional view taken along line 6-6 designated in FIG. 3.

FIG. 7 is an isometric view of another embodiment of a moisture shield with release liner showing our new design, as viewed from the front, top, and right side.

FIG. 8 is an isometric view of the moisture shield with release liner shown in FIG. 7, as viewed from the back, bottom, and left side.

FIG. 9 is a front profile view of the moisture shield with release liner shown in FIG. 7.

FIG. 10 is a back profile view of the moisture shield with release liner shown in FIG. 7.

FIG. 11 is a right edge profile view of the moisture shield with release liner shown in FIG. 7. FIG. 11 also represents a left edge profile view, a top edge profile view, and a bottom edge profile view of the moisture shield with release liner shown in FIG. 7.

FIG. 12 is an enlarged cross-sectional view taken along line 12-12 designated in FIG. 9.

FIG. 13 is an isometric view of another embodiment of a moisture shield with release liner showing our new design, as viewed from the front, top, and right side.

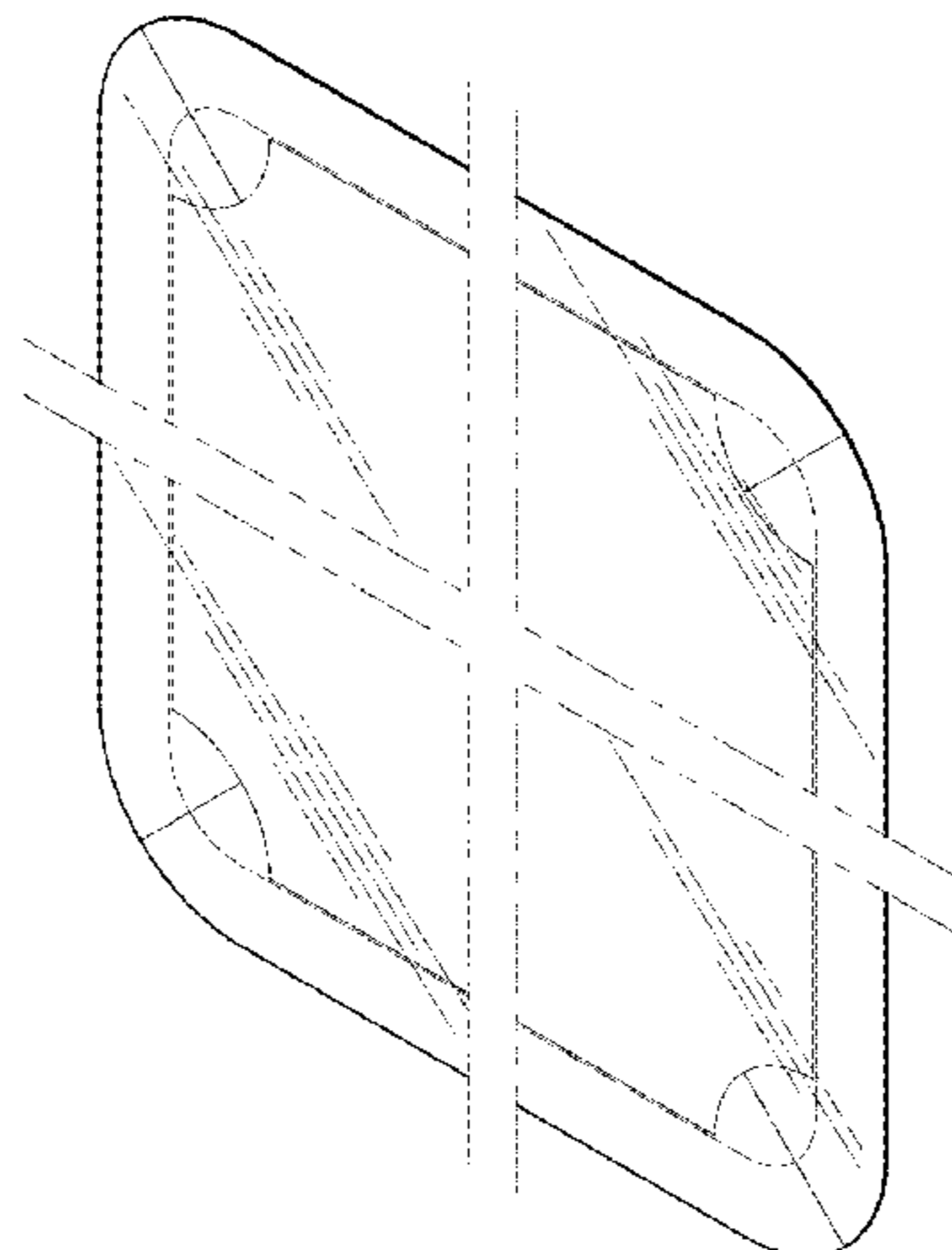
FIG. 14 is an isometric view of the moisture shield with release liner shown in FIG. 13, as viewed from the back, bottom, and left side.

FIG. 15 is a front profile view of the moisture shield with release liner shown in FIG. 13.

FIG. 16 is a back profile view of the moisture shield with release liner shown in FIG. 13.

FIG. 17 is a right edge profile view of the moisture shield with release liner shown in FIG. 13. FIG. 17 also represents

(Continued)



a left edge profile view, a top edge profile view, and a bottom edge profile view of the moisture shield with release liner shown in FIG. 13.

FIG. 18 is an enlarged cross-sectional view taken along line 18-18 designated in FIG. 15.

FIG. 19 is an isometric view of another embodiment of a moisture shield with release liner showing our new design, as viewed from the front, top, and right side.

FIG. 20 is an isometric view of the moisture shield with release liner shown in FIG. 19, as viewed from the back, bottom, and left side.

FIG. 21 is a front profile view of the moisture shield with release liner shown in FIG. 19.

FIG. 22 is a back profile view of the moisture shield with release liner shown in FIG. 19.

FIG. 23 is a right edge profile view of the moisture shield with release liner shown in FIG. 19. FIG. 23 also represents a left edge profile view, a top edge profile view, and a bottom edge profile view of the moisture shield with release liner shown in FIG. 19; and,

FIG. 24 is an enlarged cross-sectional view taken along line 24-24 designated in FIG. 19.

The double broken lines in FIGS. 1-4, 6-10, 12-16, 18-22 and 24 indicate that length and width form no part of the claimed design. The double broken lines in FIGS. 5, 11, 17 and 23 indicate that length forms no part of the claimed design. The single broken lines in FIGS. 6, 12, 18 and 24 indicate truncation in the corresponding depictions of the claimed design.

1 Claim, 8 Drawing Sheets

(58) Field of Classification Search

CPC A61K 9/0014; A61K 47/00; A61L 26/00; A61F 13/023; A61F 13/8405; A61F 5/443; A61N 1/046; A61N 1/0492; B29C 33/68; C09J 7/02; C09D 183/06
See application file for complete search history.

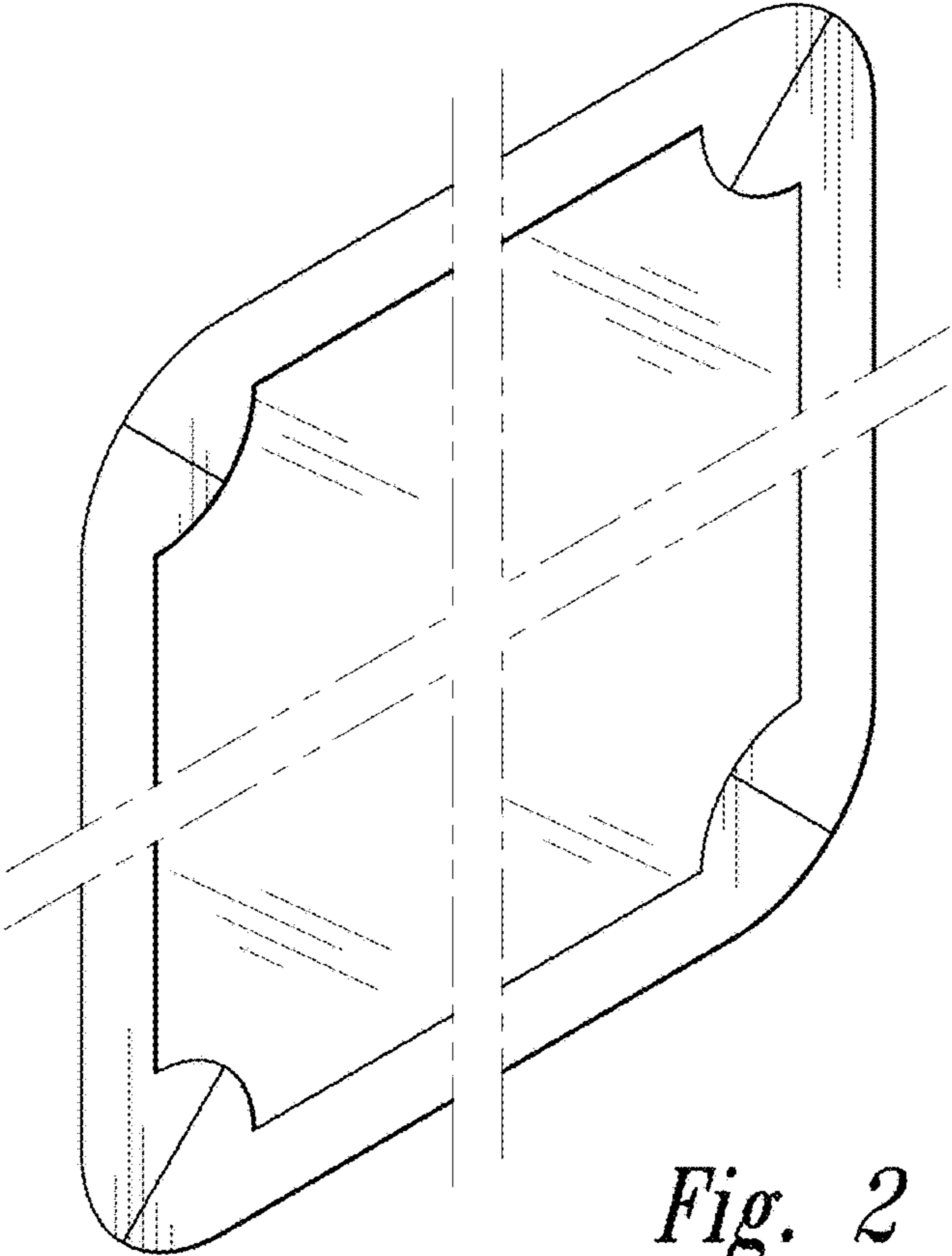
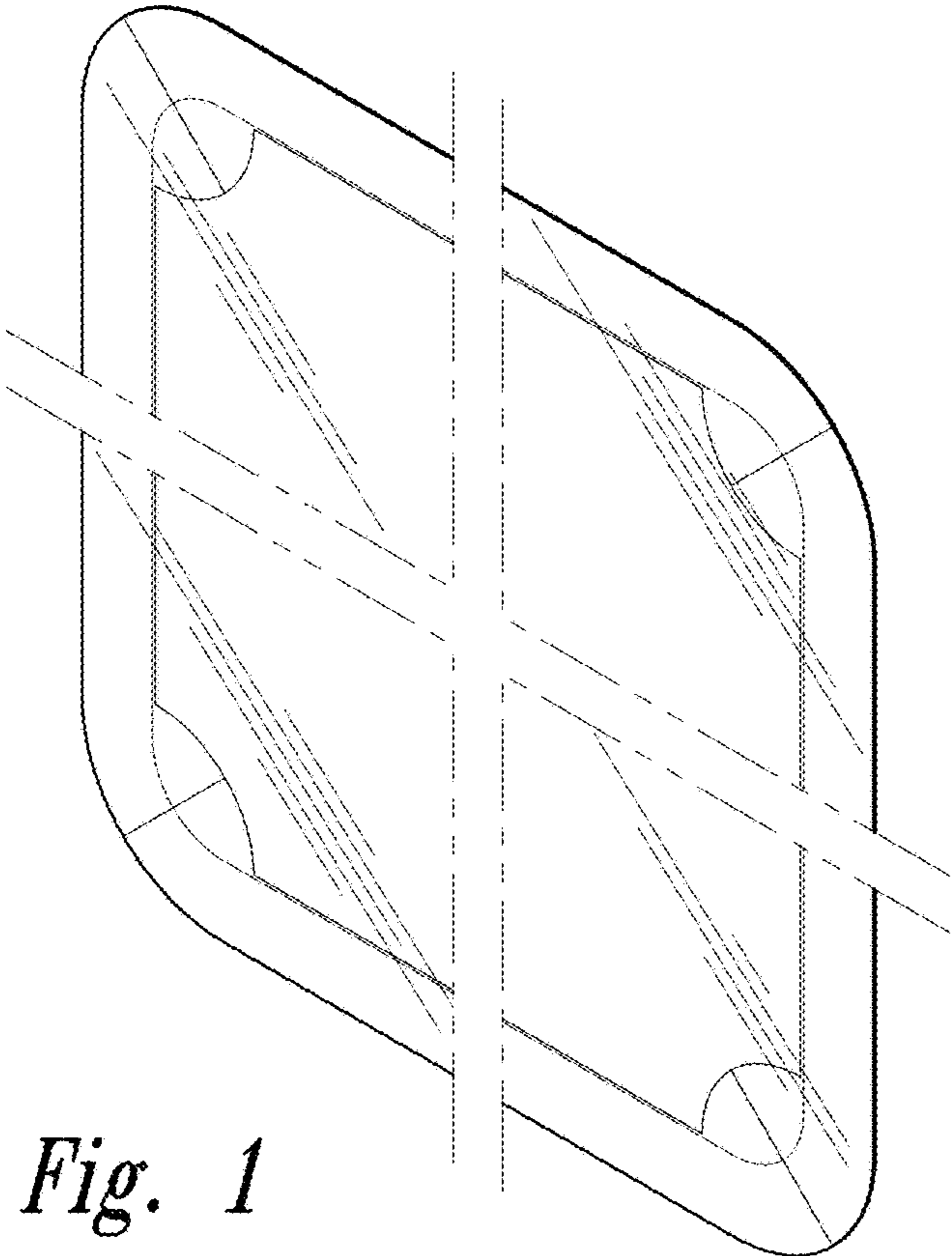
(56) References Cited

U.S. PATENT DOCUMENTS

5,709,931 A * 1/1998 Baumgardner B29C 33/68
428/218
D473,947 S * 4/2003 Jacobson D24/189

6,641,910 B1 * 11/2003 Bries C09J 7/02
248/205.3
D484,601 S * 12/2003 Griffiths D24/189
D484,602 S * 12/2003 Mertz D24/189
D561,837 S * 2/2008 McCarthy D19/99
D625,018 S * 10/2010 Smith D24/189
D683,858 S * 6/2013 Smith D24/189
D691,730 S * 10/2013 Smith D24/189
8,563,800 B2 * 10/2013 Smith A61F 13/0203
128/888
D693,010 S * 11/2013 Mosa D24/189
D694,892 S * 12/2013 Chan D24/189
D697,216 S * 1/2014 Chan D24/189
D707,829 S * 6/2014 Chan D24/189
D708,751 S * 7/2014 Chan D24/189
D712,046 S * 8/2014 Igwebuike D24/189
D712,047 S * 8/2014 Igwebuike D24/189
D712,545 S * 9/2014 Igwebuike D24/189
D712,546 S * 9/2014 Igwebuike D24/189
D712,547 S * 9/2014 Igwebuike D24/189
D712,548 S * 9/2014 Igwebuike D24/189
D712,549 S * 9/2014 Igwebuike D24/189
D712,550 S * 9/2014 Igwebuike D24/189
D712,551 S * 9/2014 Igwebuike D24/189
D712,552 S * 9/2014 Igwebuike D24/189
D712,553 S * 9/2014 Igwebuike D24/189
D712,554 S * 9/2014 Igwebuike D24/189
D722,699 S * 2/2015 Riesinger D24/189
D723,175 S * 2/2015 Igwebuike D24/189
D723,176 S * 2/2015 Igwebuike D24/189
D723,177 S * 2/2015 Igwebuike D24/189
D723,702 S * 3/2015 Igwebuike D24/189
D723,703 S * 3/2015 Igwebuike D24/189
D723,704 S * 3/2015 Igwebuike D24/189
D729,391 S * 5/2015 Igwebuike D24/189
D729,392 S * 5/2015 Igwebuike D24/189
D737,986 S * 9/2015 Arbesman D24/189
2003/0055478 A1 * 3/2003 Lyster A61N 1/046
607/142
2004/0101679 A1 * 5/2004 Mertz C09D 183/06
428/355 RA
2008/0147028 A1 * 6/2008 Luna A61F 13/8405
604/359
2010/0094388 A1 * 4/2010 Hauge A61N 1/0492
607/142
2010/0217215 A1 * 8/2010 Lykke A61F 5/443
604/344
2010/0228332 A1 * 9/2010 Hauge A61N 1/046
607/142

* cited by examiner



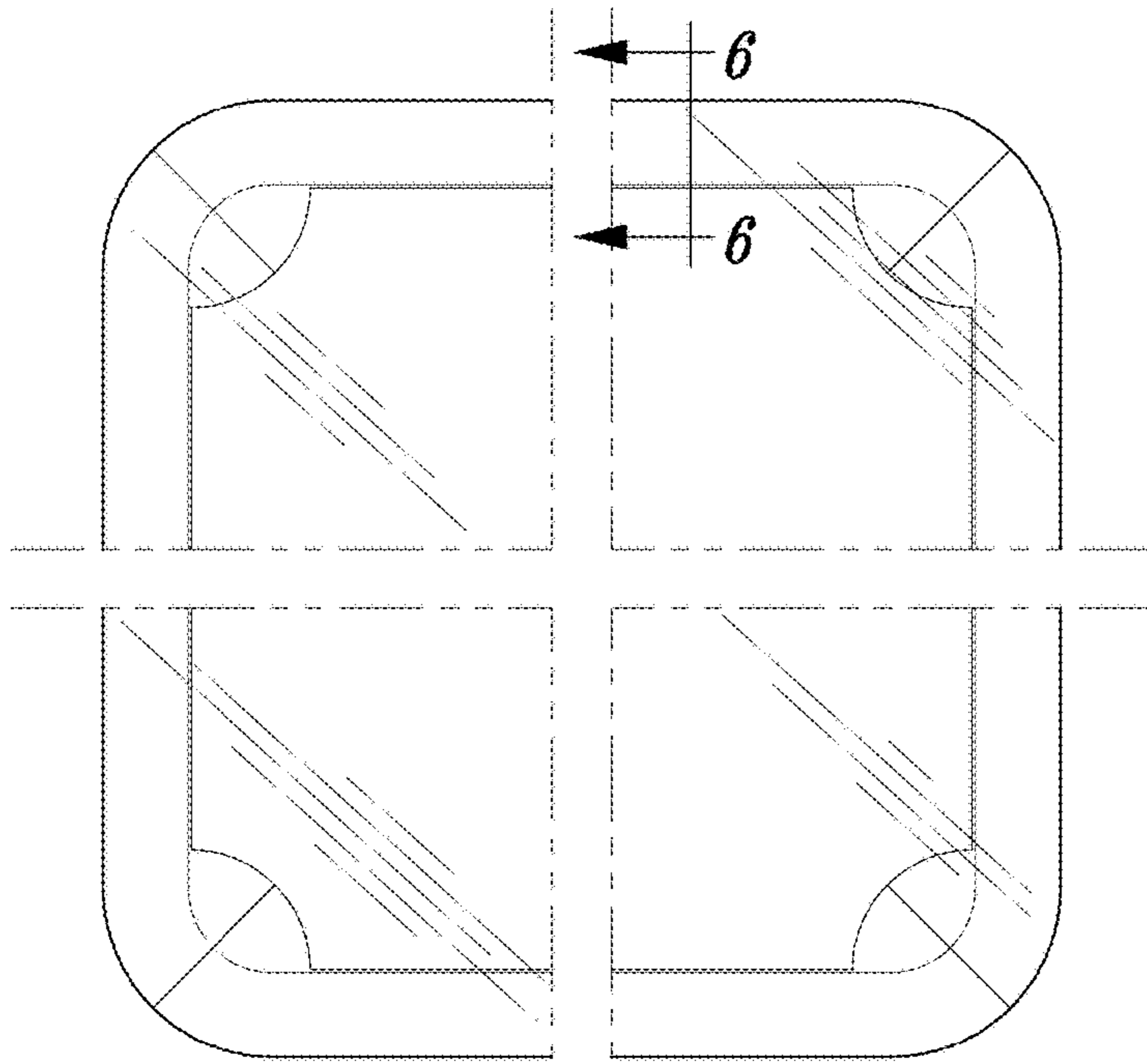


Fig. 3

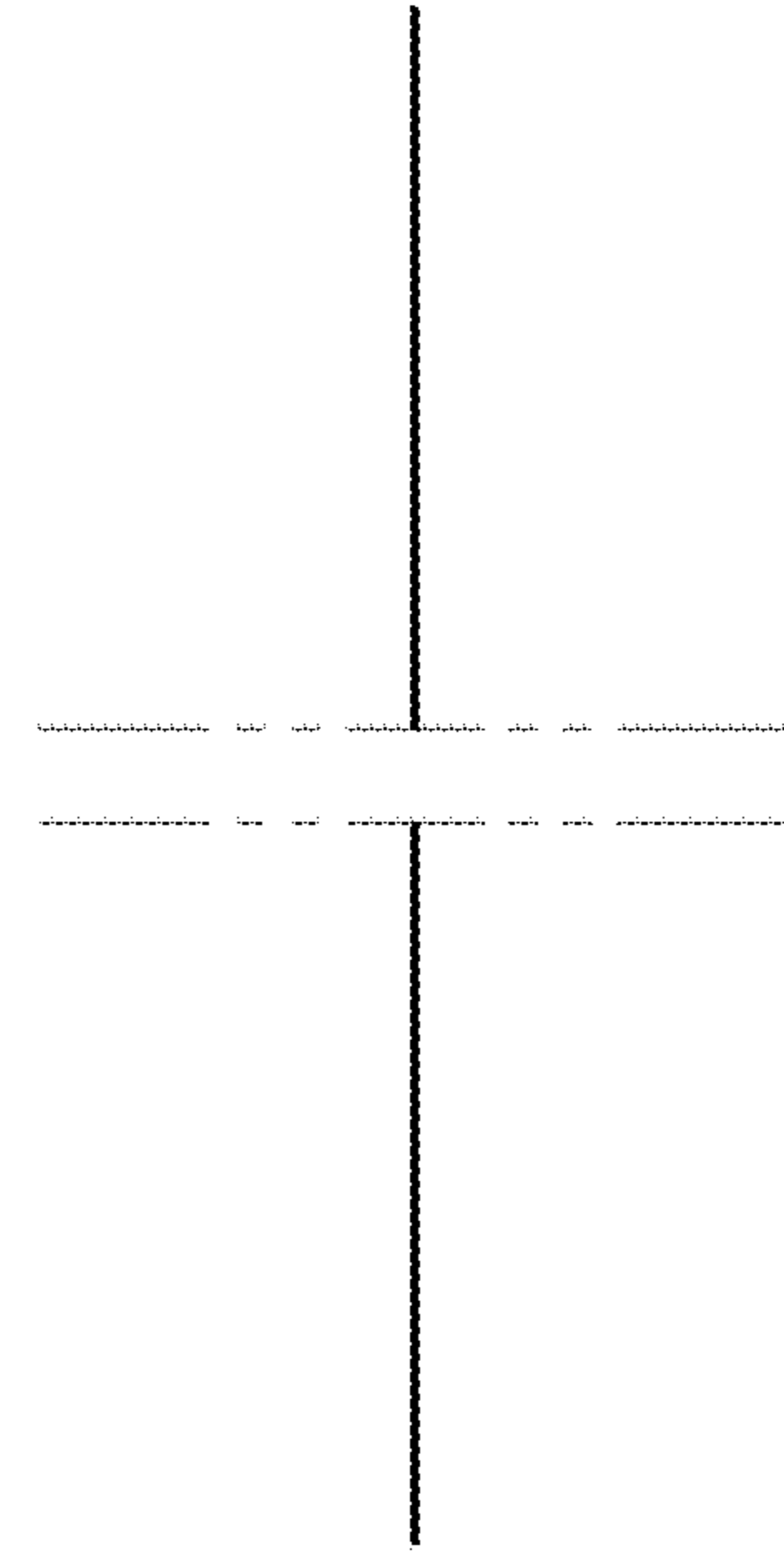


Fig. 5

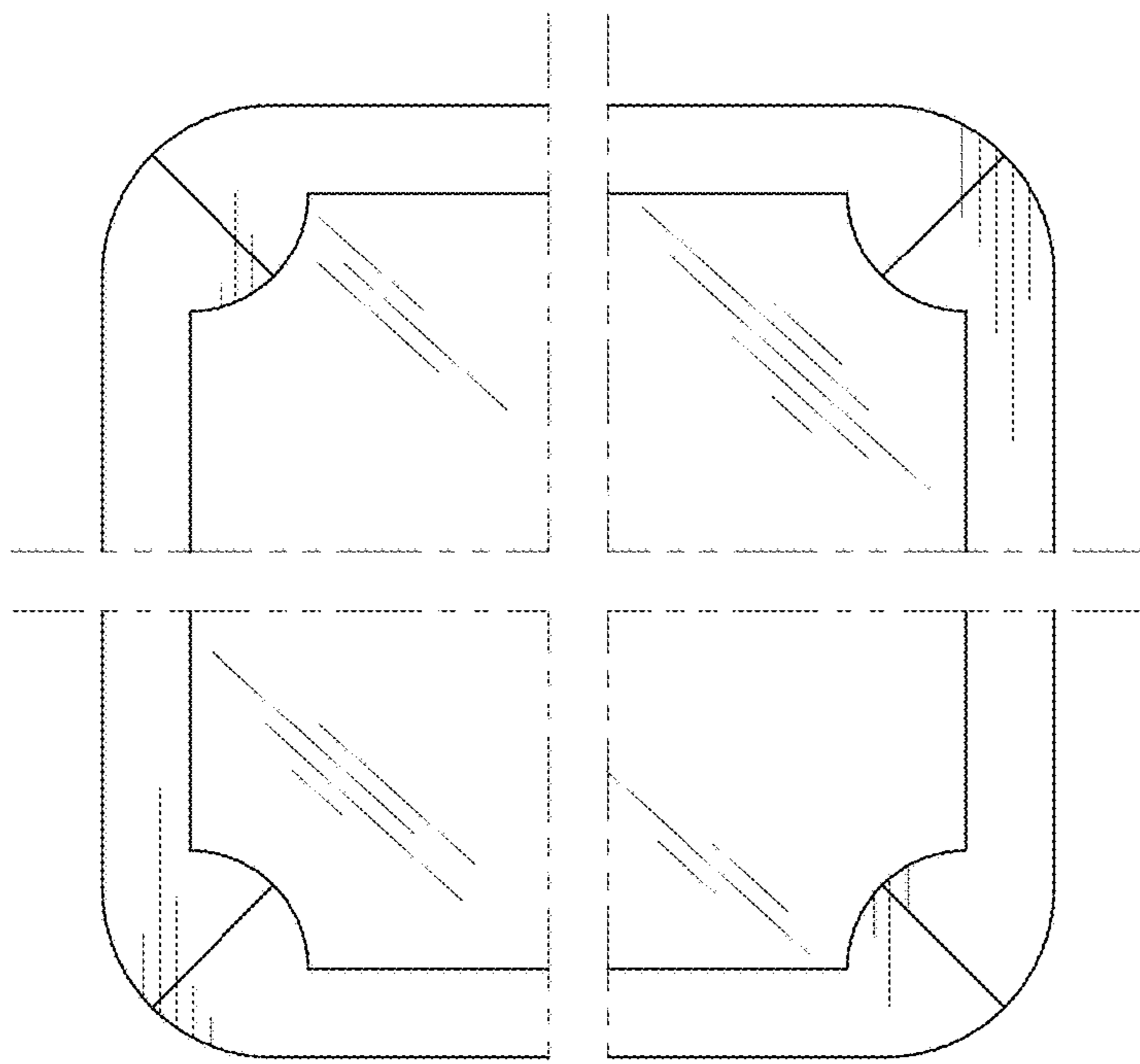


Fig. 4

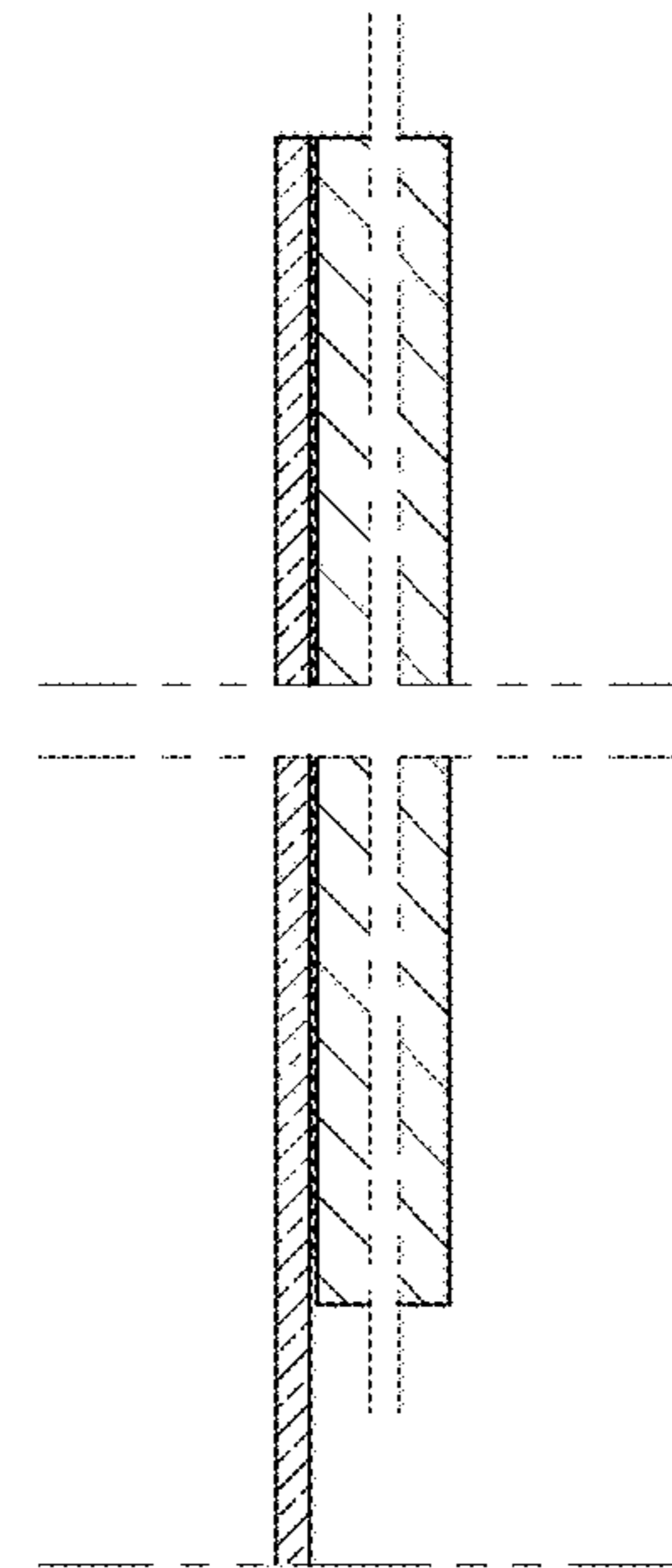


Fig. 6

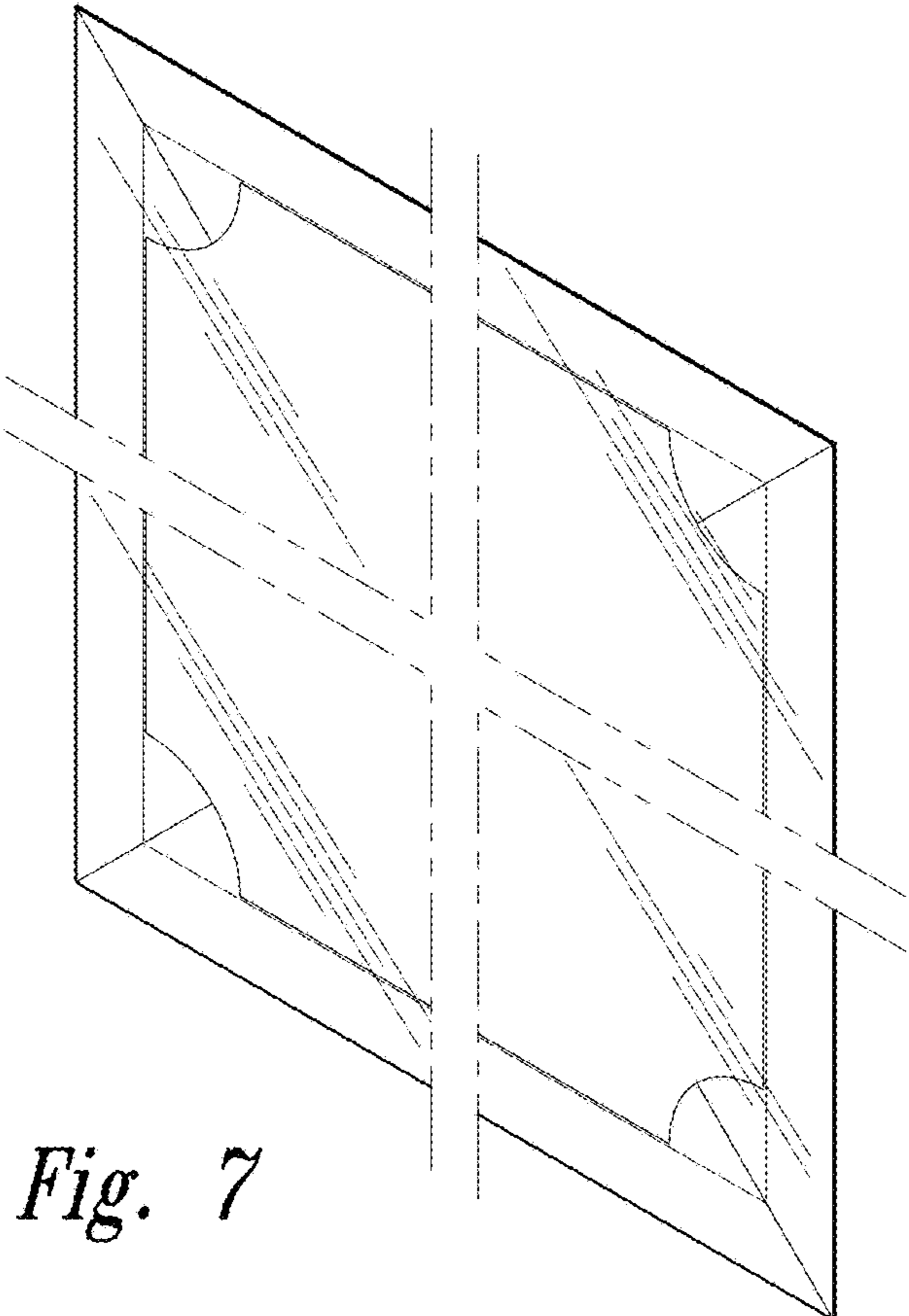


Fig. 7

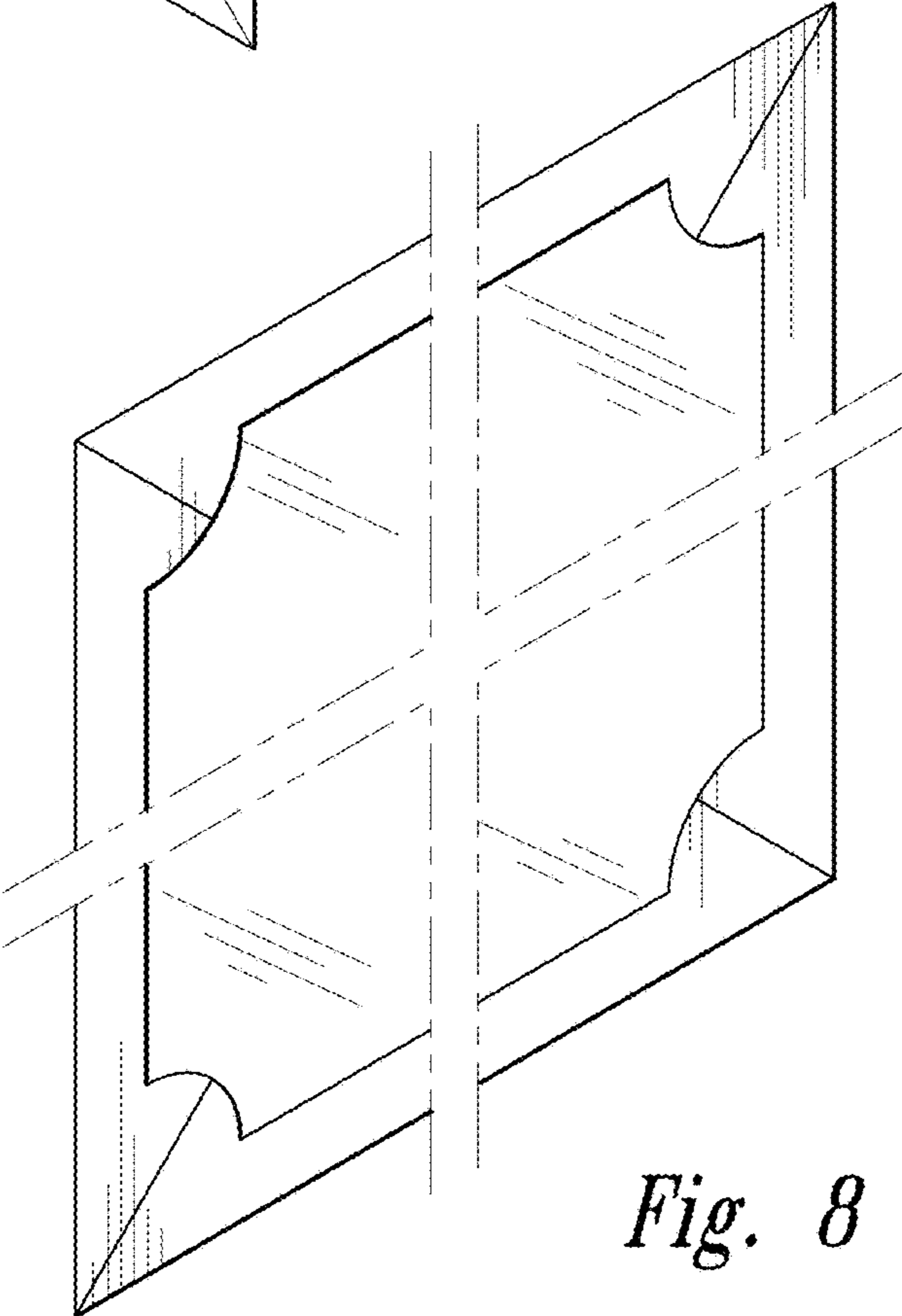


Fig. 8

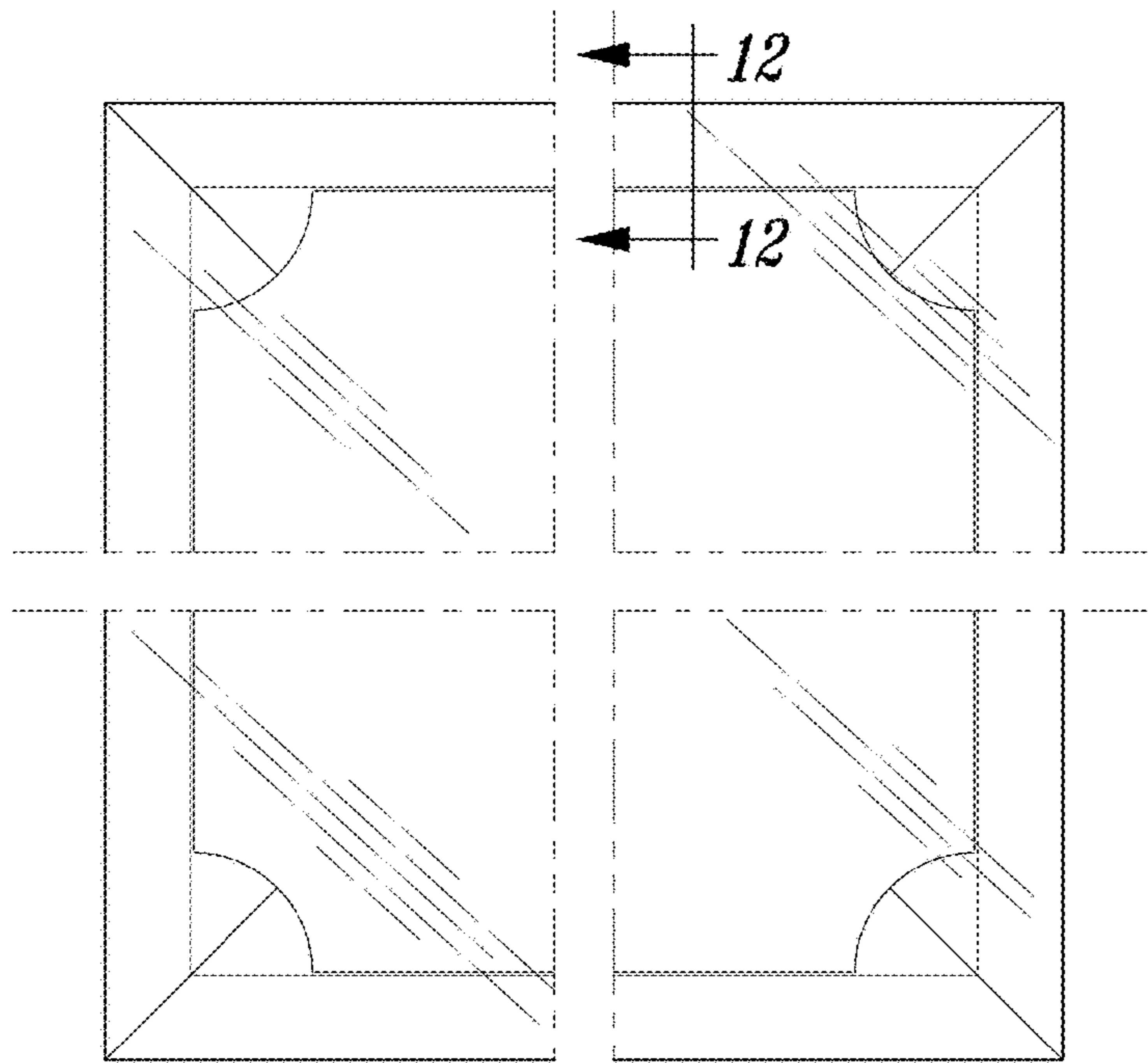


Fig. 9

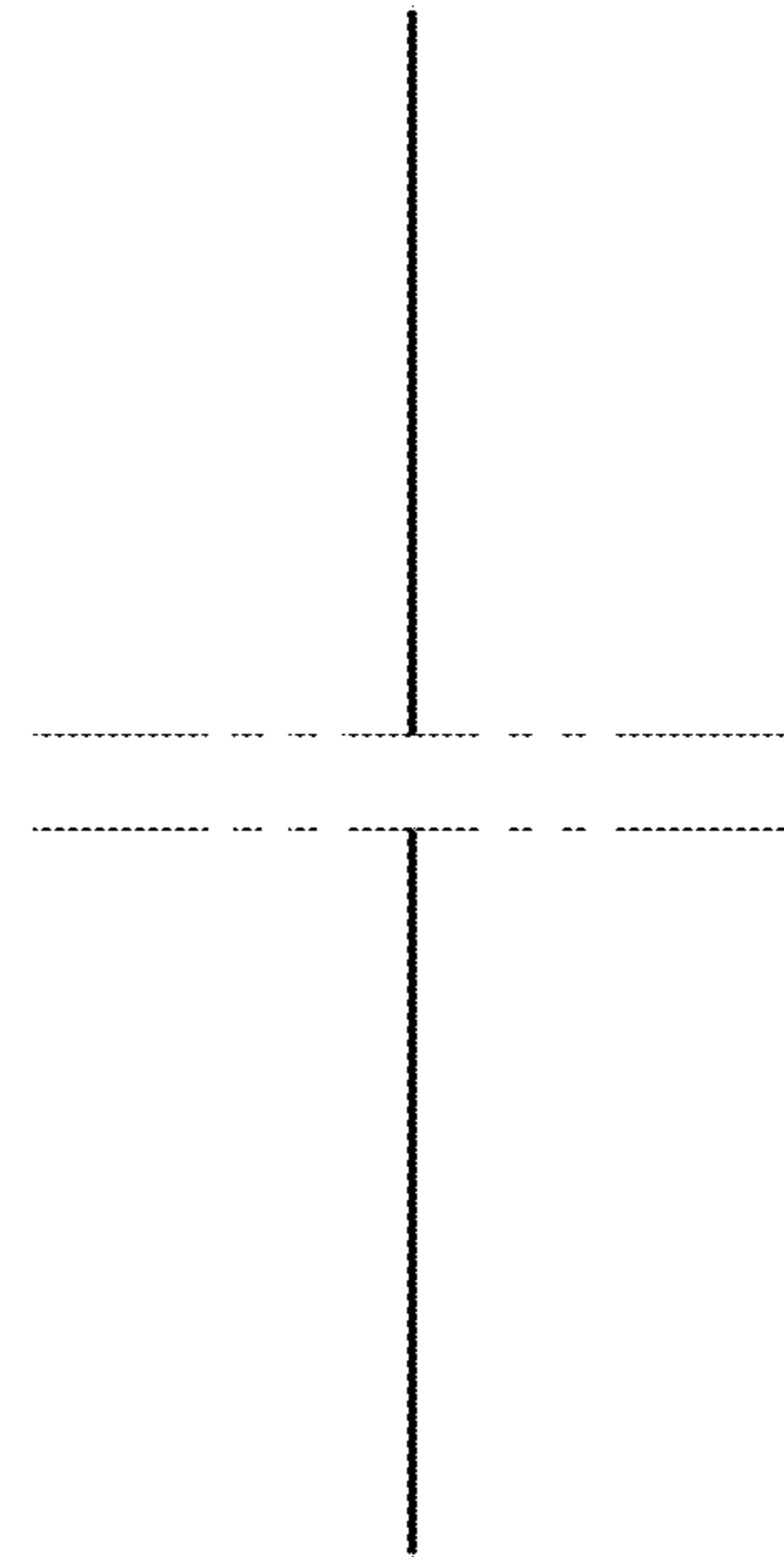


Fig. 11

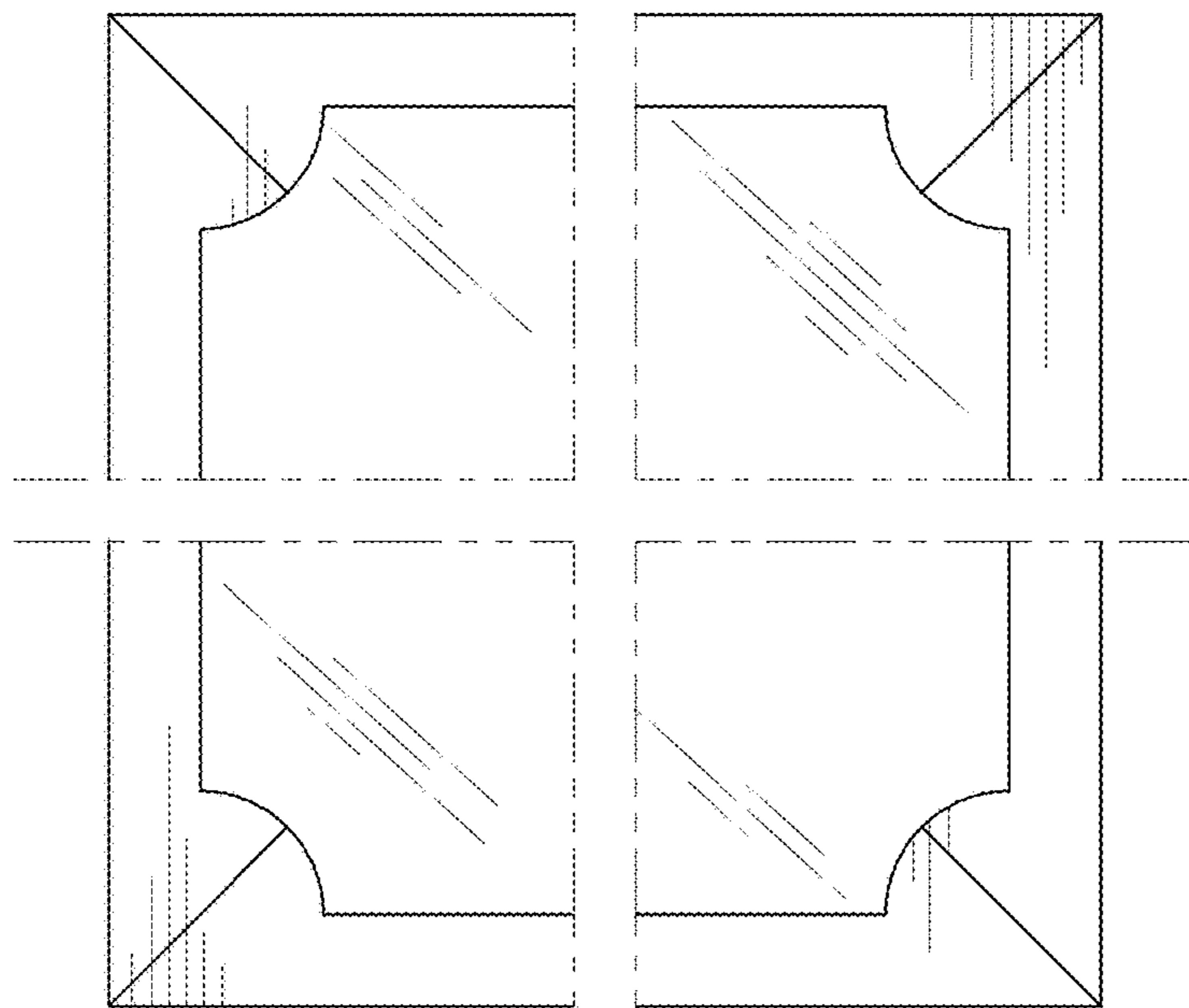


Fig. 10

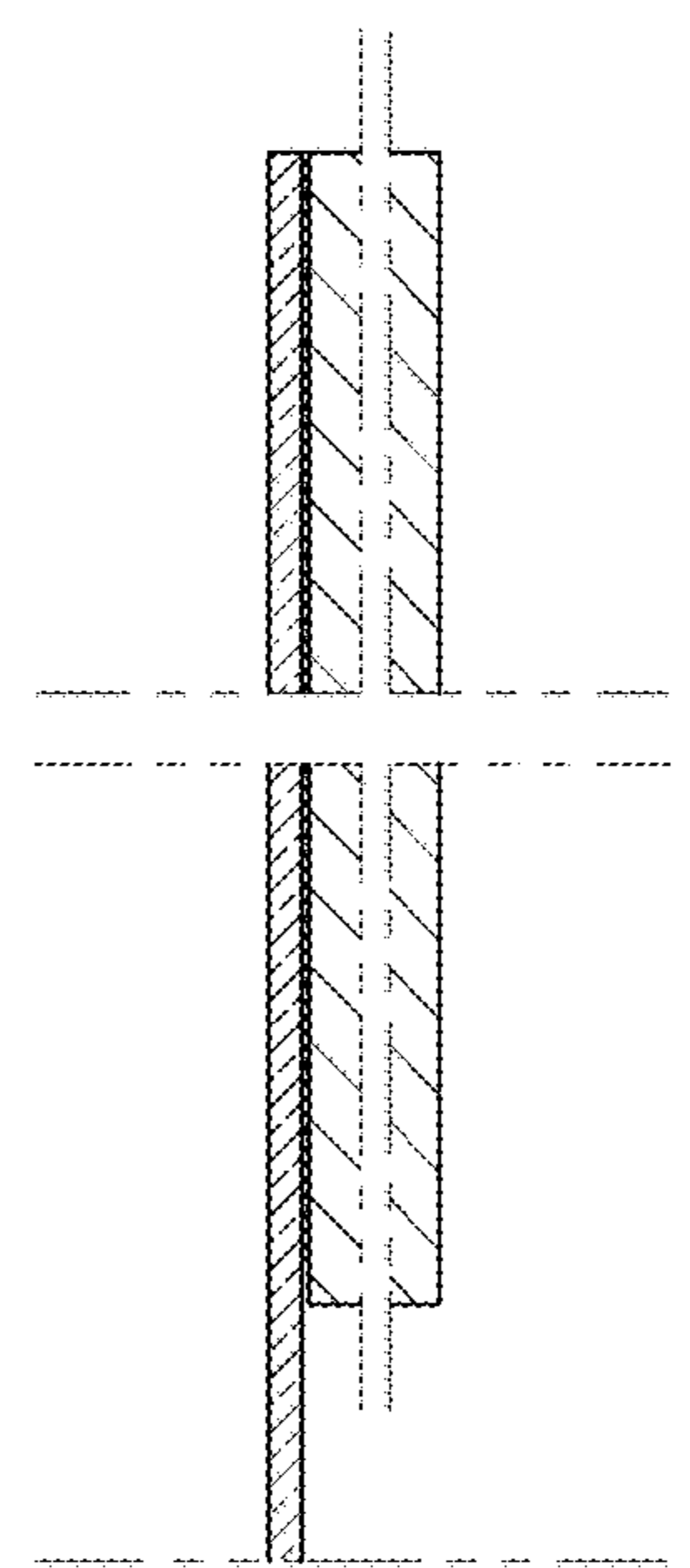
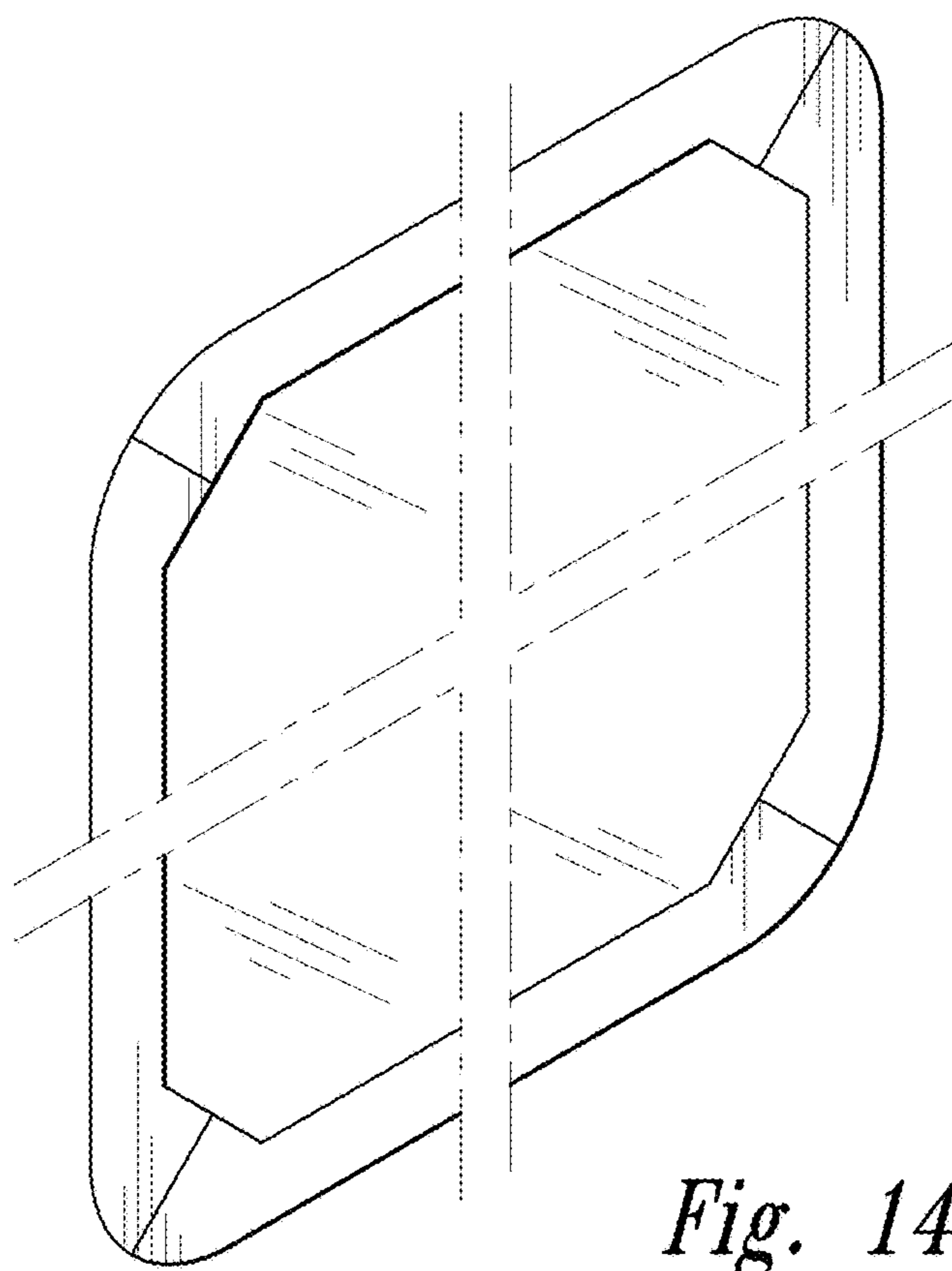
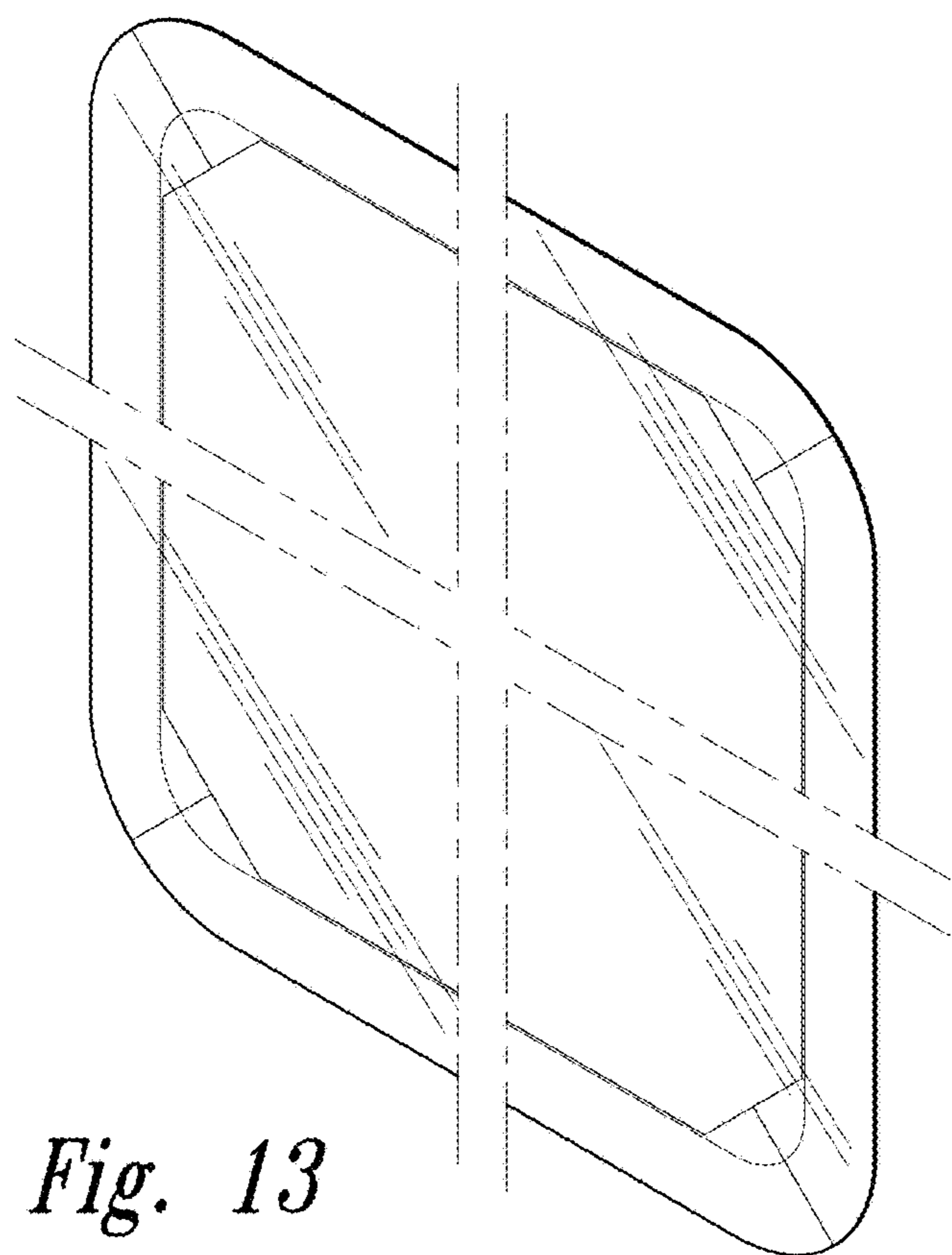


Fig. 12



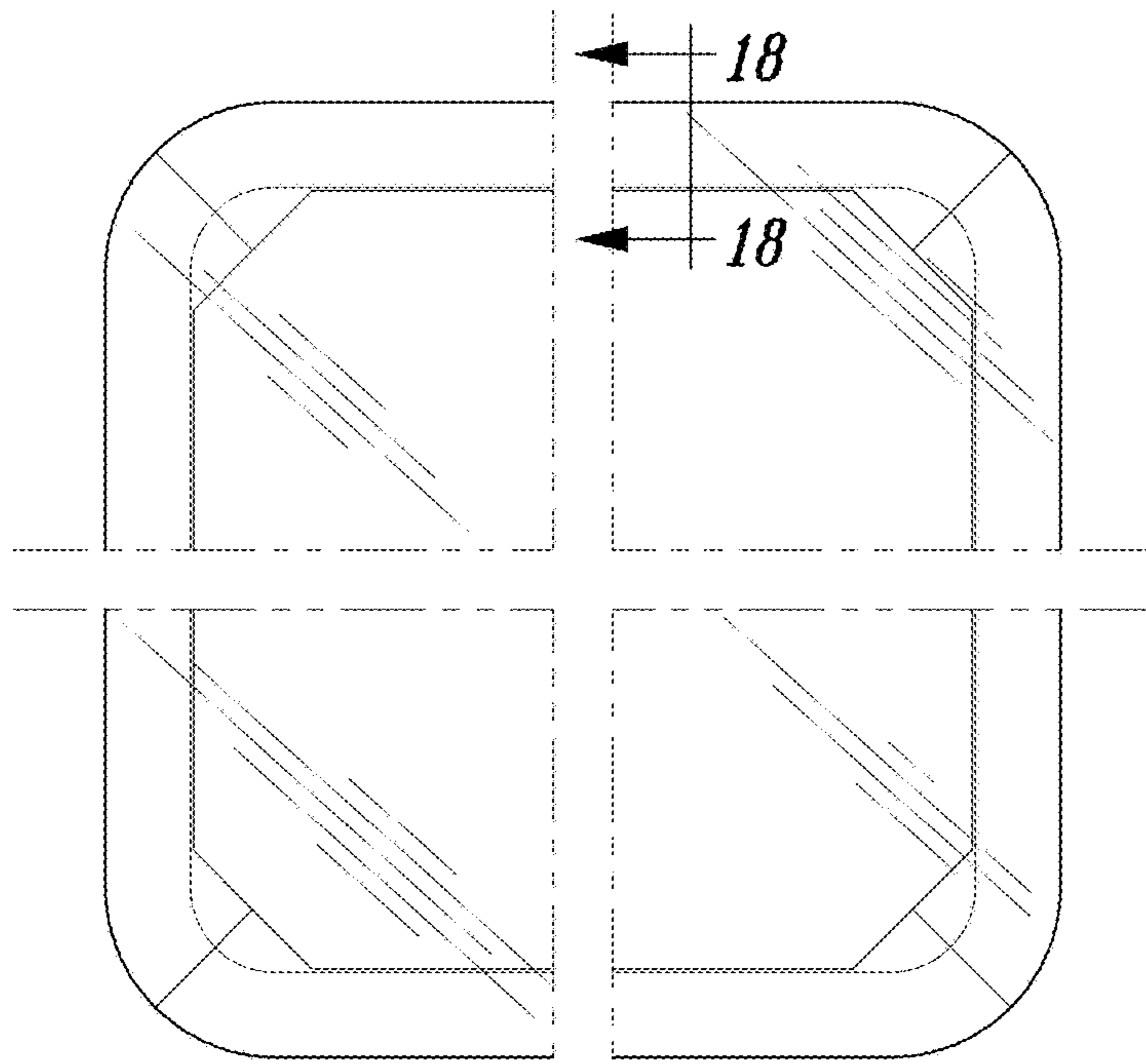


Fig. 15

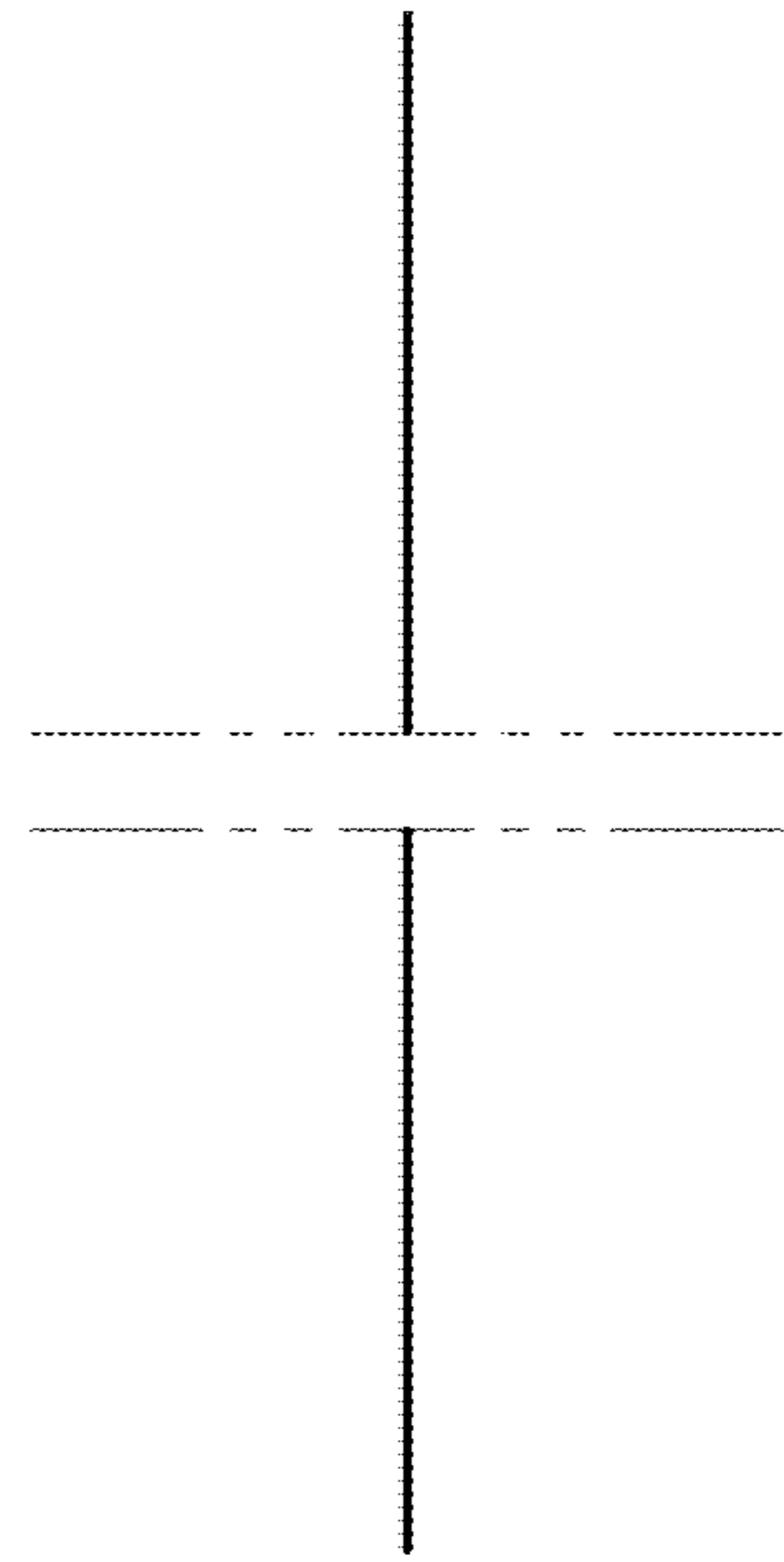


Fig. 17

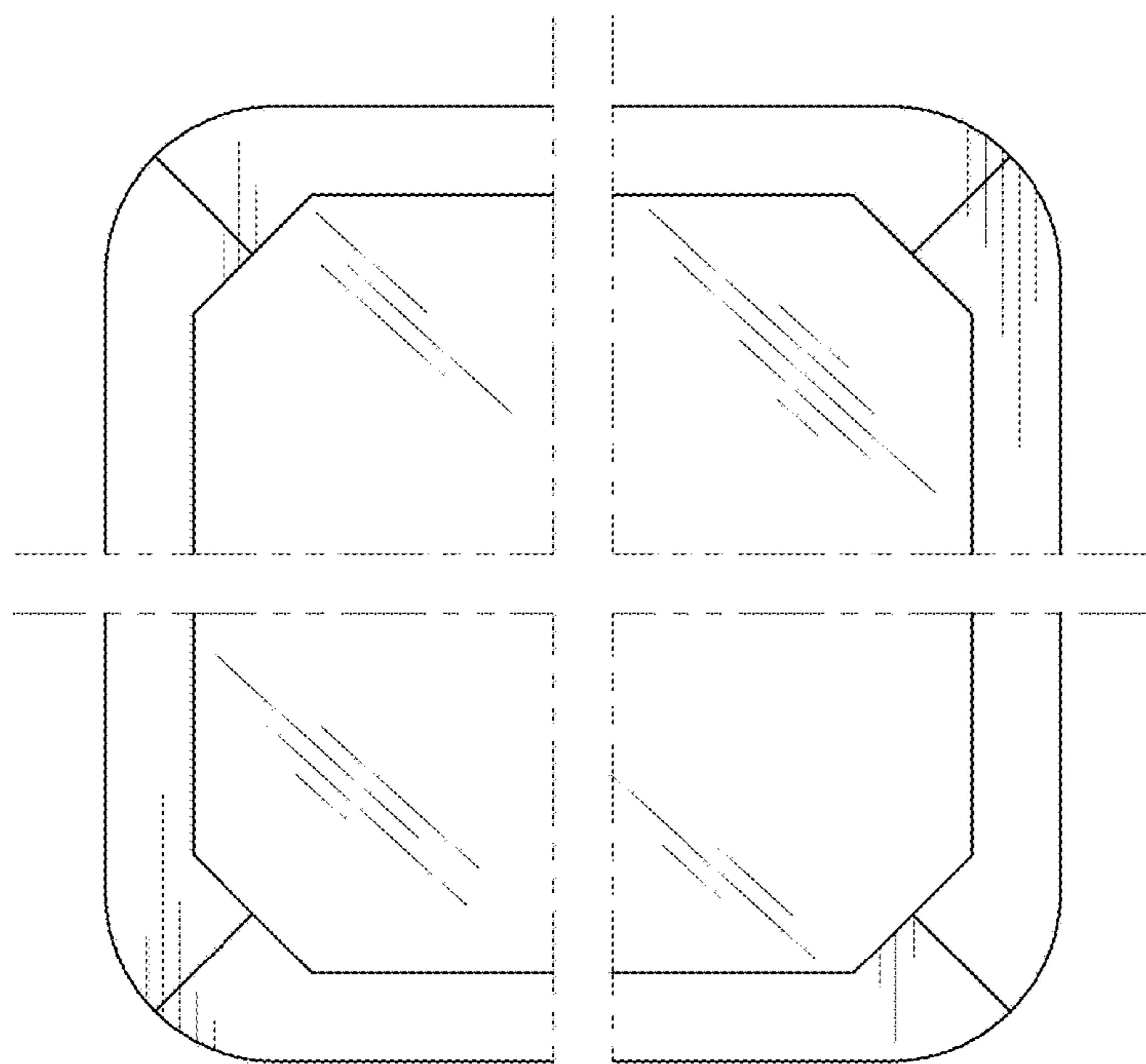


Fig. 16

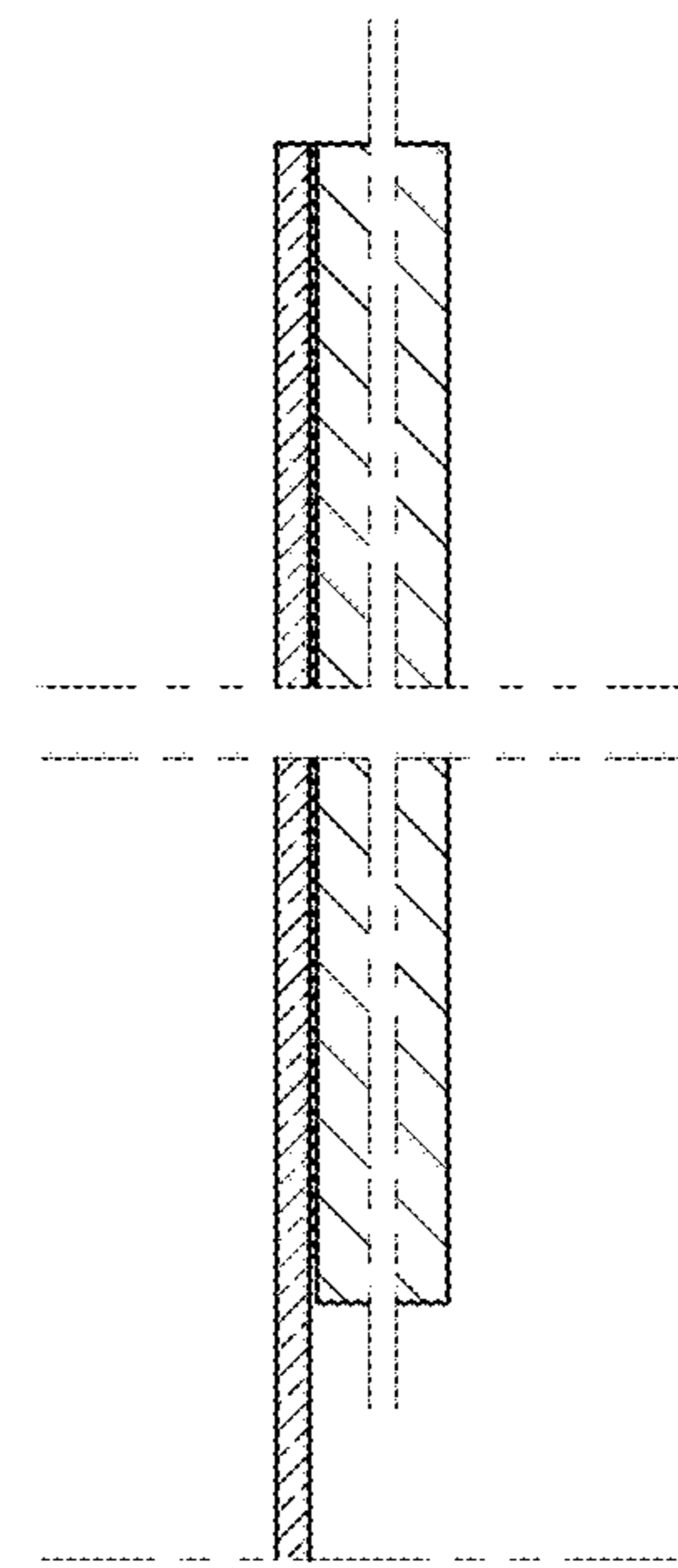


Fig. 18

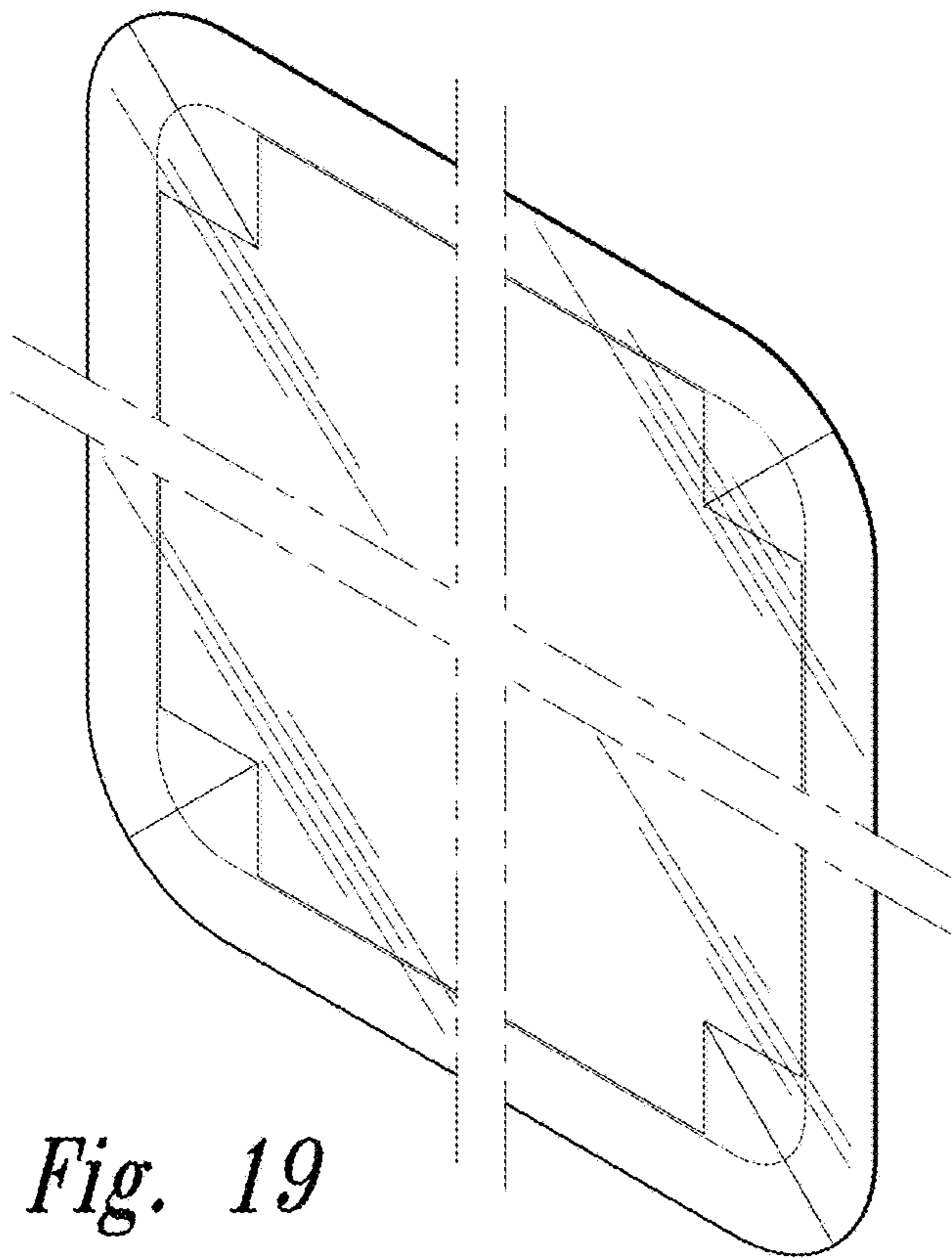


Fig. 19

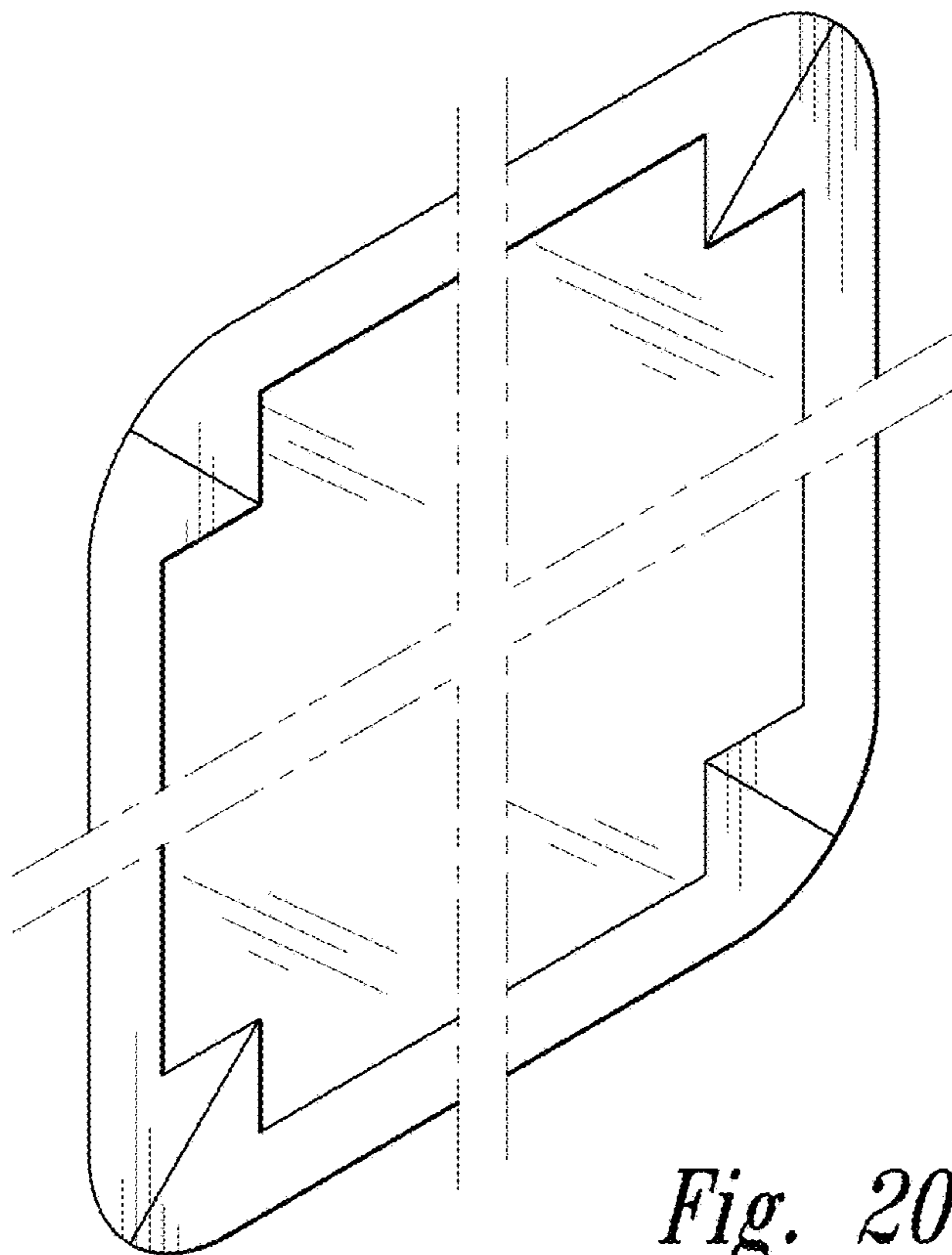


Fig. 20

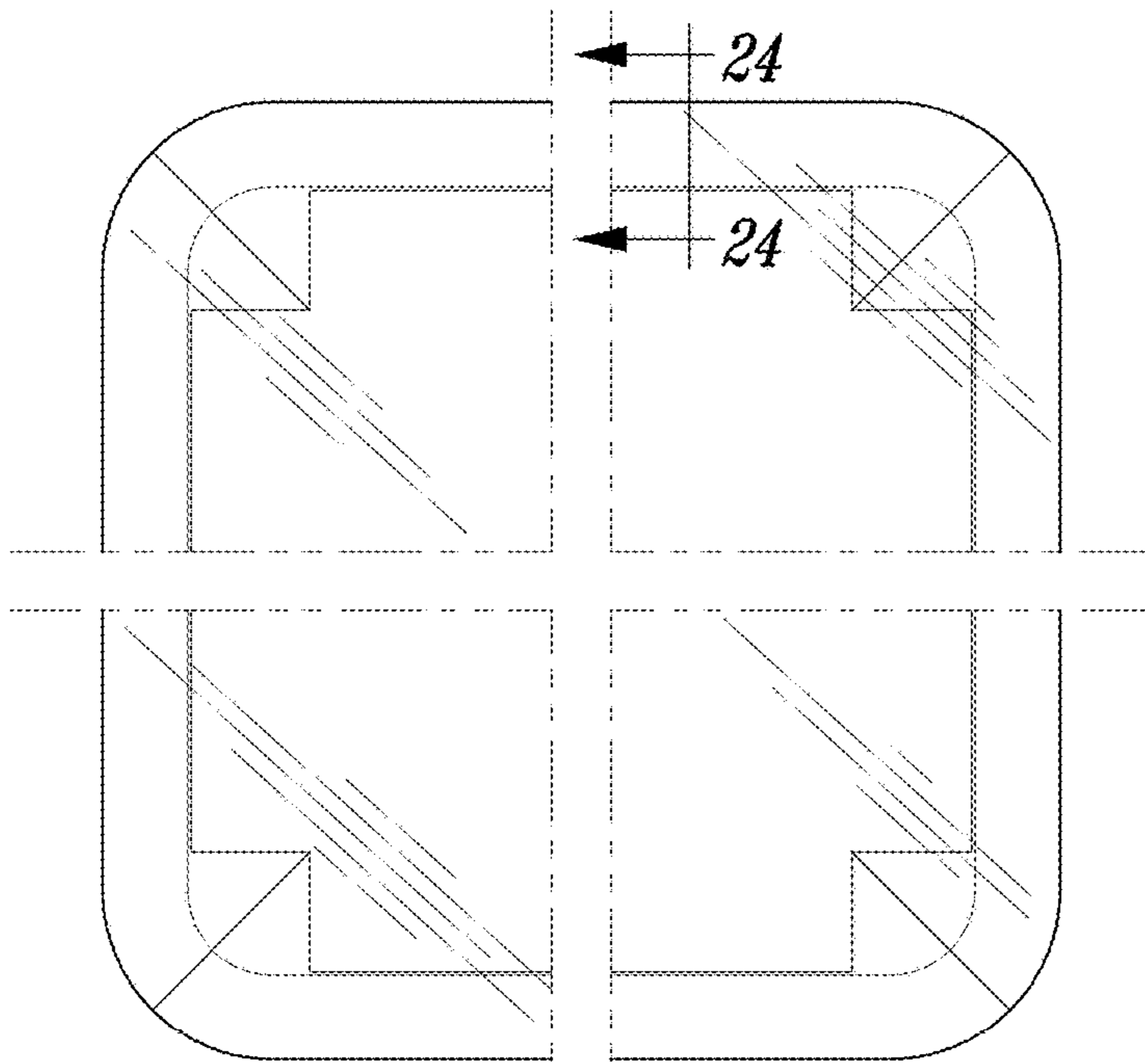


Fig. 21

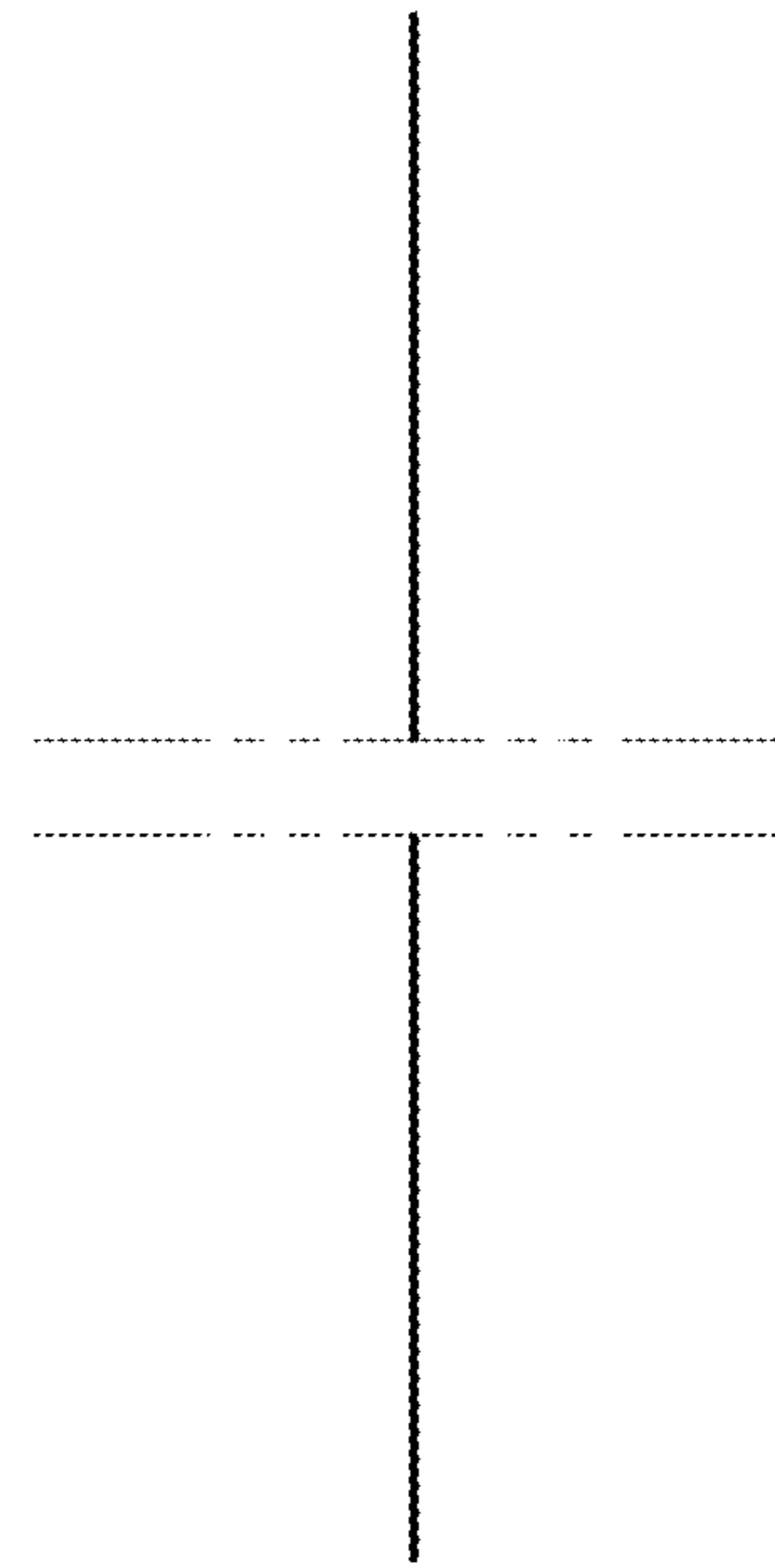


Fig. 23

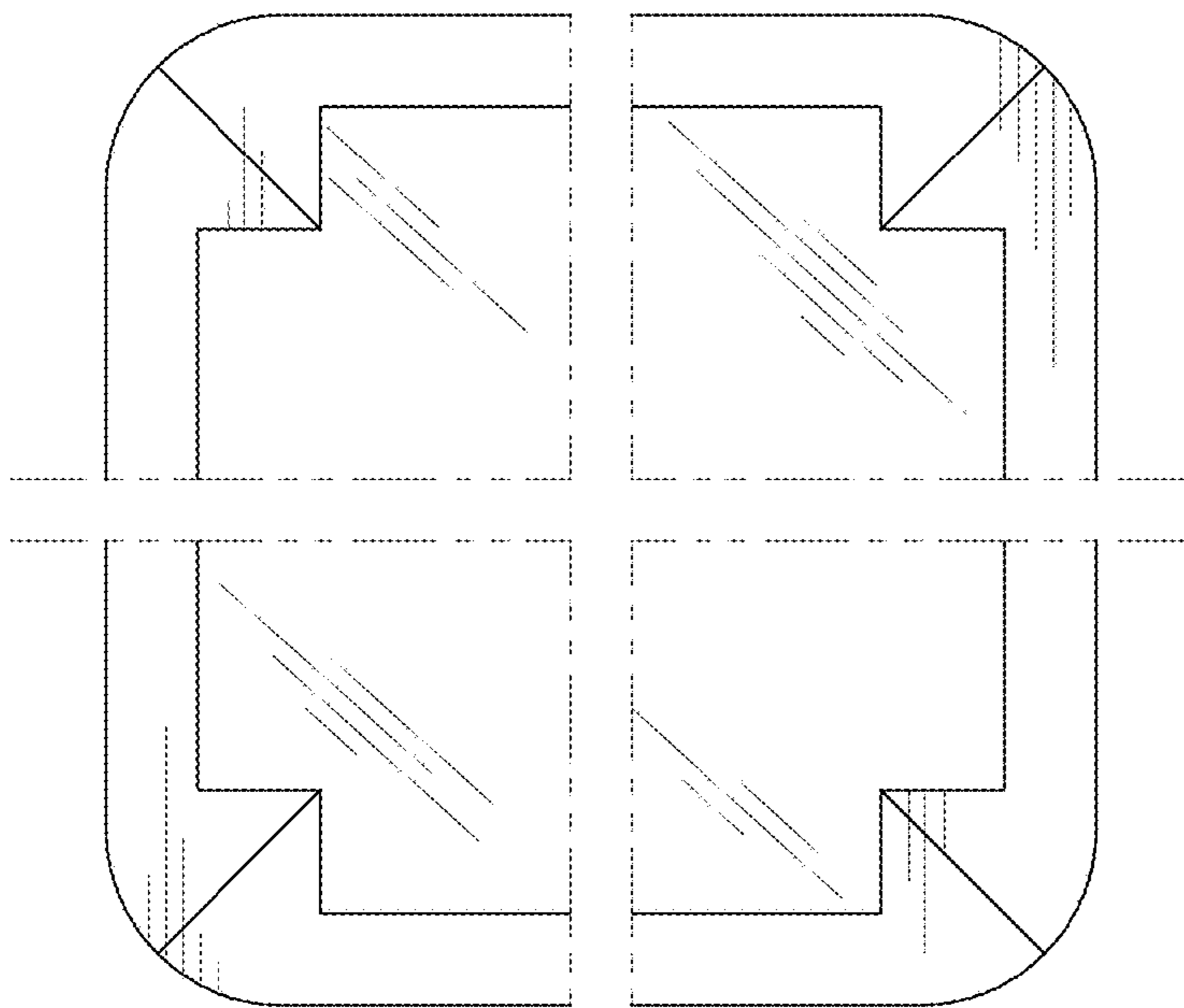


Fig. 22

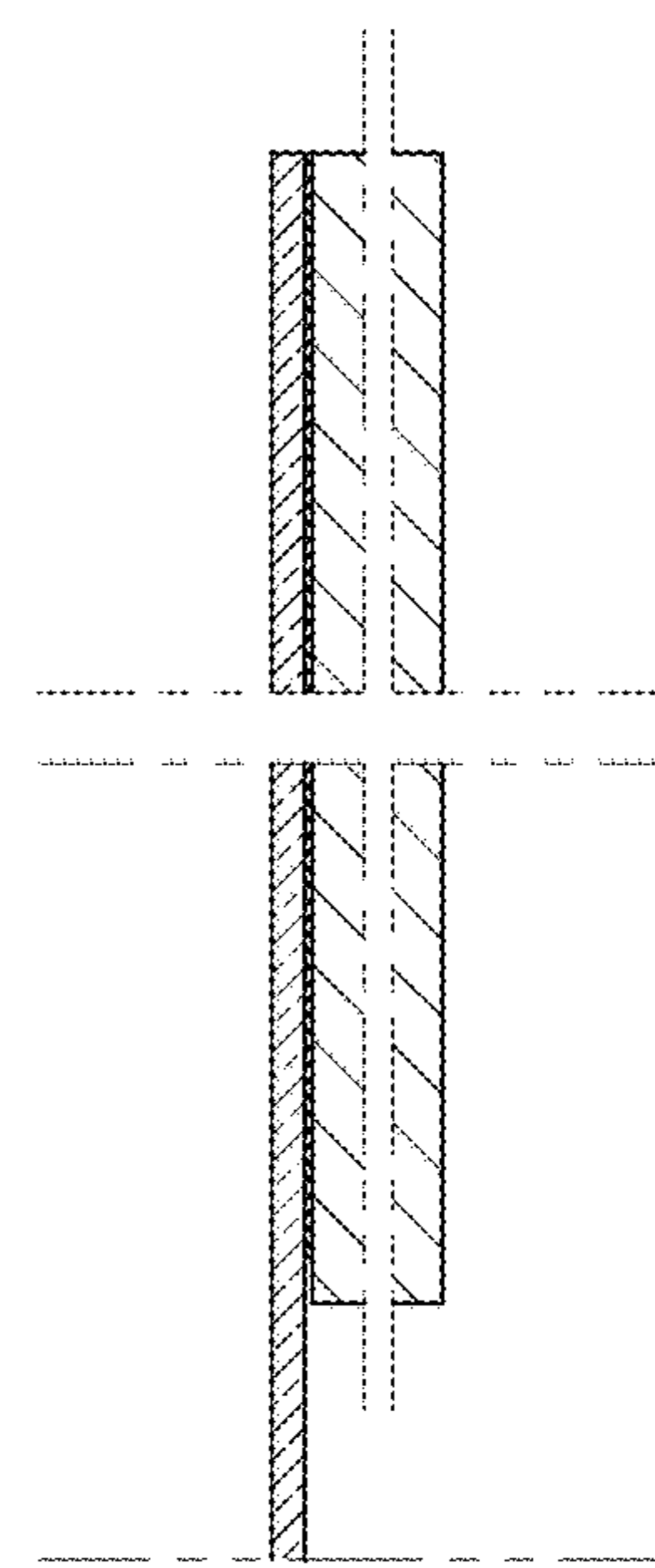


Fig. 24