



US00D783839S

(12) **United States Design Patent**
Clement et al.

(10) **Patent No.:** **US D783,839 S**
(45) **Date of Patent:** **** Apr. 11, 2017**

(54) **HYGIENIC SUPPORT**

D362,911 S * 10/1995 Helms D24/188
D494,110 S * 8/2004 Cheng D12/131
D496,463 S * 9/2004 Hunt D24/188
D589,623 S * 3/2009 Olliges D24/188

(Continued)

(71) Applicant: **Community Products, LLC**, Rifton,
NY (US)

(72) Inventors: **Gideon Clement**, Rifton, NY (US);
Samuel Durgin, Elka Park, NY (US);
Tobias Brinkmann, Elka Park, NY
(US); **Gilbert Thomson**, Elsmore (AU)

(73) Assignee: **COMMUNITY PRODUCTS, LLC**,
Rifton, NY (US)

(**) Term: **15 Years**

(21) Appl. No.: **29/575,066**

(22) Filed: **Aug. 22, 2016**

Related U.S. Application Data

(63) Continuation of application No. 29/494,100, filed on
Jun. 17, 2014.

(51) **LOC (10) Cl.** **24-04**

(52) **U.S. Cl.**
USPC **D24/188**

(58) **Field of Classification Search**
USPC D24/183, 188; D12/128-133
CPC A61G 7/1059; A47K 3/122; A61H
2201/0149

See application file for complete search history.

(56) **References Cited**

U.S. PATENT DOCUMENTS

4,662,361 A * 5/1987 Patterson A61G 15/007
128/845
D296,364 S * 6/1988 Nippoldt D24/183
D298,569 S * 11/1988 Nippoldt D24/183
D298,570 S * 11/1988 Nippoldt D24/183
5,054,137 A * 10/1991 Christensen A61G 7/1038
5/81.1 RP

OTHER PUBLICATIONS

European Community Design Registration No. 002484568-0001,
registered on Jun. 17, 2014.

(Continued)

Primary Examiner — Michael A. Pratt

Assistant Examiner — Michelle E Wilson

(74) *Attorney, Agent, or Firm* — Economou Silfin LLP

(57) **CLAIM**

The ornamental design for a hygienic support, as shown and
described.

DESCRIPTION

FIG. 1 is an isometric view of an exemplary embodiment of
a hygienic support according to the present invention;
FIG. 2 is a front view of the hygienic support shown in FIG.
1;

FIG. 3 is a rear view of the hygienic support shown in FIG.
1;

FIG. 4 is a right side view of the hygienic support shown in
FIG. 1;

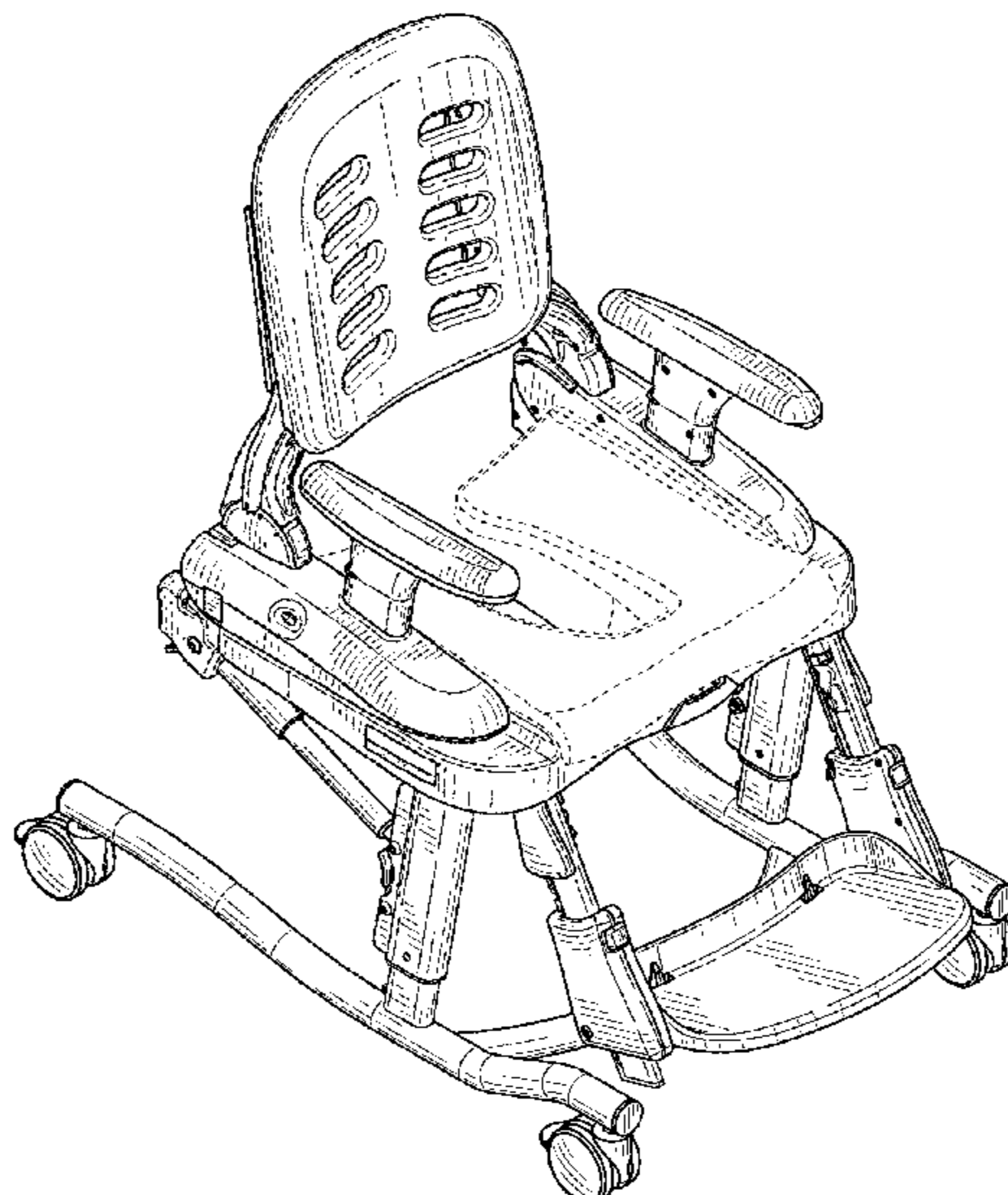
FIG. 5 is a left side view of the hygienic support shown in
FIG. 1;

FIG. 6 is a top plan view of the hygienic support shown in
FIG. 1; and,

FIG. 7 is a bottom plan view of the hygienic support shown
in FIG. 1.

With respect to the above-identified views, the portions
shown in broken lines do not form part of the claimed
design.

1 Claim, 7 Drawing Sheets



(56)

References Cited

U.S. PATENT DOCUMENTS

D598,816 S * 8/2009 Ahlbertz D12/131
D627,270 S * 11/2010 Kretschmer D12/131
D677,606 S * 3/2013 Akre D12/131
D699,160 S * 2/2014 Yang D12/131
2004/0222611 A1* 11/2004 Fenwick A61G 5/006
280/250.1
2005/0065675 A1* 3/2005 Georgi A61G 5/043
701/23
2007/0169267 A1* 7/2007 Paz A61G 7/015
5/610
2012/0132213 A1* 5/2012 Kakko A61F 5/3784
128/845

OTHER PUBLICATIONS

European Community Design Registration No. 002484568-0002,
registered on Jun. 17, 2014.

* cited by examiner

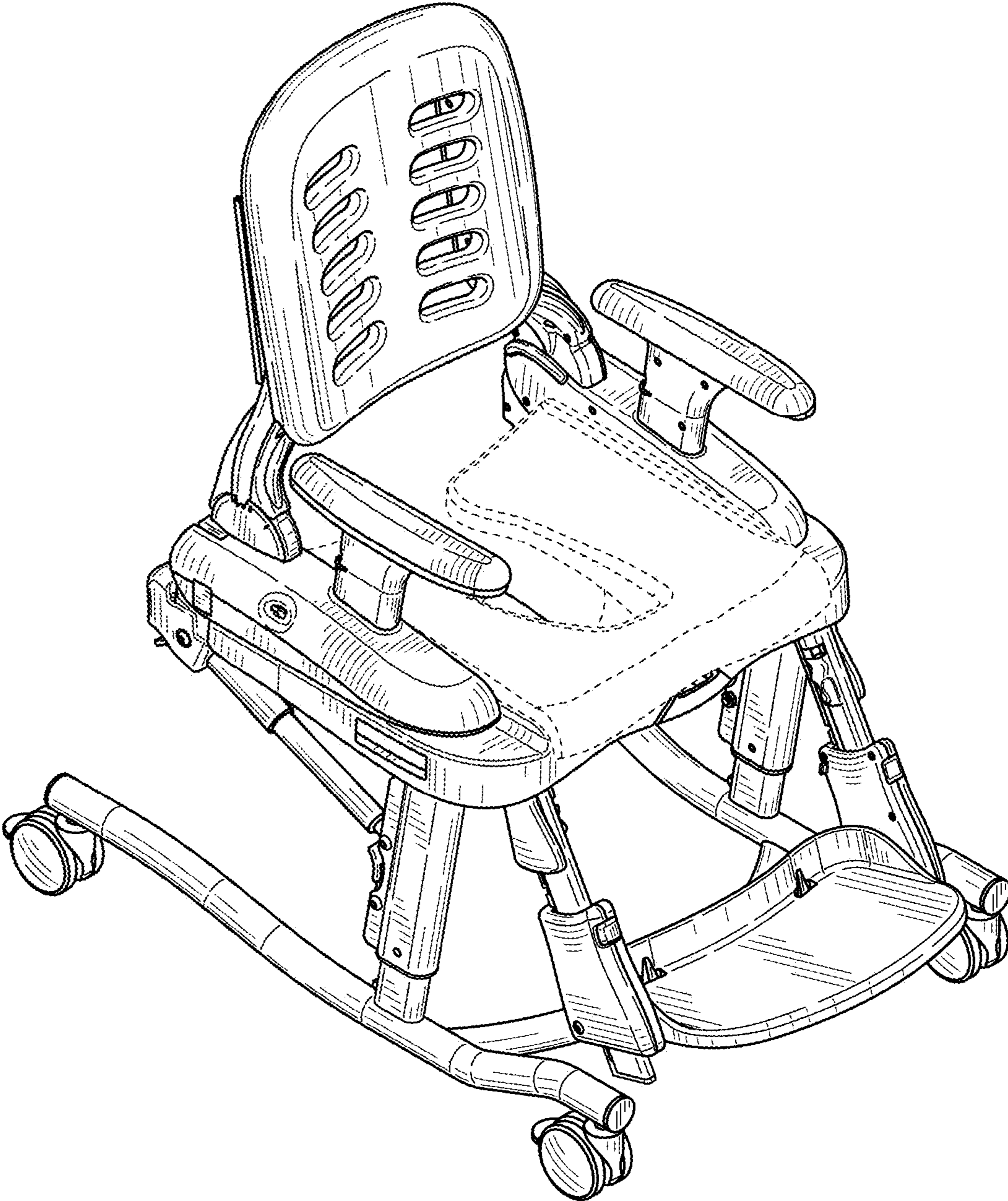


FIG. 1

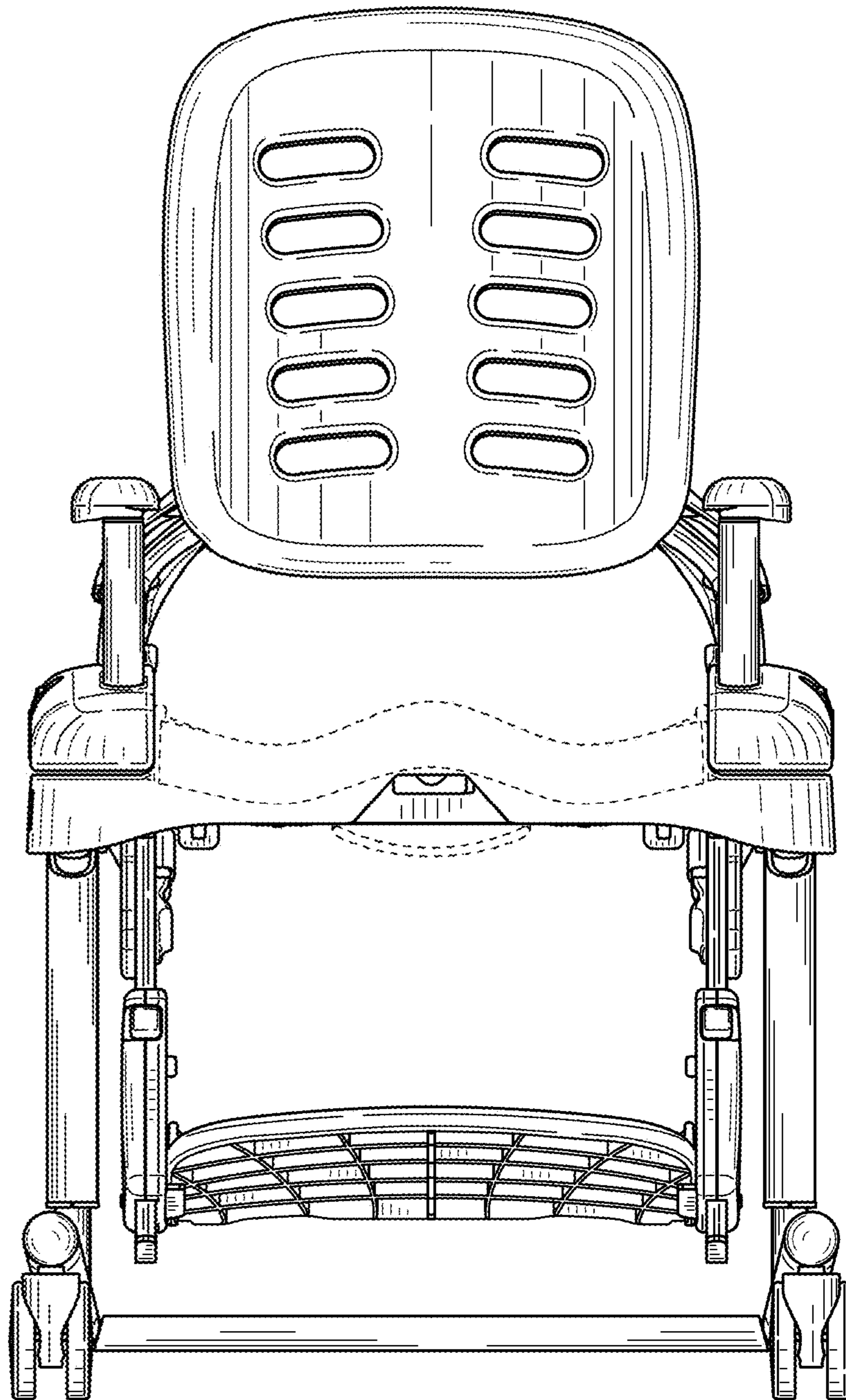


FIG. 2

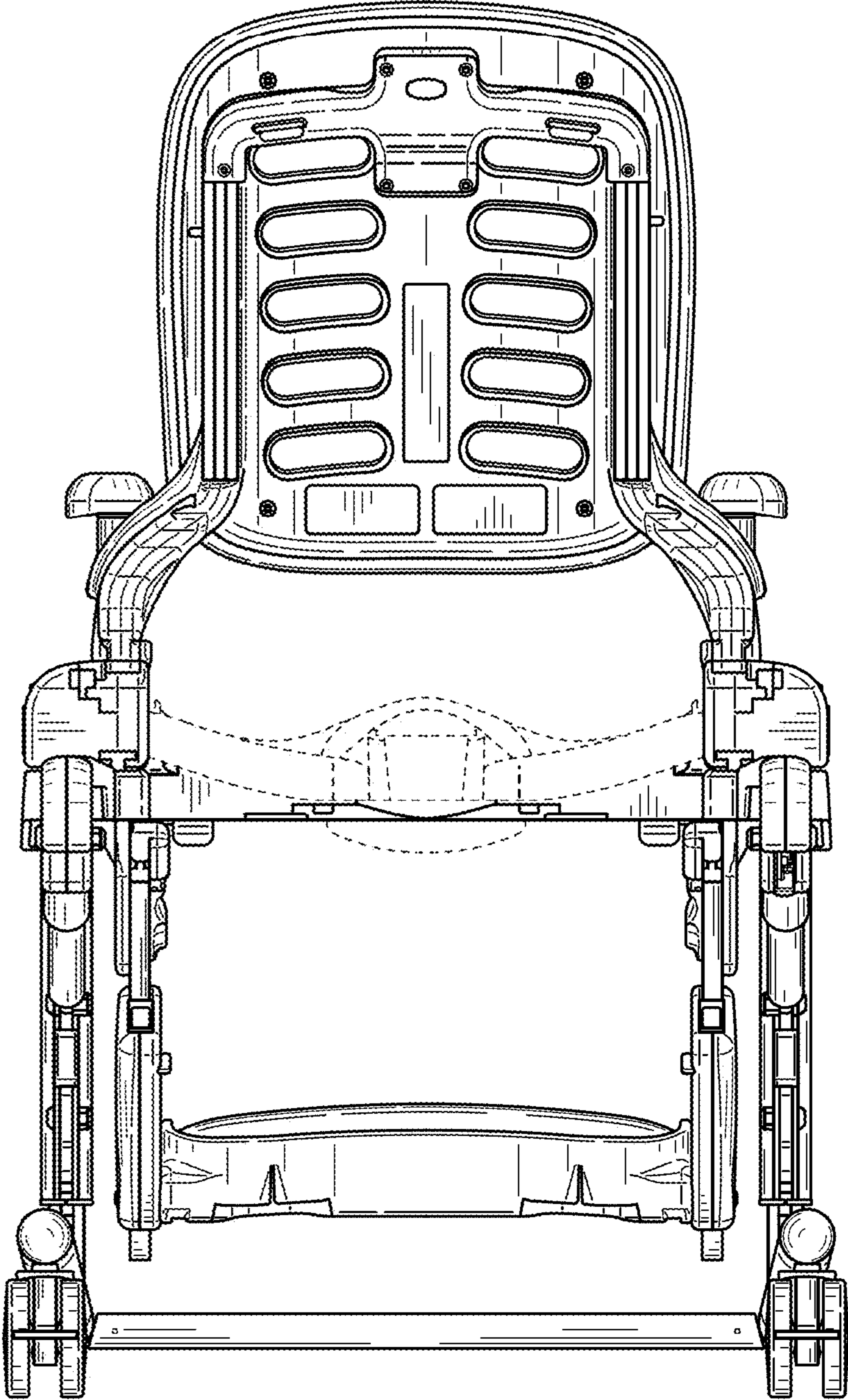


FIG. 3

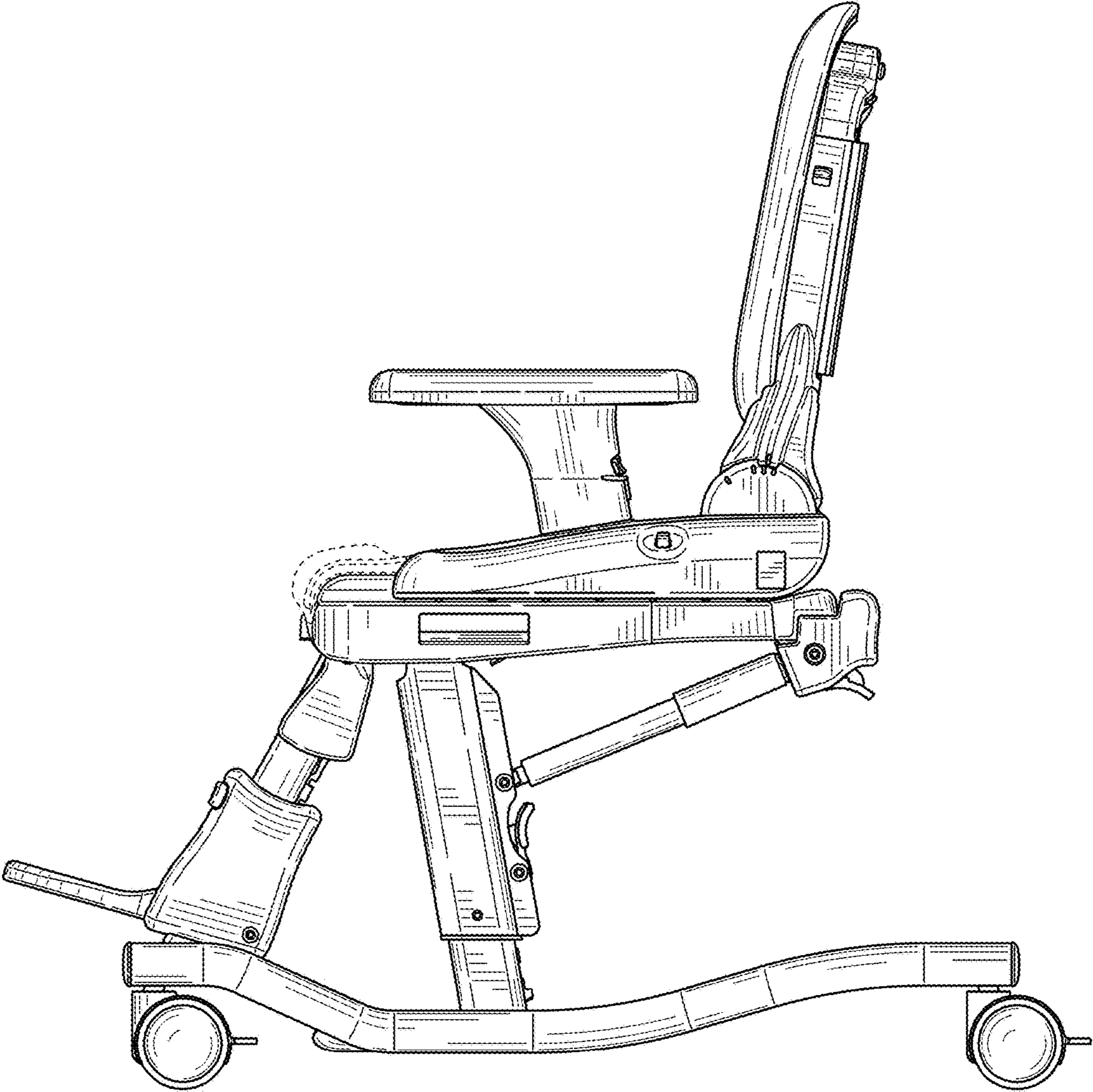


FIG. 4

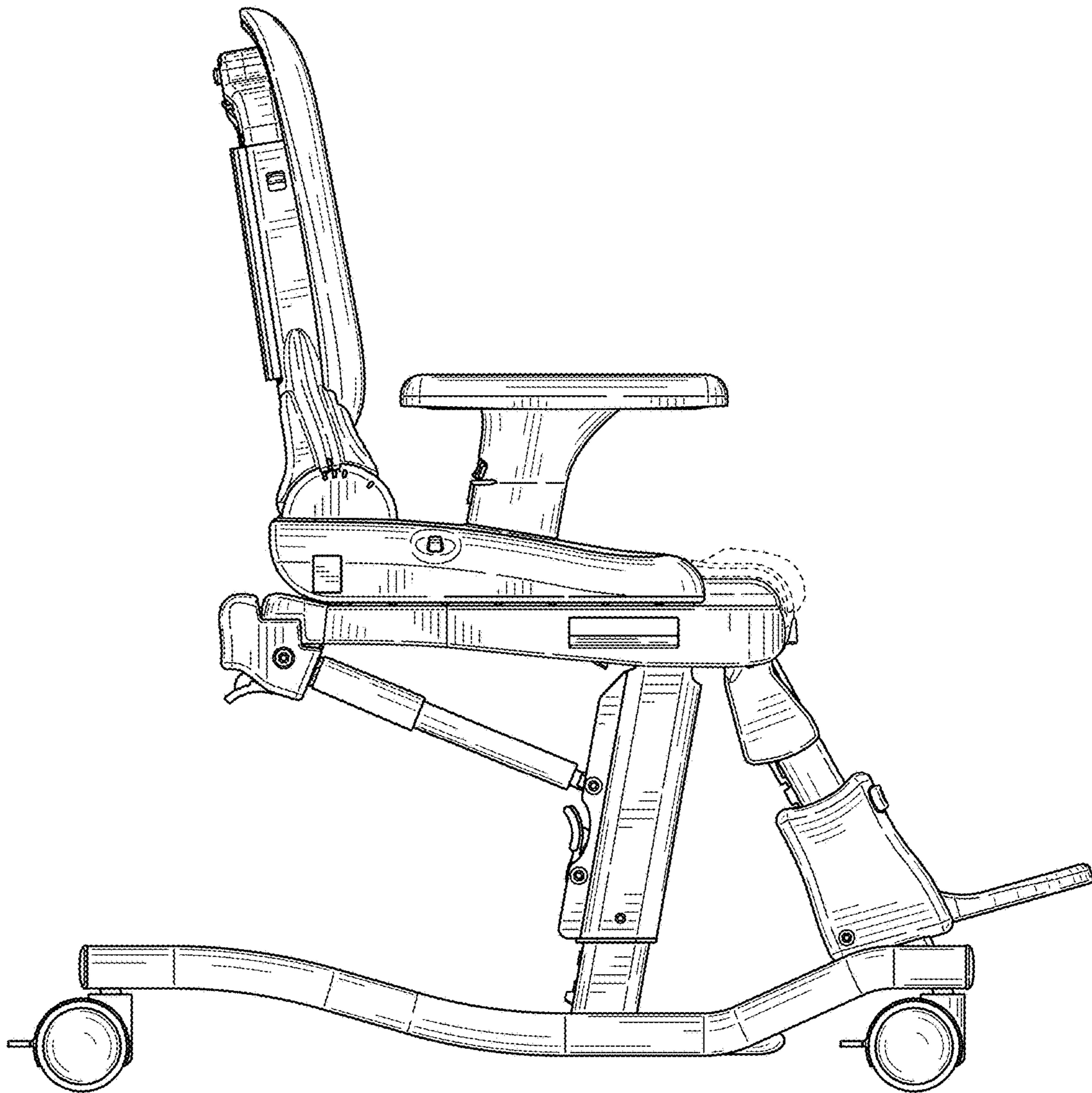


FIG. 5

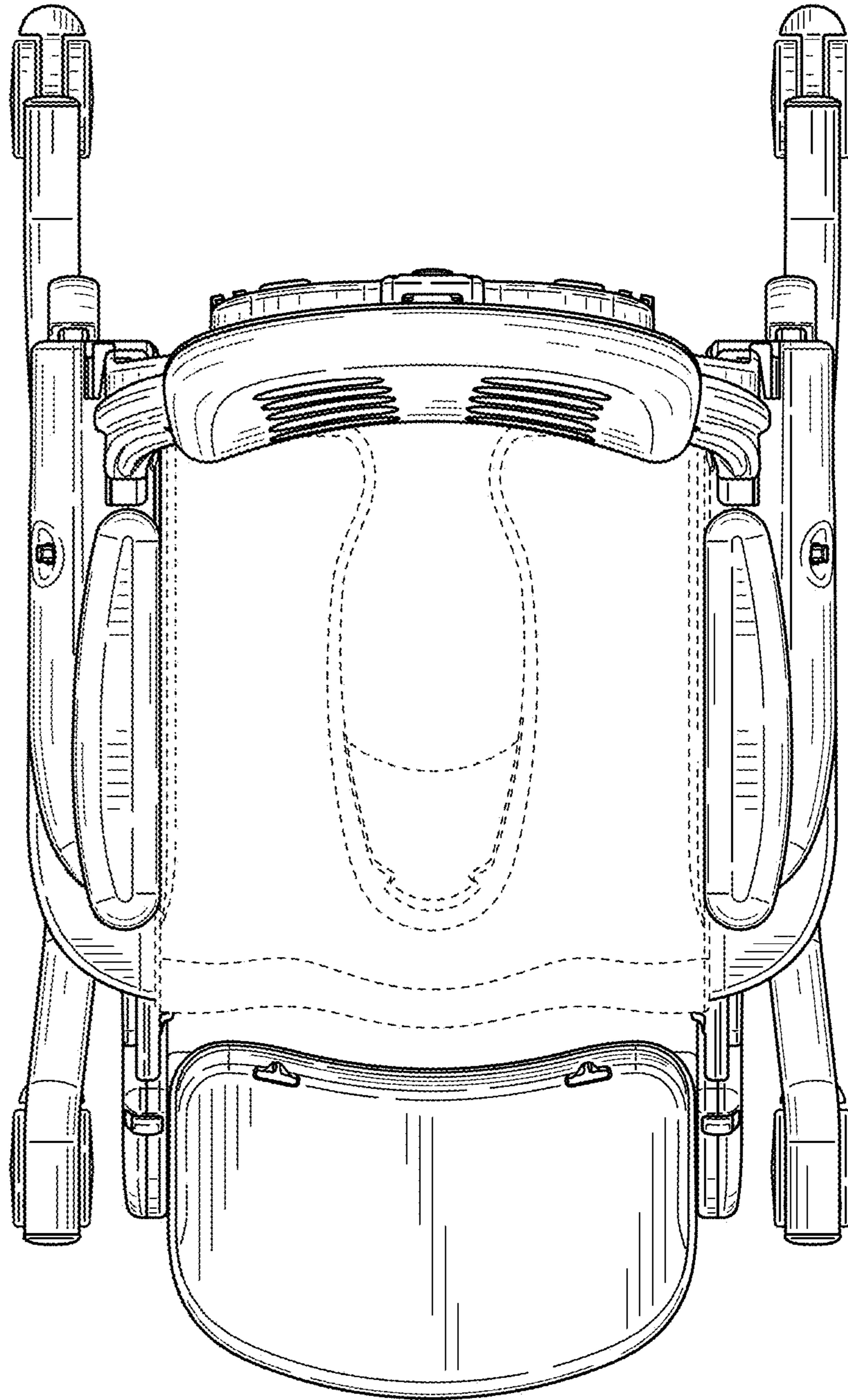


FIG. 6

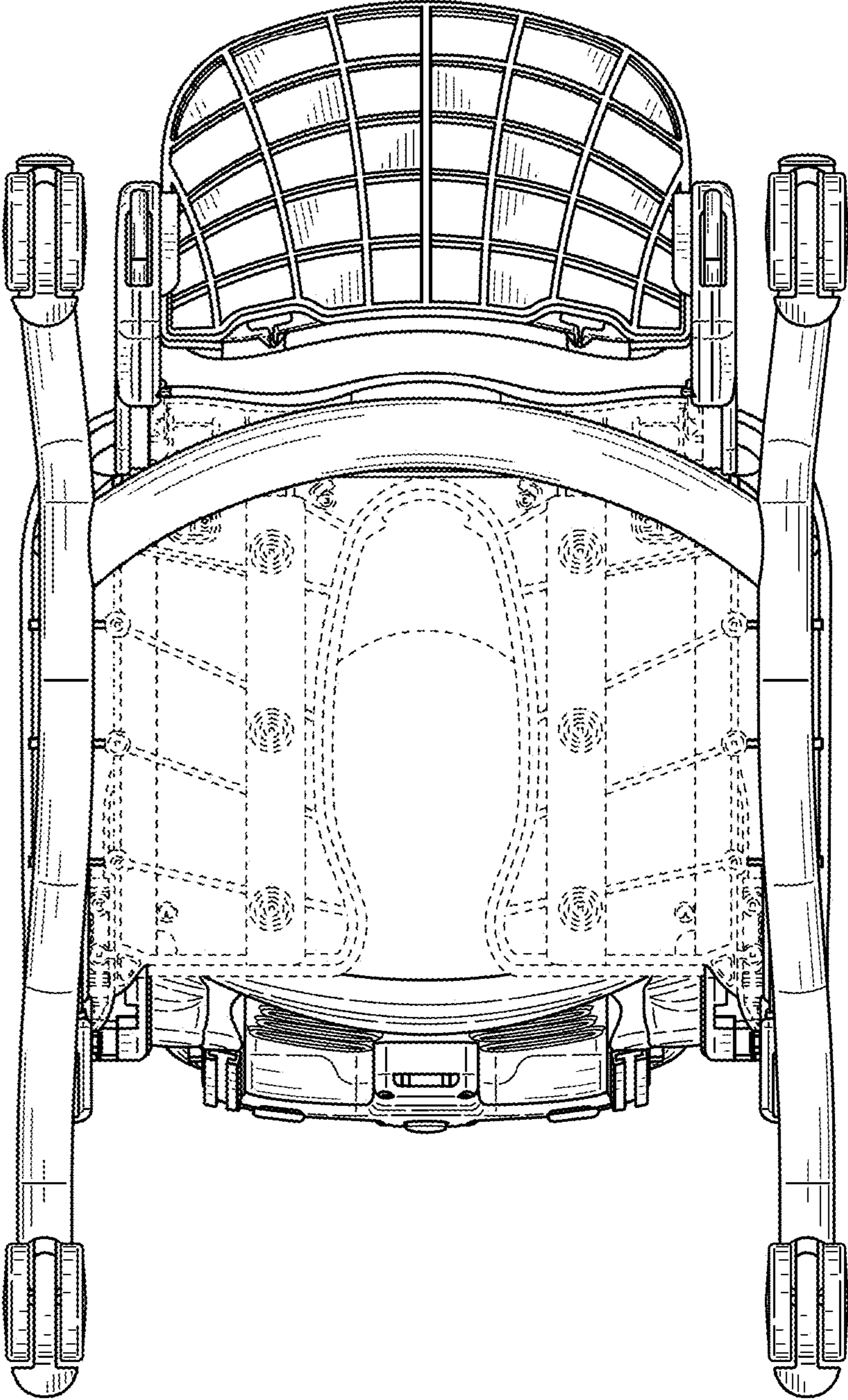


FIG. 7