



US00D783837S

(12) **United States Design Patent**
Janzen

(10) **Patent No.:** **US D783,837 S**
(45) **Date of Patent:** **** Apr. 11, 2017**

- (54) **MEDICAL DISPLAY STAND**
- (71) Applicant: **Tryten Technologies Inc.**, Seattle, WA (US)
- (72) Inventor: **Tony H. Janzen**, Langley, CA (US)
- (73) Assignee: **Tryten Technologies Inc.**, Seattle, WA (US)
- (**) Term: **15 Years**
- (21) Appl. No.: **29/556,401**
- (22) Filed: **Feb. 29, 2016**
- (51) **LOC (10) Cl.** **24-00**
- (52) **U.S. Cl.**
USPC **D24/186**
- (58) **Field of Classification Search**
USPC D24/186, 130, 143, 150, 164, 170, 171, D24/172, 183, 185, 188, 221, 234; D6/406.1, 406.2, 682; D34/14, 17, 19, D34/21, 23; 351/206, 224, 226; 248/125.8, 142.1, 447.1
CPC .. A61B 90/50; A61B 1/00149; F16M 11/126; F16M 11/24; F16M 11/42; A61M 5/1415; Y10T 74/20329
See application file for complete search history.

- 2008/0061195 A1* 3/2008 Carnevali F16M 11/14 248/125.8
- 2008/0142667 A1* 6/2008 German A47B 97/04 248/447.1
- 2009/0294604 A1* 12/2009 Sunderland A61M 5/1415 248/124.1

* cited by examiner

Primary Examiner — Wan Laymon
Assistant Examiner — Mark Booker
(74) *Attorney, Agent, or Firm* — Christensen O'Connor Johnson Kindness PLLC

(57) **CLAIM**

The ornamental design for a medical display stand, as shown and described.

DESCRIPTION

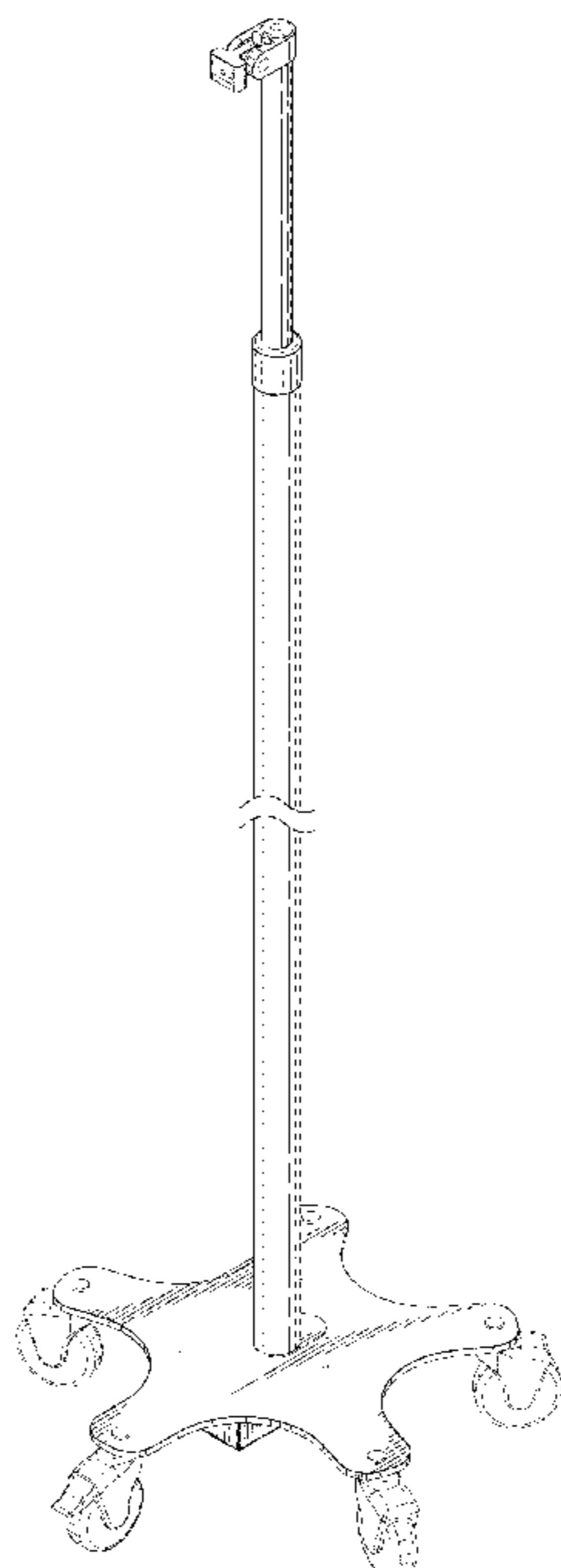
FIG. 1 is an upper perspective view of a medical display stand in accordance with the present design;
FIG. 2 is a lower perspective view of the medical display stand shown in FIG. 1;
FIG. 3 is a front view of the medical display stand shown in FIG. 1;
FIG. 4 is a rear view of the medical display stand shown in FIG. 1;
FIG. 5 is a plan view of the medical display stand shown in FIG. 1;
FIG. 6 is a bottom view of the medical display stand shown in FIG. 1;
FIG. 7 is a left side view of the medical display stand shown in FIG. 1; and,
FIG. 8 is a right side view of the medical display stand shown in FIG. 1.
The broken away symbols in the drawings indicate that any portion of the medical display stand beyond what is shown forms no part of the claimed design.

1 Claim, 7 Drawing Sheets

(56) **References Cited**

U.S. PATENT DOCUMENTS

- D700,706 S * 3/2014 Molter D24/185
- D739,947 S * 9/2015 Maier D24/186
- D765,447 S * 9/2016 Barham D6/682



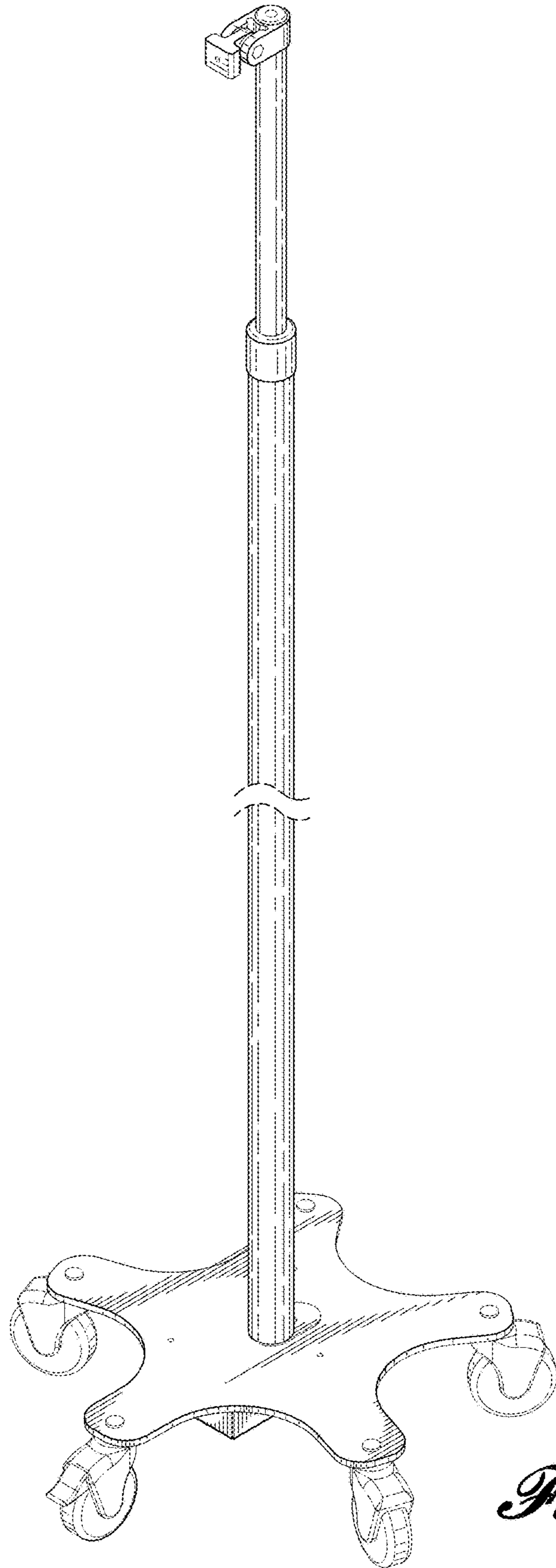


Fig. 1.

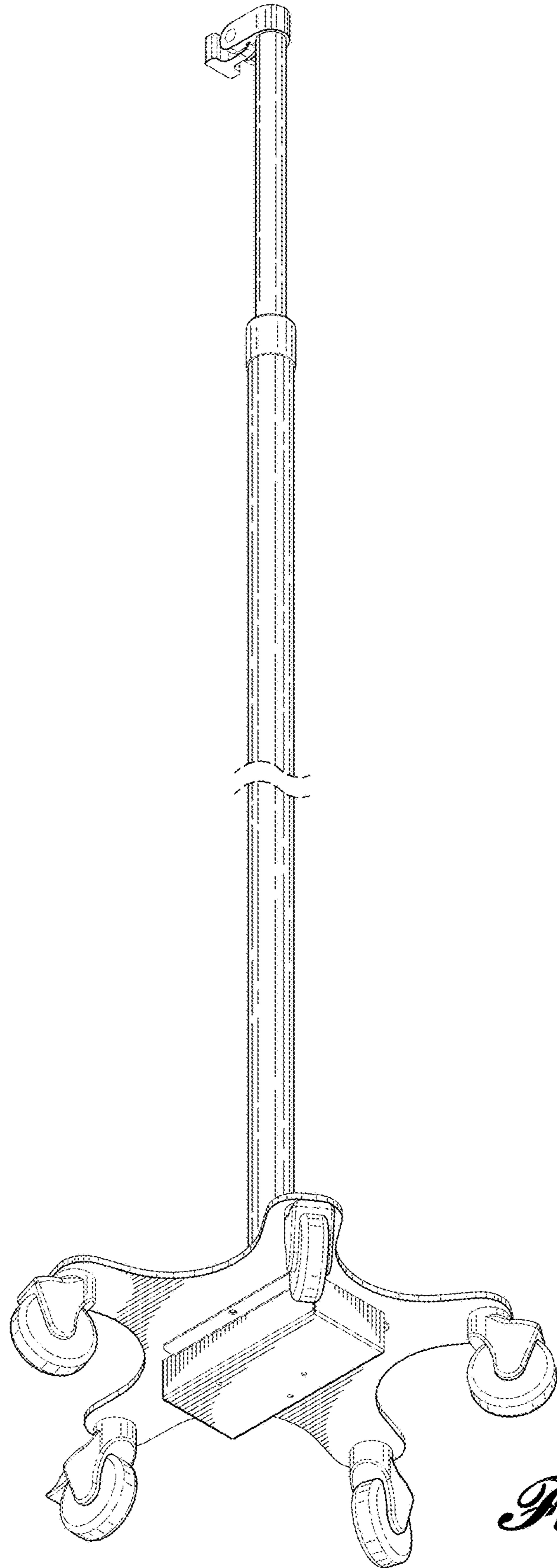


Fig. 2.

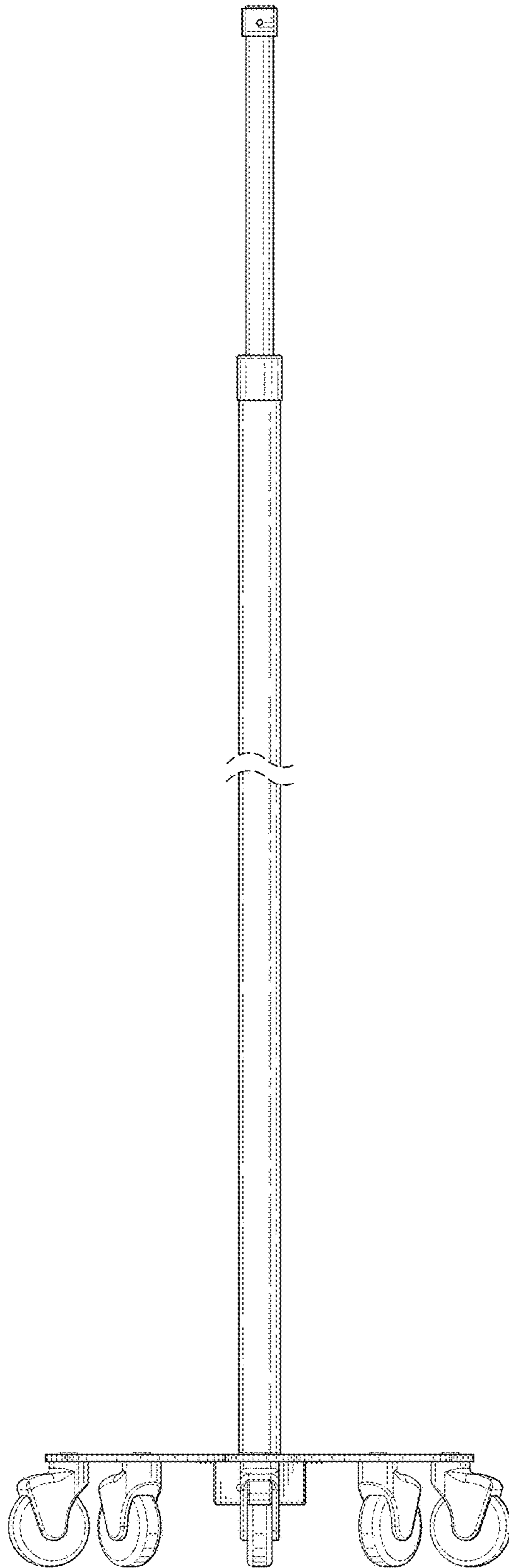


Fig. 3.

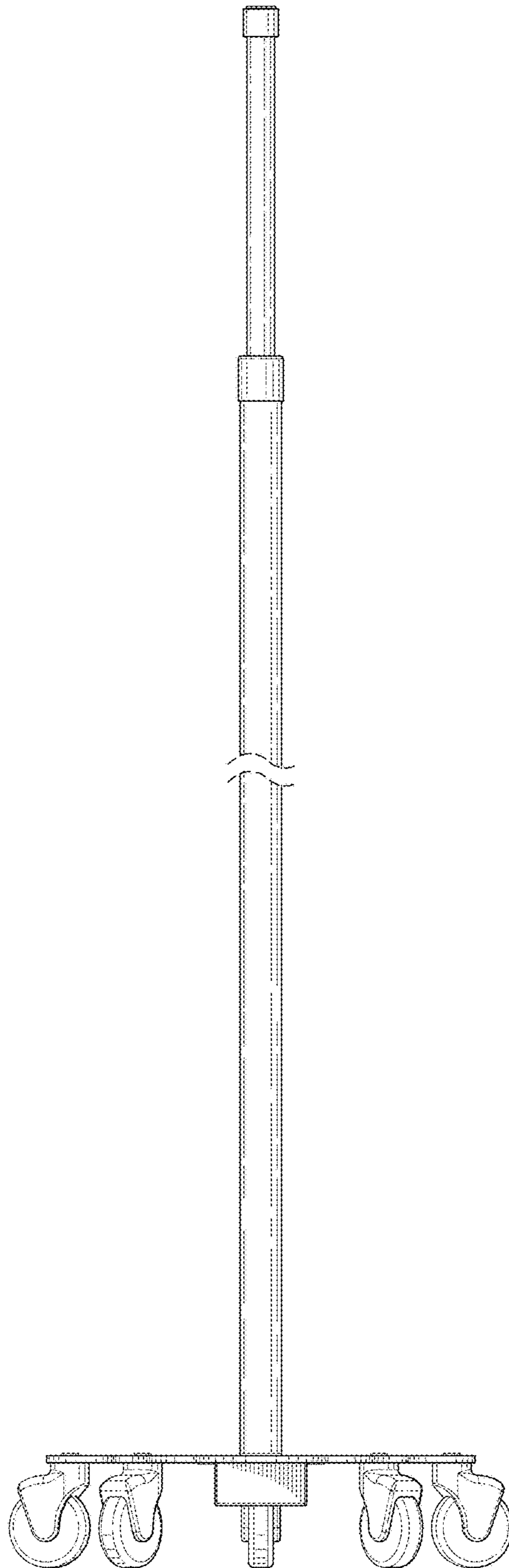


Fig. 4.

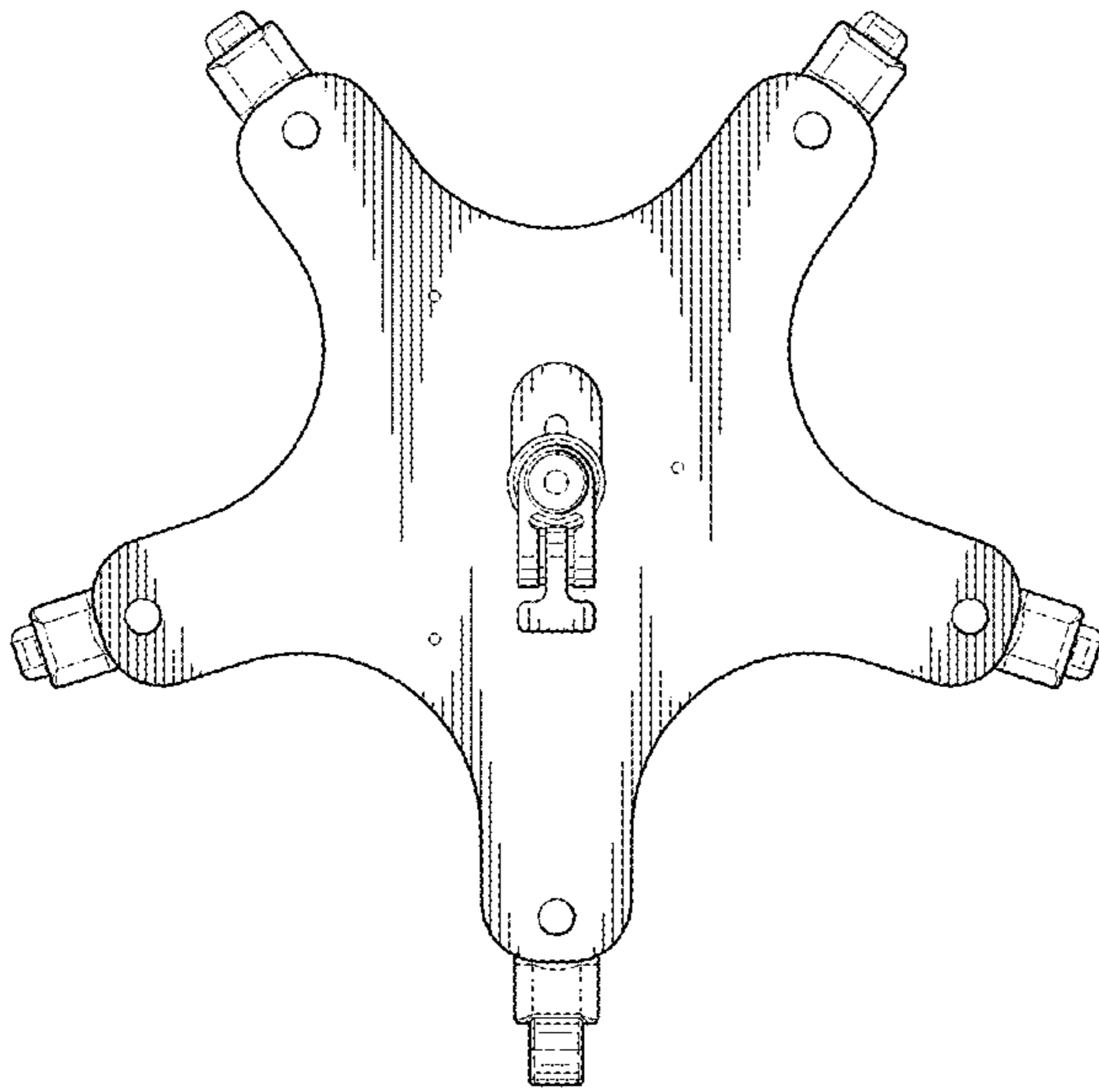


Fig. 5.

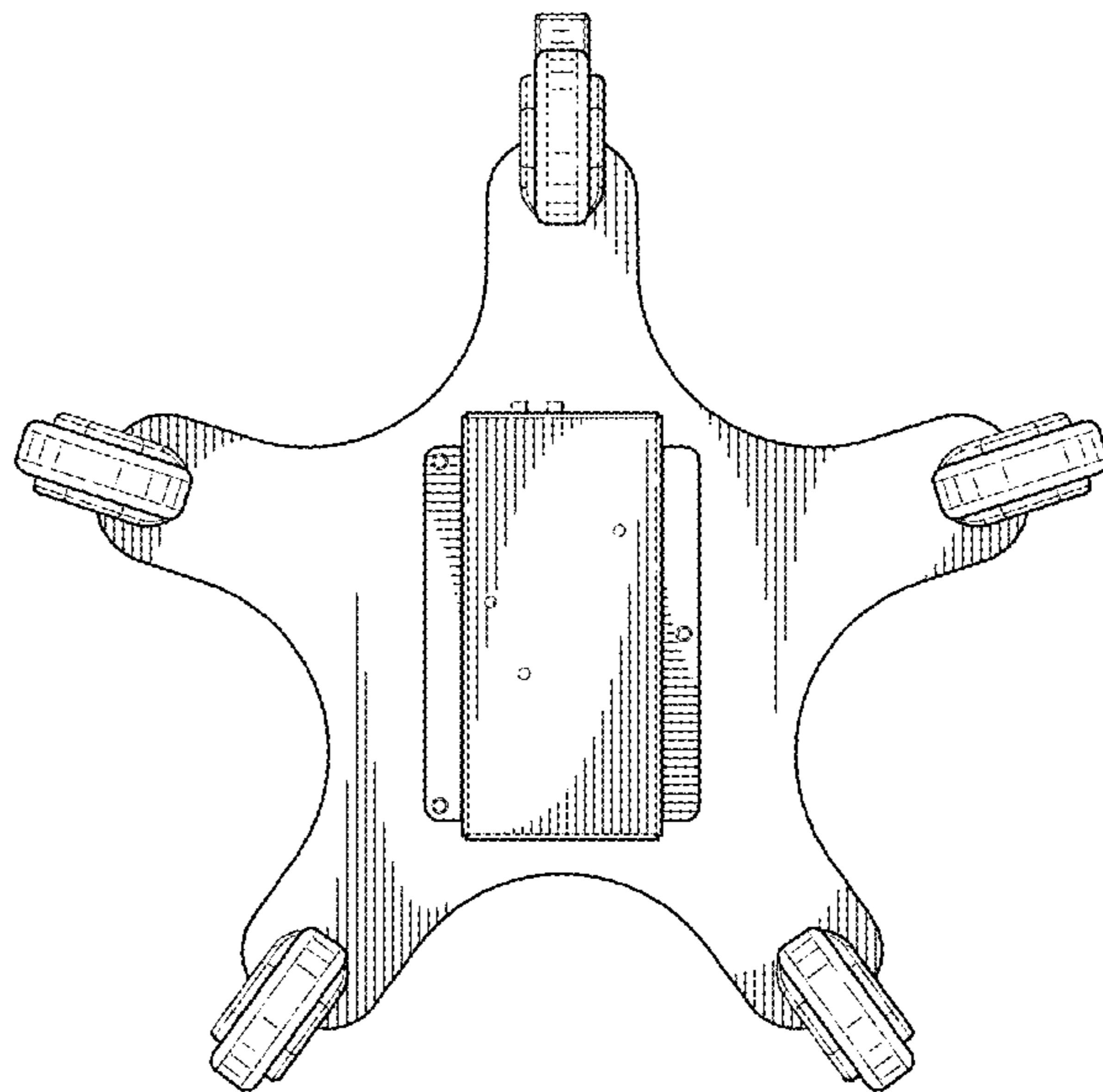


Fig. 6.

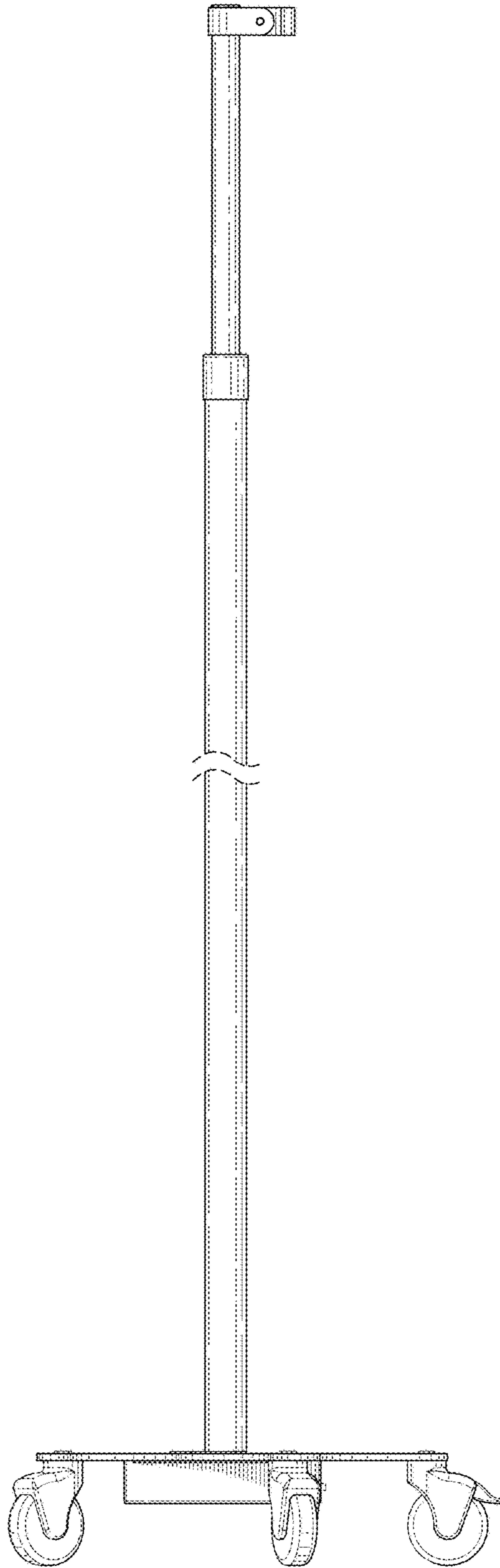


Fig. 7.

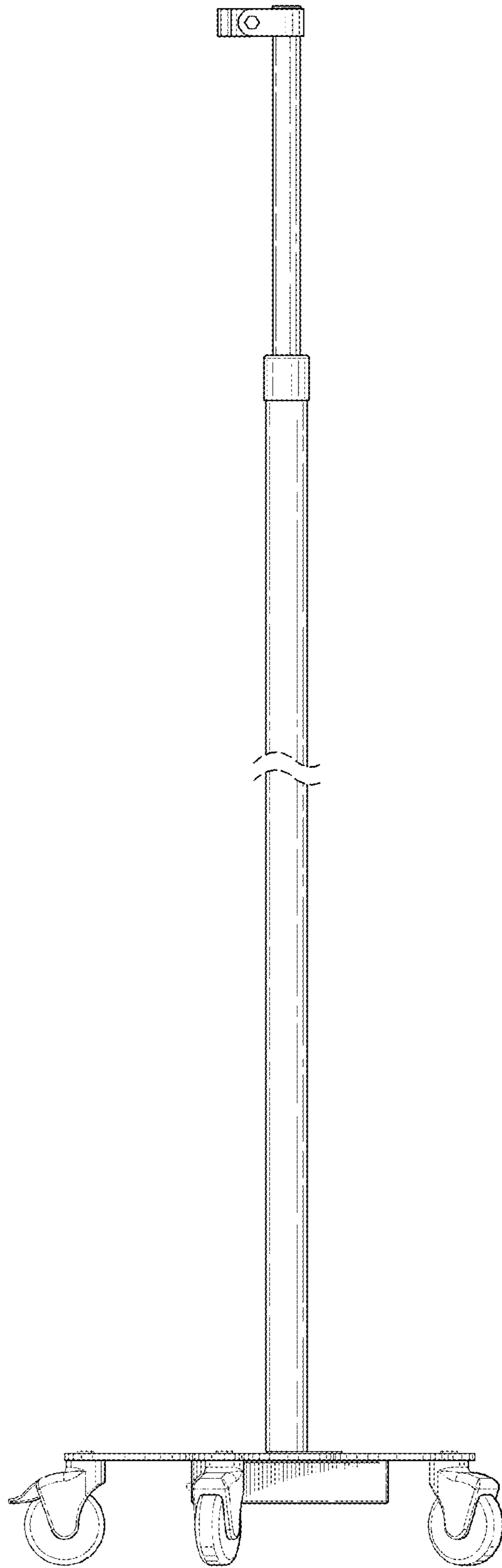


Fig. 8.