



US00D783834S

(12) **United States Design Patent**
Johnson et al.

(10) **Patent No.:** **US D783,834 S**

(45) **Date of Patent:** **** Apr. 11, 2017**

(54) **LEG SUPPORT**

(71) Applicants: **Scott A Johnson**, Centerville, OH (US);
Matthew Lawless, Xenia, OH (US)

(72) Inventors: **Scott A Johnson**, Centerville, OH (US);
Matthew Lawless, Xenia, OH (US)

(73) Assignee: **MSM Products, LLC**, Centerville, OH (US)

(**) Term: **15 Years**

(21) Appl. No.: **29/553,098**

(22) Filed: **Jan. 28, 2016**

(51) **LOC (10) Cl.** **24-01**

(52) **U.S. Cl.**
USPC **D24/184**

(58) **Field of Classification Search**
USPC D24/183-184, 190, 213, 215, 200, 212;
D6/502, 595, 596, 601, 648; 128/845,
128/869, 882; 5/636-640, 644, 646, 648,
5/650, 652, 421, 490; 602/6, 23;
607/114; 297/423.41; 601/27
CPC A61G 7/0755; A61G 7/075; A61G 7/072;
A61F 5/3761; A61F 7/0085; A61F 5/01;
A61F 5/0195; A61F 13/069; A61F 5/30;
A63B 21/0552; A63B 21/1672; A63B
21/4011; A47C 20/021; A47C 20/025;
A47C 20/023; A47C 16/02

See application file for complete search history.

(56) **References Cited**

U.S. PATENT DOCUMENTS

3,931,654 A * 1/1976 Spann A61F 5/3761
5/650

3,946,451 A * 3/1976 Spann A61G 7/0755
5/652

4,071,031 A * 1/1978 Lowman A61F 7/0085
5/421
4,270,235 A * 6/1981 Gutmann A61G 7/075
5/646
D296,932 S * 7/1988 Tranghese D24/183
D311,470 S * 10/1990 Cosgrove, III D6/601
5,046,487 A * 9/1991 Scott A63B 21/0552
601/27
5,125,123 A * 6/1992 Engle A47C 20/025
128/845
5,134,739 A * 8/1992 Gaffe A61G 7/0755
602/23
D345,797 S * 4/1994 Gardner D24/183
D359,804 S * 6/1995 Carter D24/183

(Continued)

Primary Examiner — Ian Simmons

Assistant Examiner — Mark Cavanna

(74) *Attorney, Agent, or Firm* — Neal O. Willmann

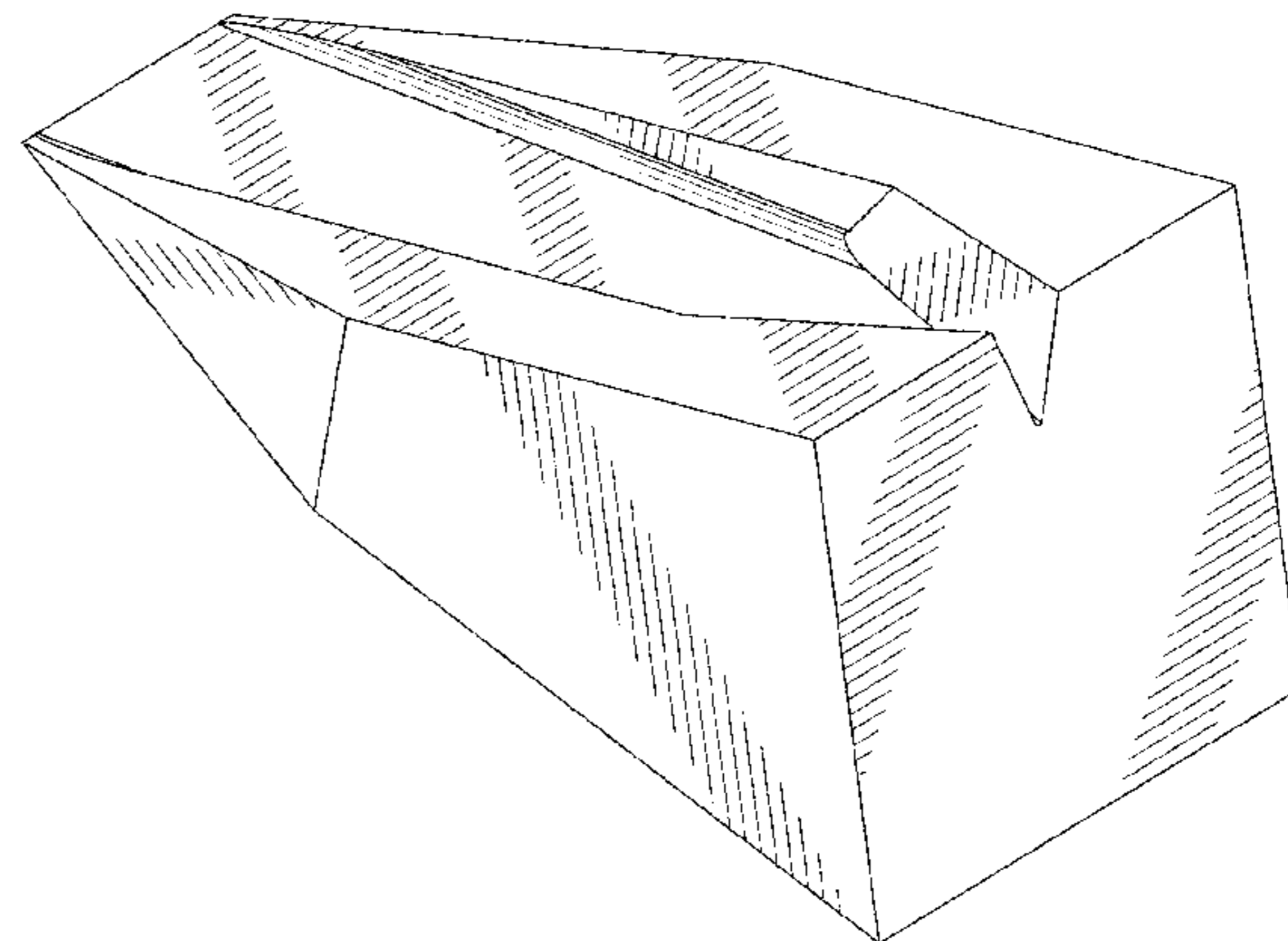
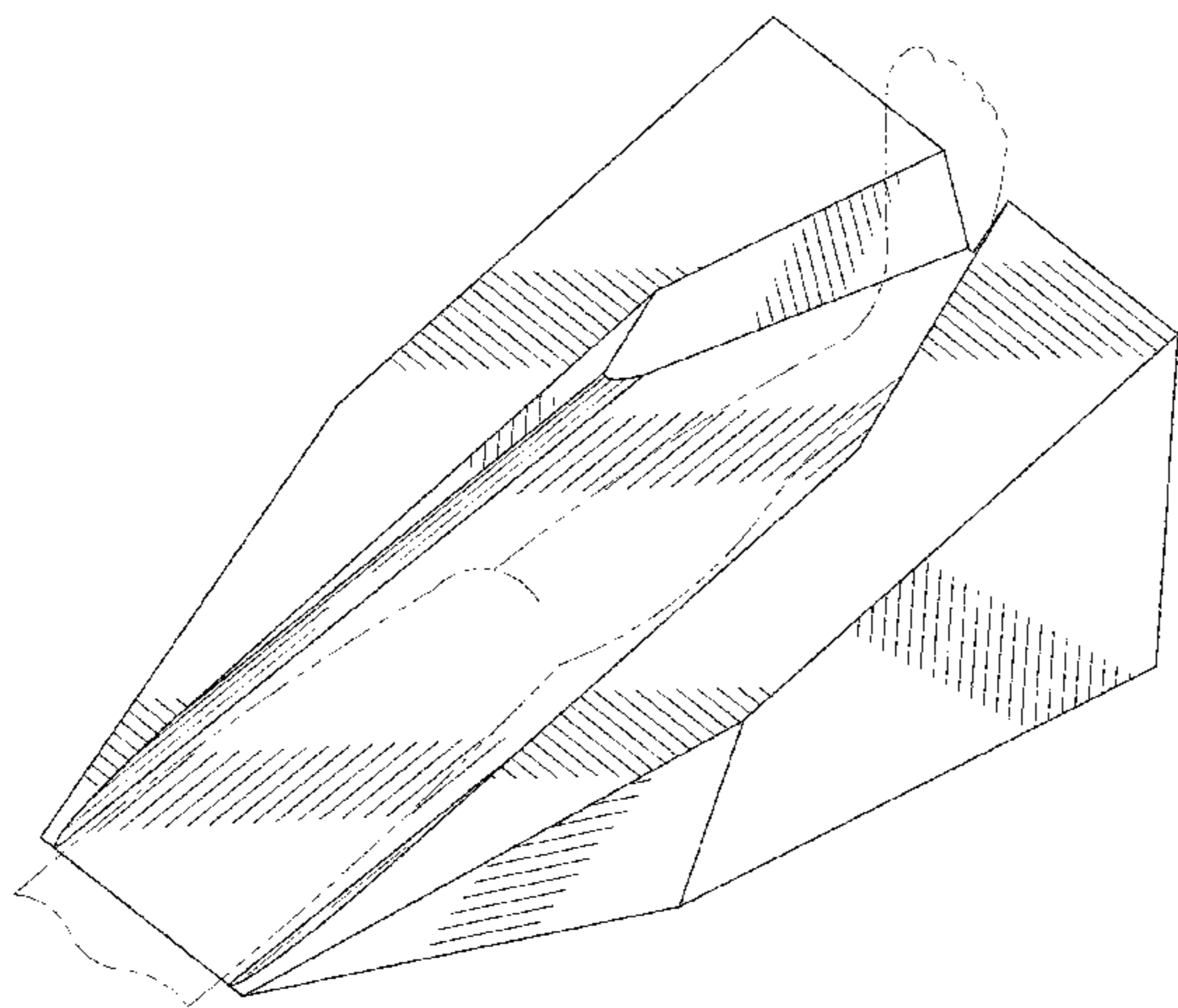
(57) **CLAIM**

The ornamental design for the leg support, as shown and described.

DESCRIPTION

FIG. 1 is a perspective view of a leg support showing our new design;
FIG. 2 is a perspective view from the back side thereof;
FIG. 3 is a front elevation view thereof;
FIG. 4 is a back side elevation view;
FIG. 5 is a right side elevation view thereof; the left side being a mirror image.
FIG. 6 is a top plan view thereof; and,
FIG. 7 is a bottom plan view thereof.
The partial leg and foot depicted in broken line are shown for illustrative purposes only and form no part of the claimed design.

1 Claim, 7 Drawing Sheets



(56)

References Cited

U.S. PATENT DOCUMENTS

5,477,866 A * 12/1995 Davenport A61G 7/0755
5/648
5,584,303 A * 12/1996 Walle A61F 13/069
128/882
D386,643 S * 11/1997 Farrell D6/596
D387,167 S * 12/1997 Klein D24/183
5,745,939 A * 5/1998 Flick A61G 7/072
5/490
5,997,491 A * 12/1999 Harris A47C 20/021
128/882
6,032,669 A * 3/2000 Klein A61G 7/075
128/845
D422,362 S * 4/2000 Ames D24/190
D424,698 S * 5/2000 Ames D24/183
D464,520 S * 10/2002 Bond D6/601
D565,734 S * 4/2008 Scott D24/183
D625,421 S * 10/2010 Sharps D24/184
D642,694 S * 8/2011 Sharps D24/183
D732,174 S * 6/2015 Johnson D24/184
D736,391 S * 8/2015 Johnson D24/184
D759,825 S * 6/2016 Johnson D24/184
2004/0070254 A1 * 4/2004 Conlon A47C 16/02
297/423.41
2013/0319426 A1 * 12/2013 Castle A61F 5/30
128/845

* cited by examiner

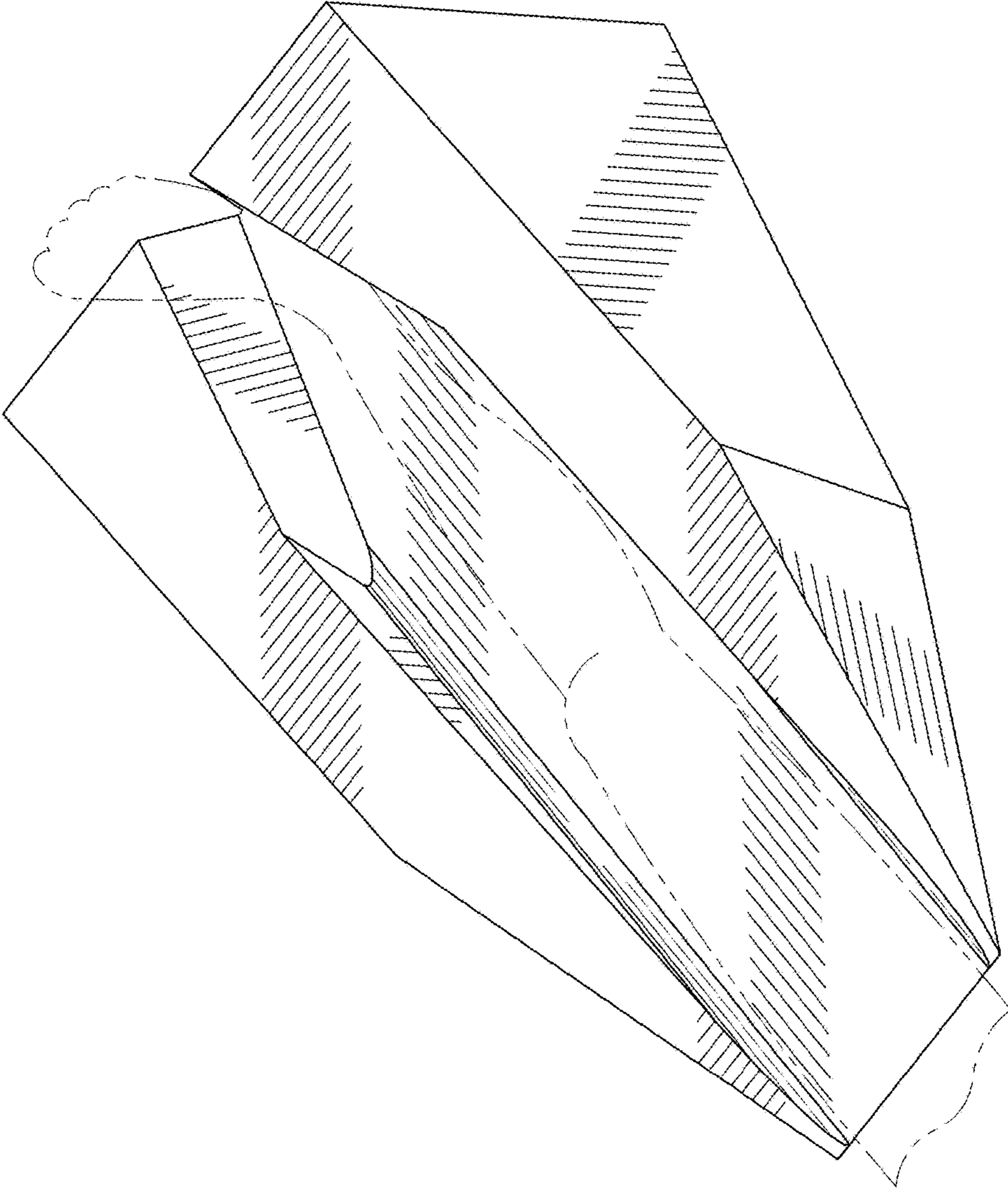


Fig. 1

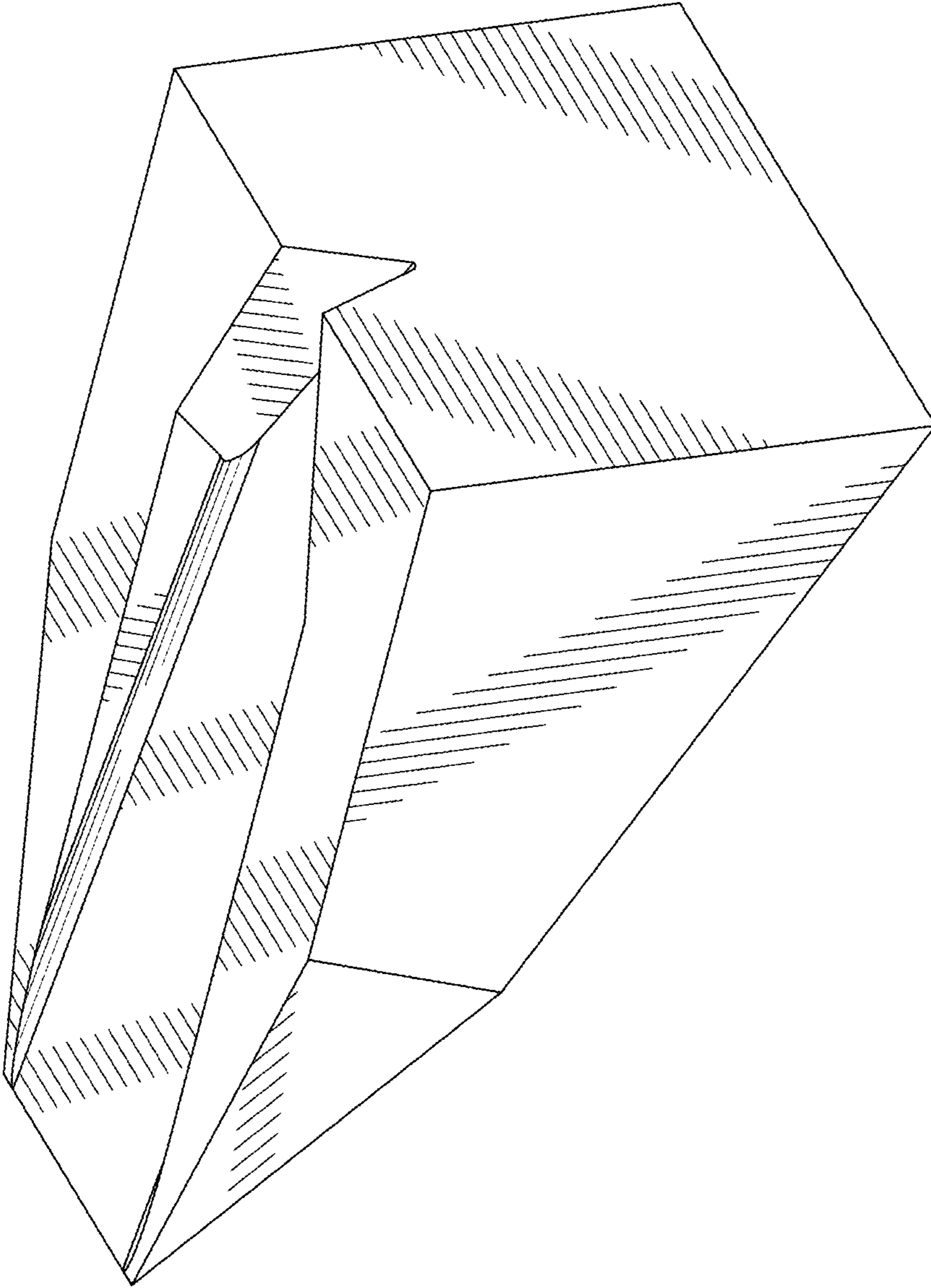


Fig. 2

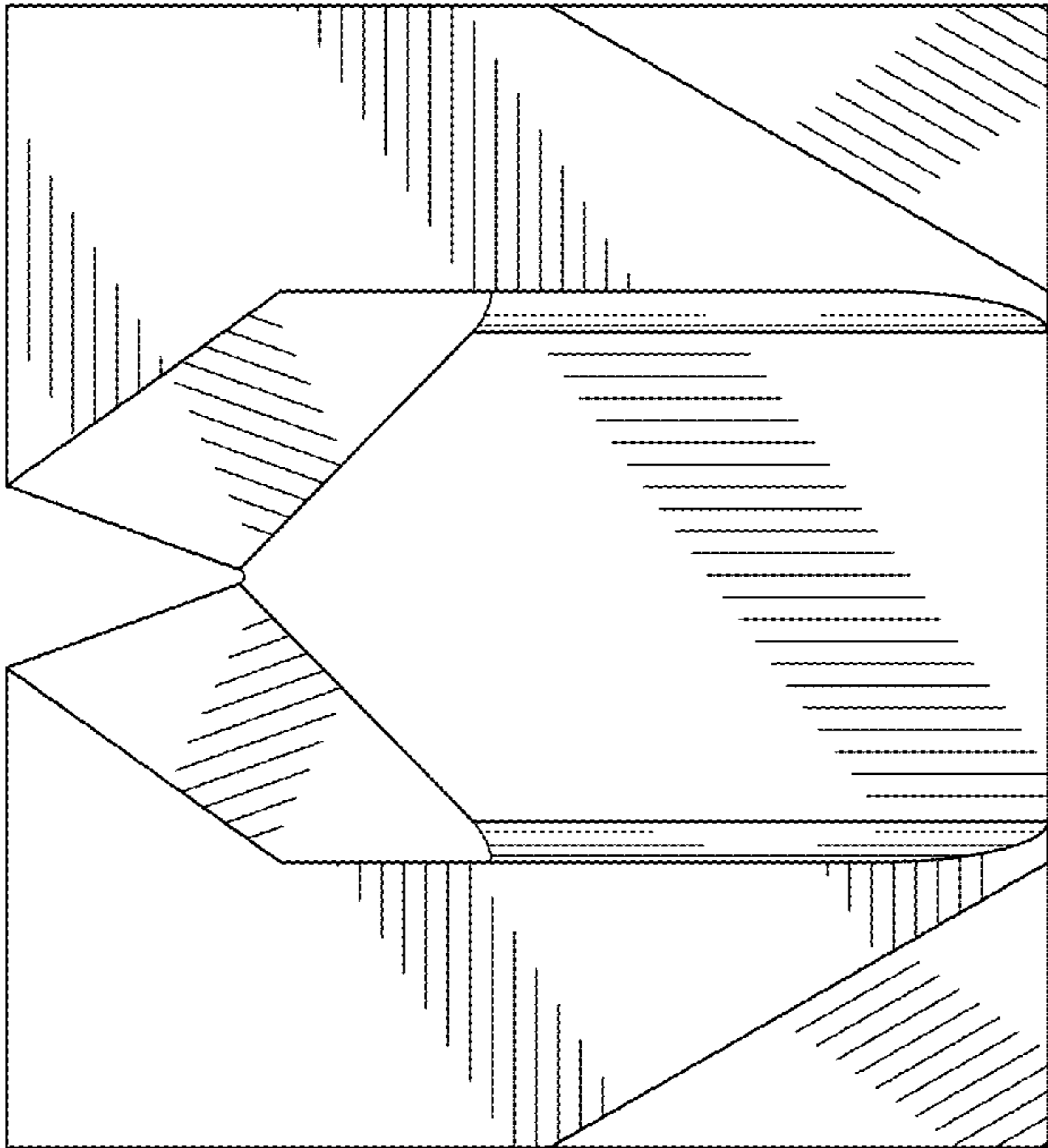


Fig. 3

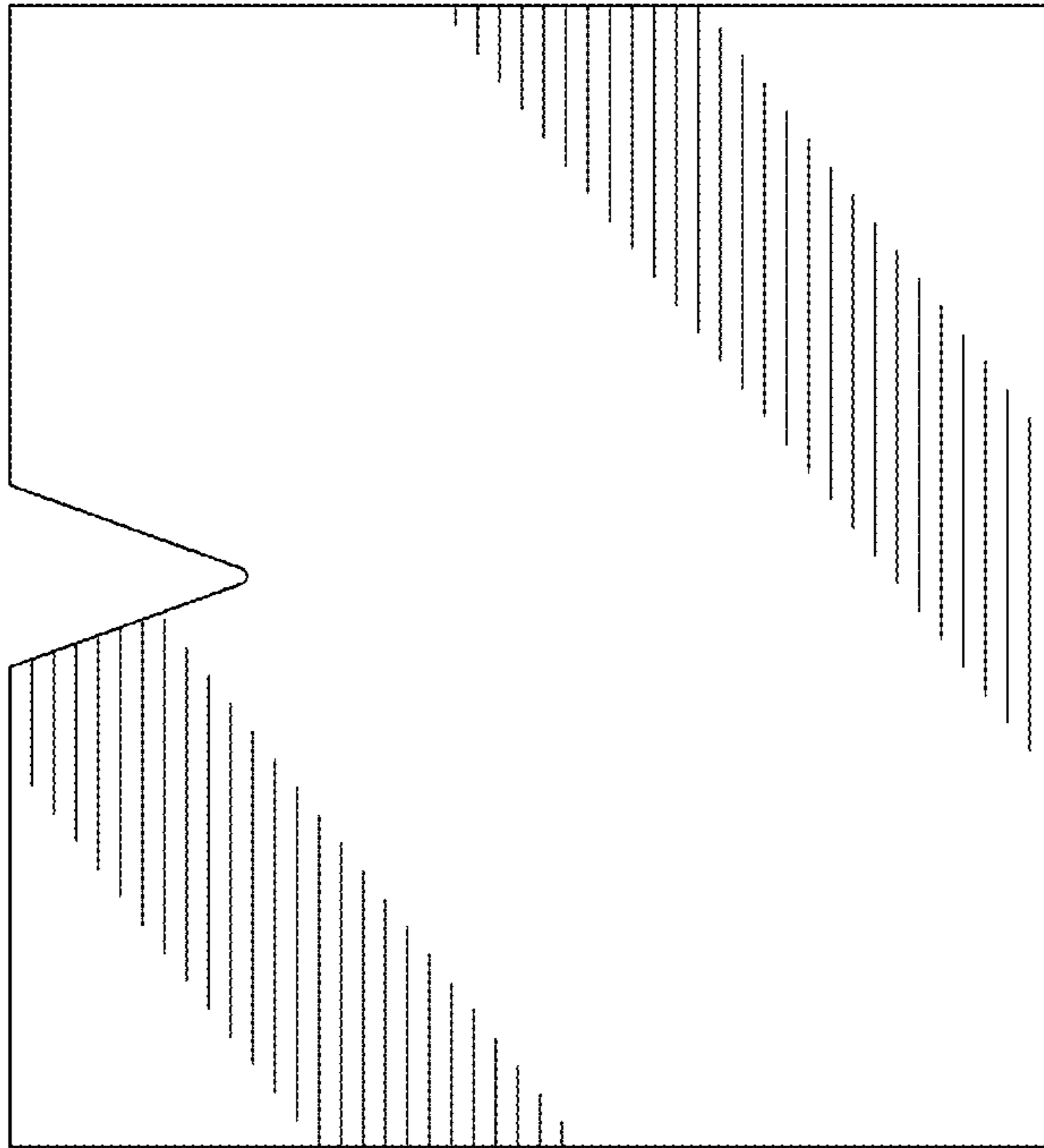


Fig. 4

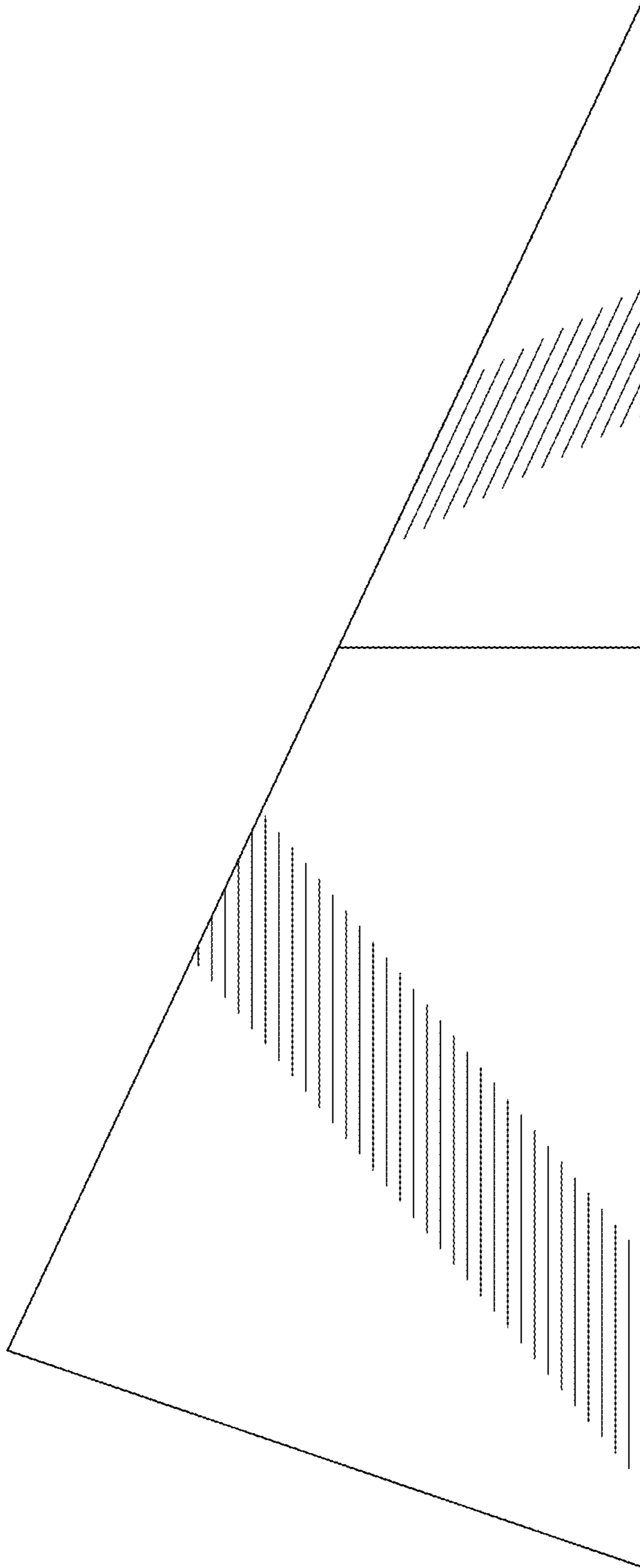


Fig. 5

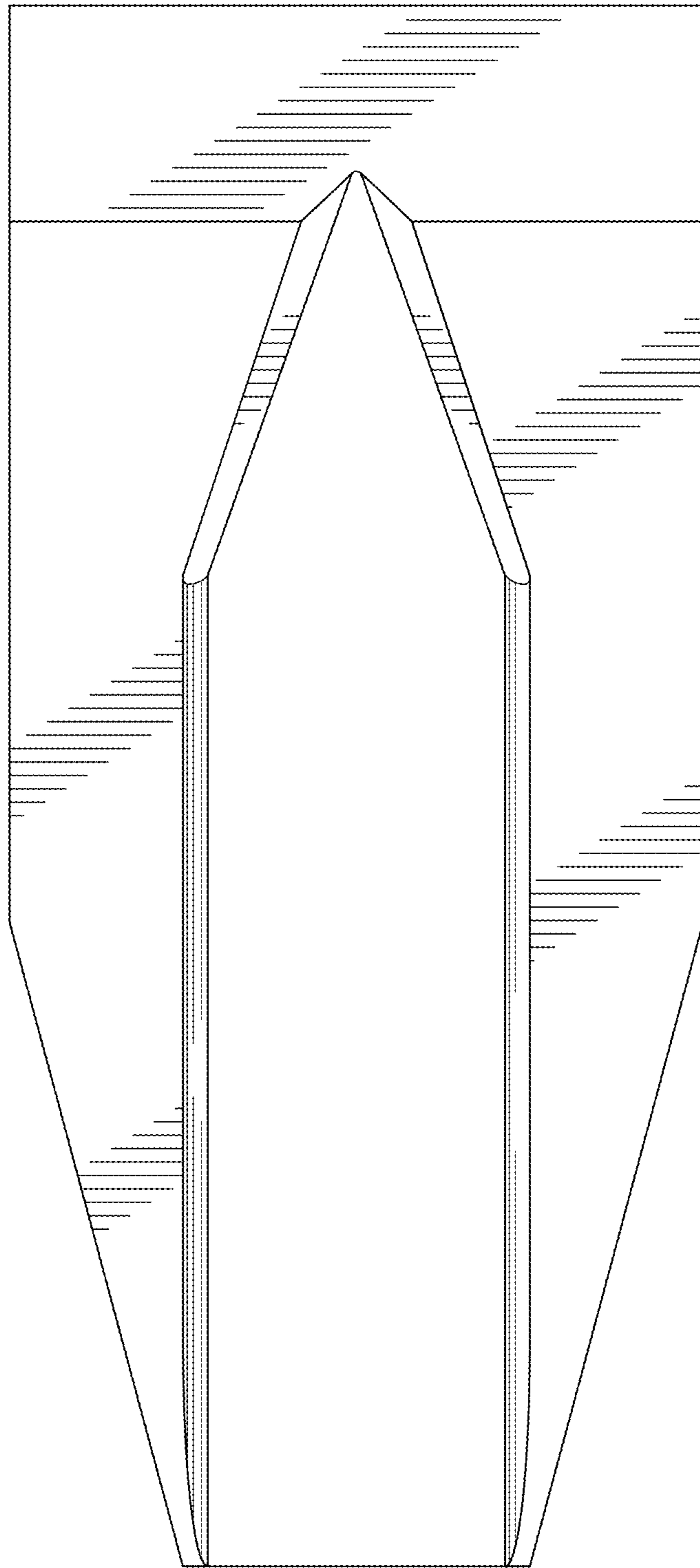


Fig.6

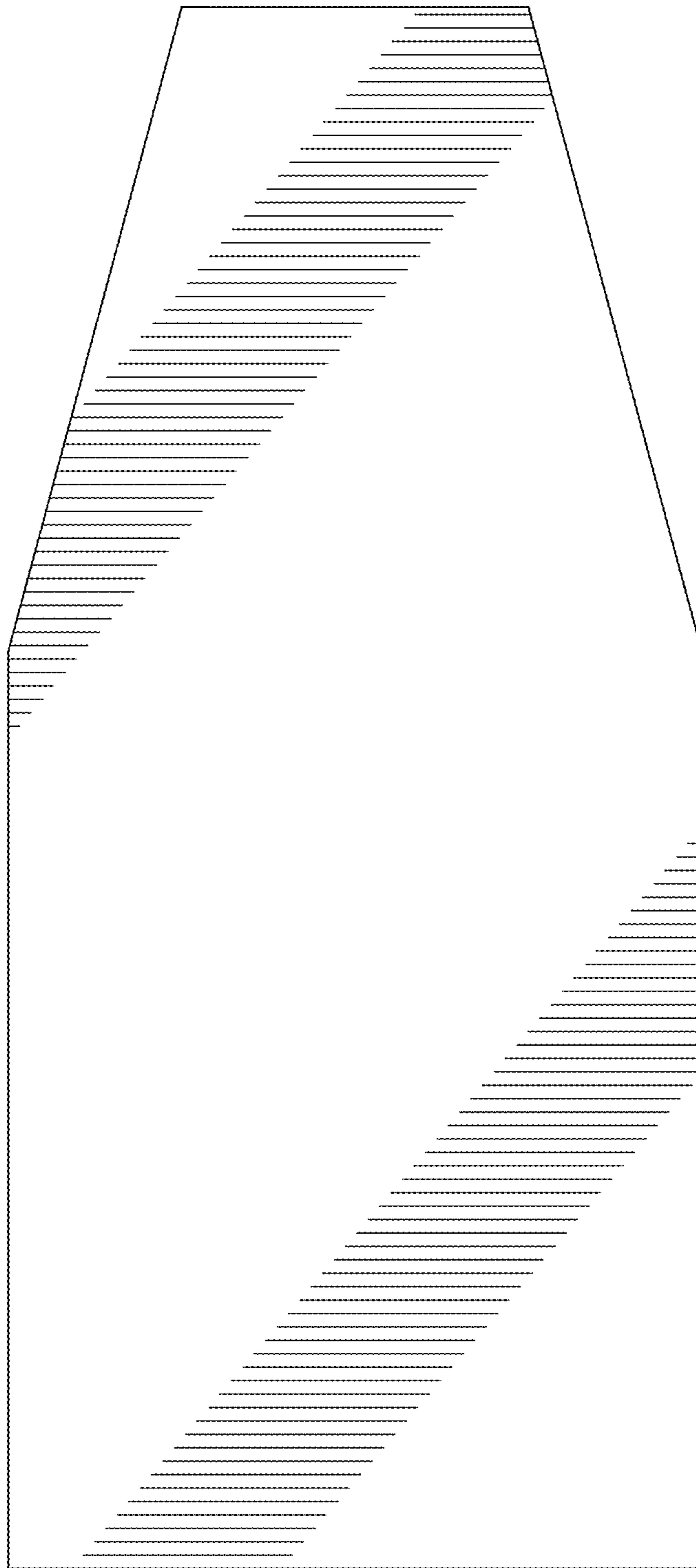


Fig. 7