



US00D783831S

(12) **United States Design Patent**
Ogura

(10) **Patent No.:** **US D783,831 S**
(45) **Date of Patent:** **** Apr. 11, 2017**

(54) **MEDICAL X-RAY IMAGING APPARATUS**

(71) Applicant: **FUJIFILM Corporation**, Tokyo (JP)

(72) Inventor: **Ryosuke Ogura**, Kanagawa (JP)

(73) Assignee: **FUJIFILM Corporation**, Tokyo (JP)

(**) Term: **15 Years**

(21) Appl. No.: **29/565,706**

(22) Filed: **May 24, 2016**

(30) **Foreign Application Priority Data**

Nov. 27, 2015 (JP) 2015-026551

(51) **LOC (10) Cl.** **24-01**

(52) **U.S. Cl.**
USPC **D24/158**

(58) **Field of Classification Search**
USPC D24/158-161, 185, 186, 107; D34/16,
D34/23
CPC .. A61B 5/05; A61B 5/055; A61B 6/03; A61B
6/035; A61B 6/4405; A61B 6/4411; A61B
6/4435; A61B 6/4441; A61B 6/4447
See application file for complete search history.

(56) **References Cited**

U.S. PATENT DOCUMENTS

D700,706 S * 3/2014 Molter D24/185
D714,941 S * 10/2014 Kim D24/158
D735,342 S * 7/2015 Asad D24/185
D743,558 S * 11/2015 Kim D24/158
D751,209 S * 3/2016 DiMino D24/186
2007/0133753 A1 * 6/2007 Jakob A61B 6/4405
378/198

2012/0148031 A1* 6/2012 Eaves A61B 6/4405
378/198
2013/0136240 A1* 5/2013
Causape
Rodriguez A61B 6/4405
378/198
2014/0233703 A1* 8/2014 Omura A61B 6/4405
378/98
2016/0120489 A1* 5/2016 Yang A61B 6/4405
378/62

* cited by examiner

Primary Examiner — Anhdao Doan

(74) *Attorney, Agent, or Firm* — Young & Thompson

(57) **CLAIM**

The ornamental design for an X-ray imaging apparatus, as shown and described.

DESCRIPTION

FIG. 1 is a top, front and left side perspective view of a medical X-ray imaging apparatus showing my new design; FIG. 2 is a top, rear and left side perspective view thereof; FIG. 3 is a front elevational view thereof; FIG. 4 is a rear elevational view thereof; FIG. 5 is a top plan view thereof; FIG. 6 is a bottom plan view thereof; FIG. 7 is a left side elevational view thereof; FIG. 8 is a right side elevational view thereof; and, FIG. 9 is a top, rear and left side perspective view thereof, showing a state that an electronic cassette is put in a housing section such that the electronic cassette is charged. The broken line portions of the X-ray imaging apparatus throughout the drawings are shown to illustrate environment only and form no part of the claimed design. The dash-dot broken lines in FIGS. 1 and 5 to 8 define the bounds of the claimed design and form no part thereof.

1 Claim, 9 Drawing Sheets

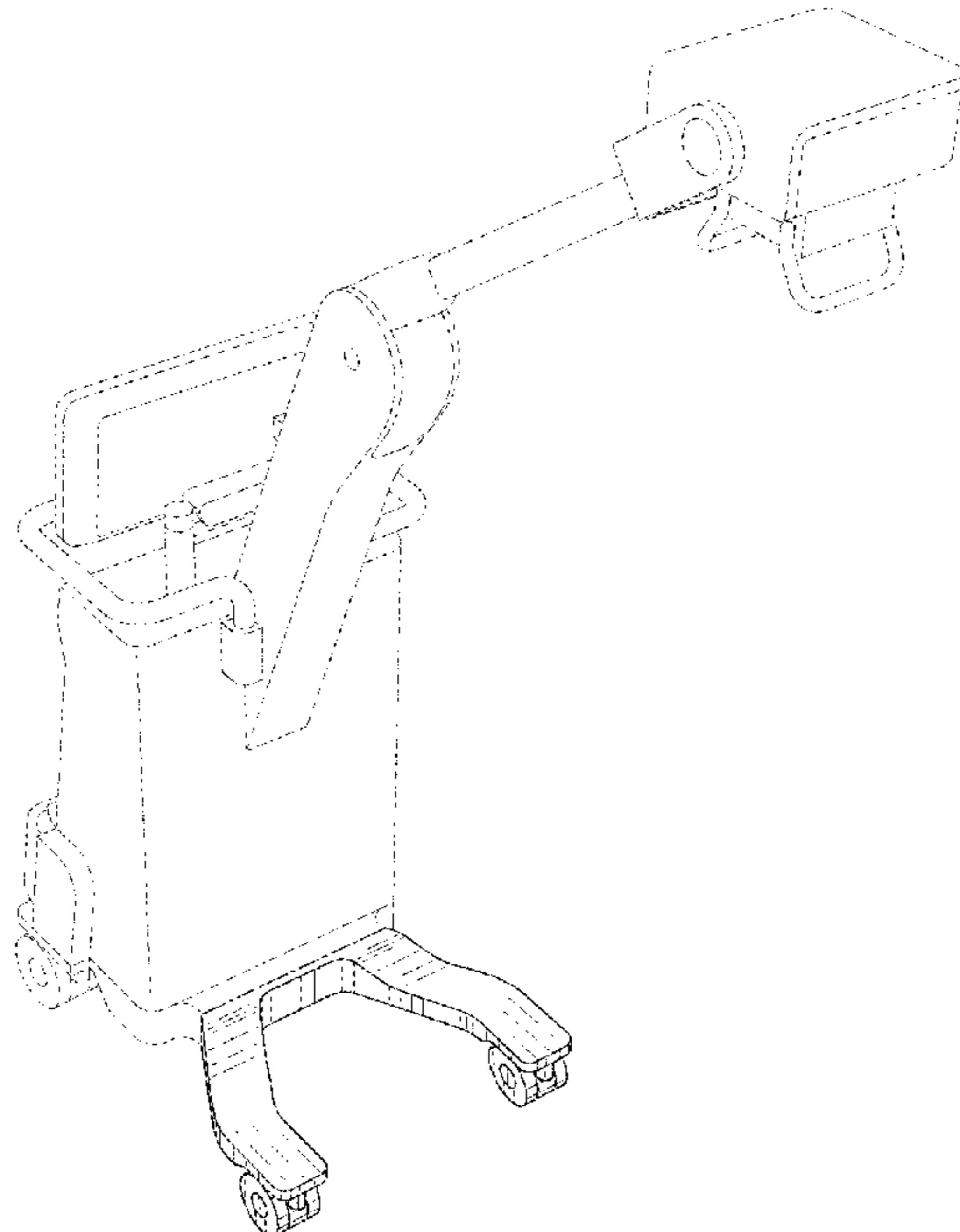


FIG. 1

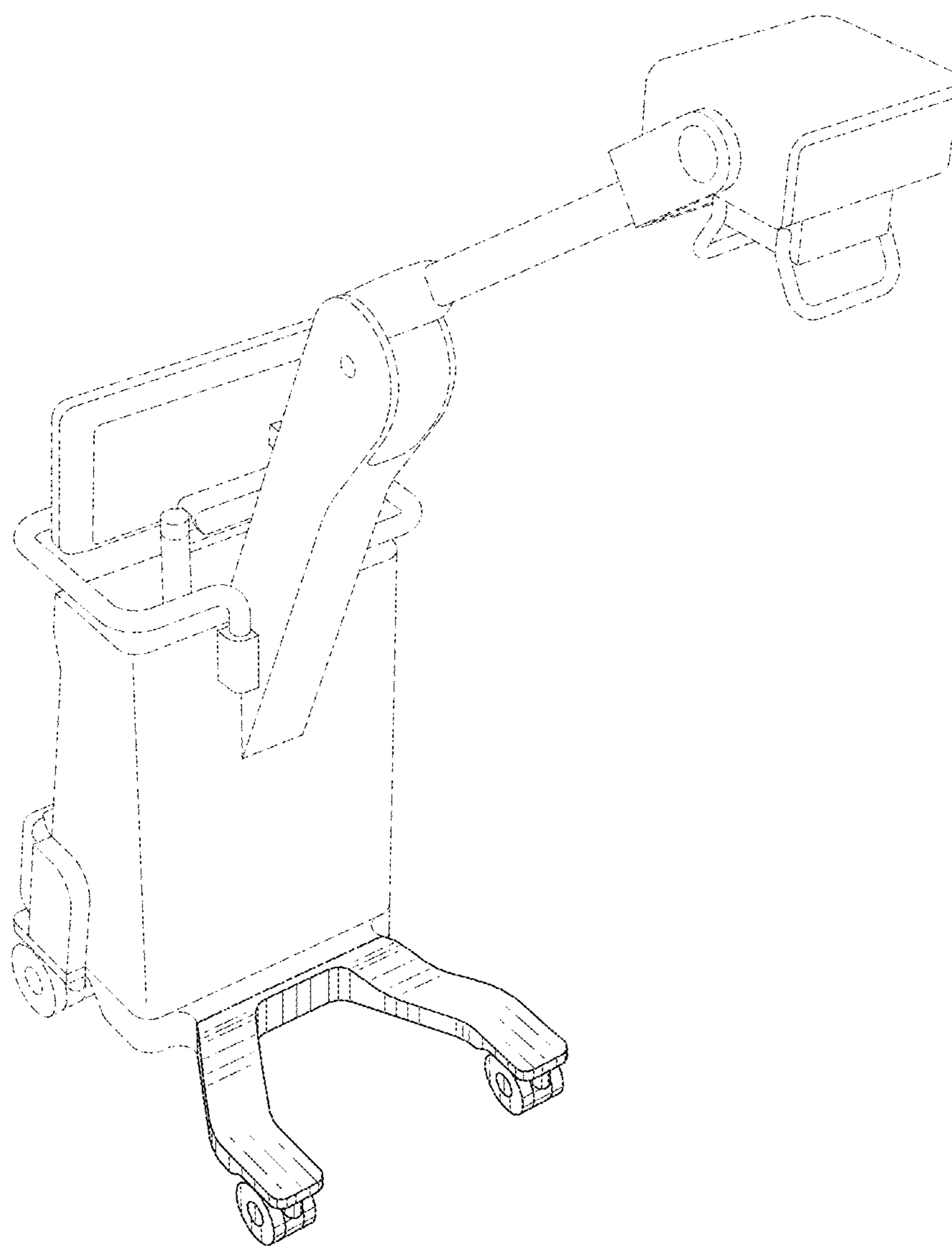


FIG. 2

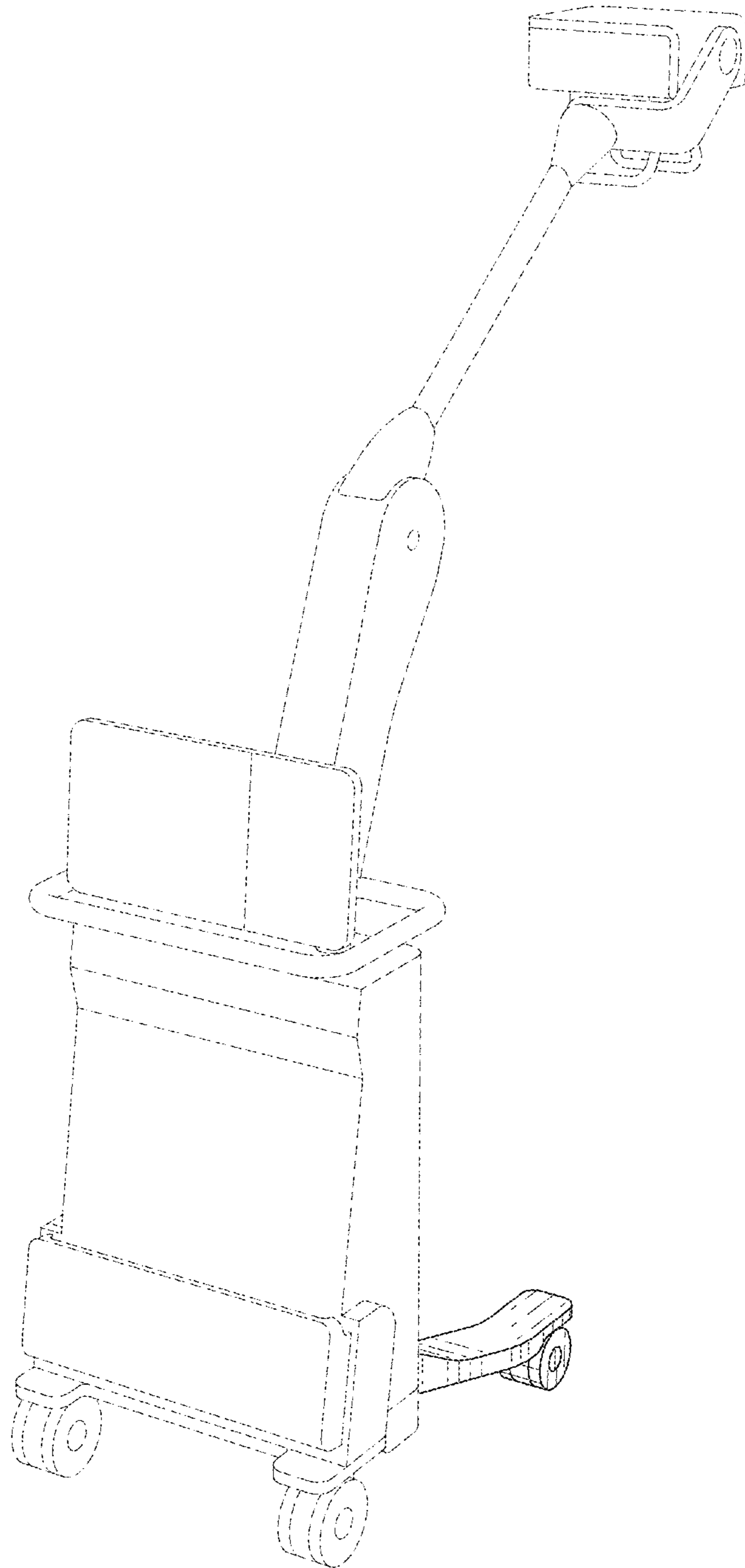


FIG. 3

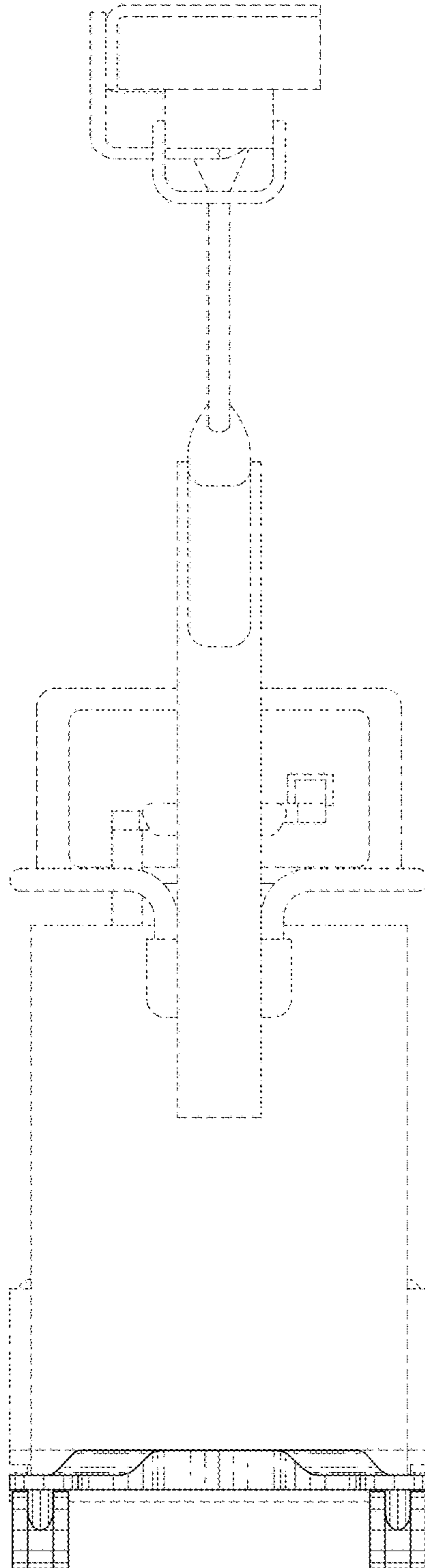


FIG. 4

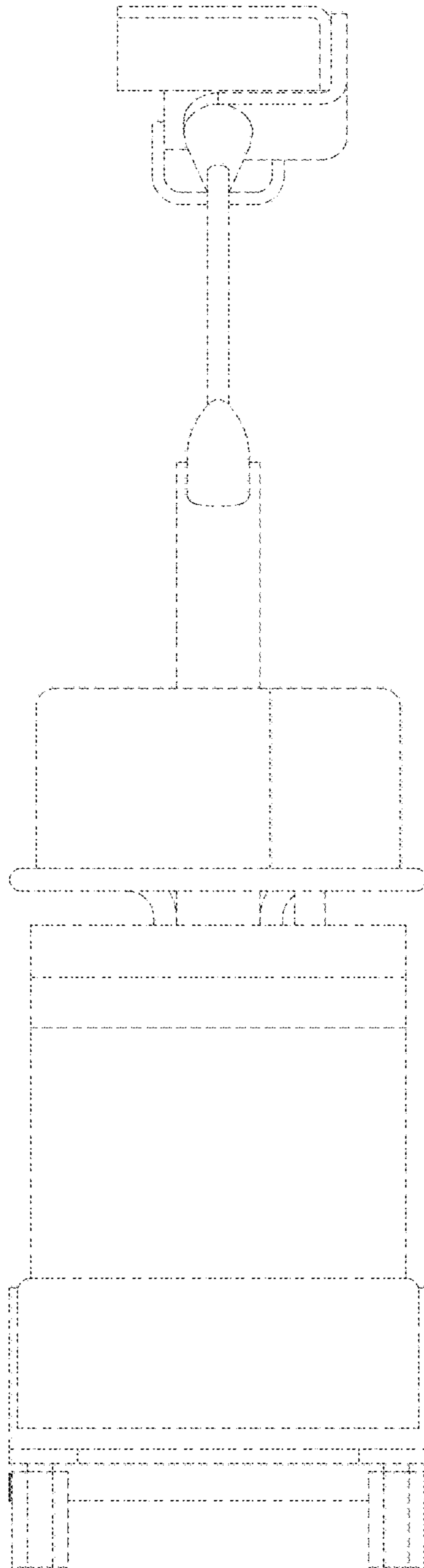


FIG. 5

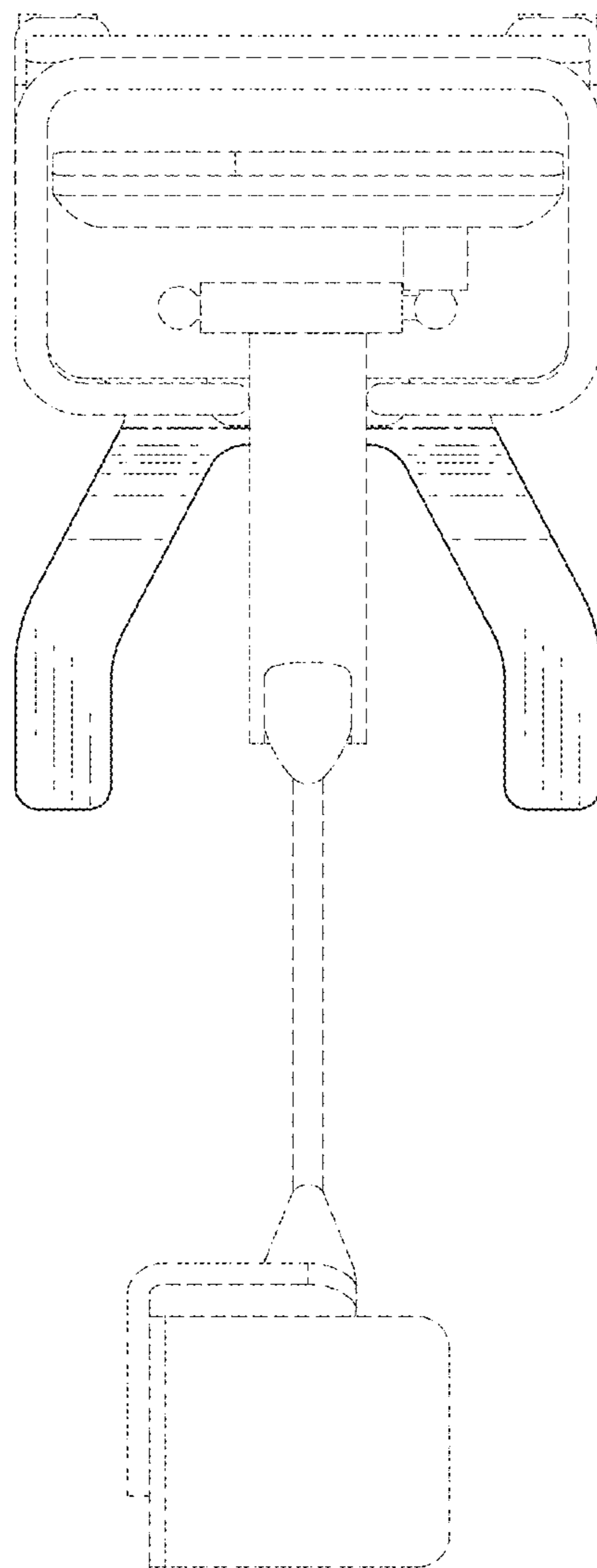


FIG. 6

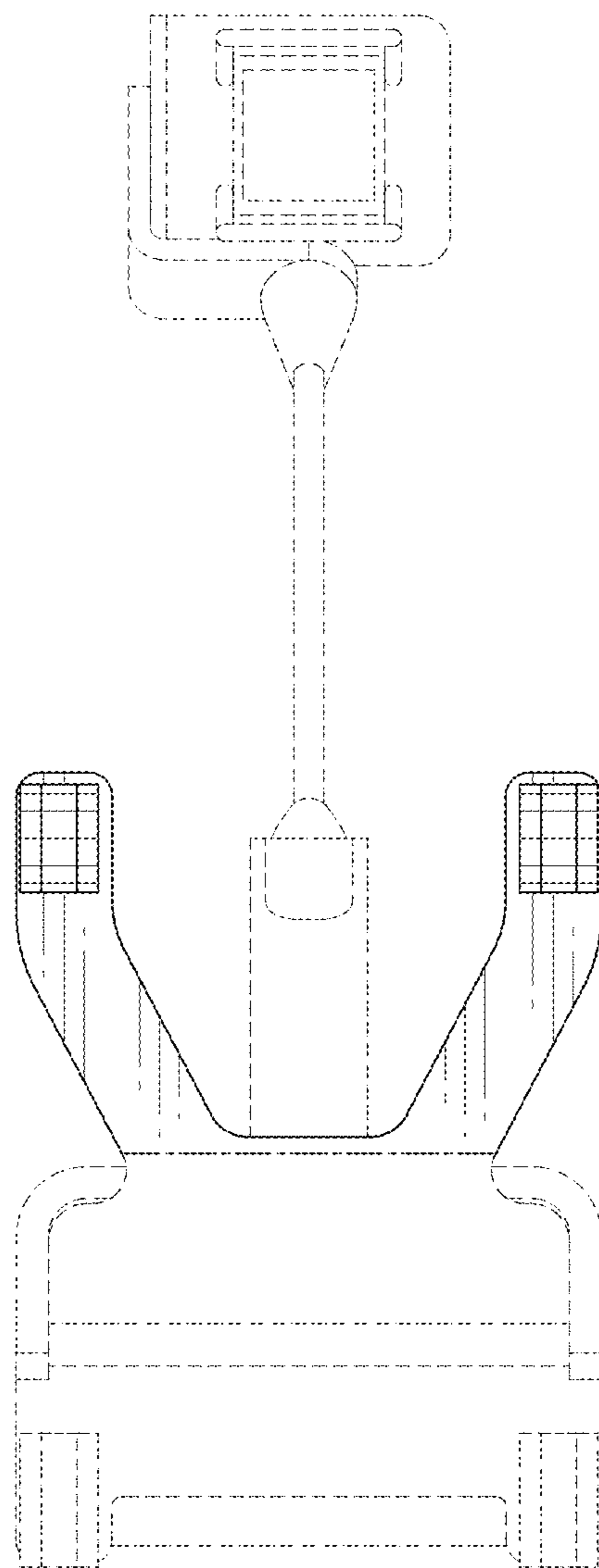


FIG. 7

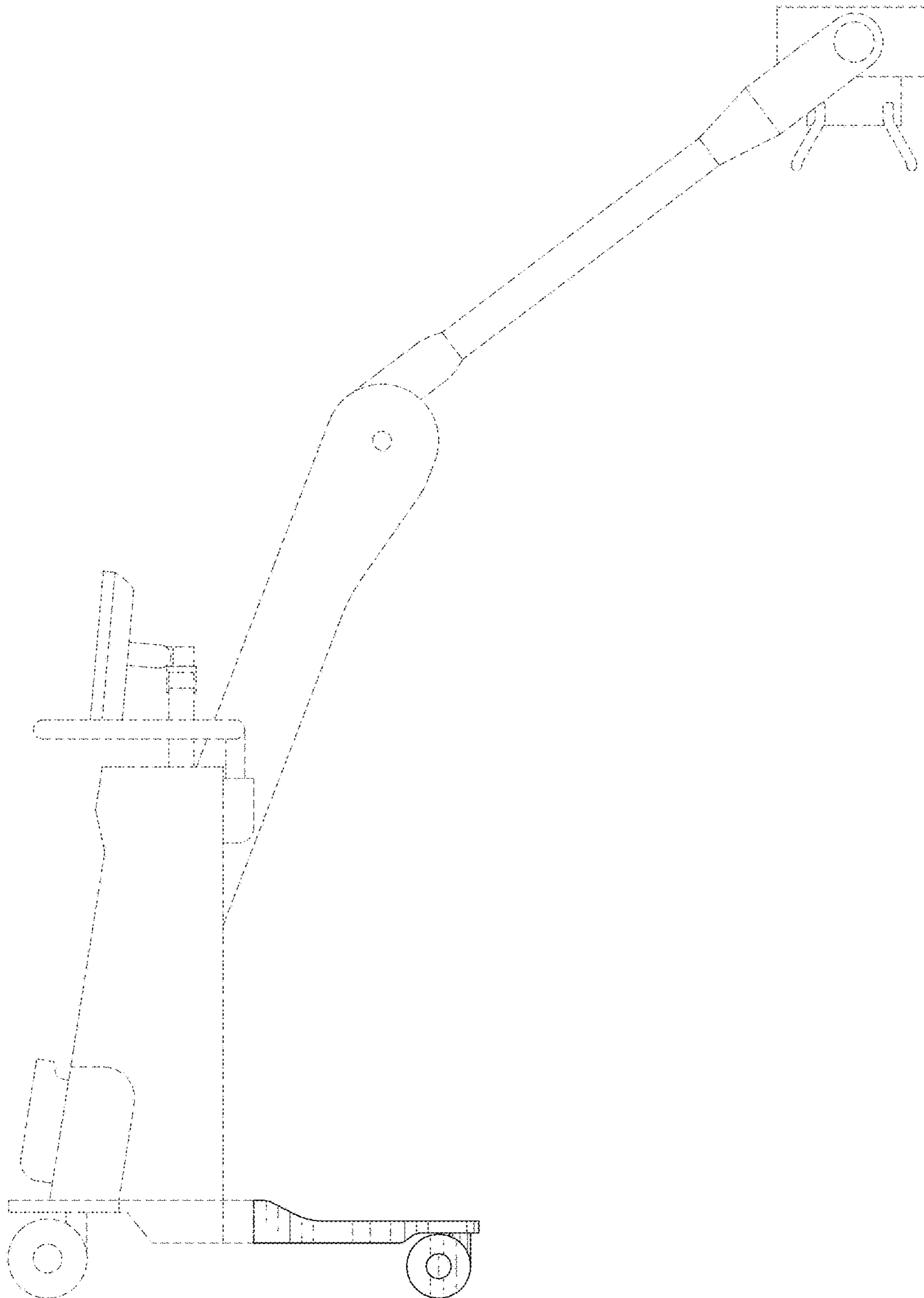


FIG. 8

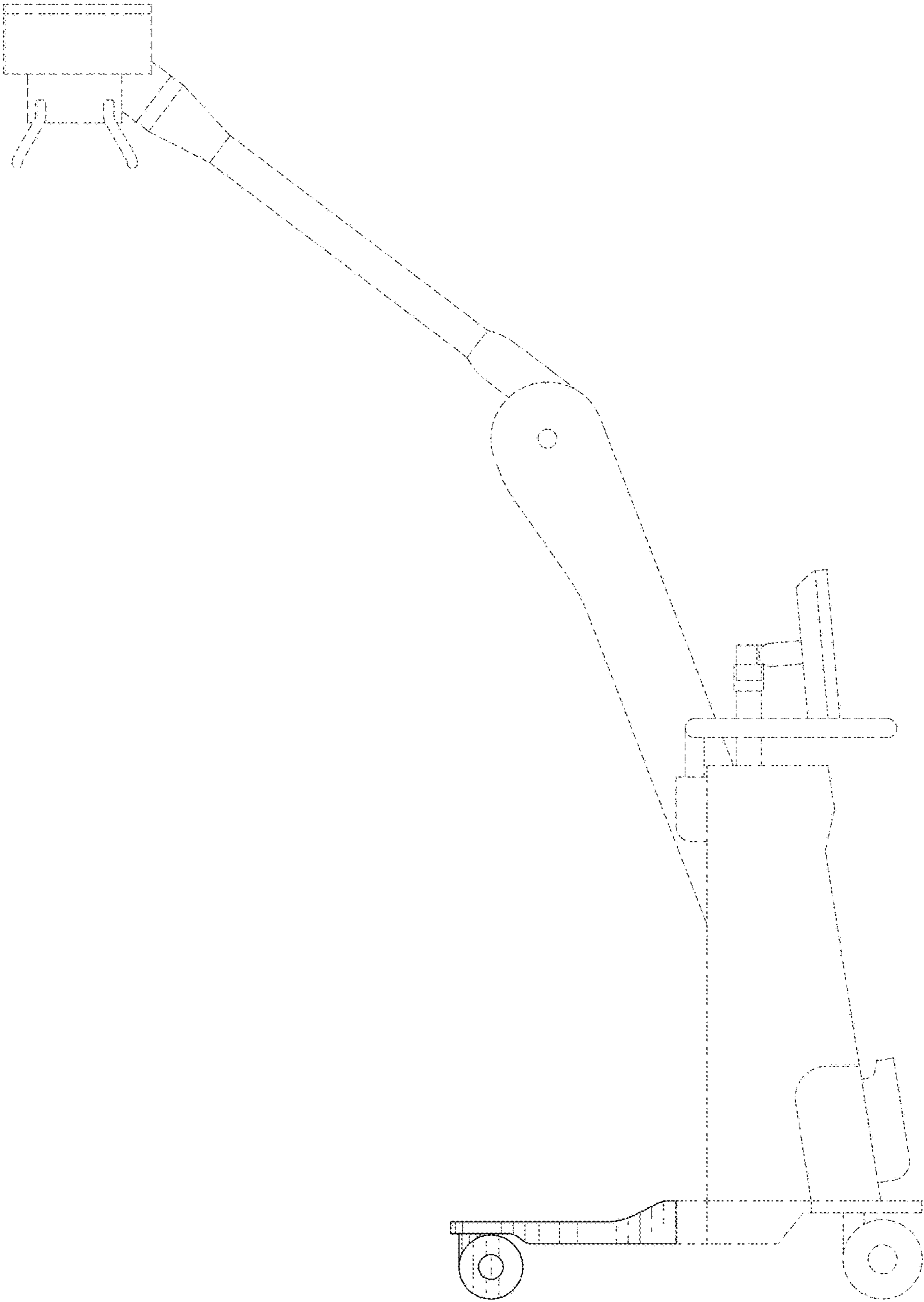


FIG. 9

