



US00D783830S

(12) **United States Design Patent** (10) **Patent No.:** **US D783,830 S**
Baba (45) **Date of Patent:** **** Apr. 11, 2017**

(54) **SCANNER FOR AN X-RAY TOMOGRAPHY DIAGNOSIS APPARATUS**

FOREIGN PATENT DOCUMENTS

JP D1299954 5/2007
JP D1359834 3/2010

(71) Applicants: **Kabushiki Kaisha Toshiba**, Minato-ku, Tokyo (JP); **Toshiba Medical Systems Corporation**, Otawara-shi, Tochigi-ken (JP)

(Continued)

Primary Examiner — Anhdao Doan
(74) *Attorney, Agent, or Firm* — Banner & Witcoff, Ltd.

(72) Inventor: **Noriaki Baba**, Tokyo (JP)

(57) **CLAIM**

The ornamental design for a scanner for an X-ray tomography diagnosis apparatus, as shown and described.

(73) Assignee: **Toshiba Medical Systems Corporation**, Otawara-shi, Tochigi-ken (JP)

DESCRIPTION

(**) Term: **15 Years**

FIG. 1 is a front, top and right side perspective view of a scanner for an X-ray tomography diagnosis apparatus, showing my new design;
FIG. 2 is a rear, top and right side perspective view thereof;
FIG. 3 is a front view thereof;
FIG. 4 is a rear view thereof;
FIG. 5 is a top view thereof;
FIG. 6 is a bottom view thereof;
FIG. 7 is a left side view thereof;
FIG. 8 is a right side view thereof;
FIG. 9 is an enlarged cross-sectional view thereof; taken along line 9-9 in FIG. 3;
FIG. 10 is an enlarged cross-sectional view thereof; taken along line 10-10 in FIG. 3;
FIG. 11 is an enlarged fragmented view thereof; taken along line 11 in FIG. 9;
FIG. 12 is an enlarged fragmented view thereof; taken along line 12 in FIG. 10;
FIG. 13 is an enlarged fragmented view thereof; taken along line 13 in FIG. 10; and,
FIG. 14 is a perspective view showing an operating state. The broken lines showing in FIGS. 9 and 10 are included to indicate the cutting plane of FIGS. 11, 12 and 13. The broken lines shown in FIGS. 9, 10, 11, 12 and 13 are for environmental purposes only form no part of the claimed design.

(21) Appl. No.: **29/558,017**

(22) Filed: **Mar. 15, 2016**

(30) **Foreign Application Priority Data**

Oct. 29, 2015 (JP) 2015-024158

(51) **LOC (10) Cl.** **24-01**

(52) **U.S. Cl.**
USPC **D24/158**

(58) **Field of Classification Search**
USPC D24/158-161, 185, 186, 107

(Continued)

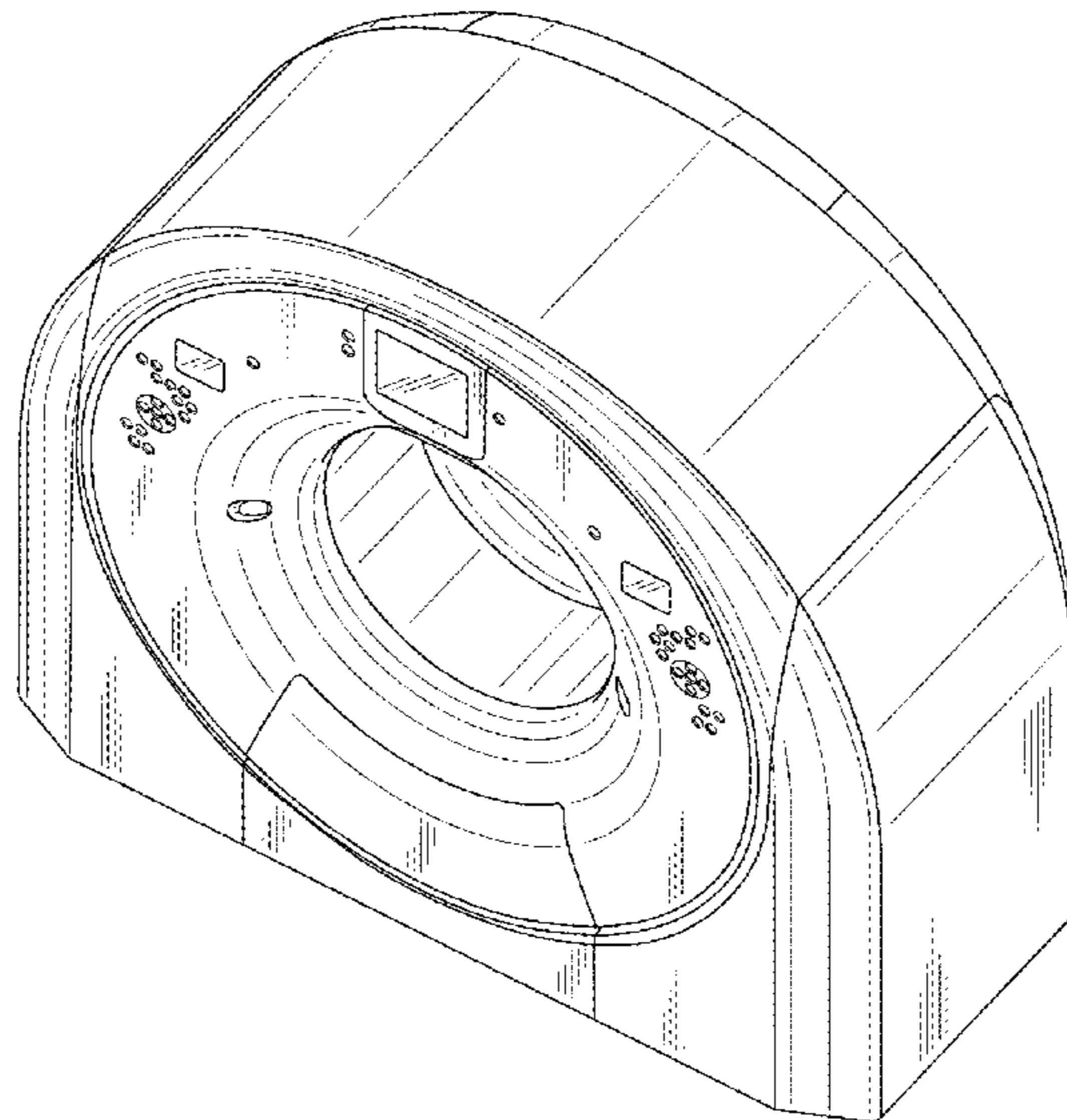
(56) **References Cited**

U.S. PATENT DOCUMENTS

D420,134 S * 2/2000 Kitayama D24/159
D701,312 S * 3/2014 Ohmukai D24/158

(Continued)

1 Claim, 10 Drawing Sheets



(58) **Field of Classification Search**

CPC .. A61B 5/05; A61B 5/055; A61B 6/03; A61B
6/035

See application file for complete search history.

(56) **References Cited**

U.S. PATENT DOCUMENTS

D715,944 S *	10/2014	Yao	D24/159
D725,275 S *	3/2015	Matsumura	D24/158
D753,828 S *	4/2016	Baba	D24/158
D770,624 S *	11/2016	Yao	D24/158
2012/0140899 A1 *	6/2012	Bailey	A61B 6/035 378/198

FOREIGN PATENT DOCUMENTS

JP	D1363978	4/2010
JP	D1471208	6/2013
KR	D30-0775802	12/2014

* cited by examiner

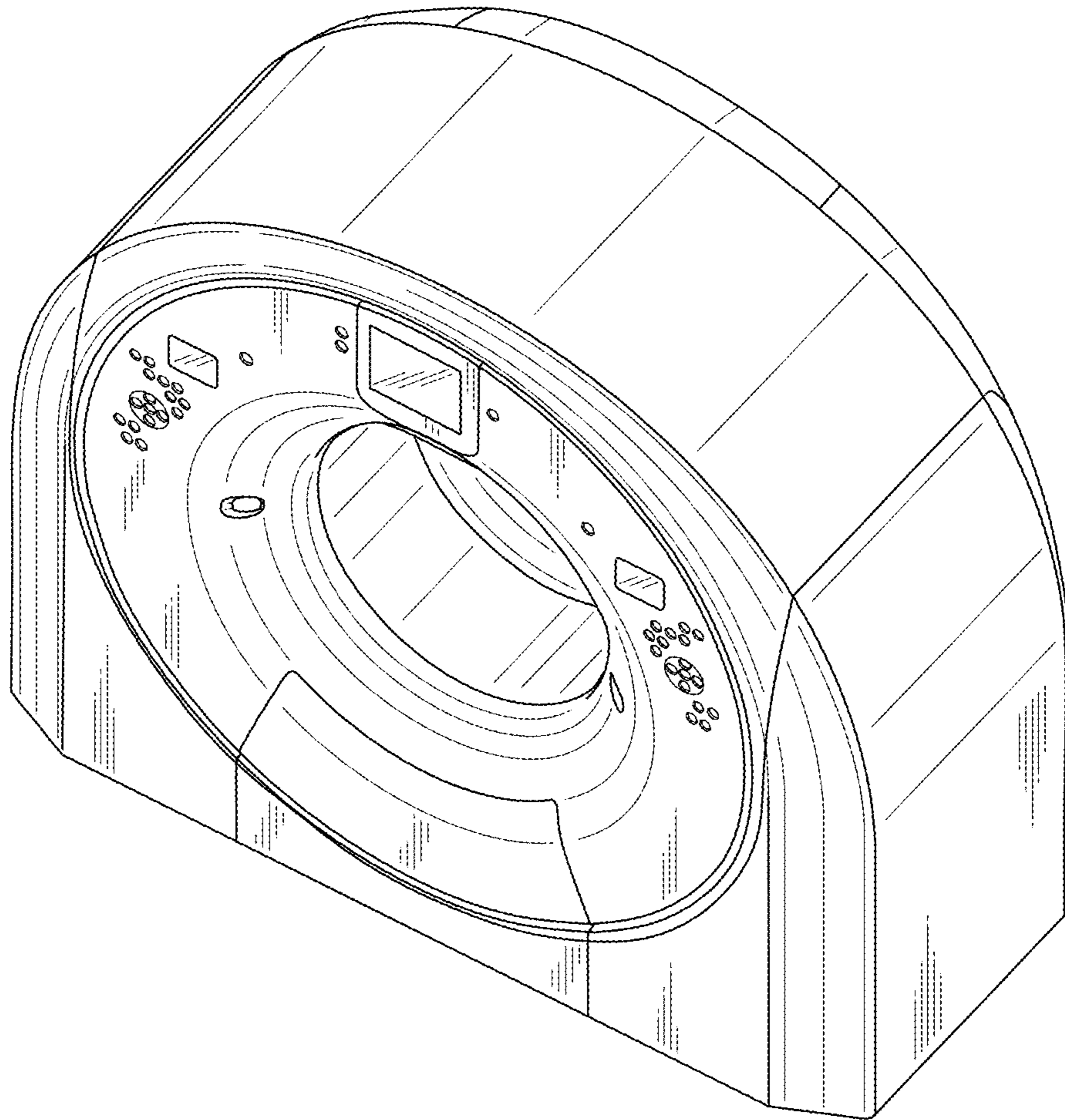


Fig. 1

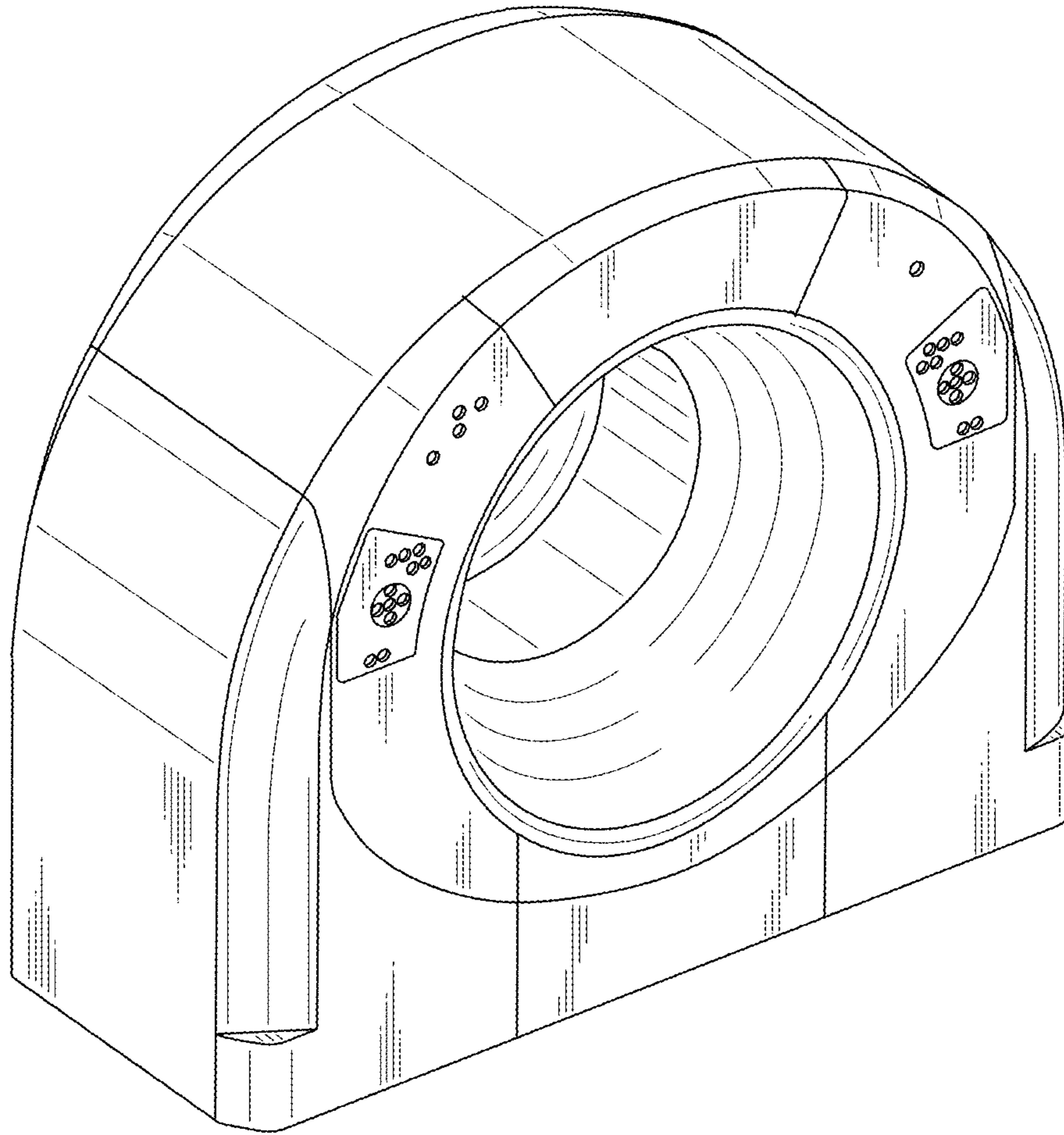


Fig.2

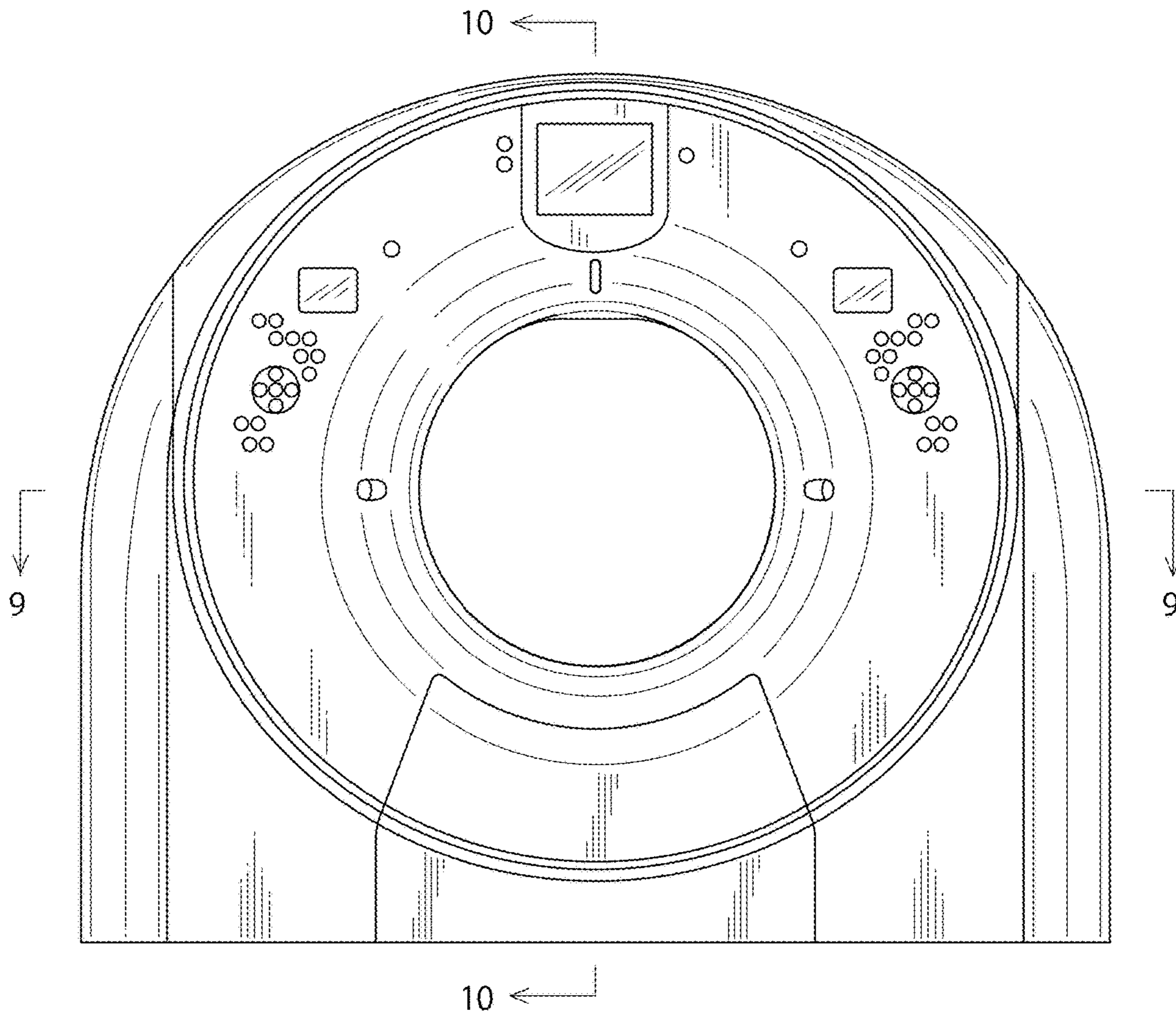


Fig.3

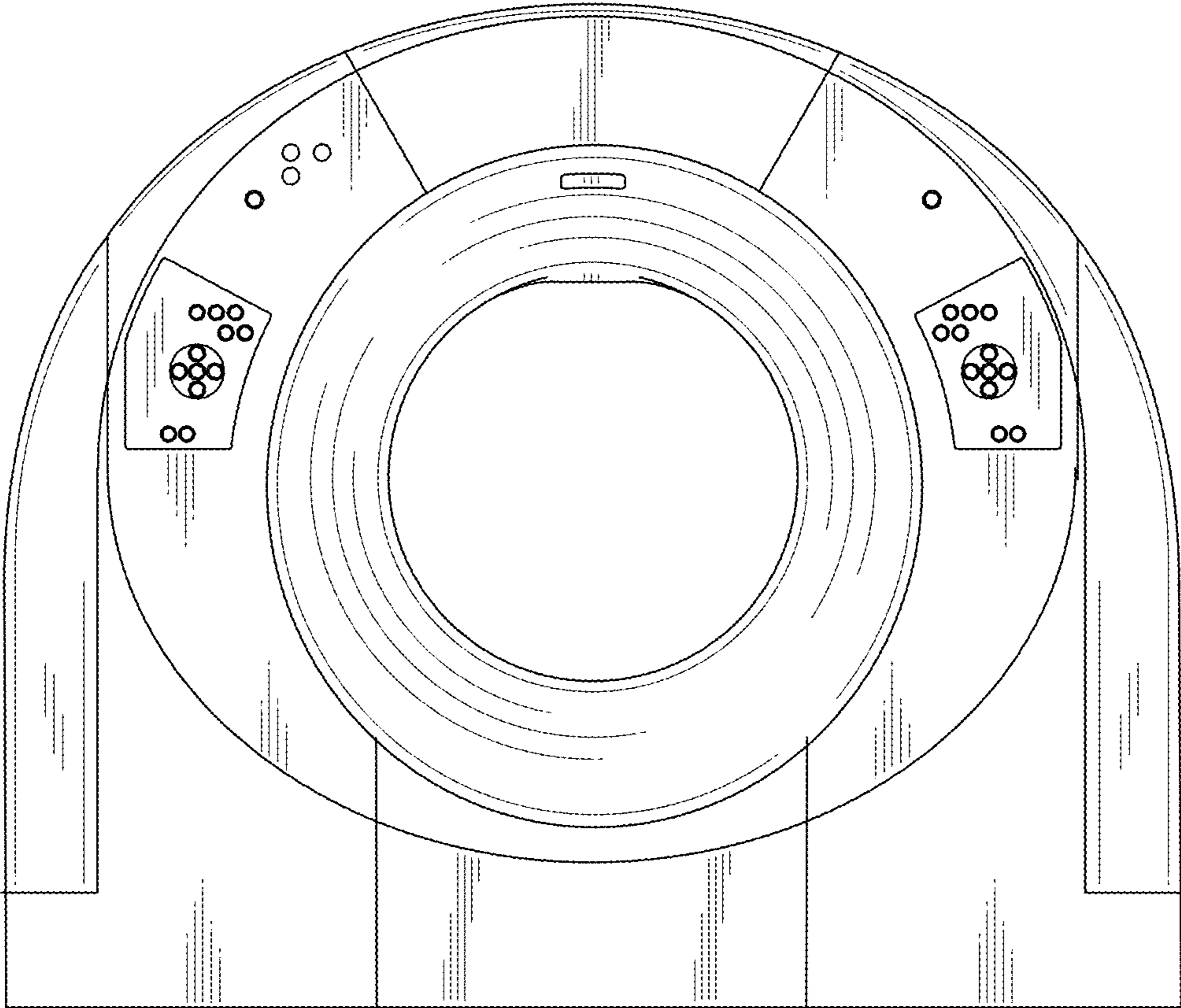


Fig.4

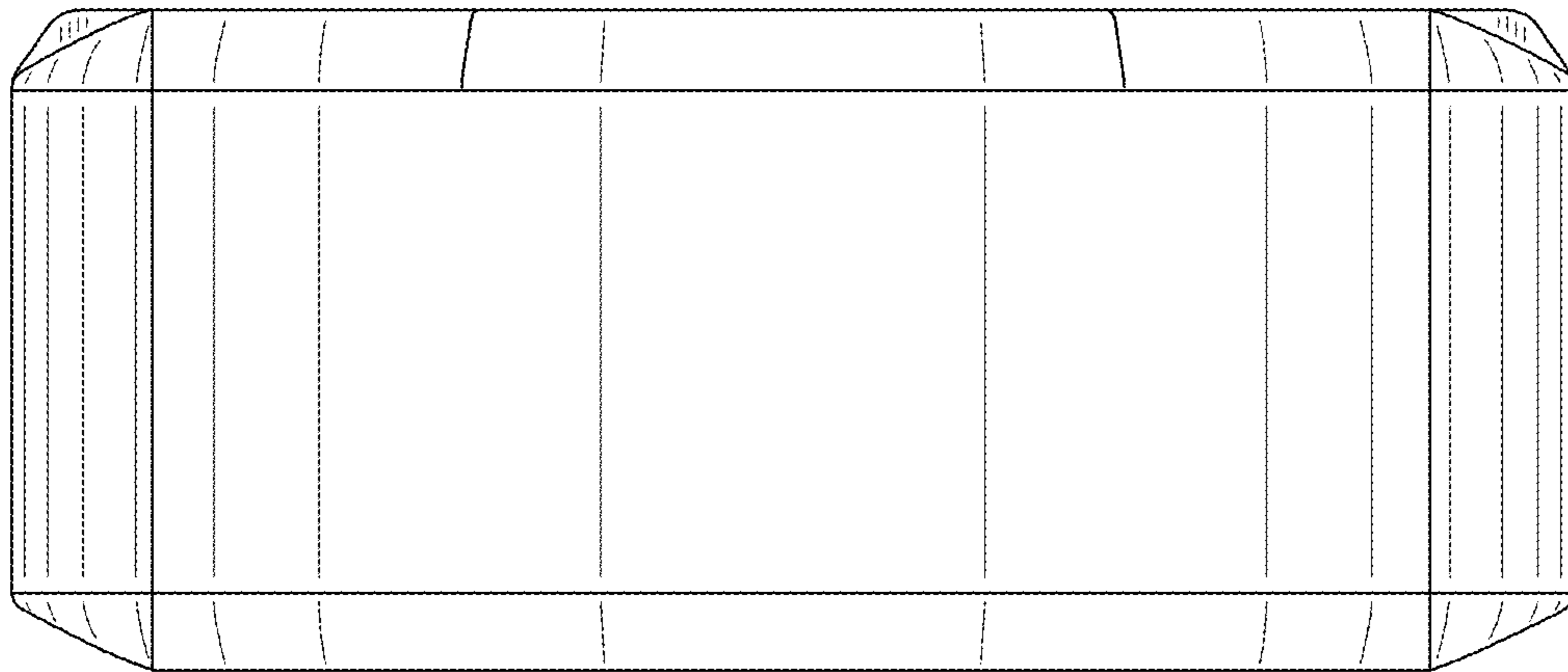


Fig. 5

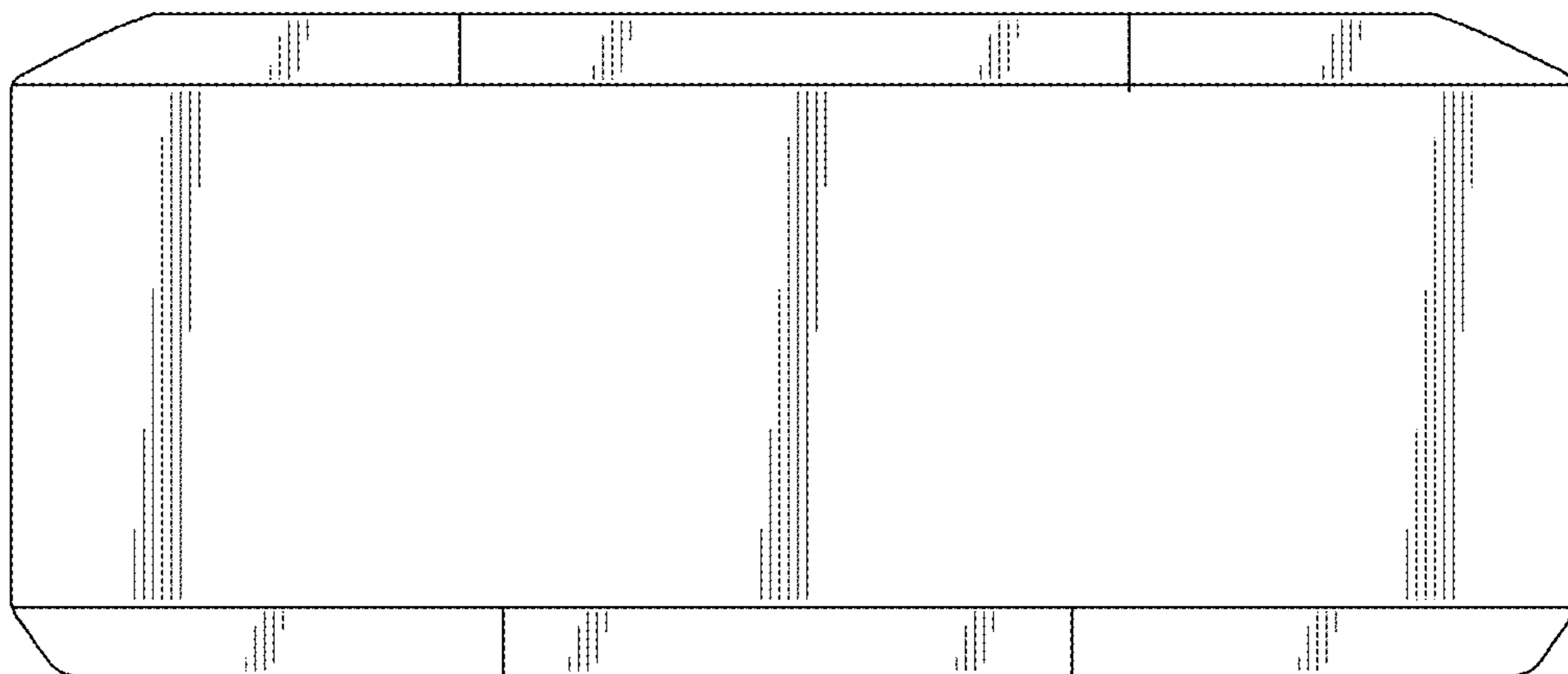


Fig. 6

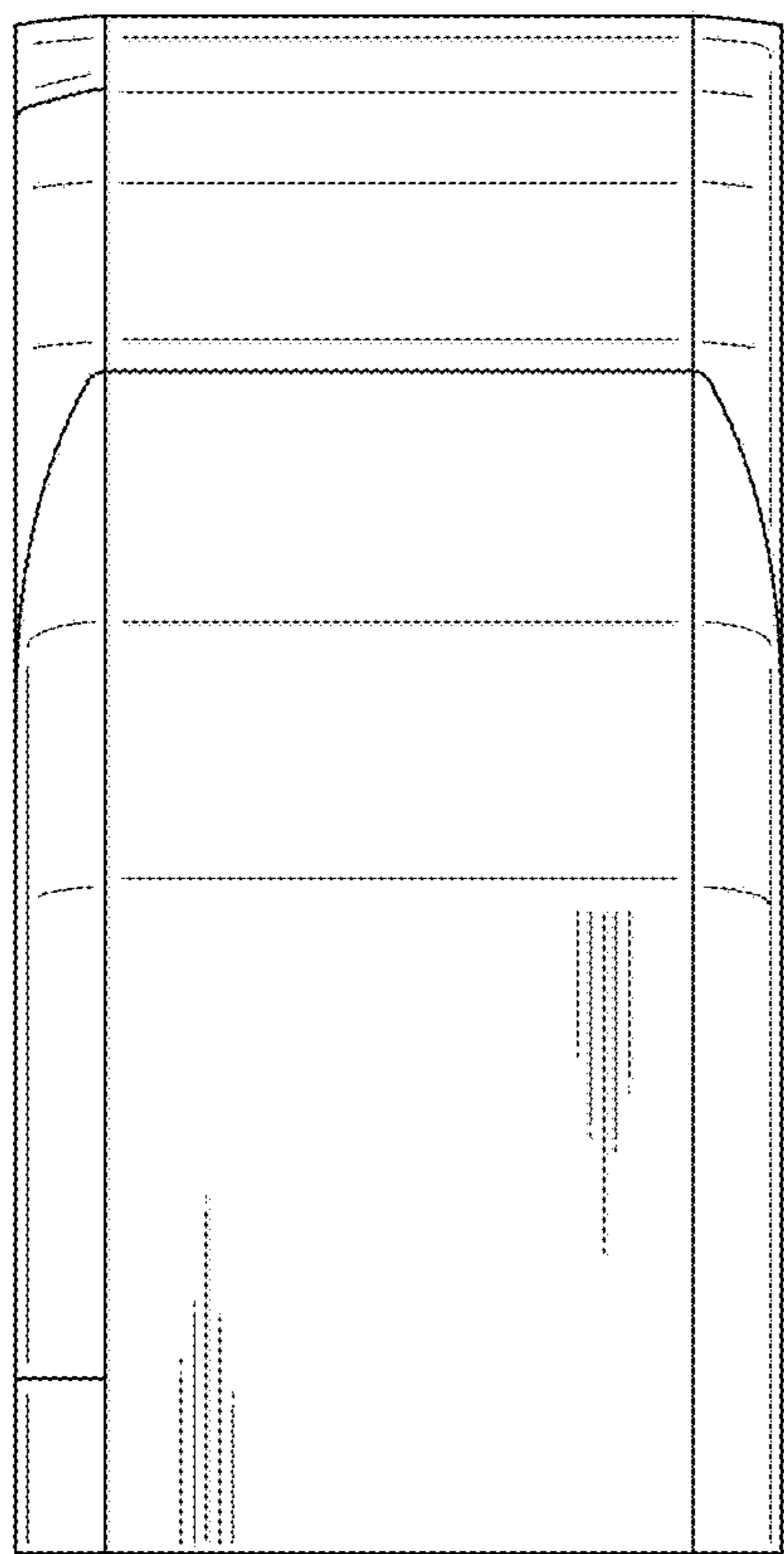


Fig. 7

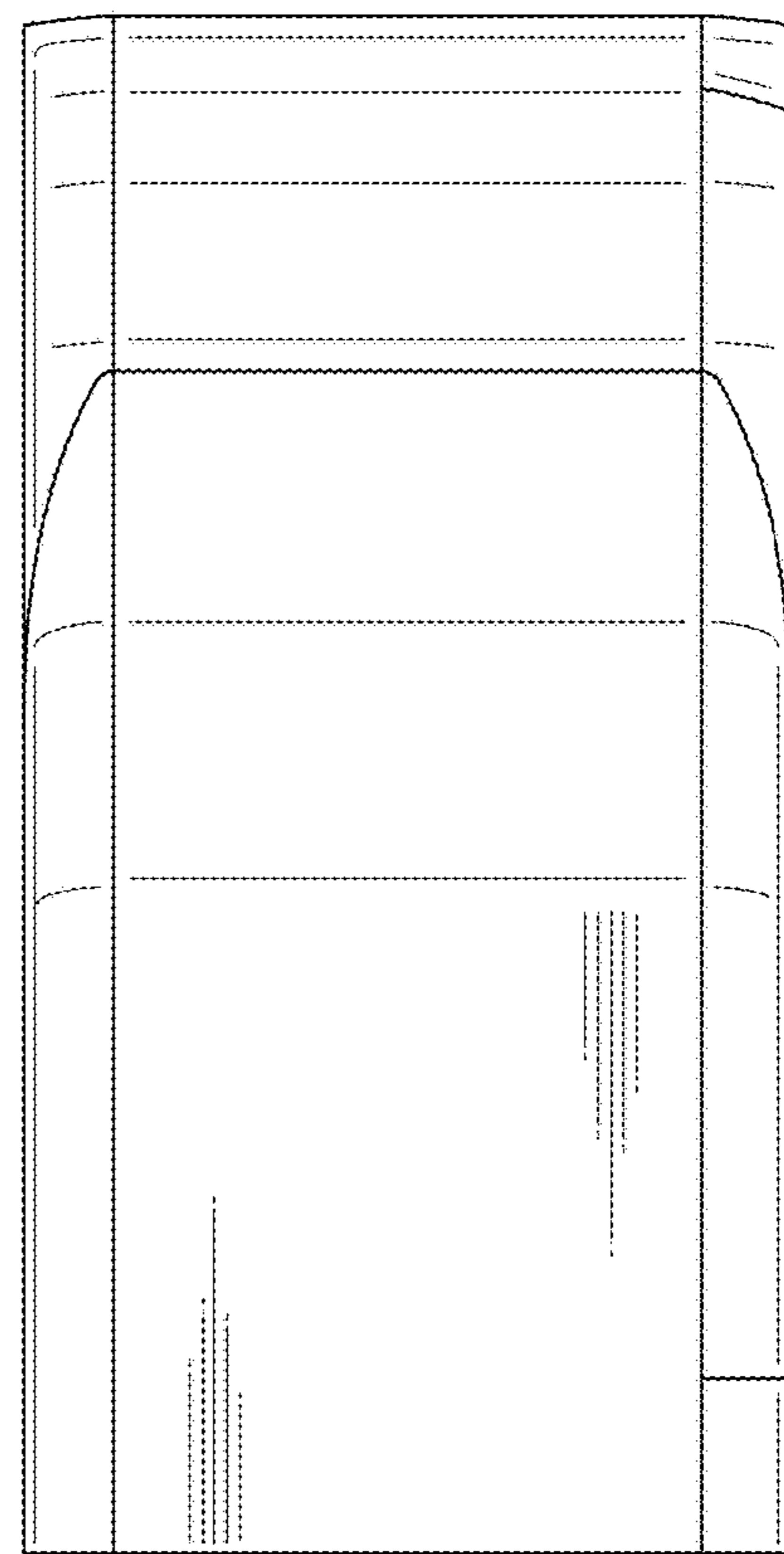


Fig. 8

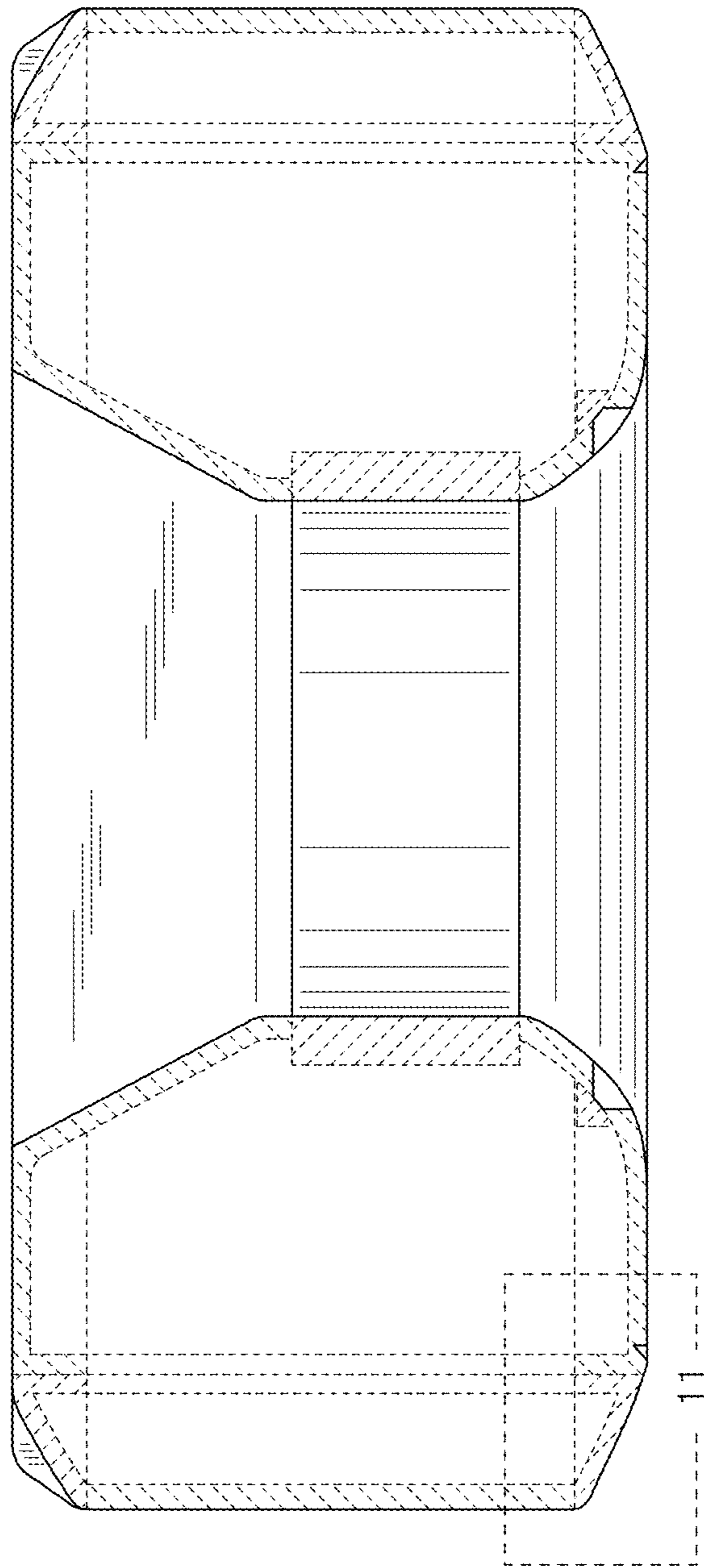


Fig. 9

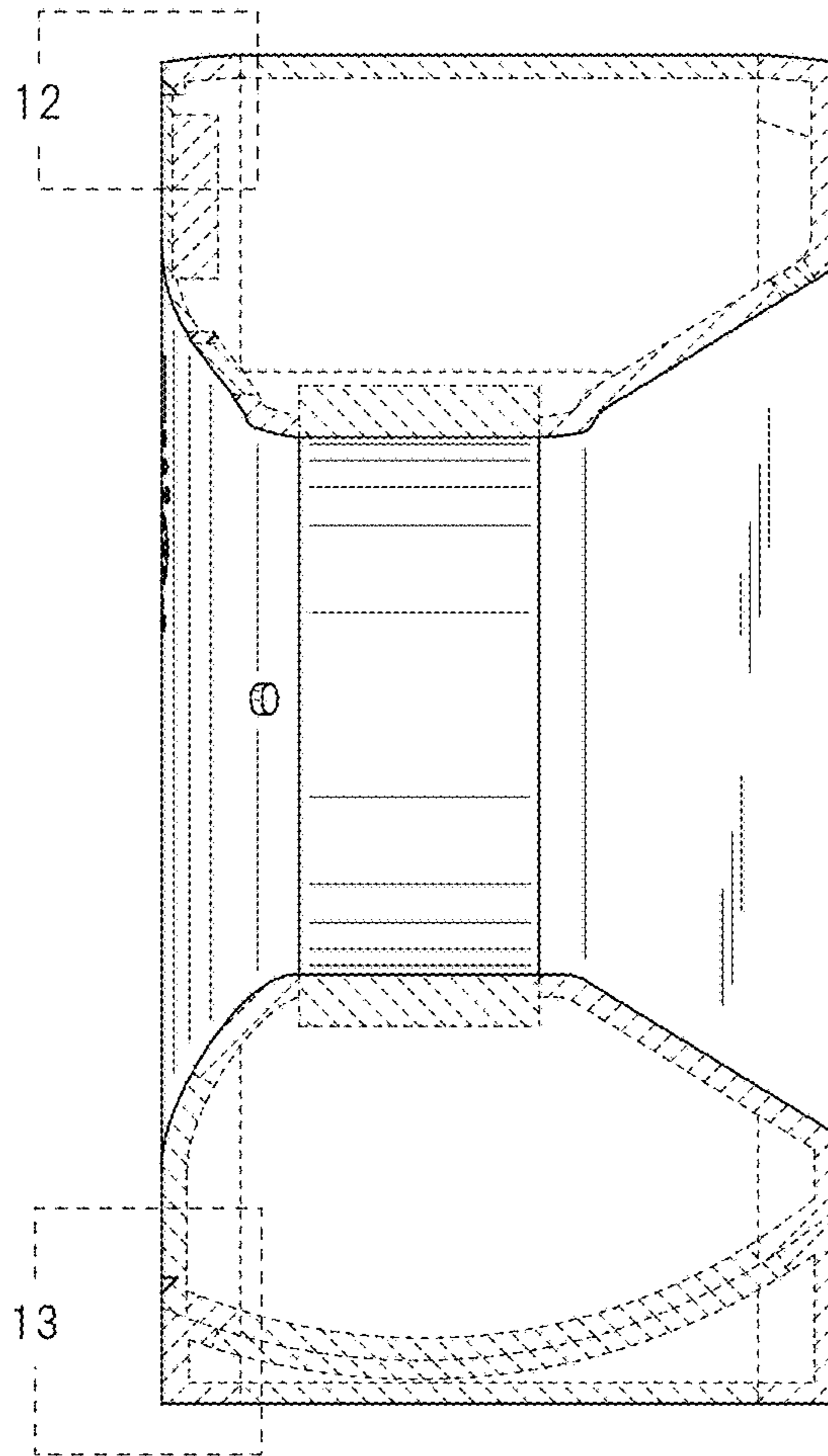


Fig. 10

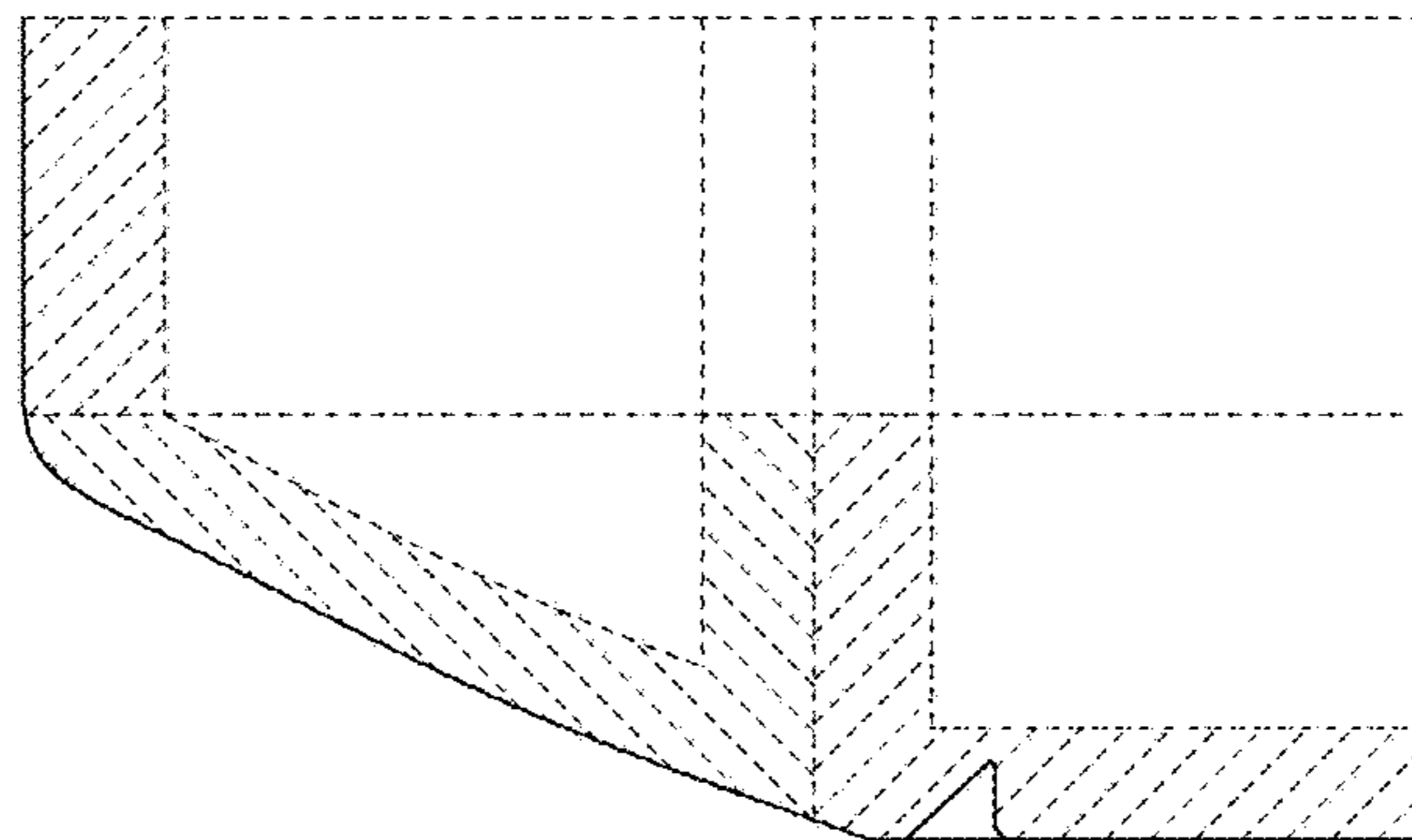


Fig. 11

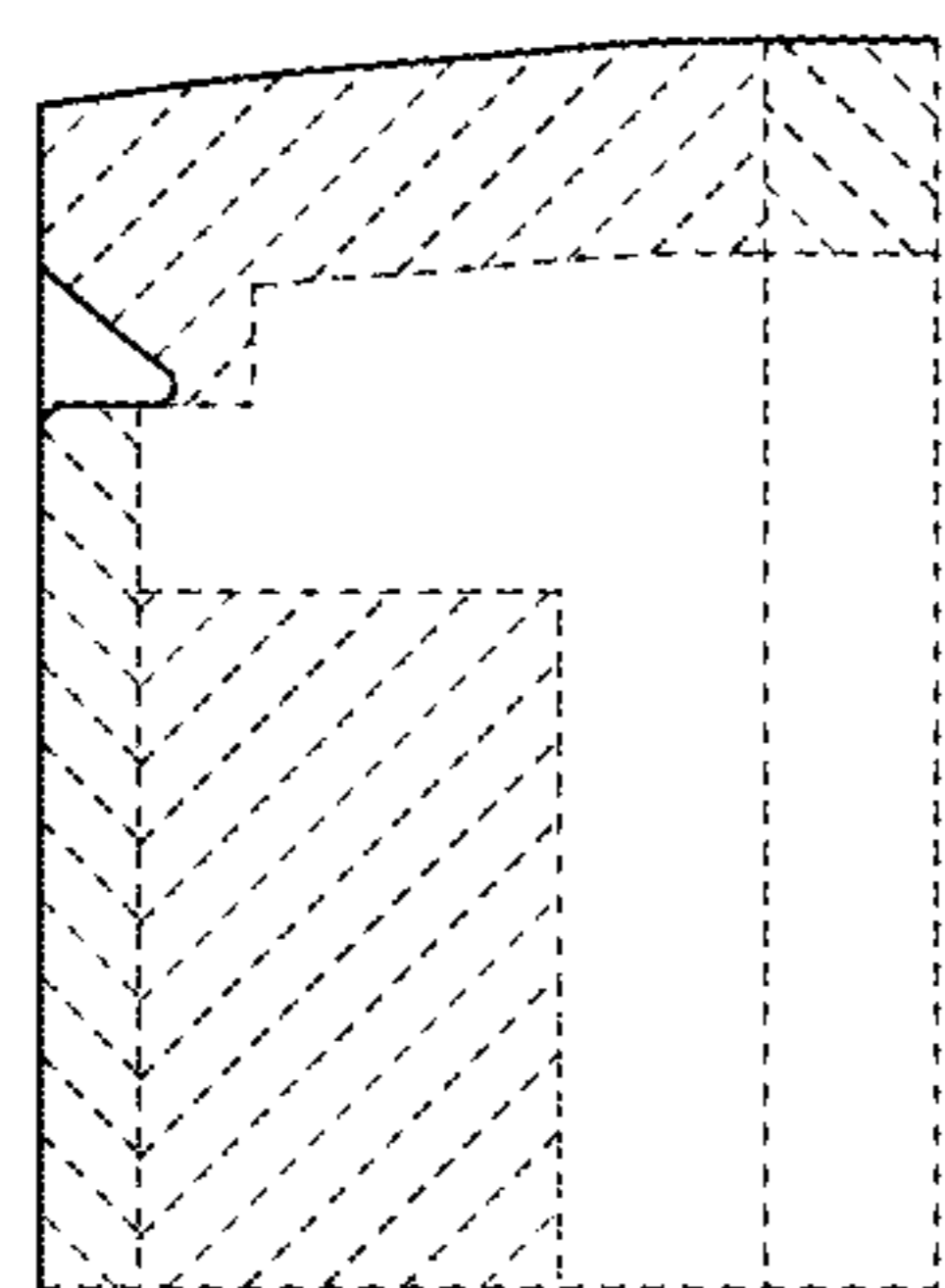


Fig. 12

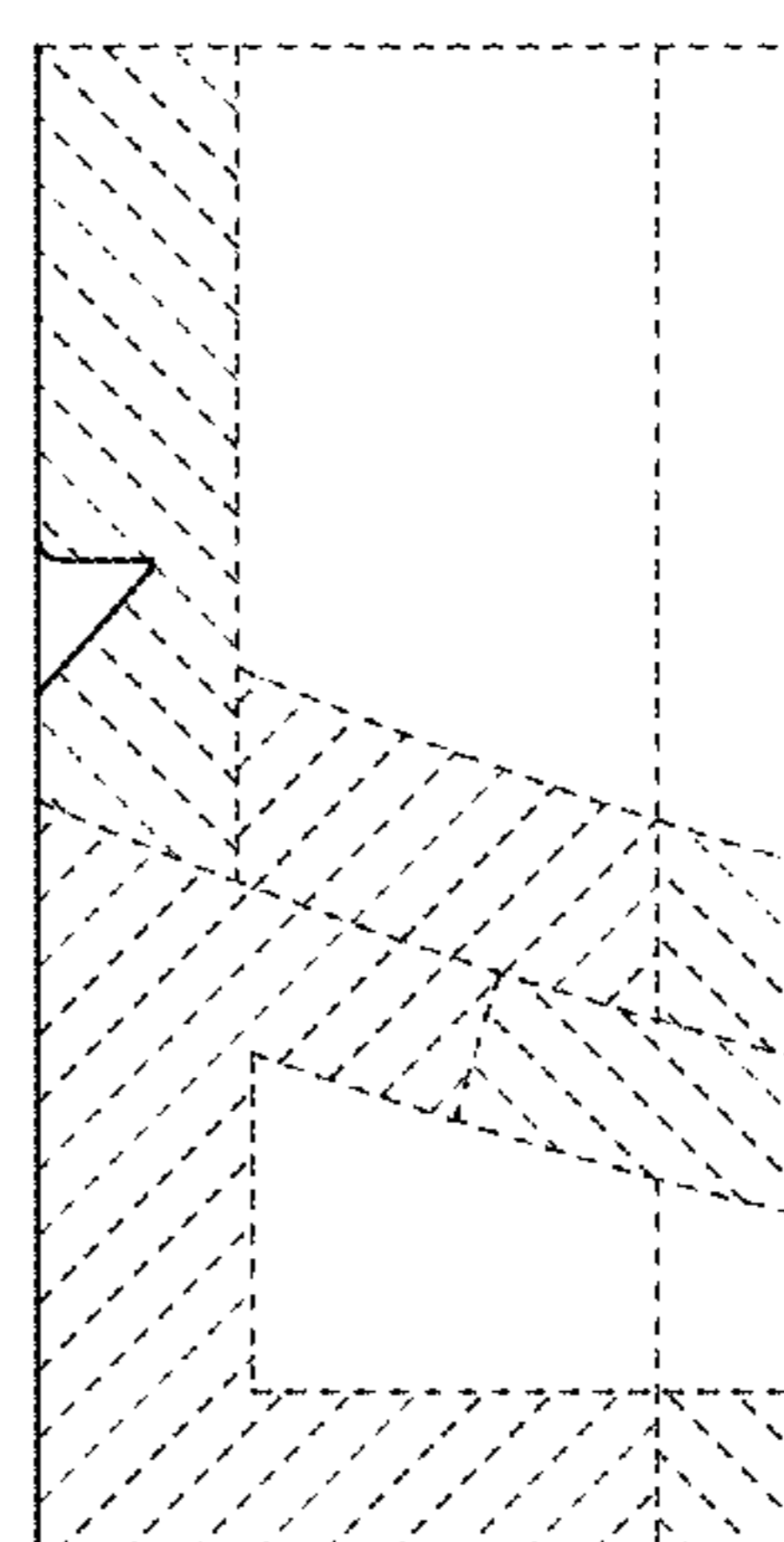


Fig. 13

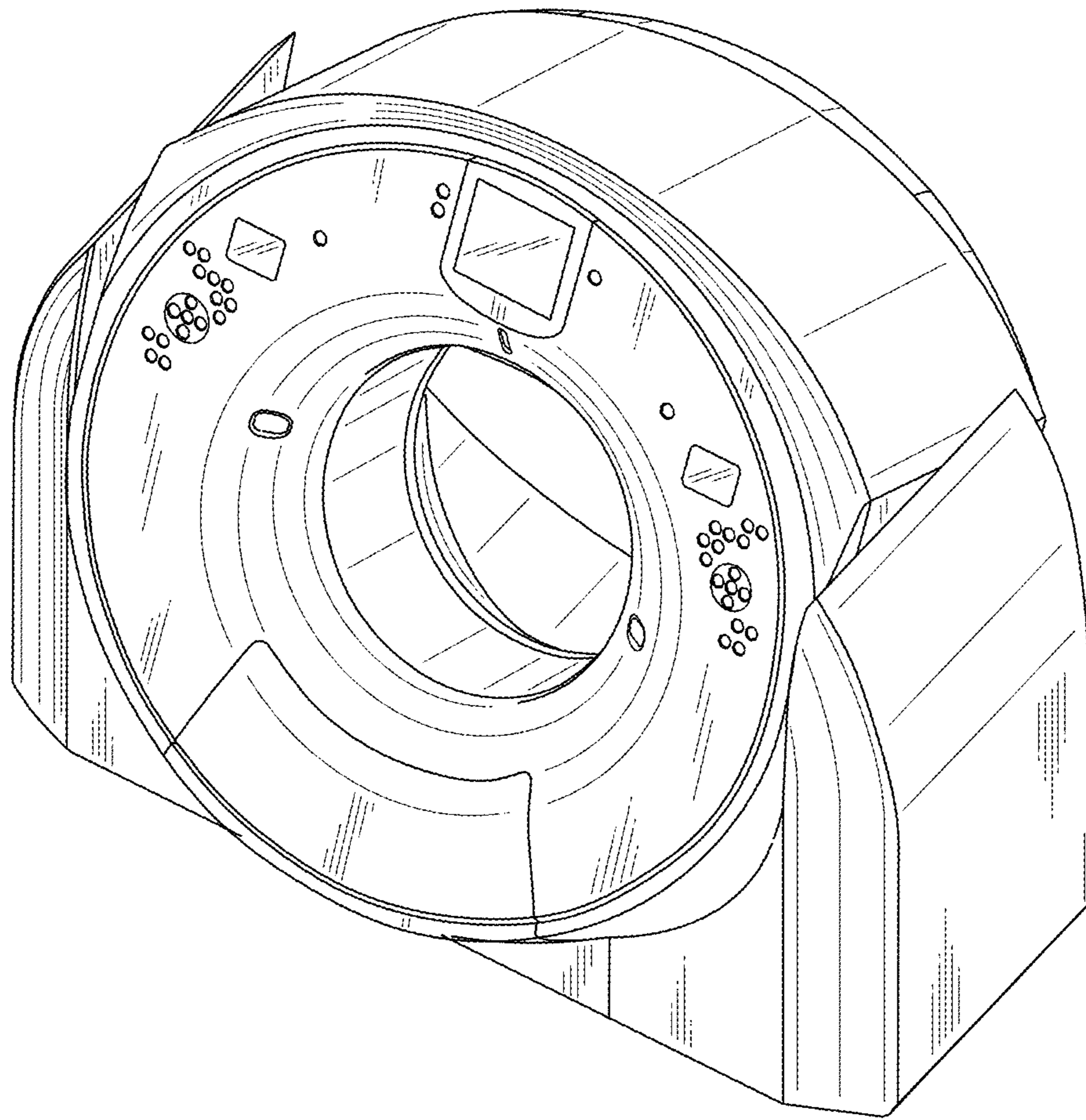


Fig.14