



US00D783829S

(12) **United States Design Patent**  
**Arishima**

(10) **Patent No.:** **US D783,829 S**

(45) **Date of Patent:** **\*\* Apr. 11, 2017**

(54) **MEDICAL X-RAY EQUIPMENT**

(71) Applicant: **J. Morita Mfg. Corp.**, Kyoto (JP)

(72) Inventor: **Masahiko Arishima**, Kyoto (JP)

(73) Assignee: **J. Morita Mfg. Corp.**, Kyoto (JP)

(\*\*) Term: **15 Years**

(21) Appl. No.: **29/537,388**

(22) Filed: **Aug. 25, 2015**

(30) **Foreign Application Priority Data**

Feb. 25, 2015 (JP) ..... 2015-003848

(51) **LOC (10) Cl.** ..... **24-01**

(52) **U.S. Cl.**

USPC ..... **D24/158**

(58) **Field of Classification Search**

USPC ..... D24/158-161, 185, 186, 107

CPC ..... A61B 6/035; A61B 6/4405; A61B 6/4411;

A61B 6/4429; A61B 6/4435; A61B

6/4441; A61B 6/4447; A61B 6/484; A61B

6/14

See application file for complete search history.

(56) **References Cited**

**U.S. PATENT DOCUMENTS**

D666,723 S \* 9/2012 Laukkanen ..... D24/158

D702,837 S \* 4/2014 Dinse ..... D24/158

D710,012 S \* 7/2014 Polhamus ..... D24/158

D714,941 S \* 10/2014 Kim ..... D24/158

D724,738 S \* 3/2015 Dorris ..... D24/158

D757,939 S \* 5/2016 Tsujita ..... D24/158

2008/0006282 A1\* 1/2008 Sukovic ..... G06F 19/321

600/410

2010/0322377 A1\* 12/2010 Niizeki ..... A61B 6/4441

378/20

2015/0164441 A1\* 6/2015 Niizeki ..... A61B 6/4405

378/11

\* cited by examiner

*Primary Examiner* — Anhdao Doan

(74) *Attorney, Agent, or Firm* — Osha Liang LLP

(57) **CLAIM**

The ornamental design for a medical X-ray equipment, as shown and described.

**DESCRIPTION**

FIG. 1 is a perspective view showing a front side, a left side, and a top side of medical X-ray equipment according to the invention.

FIG. 2 is a front view of the design according to the invention.

FIG. 3 is a rear view of the design according to the invention.

FIG. 4 is a left side view of the design according to the invention.

FIG. 5 is a right side view of the design according to the invention.

FIG. 6 is a top view of the design according to the invention.

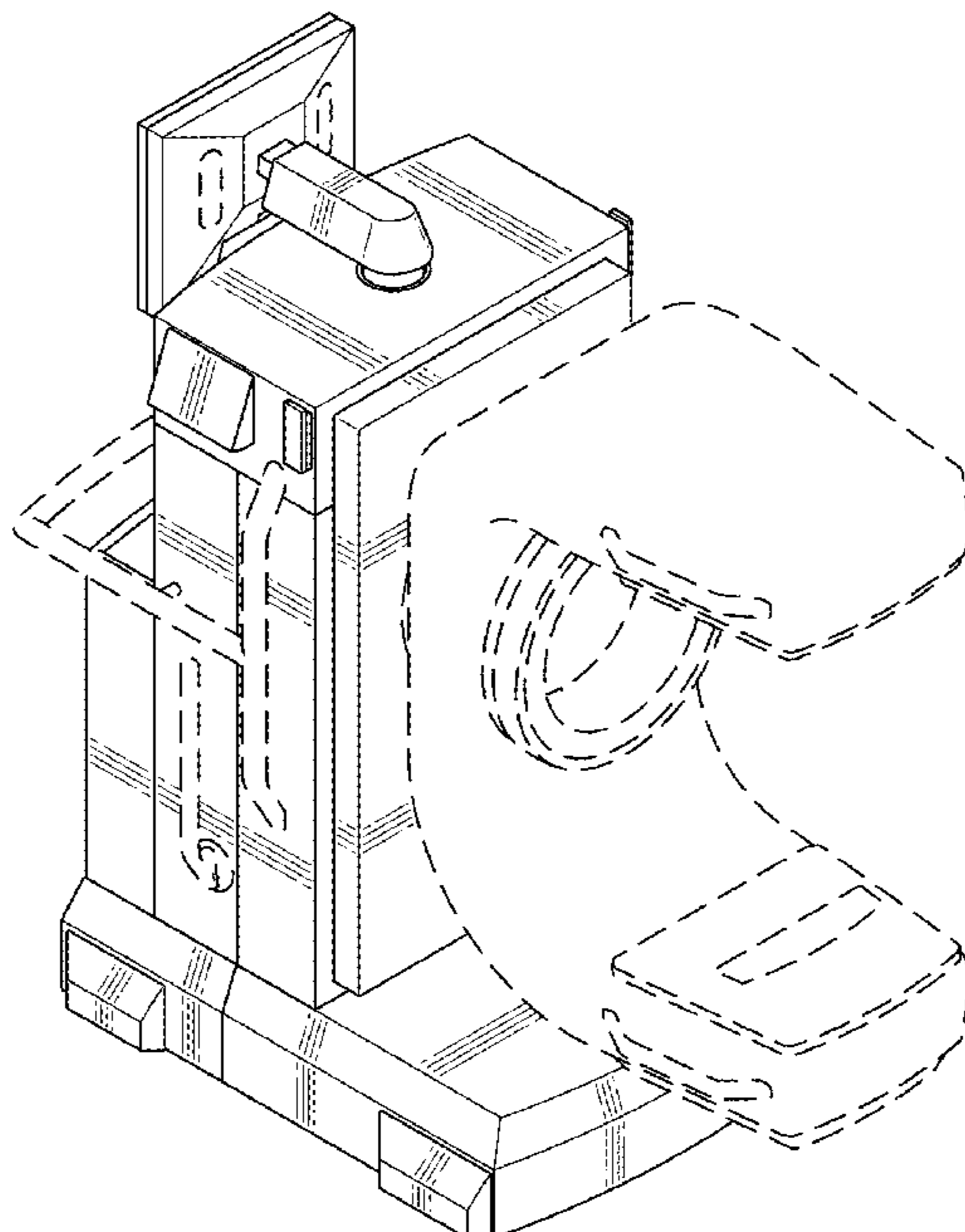
FIG. 7 is a bottom view of the design according to the invention.

FIG. 8 is a perspective view showing a rear side, a right side, and a top side of medical X-ray equipment according to the invention; and,

FIG. 9 is a perspective view showing a front side, a left side, and a bottom side of medical X-ray equipment according to the invention.

The broken lines in the drawings illustrate portions of the medical x-ray equipment that form no part of the claimed design.

**1 Claim, 9 Drawing Sheets**



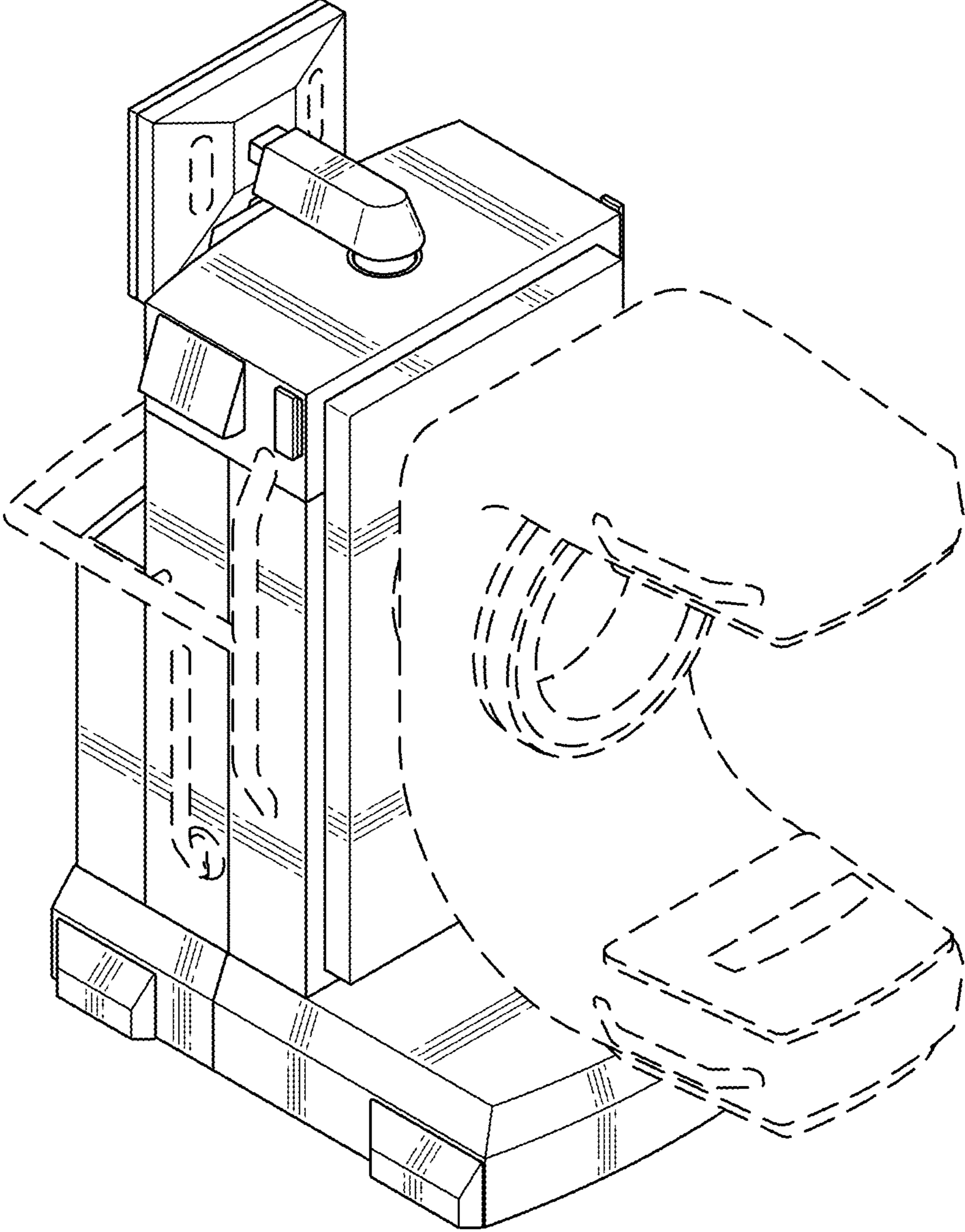


FIG. 1

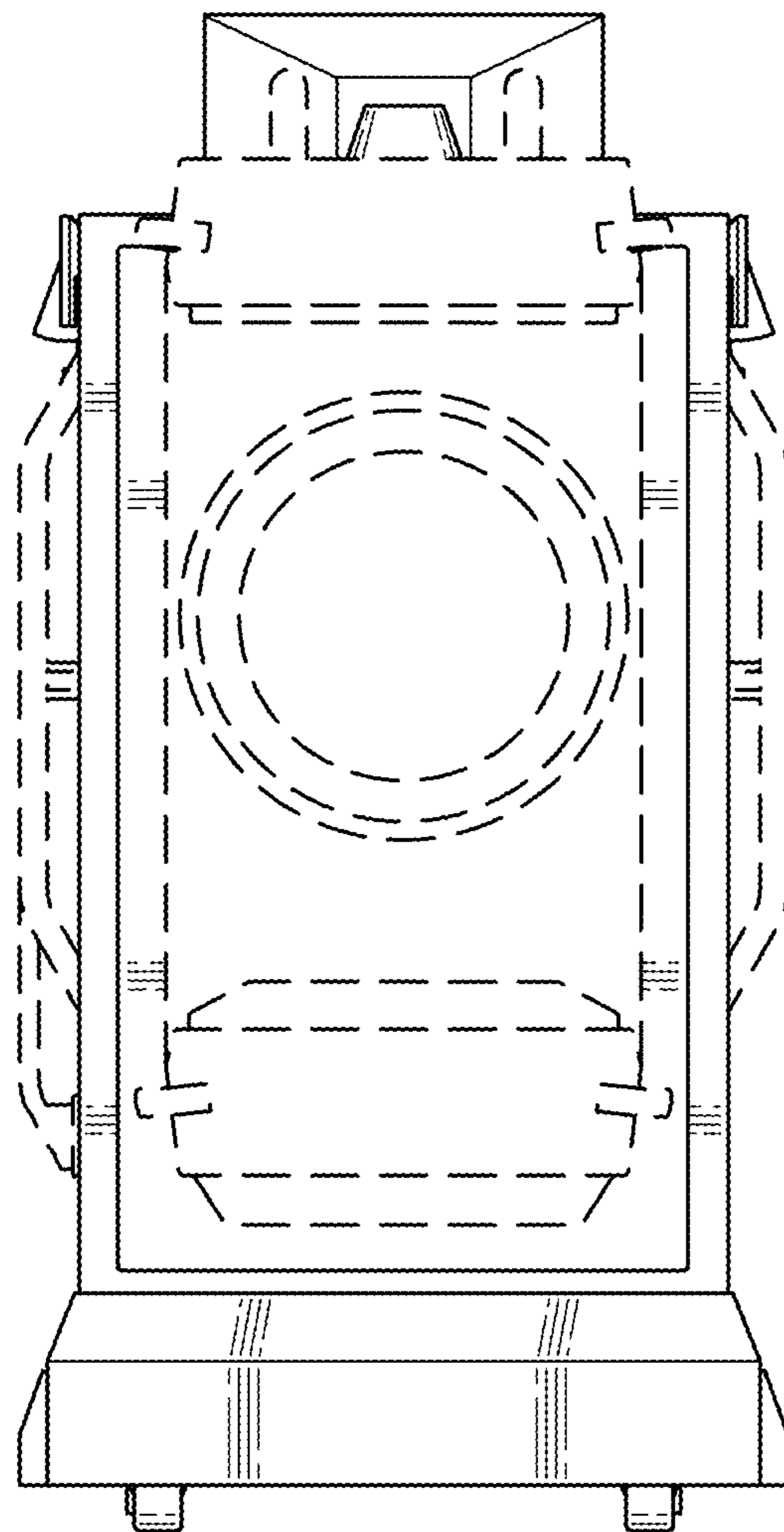
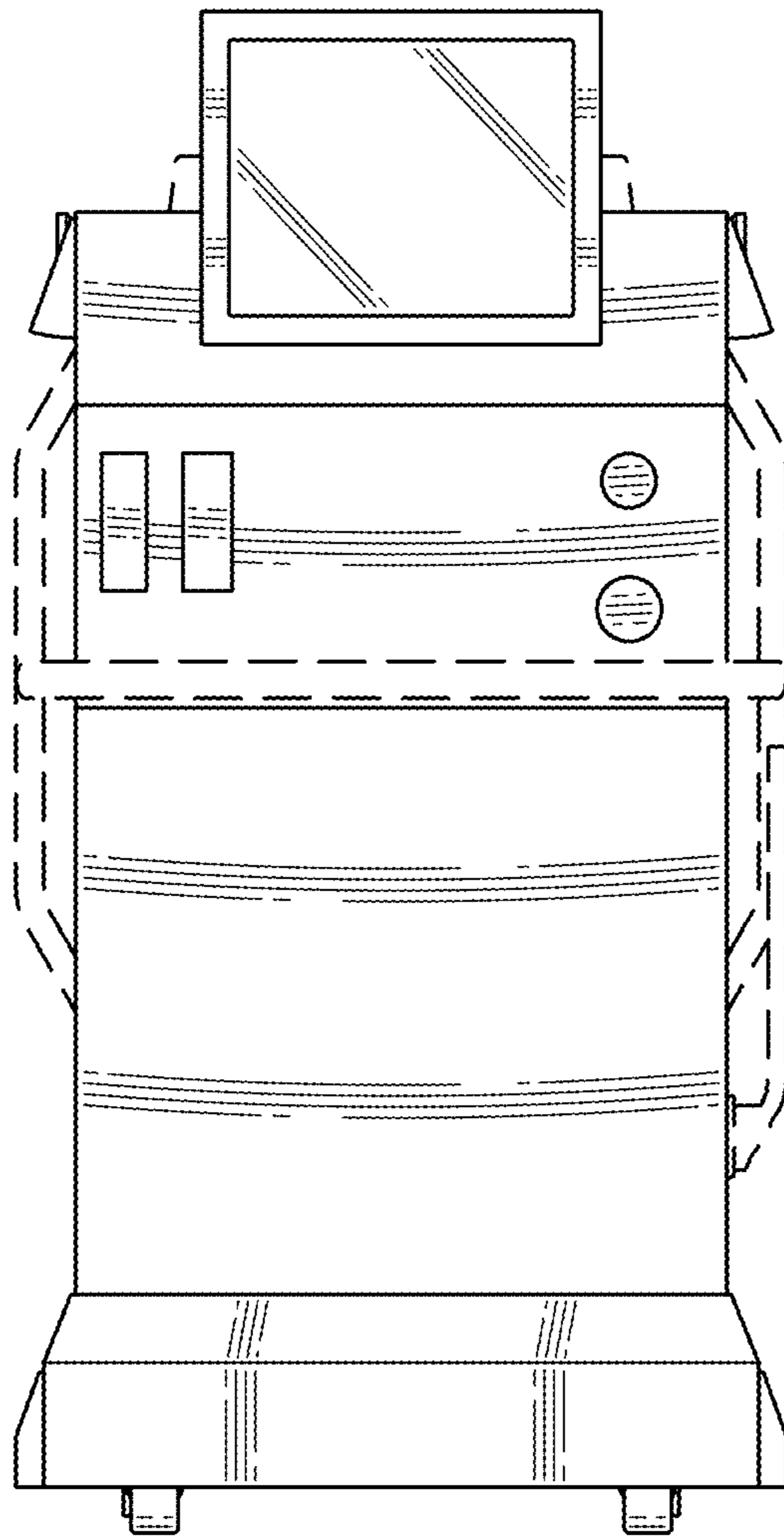


FIG. 2



**FIG. 3**

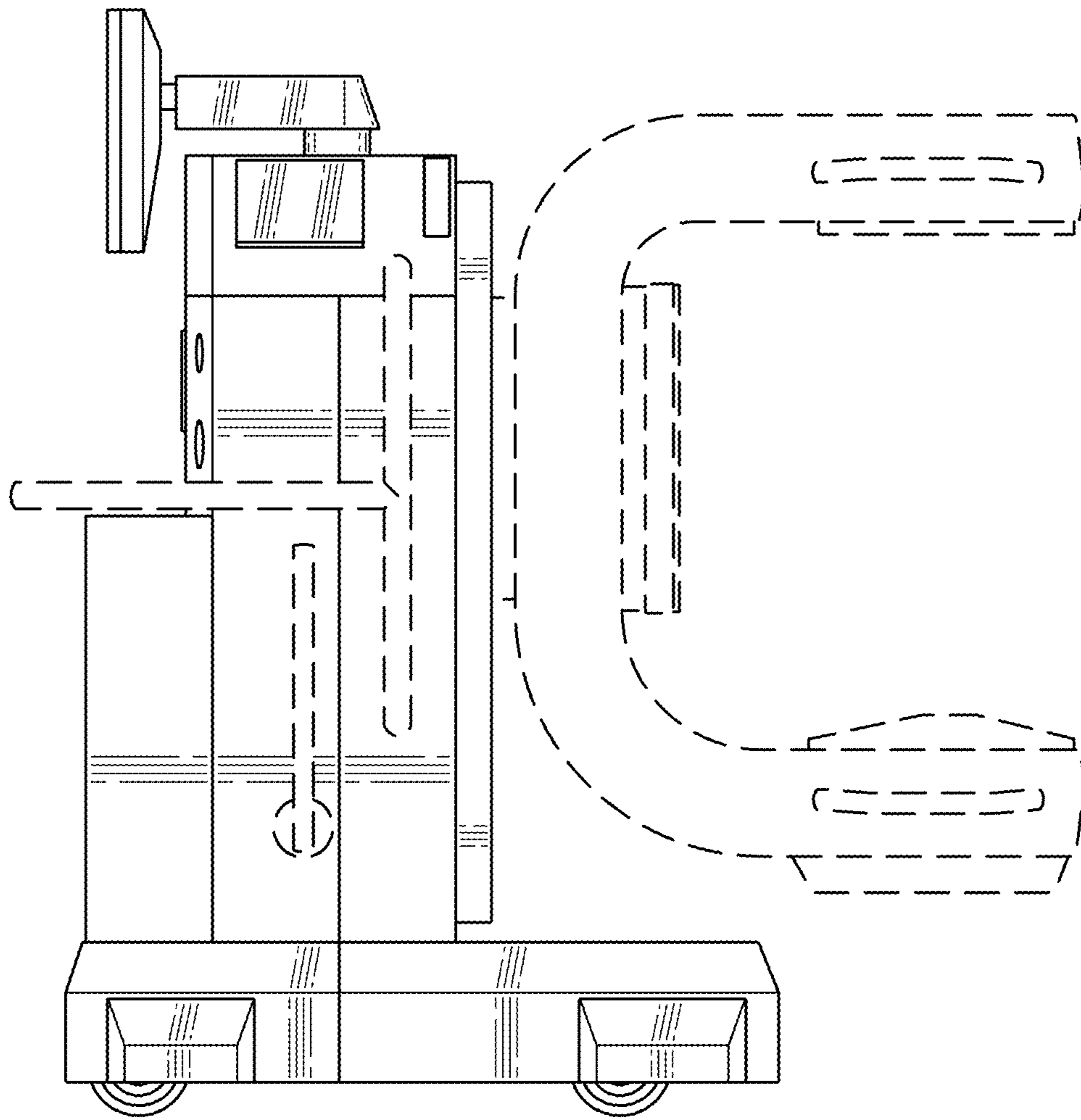


FIG. 4

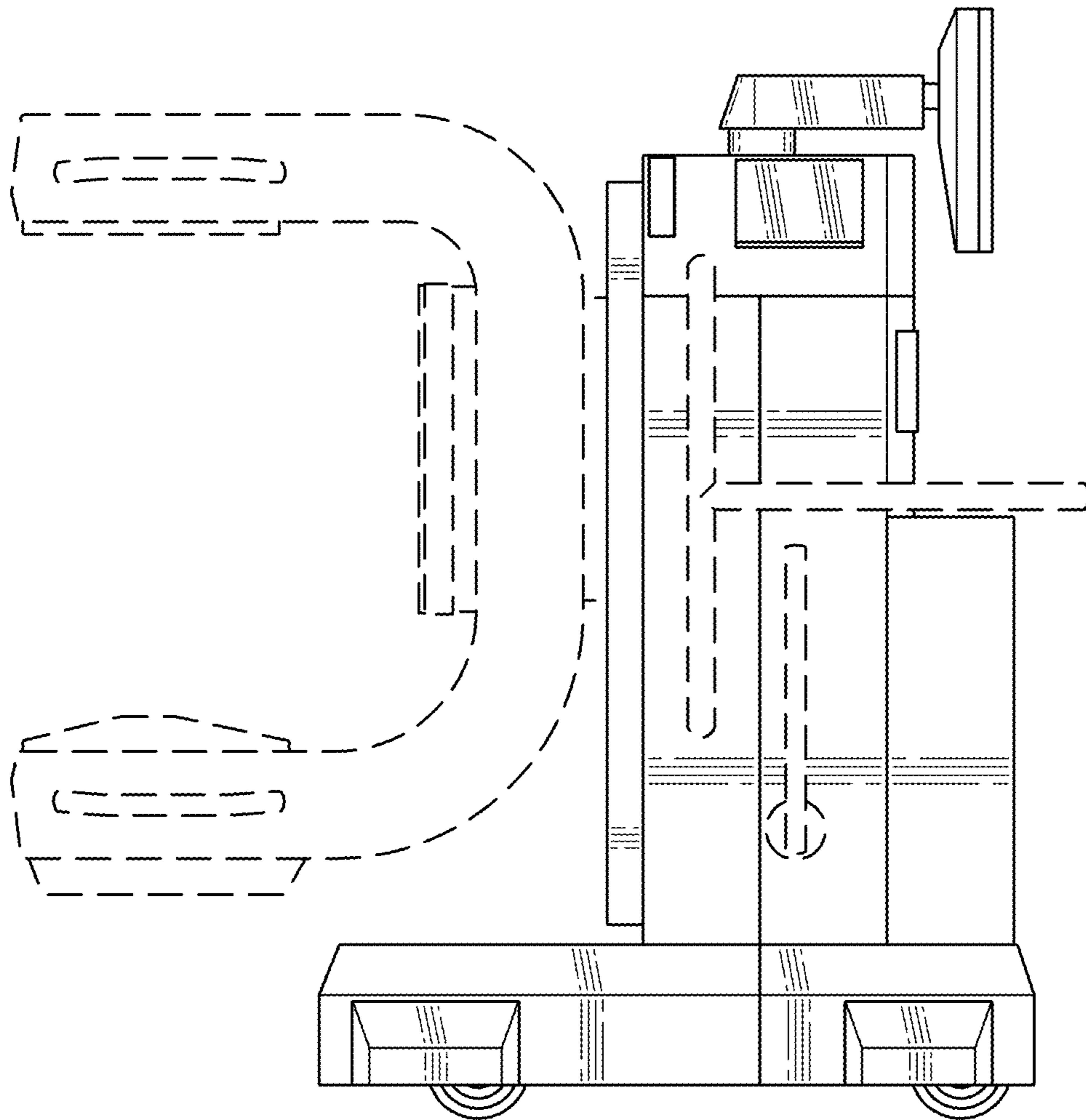


FIG. 5

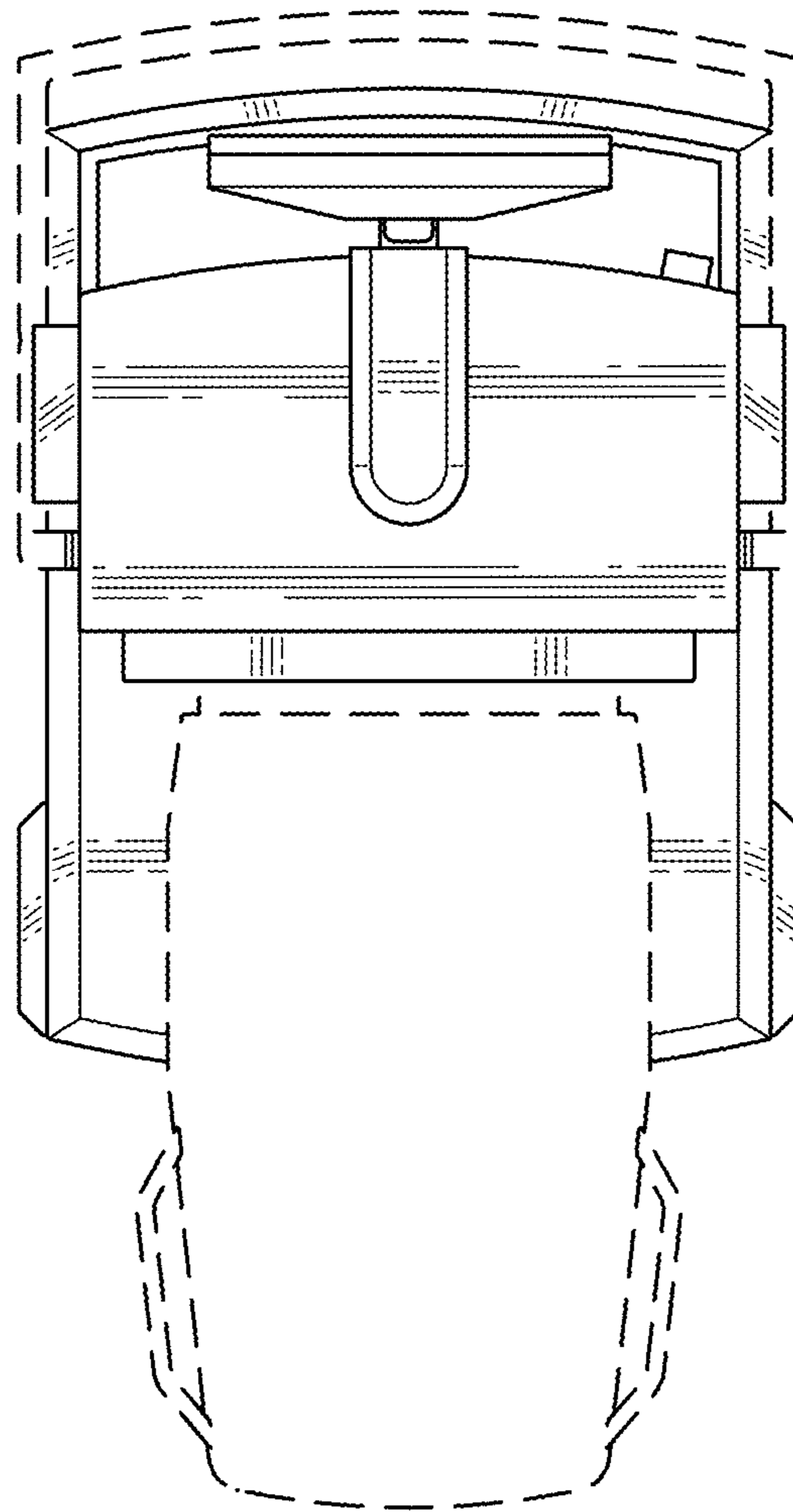


FIG. 6

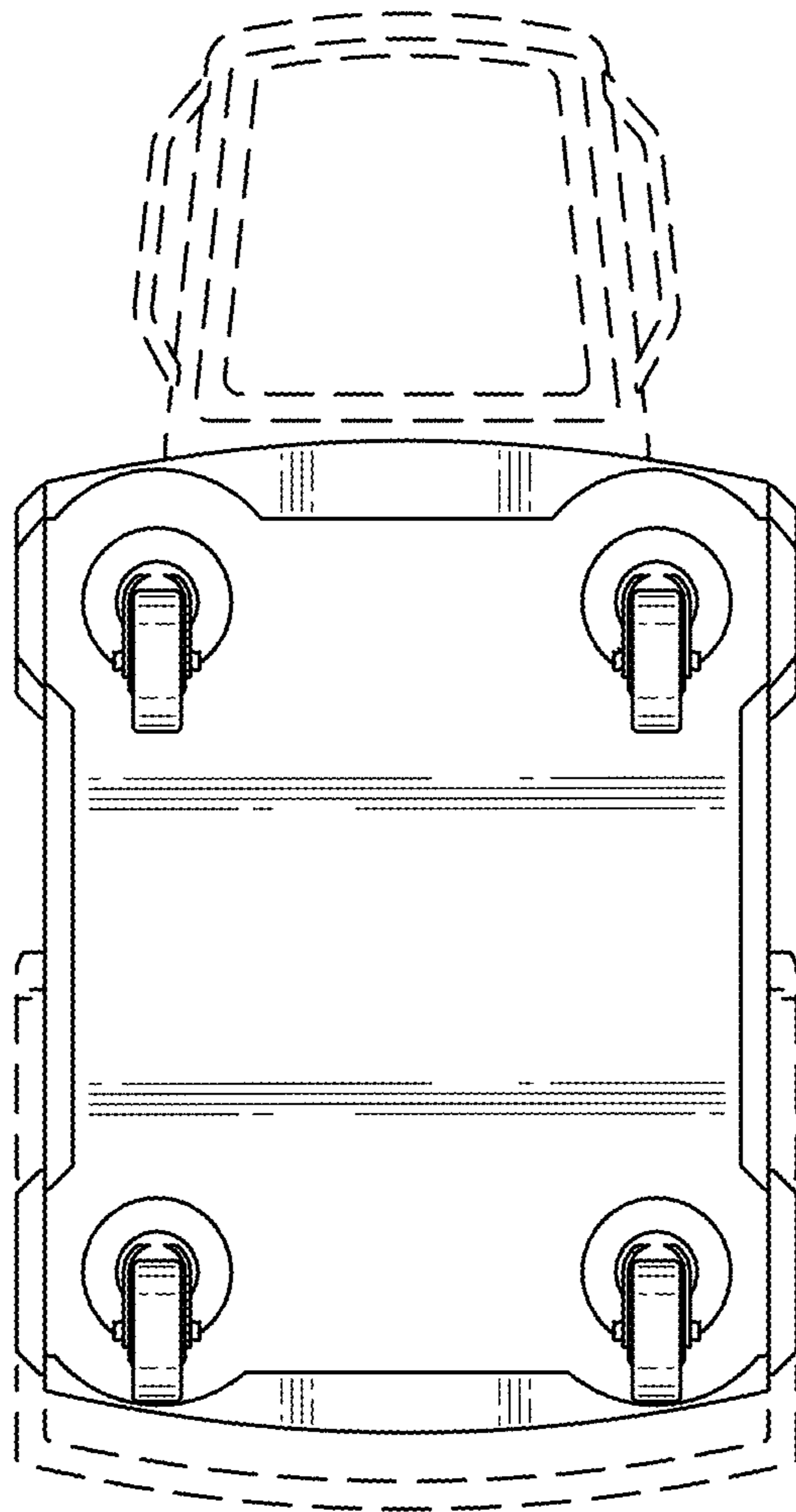


FIG. 7



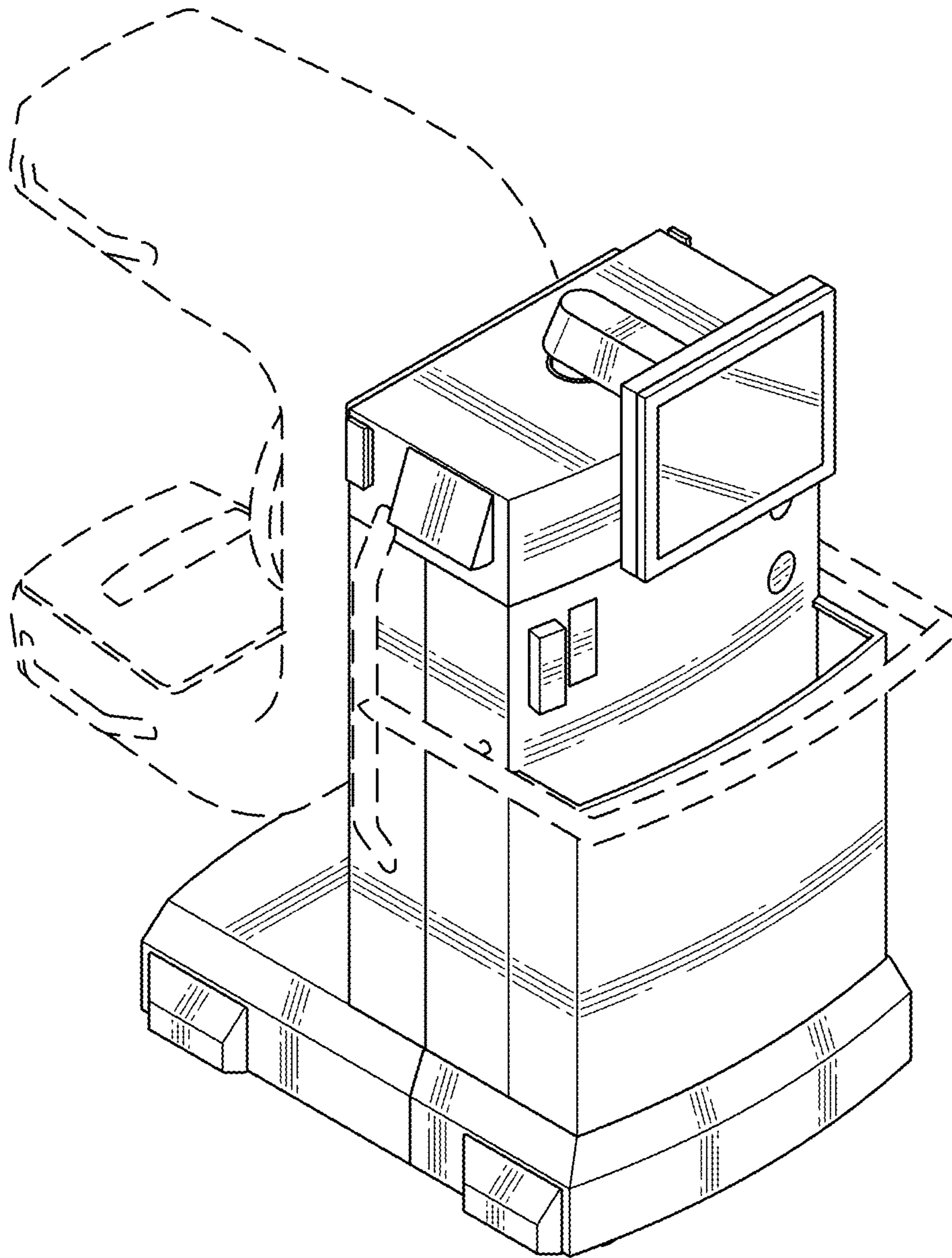


FIG. 8

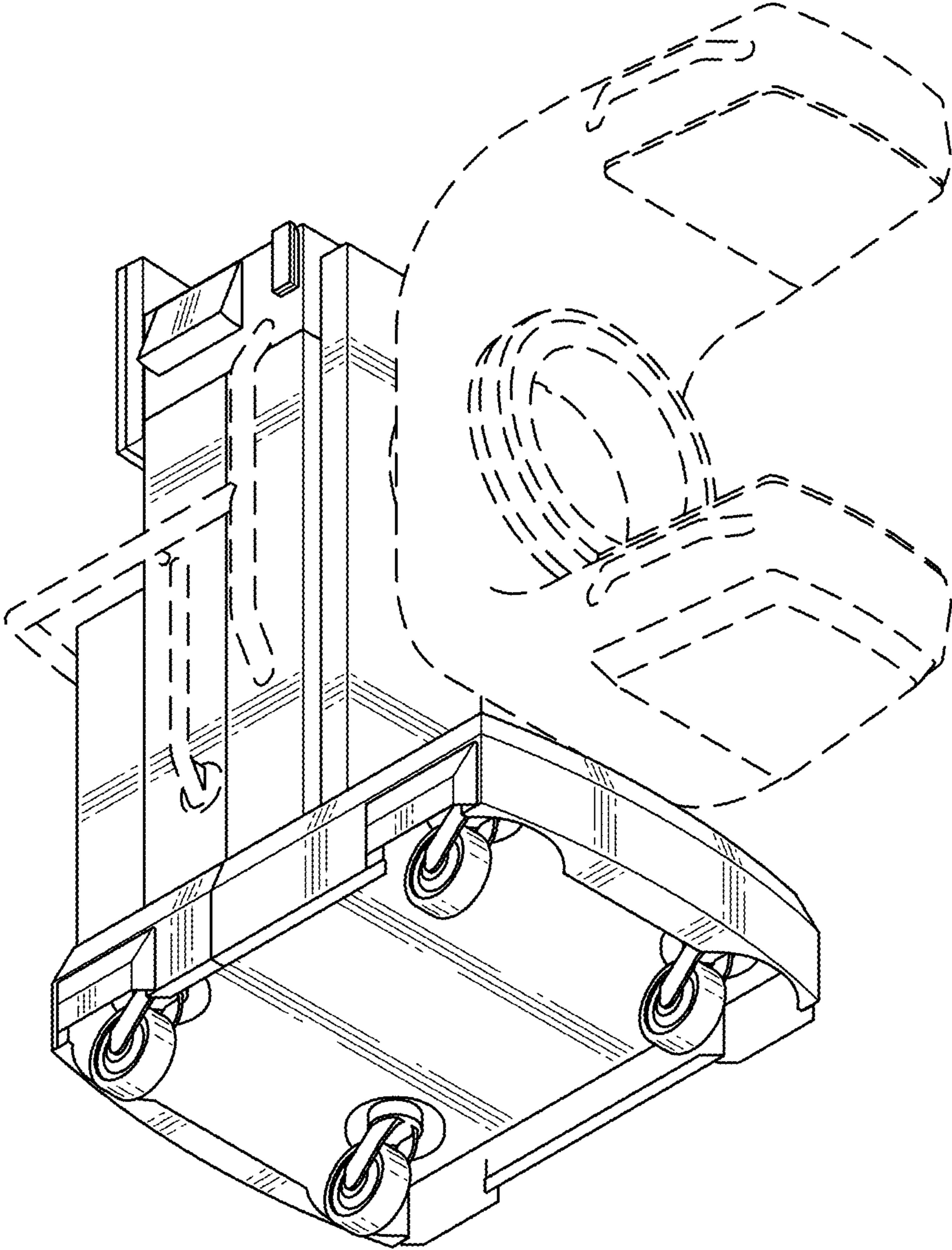


FIG. 9