



US00D783828S

(12) **United States Design Patent**
Arishima

(10) **Patent No.:** **US D783,828 S**

(45) **Date of Patent:** **** Apr. 11, 2017**

- (54) **MEDICAL X-RAY EQUIPMENT**
- (71) Applicant: **J. Morita Mfg. Corp.**, Kyoto (JP)
- (72) Inventor: **Masahiko Arishima**, Kyoto (JP)
- (73) Assignee: **J. Morita Mfg. Corp.**, Kyoto (JP)
- (**) Term: **15 Years**

- (21) Appl. No.: **29/537,380**
- (22) Filed: **Aug. 25, 2015**

(30) **Foreign Application Priority Data**

Feb. 25, 2015 (JP) 2015-003847

(51) **LOC (10) Cl.** **24-01**

(52) **U.S. Cl.**
USPC **D24/158**

(58) **Field of Classification Search**
USPC D24/158-161, 185, 186, 107
CPC A61B 6/035; A61B 6/4405; A61B 6/4411;
A61B 6/4429; A61B 6/4435; A61B
6/4441; A61B 6/4447; A61B 6/484; A61B
6/14

See application file for complete search history.

(56) **References Cited**

U.S. PATENT DOCUMENTS

- D213,409 S * 2/1969 Vedder D24/158
- D438,619 S * 3/2001 Okada D24/158
- D439,668 S * 3/2001 Aoki D24/159
- D639,947 S * 6/2011 Choi D24/158
- 9,052,271 B2 * 6/2015 Grodzins G01N 23/203
- 9,355,810 B2 * 5/2016 Chen H01J 35/14
- 2005/0117693 A1 * 6/2005 Miyano A61B 6/0478
378/4

- 2009/0060123 A1 * 3/2009 Nakayama A61B 6/035
378/15
- 2010/0322377 A1 * 12/2010 Niizeki A61B 6/4441
378/20
- 2013/0230142 A1 * 9/2013 Murata A61B 6/4405
378/62

(Continued)

Primary Examiner — Anhdao Doan

(74) *Attorney, Agent, or Firm* — Osha Liang LLP

(57) **CLAIM**

The ornamental design for a medical X-ray equipment, as shown and described.

DESCRIPTION

FIG. 1 is a perspective view showing a front side, a left side, and a top side of medical X-ray equipment according to the invention.

FIG. 2 is a front view of the design according to the invention.

FIG. 3 is a rear view of the design according to the invention. FIG. 4 is a left side view of the design according to the invention.

FIG. 5 is a right side view of the design according to the invention.

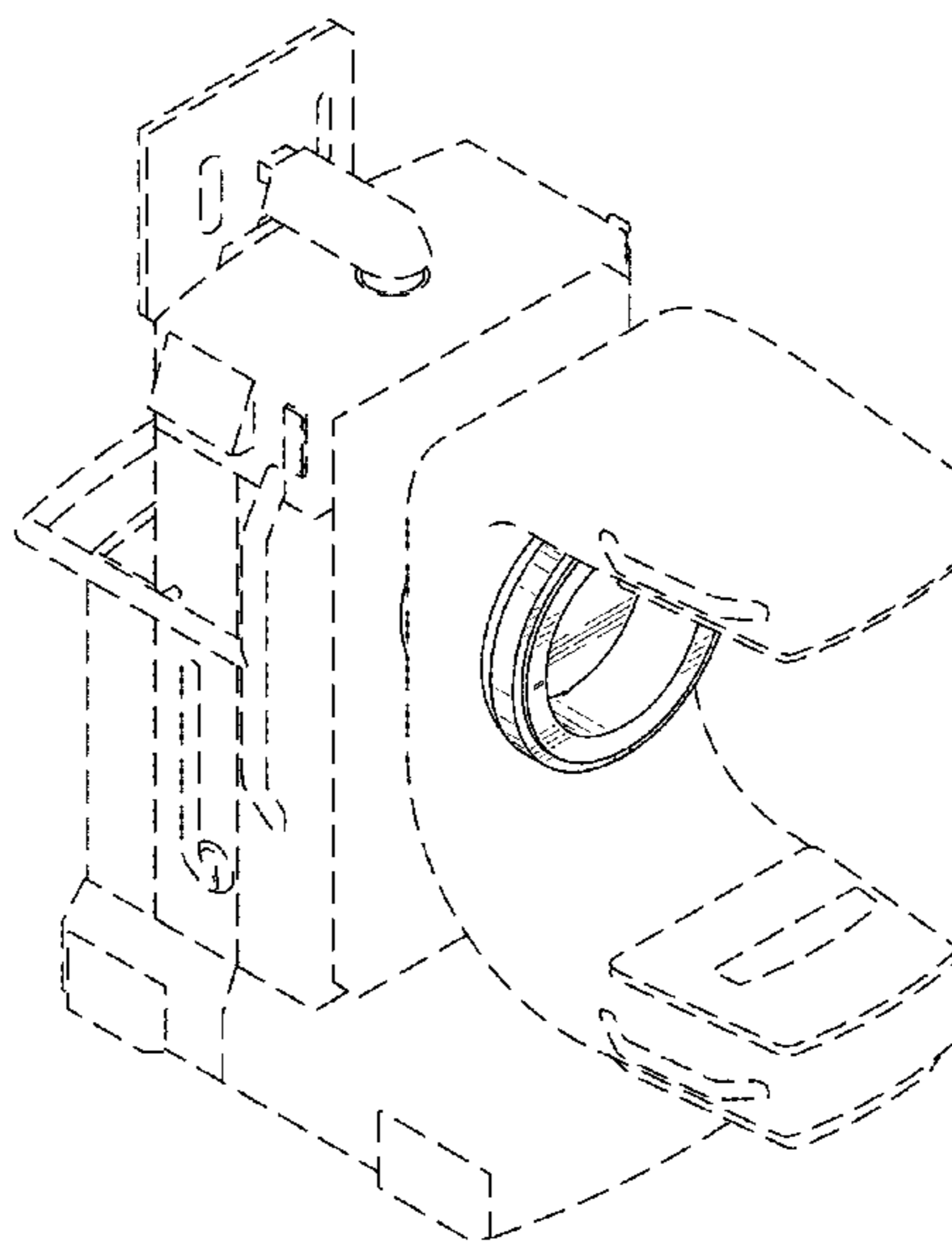
FIG. 6 is a top view of the design according to the invention. FIG. 7 is a bottom view of the design according to the invention.

FIG. 8 is an enlarged view of a portion of FIG. 2 surrounded by lines 1-1, 2-2, 3-3, and 4-4; and,

FIG. 9 is a perspective view showing a front side, a left side, and a bottom side of medical X-ray equipment according to the invention.

The broken lines in the drawings illustrate portions of the medical x-ray equipment that form no part of the claimed design. Solid rounded squares and vertical solid lines shown in FIGS. 1, 2, 8, and 9 each illustrate a boundary of components shown on the surface of the medical x-ray equipment.

1 Claim, 9 Drawing Sheets



(56)

References Cited

U.S. PATENT DOCUMENTS

2013/0279662 A1* 10/2013 Kobayashi A61B 6/4233
378/195
2015/0164441 A1* 6/2015 Niizeki A61B 6/4405
378/11
2015/0216493 A1* 8/2015 Kim A61B 6/4405
378/198

* cited by examiner

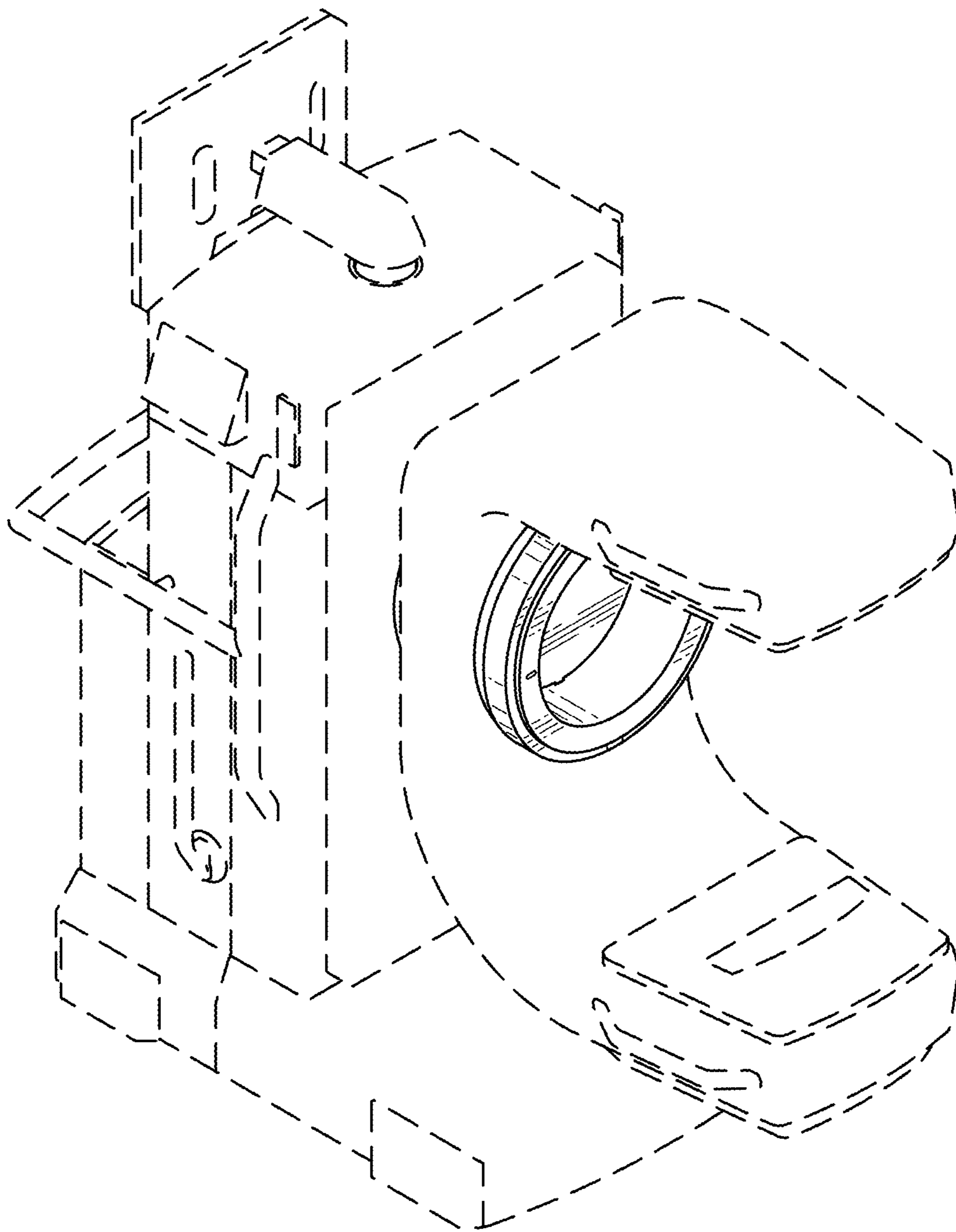


FIG. 1

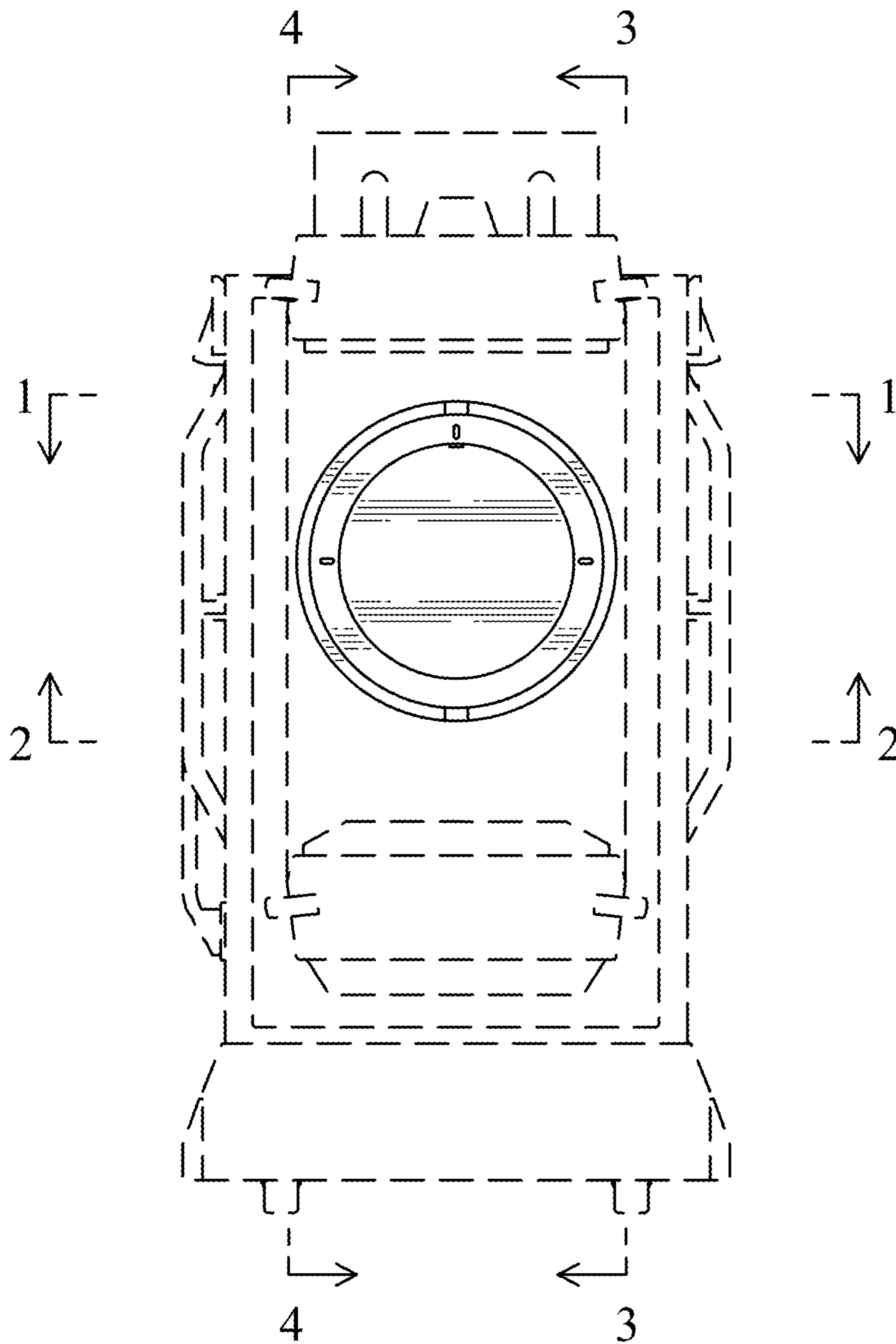


FIG. 2

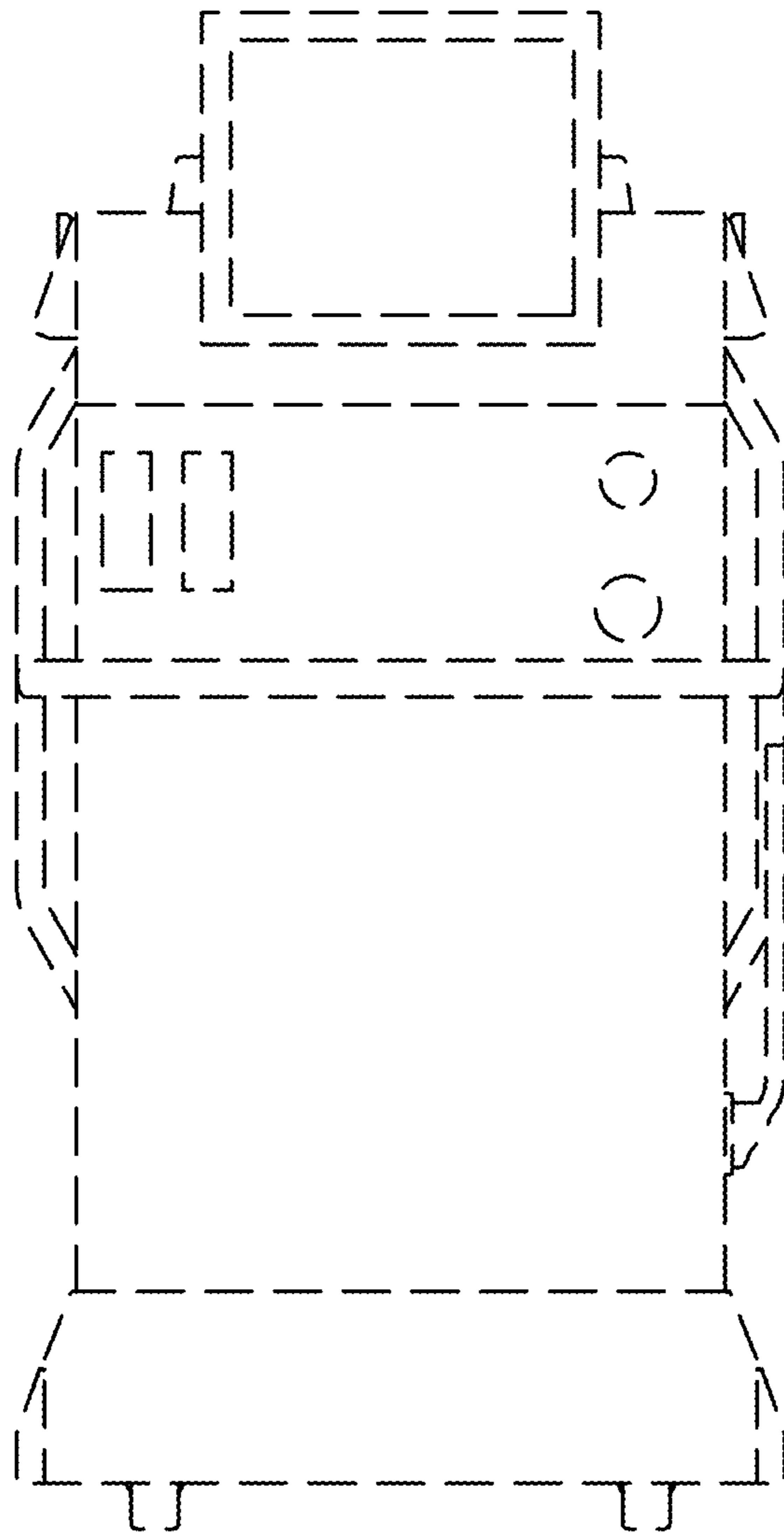


FIG. 3

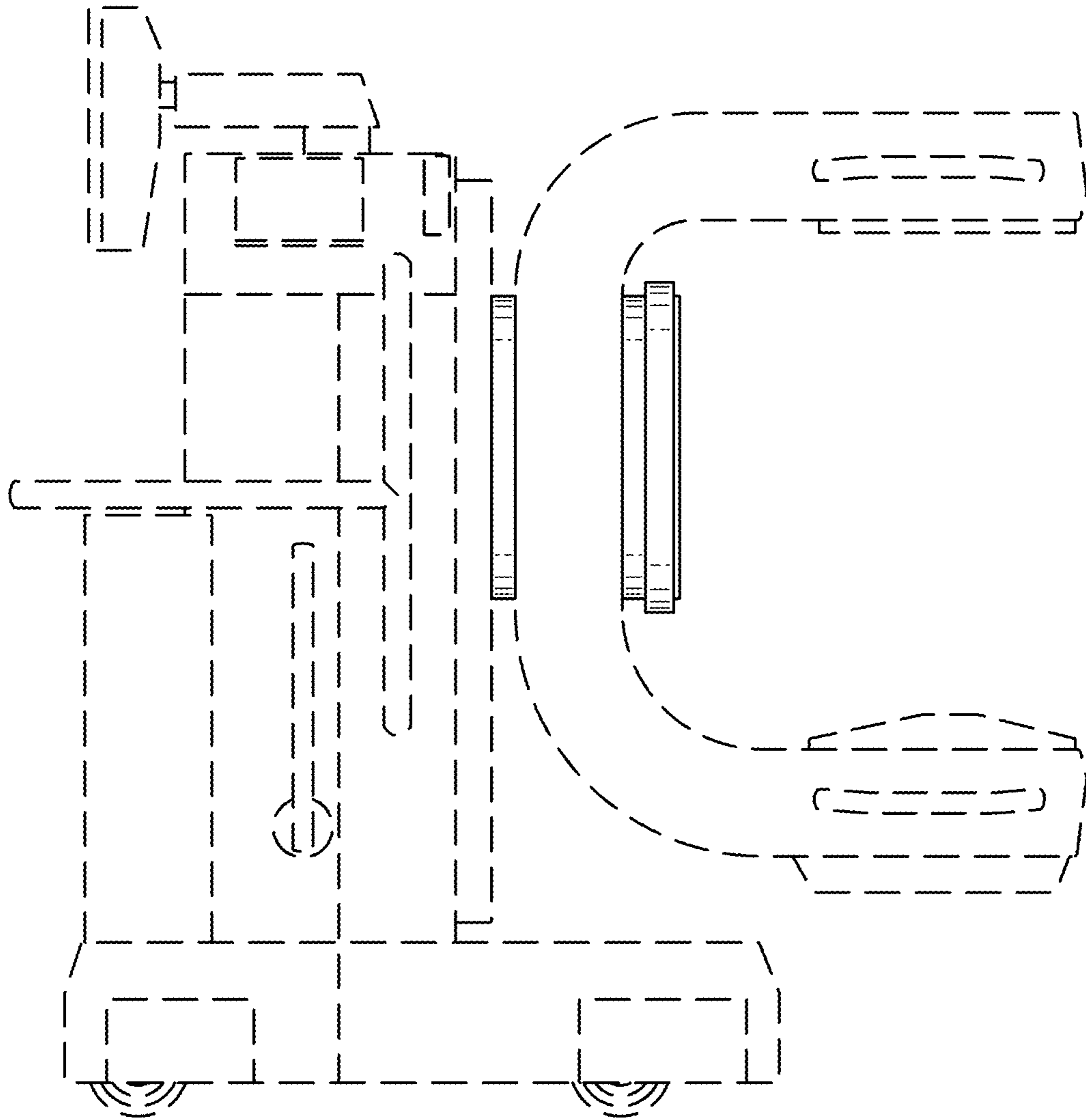


FIG. 4

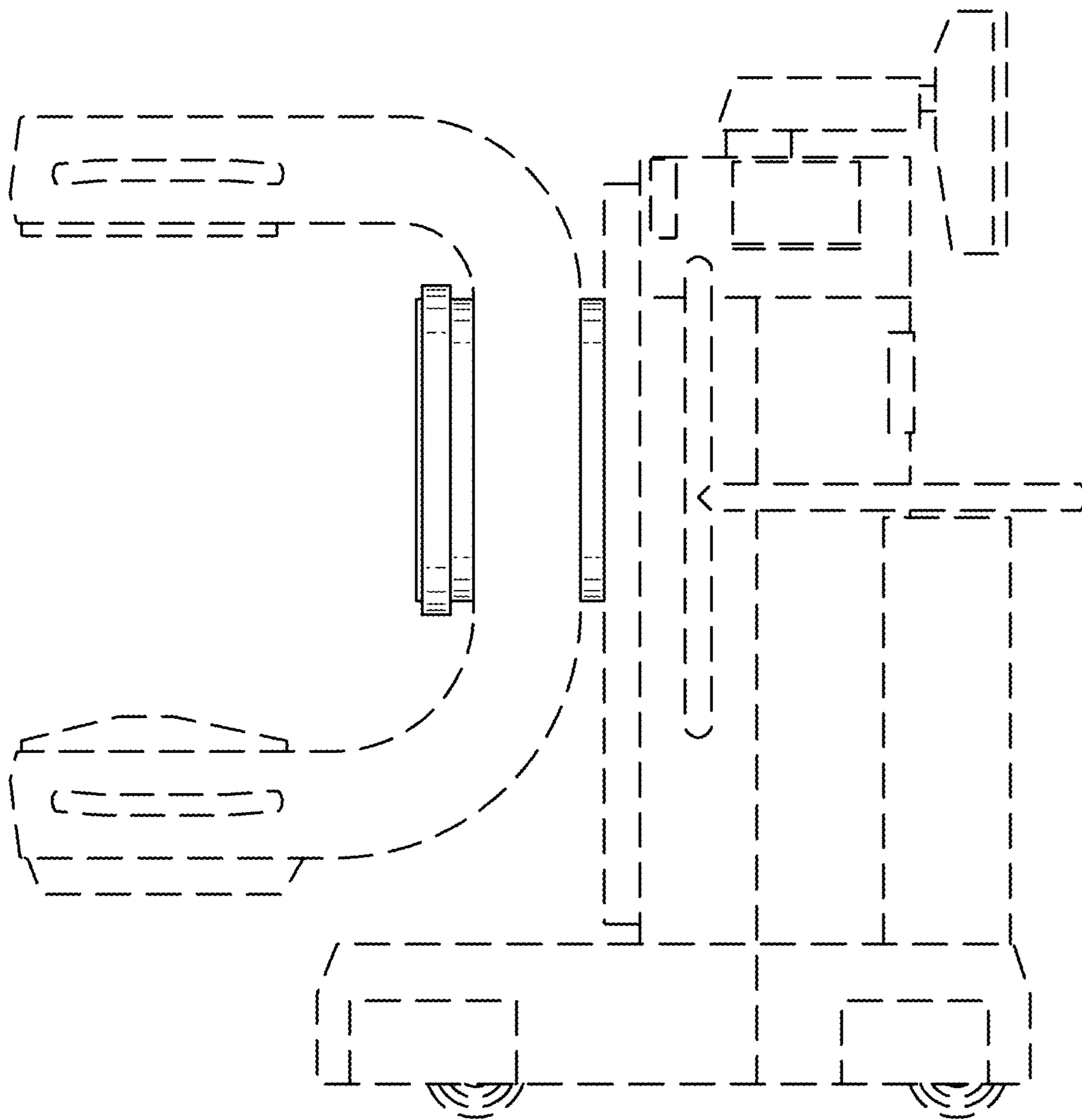


FIG. 5

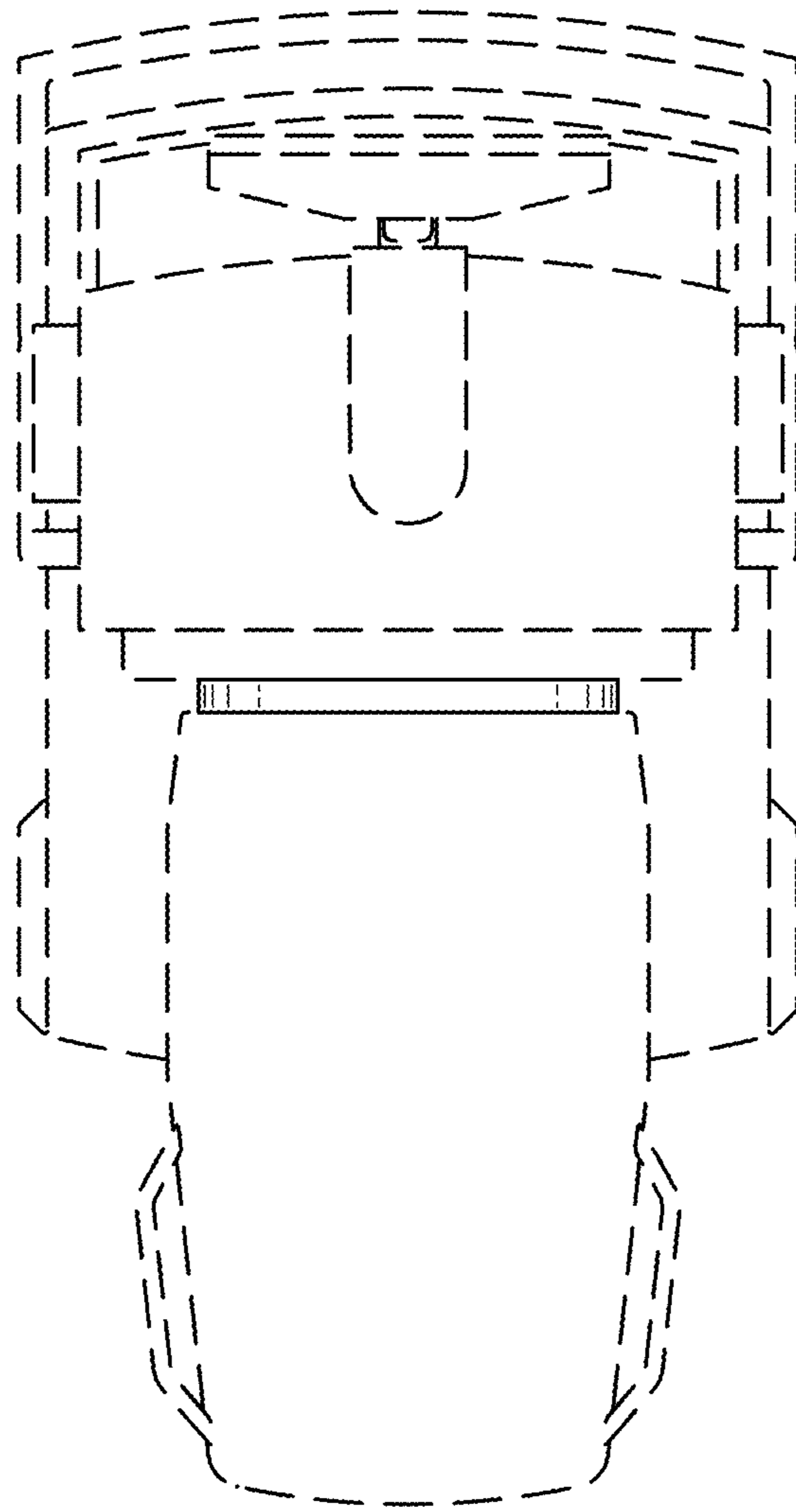


FIG. 6

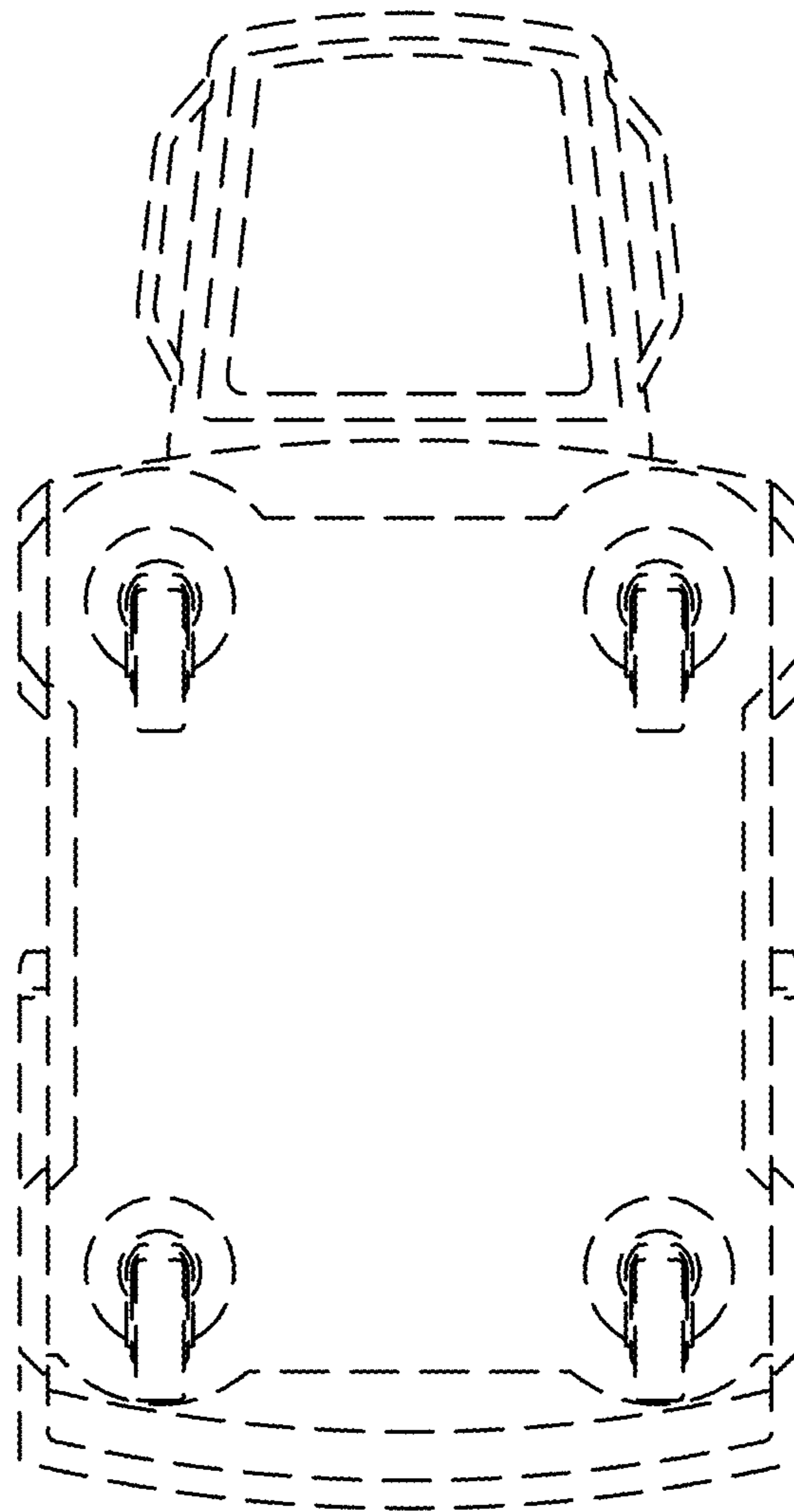


FIG. 7

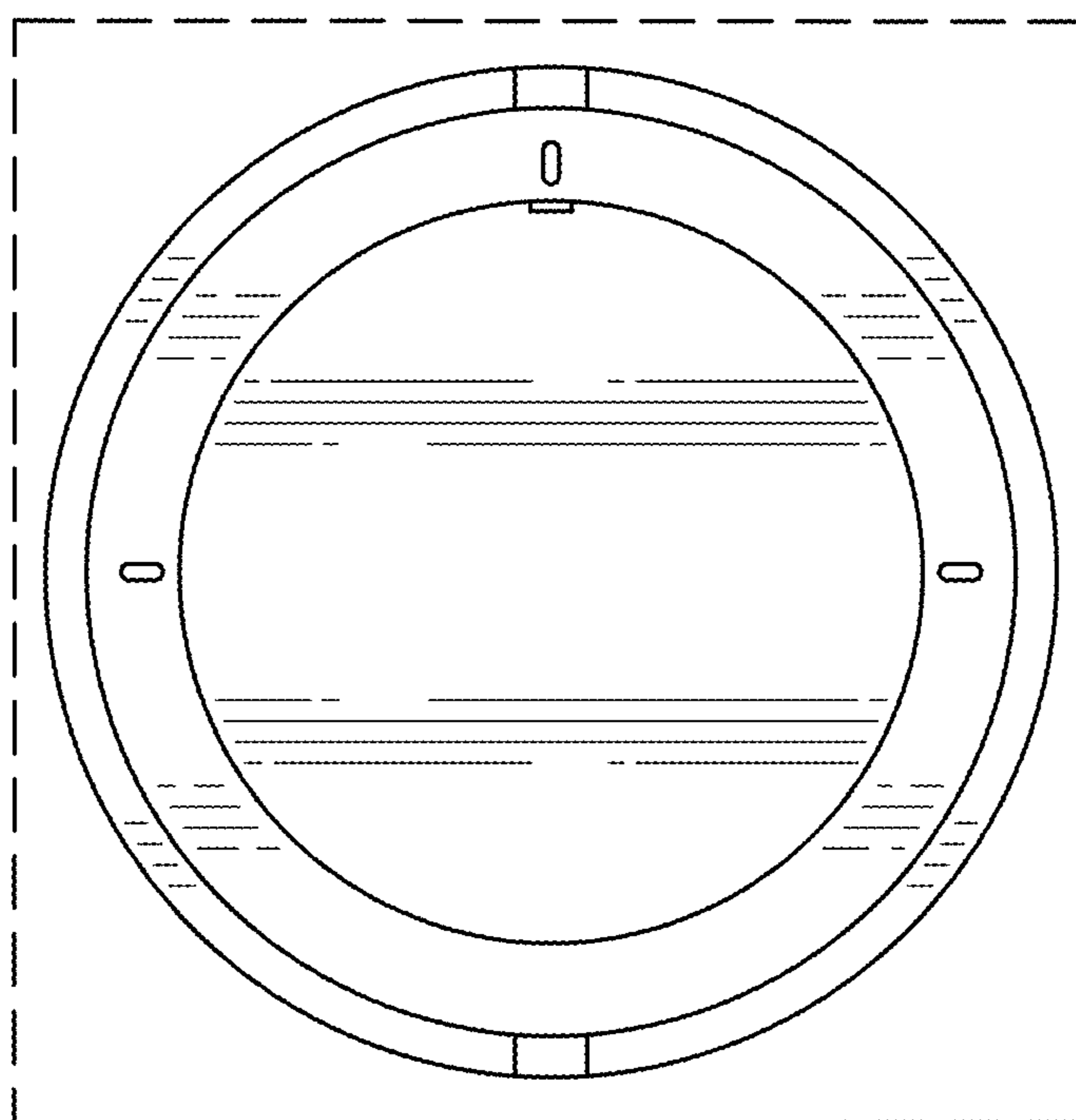


FIG. 8

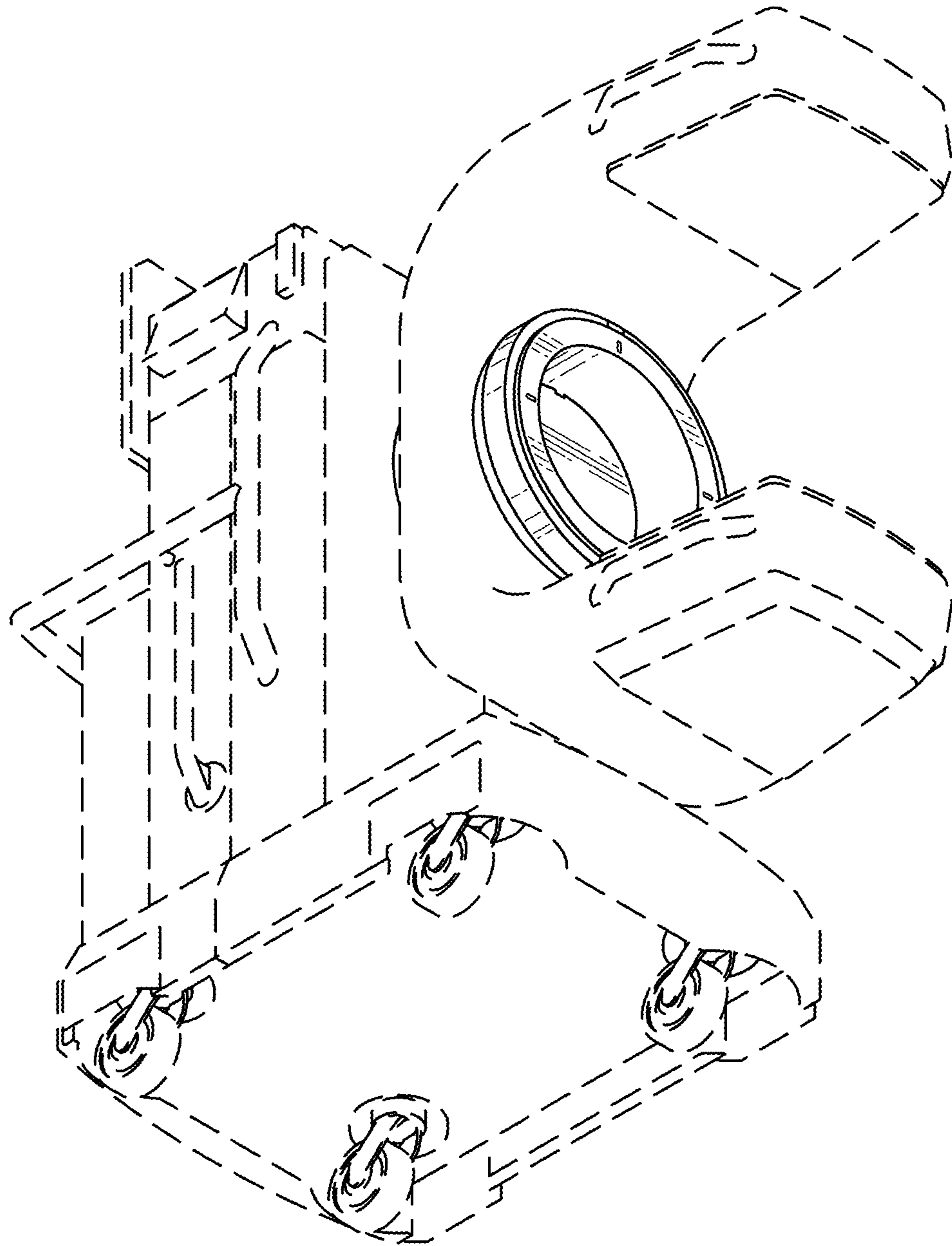


FIG. 9