



US00D783827S

(12) **United States Design Patent** (10) **Patent No.:** **US D783,827 S**
Arishima (45) **Date of Patent:** **** Apr. 11, 2017**

(54) **MEDICAL X-RAY EQUIPMENT**
 (71) Applicant: **J. Morita Mfg. Corp.**, Kyoto (JP)
 (72) Inventor: **Masahiko Arishima**, Kyoto (JP)
 (73) Assignee: **J. Morita Mfg. Corp.**, Kyoto (JP)
 (**) Term: **15 Years**

(21) Appl. No.: **29/537,360**
 (22) Filed: **Aug. 25, 2015**

(30) **Foreign Application Priority Data**
 Feb. 25, 2015 (JP) 2015-003846
 (51) **LOC (10) Cl.** **24-01**
 (52) **U.S. Cl.**
 USPC **D24/158**
 (58) **Field of Classification Search**
 USPC D24/158–161, 185, 186, 107
 CPC A61B 6/035; A61B 6/4405; A61B 6/4411;
 A61B 6/4429; A61B 6/4435; A61B
 6/4441; A61B 6/4447; A61B 6/484; A61B
 6/14
 See application file for complete search history.

(56) **References Cited**
 U.S. PATENT DOCUMENTS
 D213,409 S * 2/1969 Vedder D24/158
 D438,619 S * 3/2001 Okada D24/158
 D439,668 S * 3/2001 Aoki D24/159
 D639,947 S * 6/2011 Choi D24/158
 9,052,271 B2 * 6/2015 Grodzins G01N 23/203
 9,355,810 B2 * 5/2016 Chen H01J 35/14
 2005/0117693 A1 * 6/2005 Miyano A61B 6/0478
 378/4
 2009/0060123 A1 * 3/2009 Nakayama A61B 6/035
 378/15

2010/0322377 A1 * 12/2010 Niizeki A61B 6/4441
 378/20
 2013/0230142 A1 * 9/2013 Murata A61B 6/4405
 378/62
 2013/0279662 A1 * 10/2013 Kobayashi A61B 6/4233
 378/195
 2015/0164441 A1 * 6/2015 Niizeki A61B 6/4405
 378/11
 2015/0216493 A1 * 8/2015 Kim A61B 6/4405
 378/198

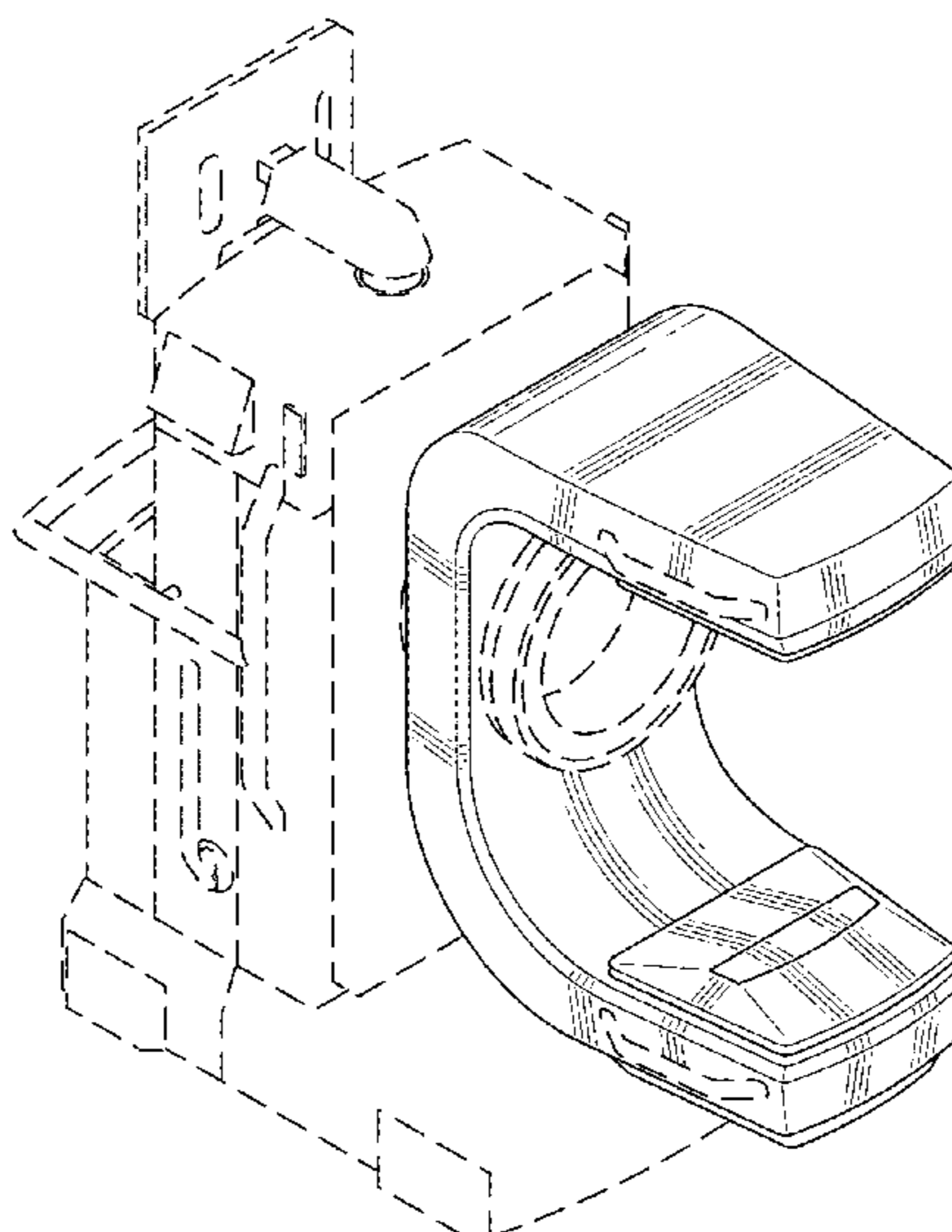
* cited by examiner

Primary Examiner — Anhdao Doan
 (74) *Attorney, Agent, or Firm* — Osha Liang LLP

(57) **CLAIM**
 The ornamental design for a medical X-ray equipment, as shown and described.

DESCRIPTION
 FIG. 1 is a perspective view showing a front side, a left side, and a top side of medical X-ray equipment according to the invention.
 FIG. 2 is a front view of the design according to the invention.
 FIG. 3 is a rear view of the design according to the invention.
 FIG. 4 is a left side view of the design according to the invention.
 FIG. 5 is a right side view of the design according to the invention.
 FIG. 6 is a top view of the design according to the invention.
 FIG. 7 is a bottom view of the design according to the invention; and,
 FIG. 8 is a perspective view showing a front side, a left side, and a bottom side of medical X-ray equipment according to the invention.
 The broken lines in the drawings illustrate portions of the medical x-ray equipment that form no part of the claimed design.

1 Claim, 8 Drawing Sheets



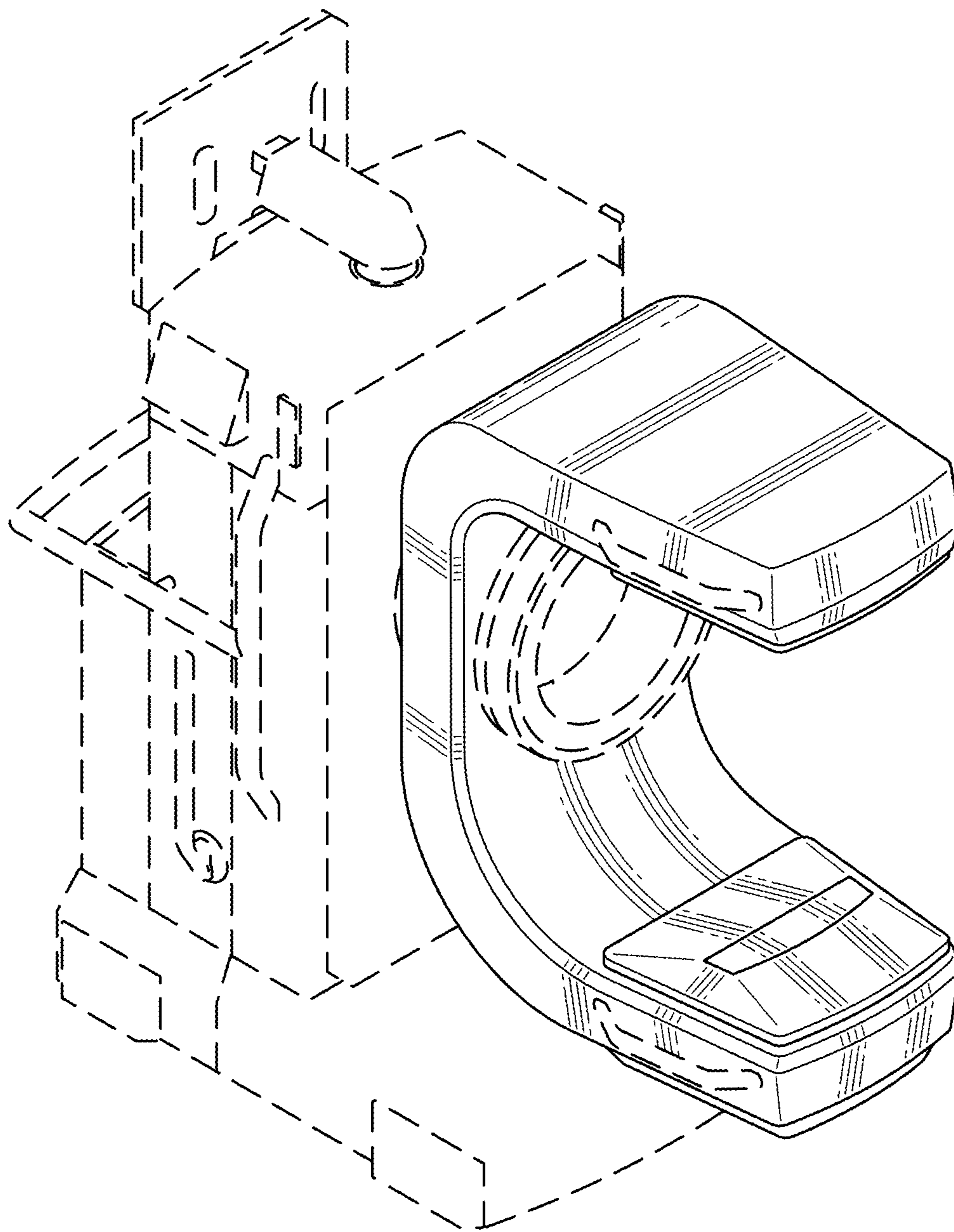


FIG. 1

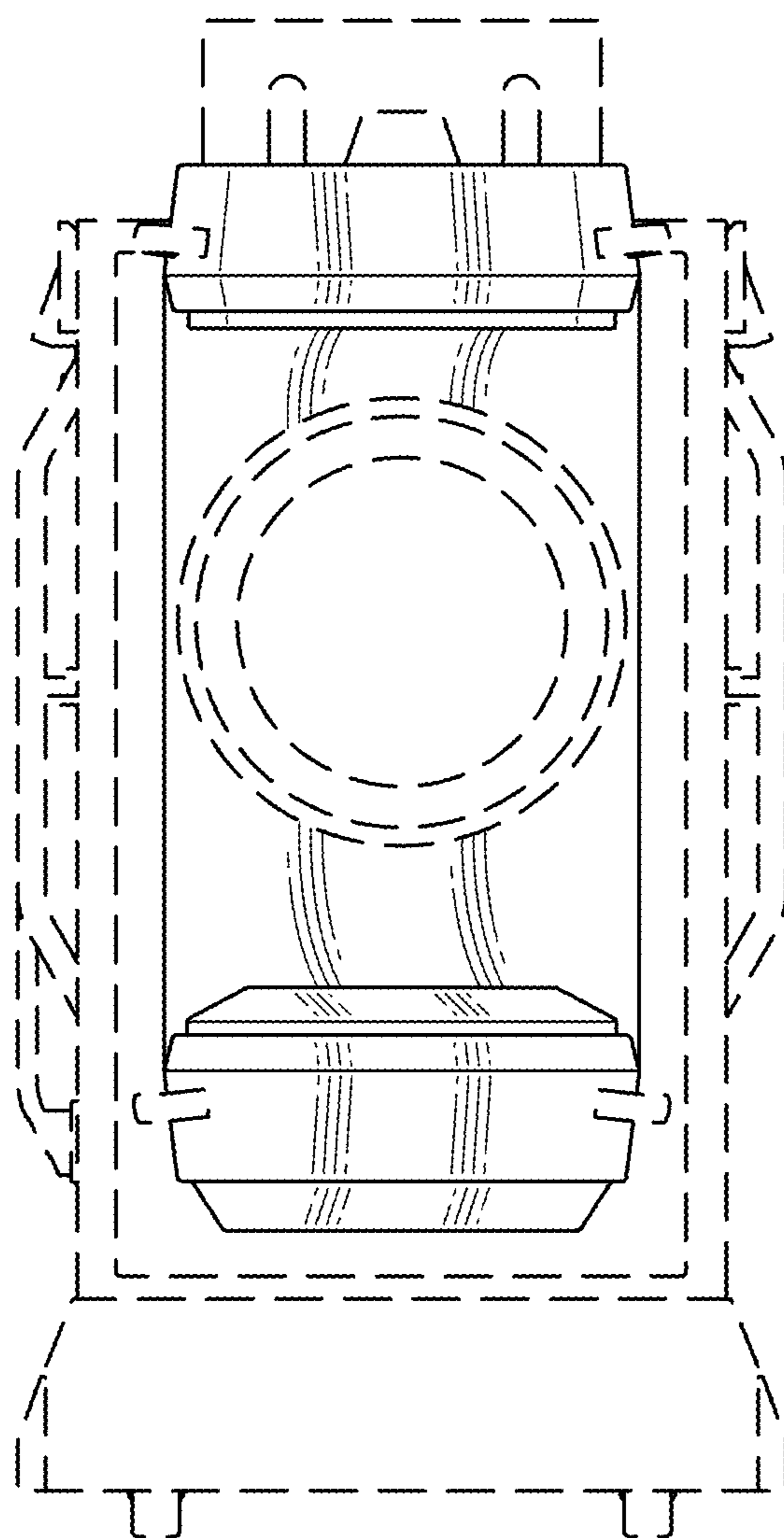


FIG. 2

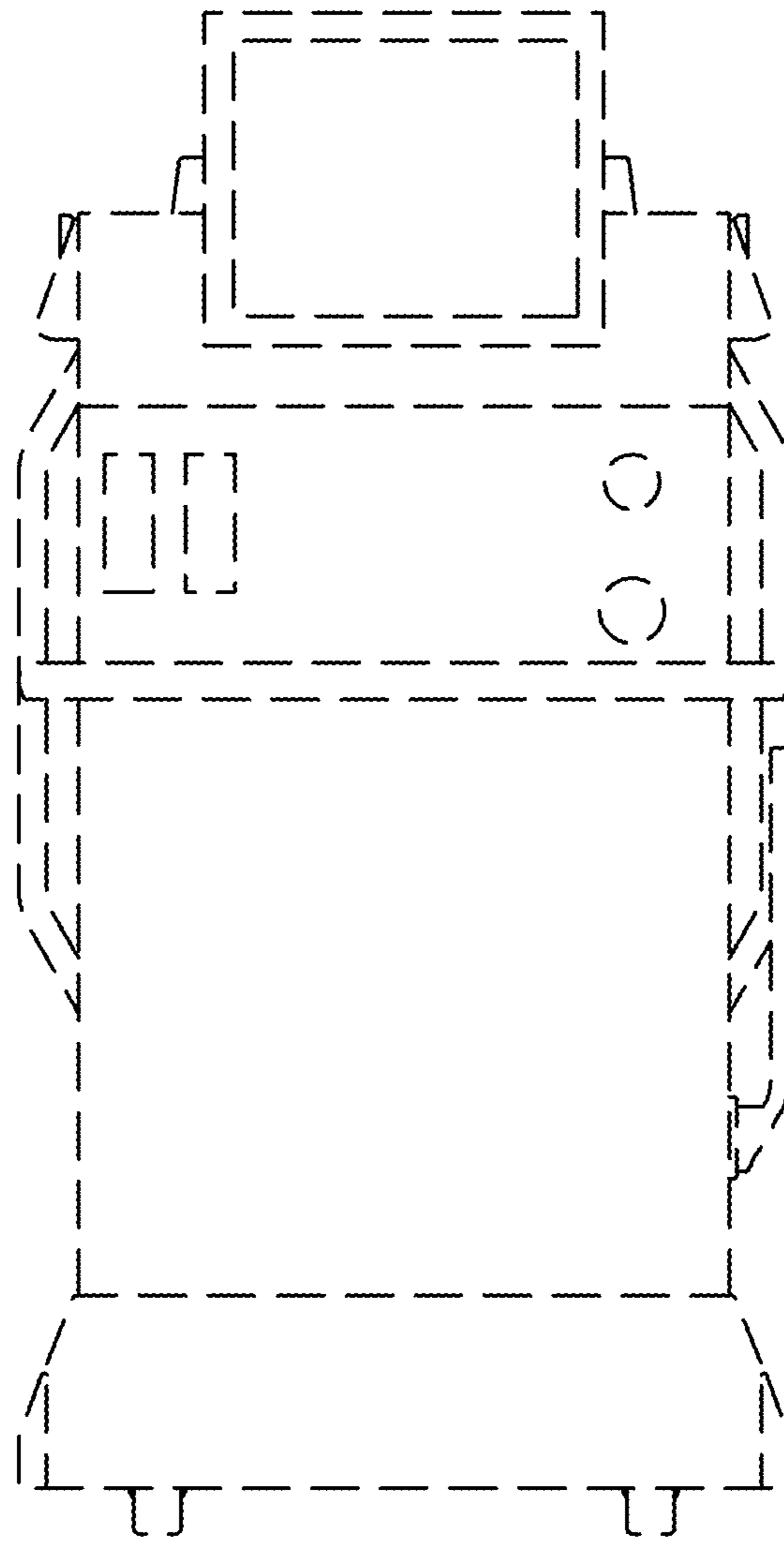


FIG. 3

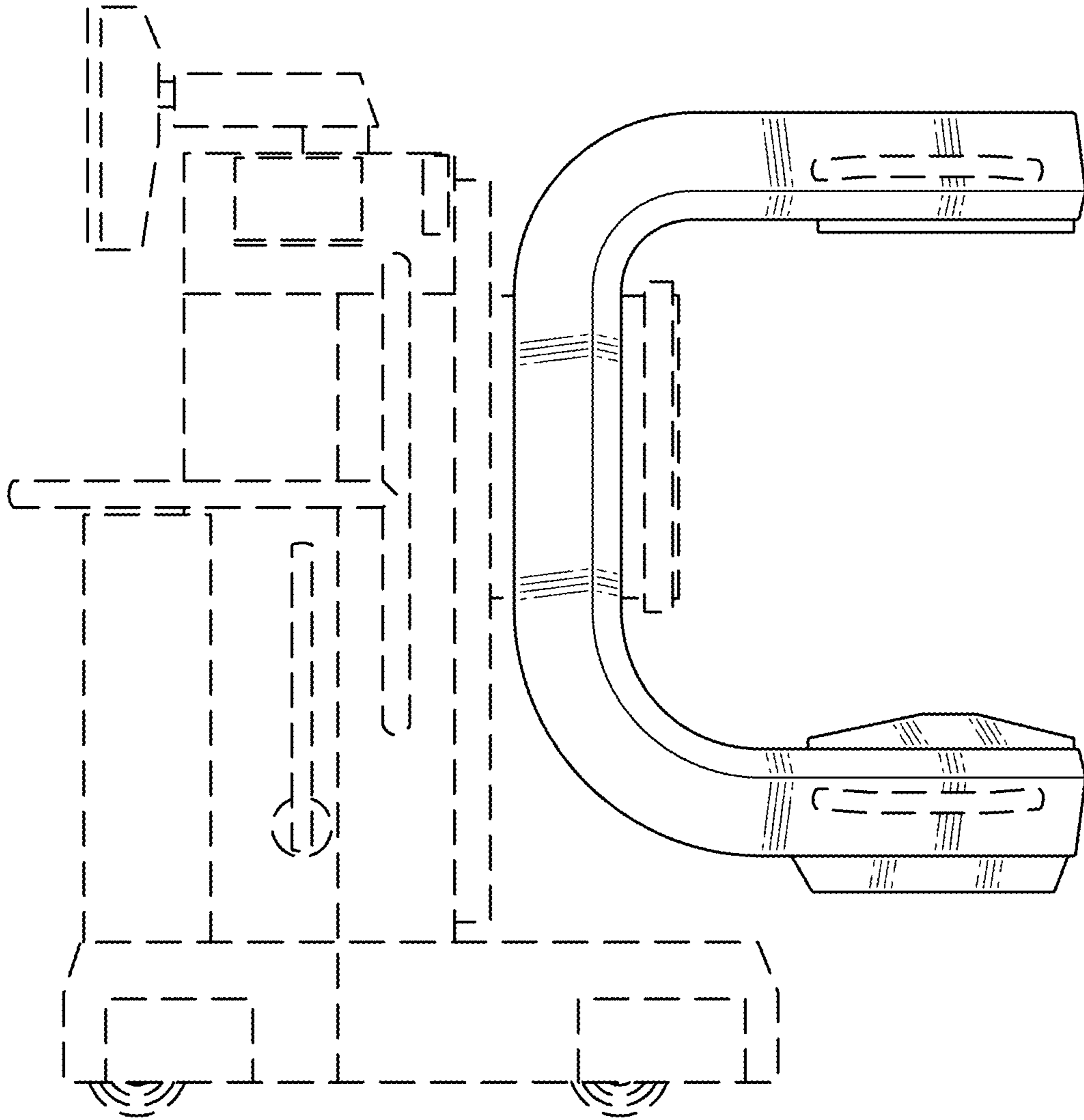


FIG. 4

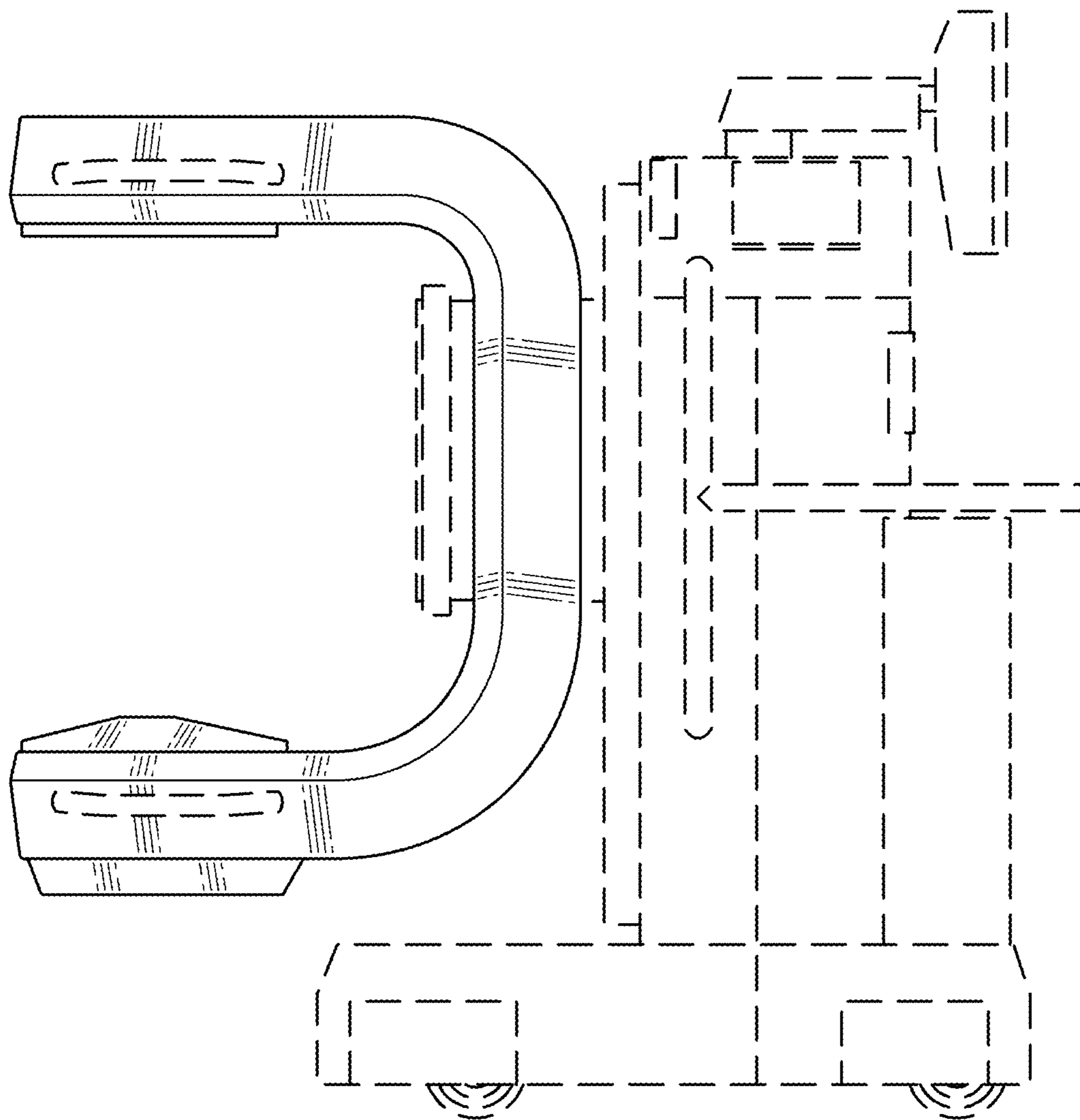


FIG. 5

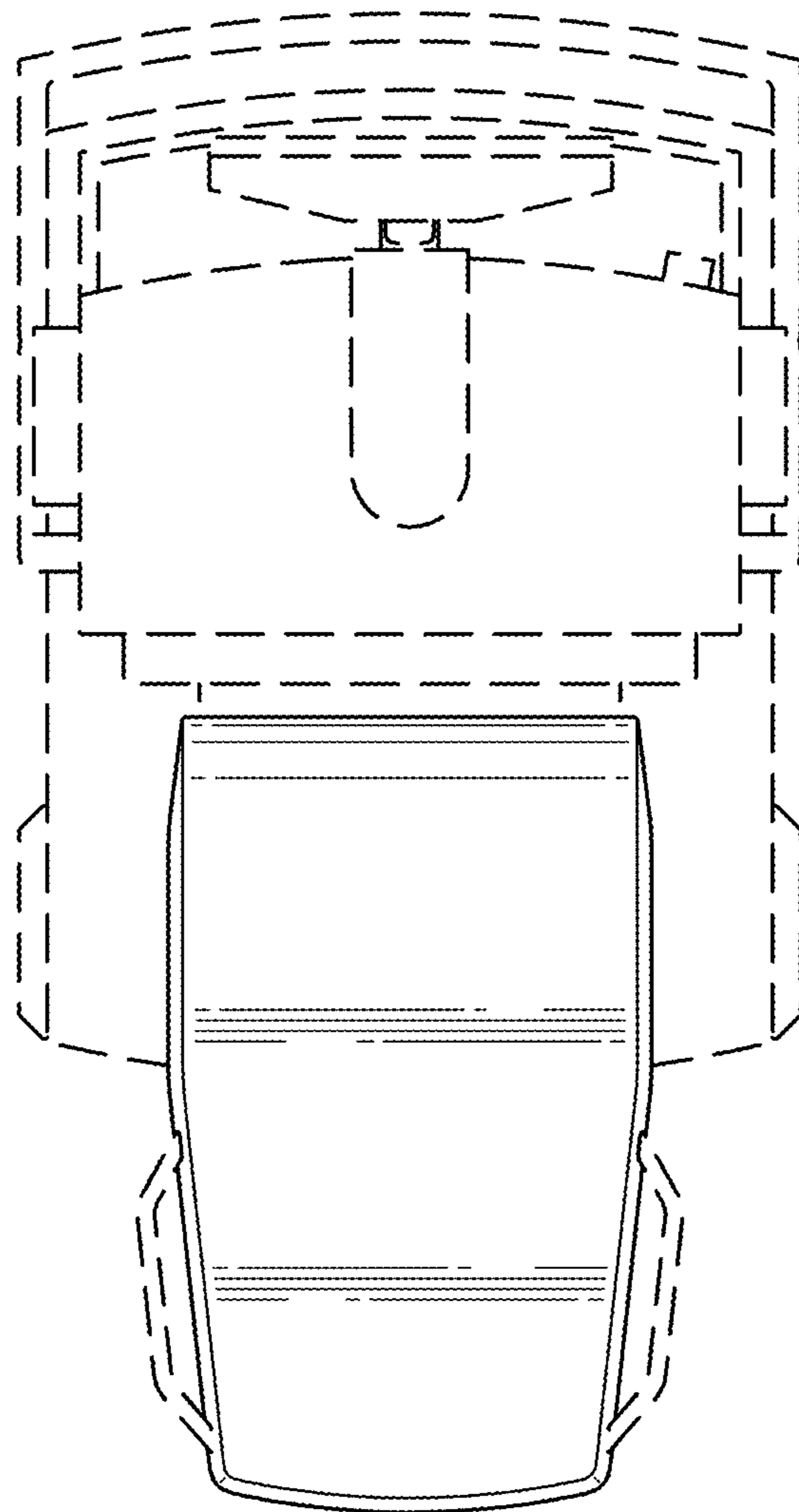


FIG. 6

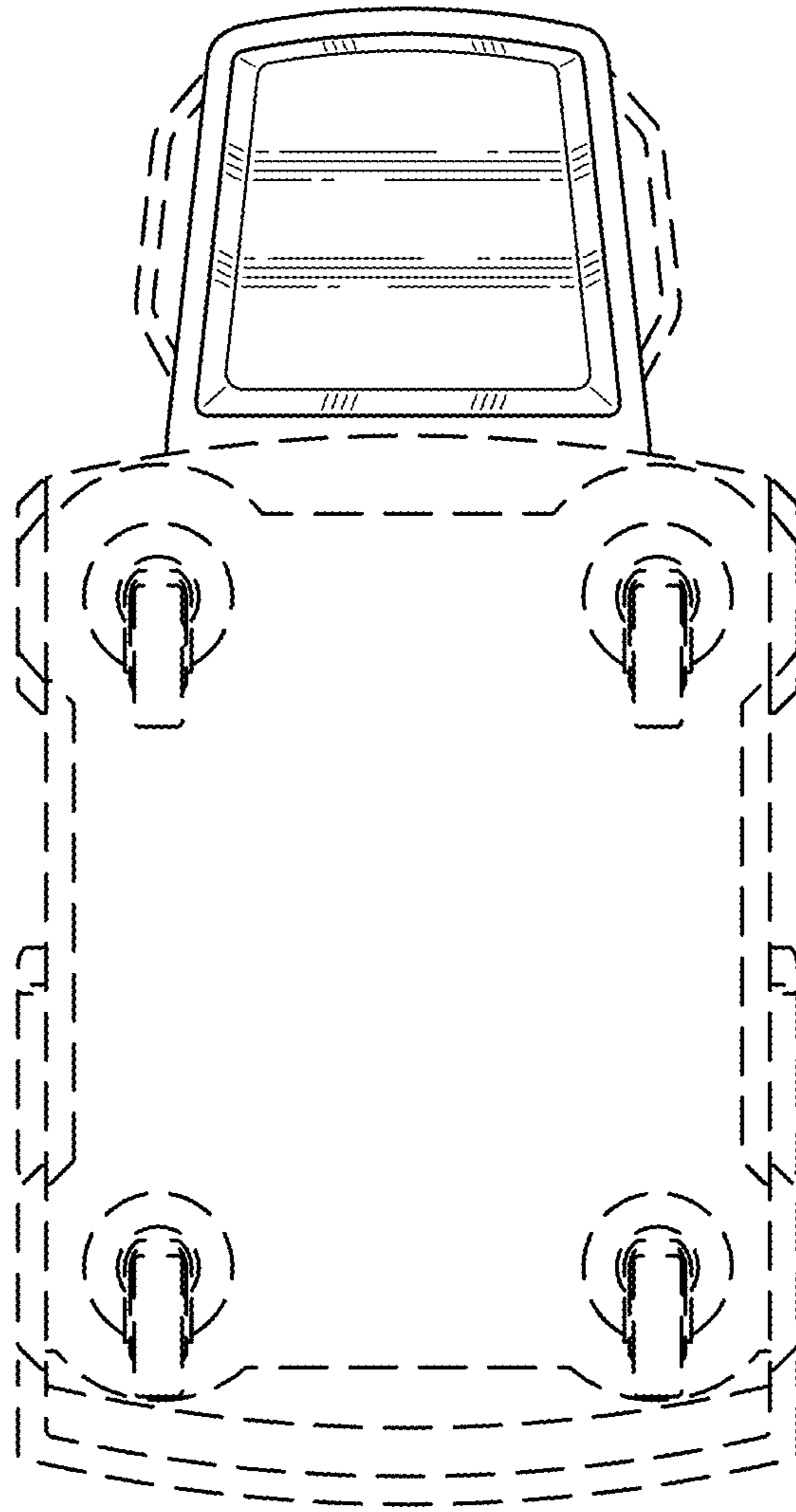


FIG. 7

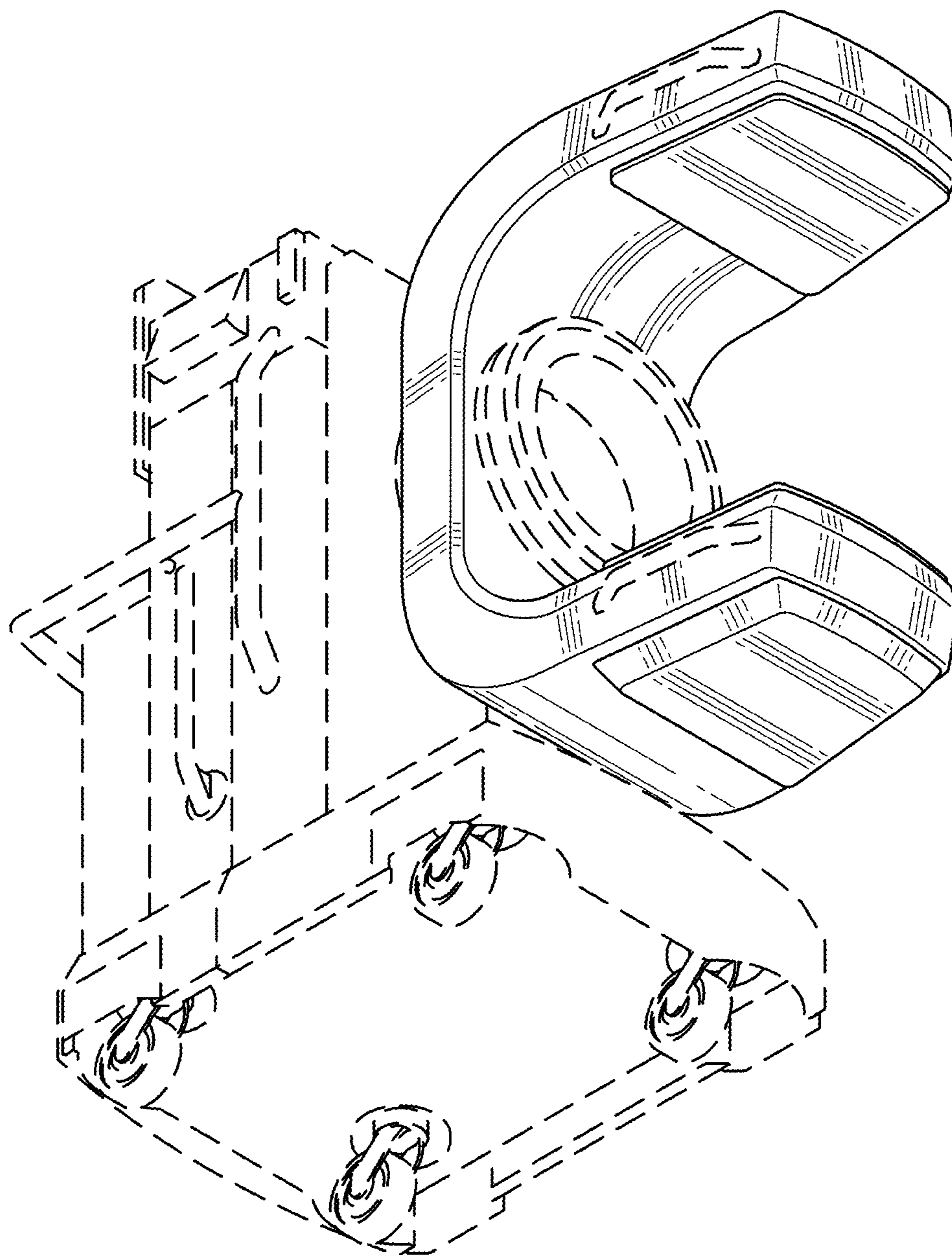


FIG. 8