



US00D783826S

(12) **United States Design Patent** (10) **Patent No.:** **US D783,826 S**  
**Emanuelli** (45) **Date of Patent:** **\*\* Apr. 11, 2017**

(54) **ROOT PART FOR A DENTAL IMPLANT**

FOREIGN PATENT DOCUMENTS

(71) Applicant: **Silvio Franco Emanuelli**, Sanremo (IT)

AU 753575 B2 10/2002  
DE 19625975 A1 1/1998

(72) Inventor: **Silvio Franco Emanuelli**, Sanremo (IT)

(Continued)

(\*\*) Term: **15 Years**

*Primary Examiner* — Charles Hanson

(21) Appl. No.: **29/553,912**

(74) *Attorney, Agent, or Firm* — Condo Roccia Koptiw LLP

(22) Filed: **Feb. 5, 2016**

(57) **CLAIM**

(51) **LOC (10) Cl.** ..... **24-02**

The ornamental design for a root part for a dental implant, as shown and described.

(52) **U.S. Cl.**

USPC ..... **D24/156**

(58) **Field of Classification Search**

**DESCRIPTION**

USPC ..... D24/155–157; D8/137  
CPC ..... A61C 8/00; A61C 8/0089; A61C 8/0069;  
A61C 8/0054; A61C 8/0096; A61C  
8/0039; A61C 8/0063; A61C 8/006; A61C  
8/0001; A61C 8/0012; A61C 8/0075;  
A61C 8/0083; A61C 13/225

See application file for complete search history.

This application is related to U.S. patent application Ser. No. 29/553,916 filed Feb. 5, 2016, and entitled “Post Part for a Dental Implant,” U.S. patent application Ser. No. 29/553,881 filed Feb. 5, 2016, entitled “Root Part for a Dental Implant,” U.S. patent application Ser. No. 29/553,886 filed Feb. 5, 2016, entitled “Post Part for a Dental Implant,” U.S. patent application Ser. No. 29/553,896 filed Feb. 5, 2016, entitled “Root Part for a Dental Implant,” and U.S. patent application Ser. No. 29/553,904 filed Feb. 5, 2016, entitled “Post Part for a Dental Implant,” which are incorporated by reference herein in their entirety.

(56) **References Cited**

U.S. PATENT DOCUMENTS

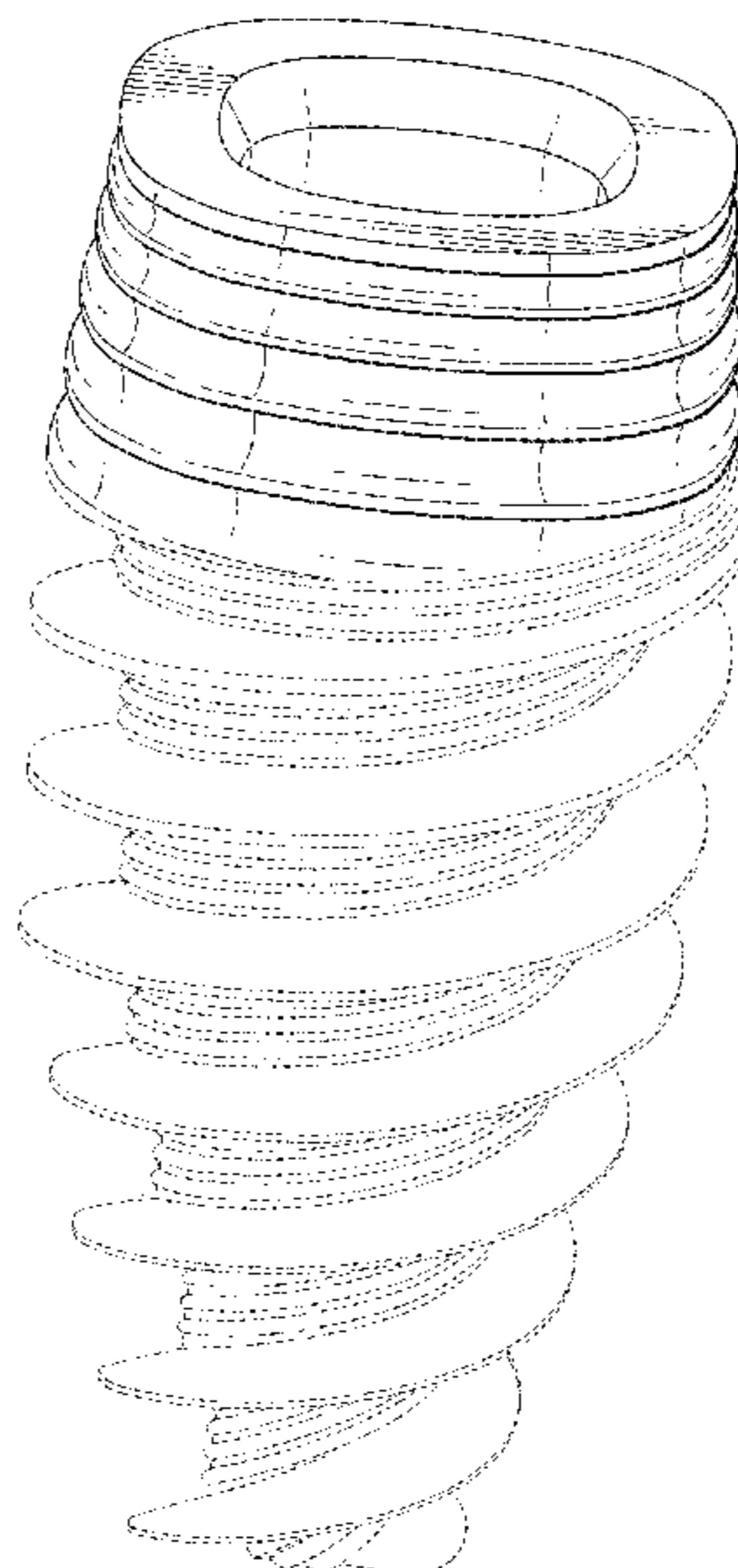
2,721,387 A 10/1955 Ashuckian  
2,857,670 A 10/1958 Kiernan, Jr.  
3,708,883 A 1/1973 Flander  
D296,362 S 6/1988 Branemark  
5,035,619 A 7/1991 Daftary  
5,073,111 A 12/1991 Daftary  
5,145,372 A 9/1992 Daftary et al.  
5,246,370 A 9/1993 Coatoam  
5,297,963 A 3/1994 Dafatry  
5,342,199 A 8/1994 Gillespie  
5,344,457 A 9/1994 Pilliar et al.  
5,427,526 A 6/1995 Fernandes  
5,431,567 A 7/1995 Daftary  
5,470,230 A 11/1995 Daftary et al.

FIG. 1 is a perspective view of a root part for a dental implant showing my new design;  
FIG. 2 is a side view thereof;  
FIG. 3 is a side view thereof;  
FIG. 4 is a side view thereof;  
FIG. 5 is a side view thereof;  
FIG. 6 is a top view thereof; and,  
FIG. 7 is a bottom view thereof.

The broken line showing is included for the purpose of illustrating unclaimed subject matter and forms no part of the claimed design.

(Continued)

**1 Claim, 4 Drawing Sheets**



(56)

References Cited

U.S. PATENT DOCUMENTS

5,704,239 A 1/1998 Beals et al.  
 5,725,581 A 3/1998 Br.ang.nemark  
 5,749,732 A 5/1998 Sendax  
 5,759,034 A \* 6/1998 Daftary ..... A61C 8/0018  
 433/172  
 5,810,590 A 9/1998 Fried et al.  
 5,810,592 A 9/1998 Daftary  
 5,890,902 A 4/1999 Sopian  
 5,947,732 A 9/1999 Beaty et al.  
 5,967,783 A 10/1999 Ura  
 6,039,568 A 3/2000 Hinds  
 6,083,004 A 7/2000 Misch et al.  
 6,095,817 A 8/2000 Wagner et al.  
 6,099,313 A 8/2000 Dorken et al.  
 6,164,969 A 12/2000 Dinkelacker  
 6,174,167 B1 1/2001 Wohrle  
 6,217,333 B1 4/2001 Ercoli  
 6,220,860 B1 4/2001 Hansson  
 6,231,342 B1 5/2001 Osorio et al.  
 6,261,097 B1 7/2001 Schmutz et al.  
 6,283,754 B1 9/2001 Wohrle  
 D455,833 S 4/2002 Daftary  
 D456,900 S 5/2002 Daftary  
 6,413,089 B1 7/2002 Ashman et al.  
 6,431,867 B1 8/2002 Gittelson et al.  
 6,458,134 B1 10/2002 Songer et al.  
 D470,939 S \* 2/2003 Daftary ..... A61C 8/0018  
 D24/156  
 6,517,543 B1 2/2003 Berrevoets et al.  
 6,527,553 B2 3/2003 Yeung  
 6,527,554 B2 3/2003 Hurson et al.  
 6,537,069 B1 3/2003 Simmons, Jr.  
 6,619,958 B2 9/2003 Beaty et al.  
 6,644,969 B2 11/2003 Kumar  
 D482,957 S 12/2003 Lajeunesse et al.  
 D488,559 S 4/2004 Schulter et al.  
 D490,901 S 6/2004 Schulter et al.  
 6,758,672 B2 7/2004 Porter et al.  
 D493,890 S 8/2004 Schulter et al.  
 6,821,123 B2 11/2004 Andersson et al.  
 6,843,653 B2 1/2005 Carlton  
 6,854,972 B1 2/2005 Elian  
 6,857,874 B2 2/2005 Kim  
 D503,803 S 4/2005 Shalaby et al.  
 D507,650 S \* 7/2005 Teich ..... D24/156  
 7,198,488 B2 4/2007 Lang et al.  
 7,207,800 B1 4/2007 Kwan

7,207,801 B2 \* 4/2007 Vogt ..... A61C 8/0087  
 433/173  
 D552,977 S 10/2007 He et al.  
 D556,907 S \* 12/2007 Rassoli ..... D24/156  
 D565,181 S \* 3/2008 Anitua Aldecoa ..... D24/156  
 D577,122 S 9/2008 Aldecoa  
 D578,218 S \* 10/2008 Purga ..... D24/156  
 D583,945 S 12/2008 Anitua Aldecoa  
 D588,699 S \* 3/2009 Aldecoa ..... D24/156  
 D588,700 S 3/2009 Anitua Aldecoa  
 D601,703 S \* 10/2009 Kahdemann ..... D24/156  
 D603,512 S 11/2009 Emanuelli  
 D603,513 S \* 11/2009 Emanuelli ..... D24/156  
 D603,514 S \* 11/2009 Emanuelli ..... D24/156  
 D604,851 S \* 11/2009 Ishikawa ..... D24/156  
 D605,291 S \* 12/2009 Ishikawa ..... D24/156  
 7,632,096 B2 \* 12/2009 Gittleman ..... A61C 8/0001  
 433/173  
 D620,117 S \* 7/2010 Dawson ..... D24/156  
 D652,929 S \* 1/2012 Sibhatu ..... D24/156  
 D653,344 S \* 1/2012 Bar-Shalom ..... D24/156  
 D666,295 S \* 8/2012 Hung ..... D24/156  
 D668,764 S \* 10/2012 Lussi ..... D24/156  
 D717,435 S \* 11/2014 Park ..... D24/156  
 D717,436 S \* 11/2014 Park ..... D24/156  
 D721,809 S \* 1/2015 Andersin ..... D24/155  
 D725,269 S \* 3/2015 Chung ..... D24/155  
 D734,466 S \* 7/2015 Kimron ..... D24/156  
 9,308,061 B2 4/2016 Zipprich  
 D765,856 S \* 9/2016 Schoene ..... D24/156  
 2001/0021498 A1 9/2001 Osorio et al.  
 2003/0031982 A1 2/2003 Abarno  
 2003/0082499 A1 \* 5/2003 Halldin ..... A61C 8/0001  
 433/173  
 2003/0143514 A1 7/2003 Peltier  
 2004/0259056 A1 12/2004 Holt  
 2005/0164146 A1 7/2005 Cantor  
 2006/0127849 A1 6/2006 Levisman  
 2006/0154203 A1 7/2006 Emanuelli  
 2013/0108984 A1 5/2013 Zipprich  
 2014/0106305 A1 4/2014 Jacoby et al.

FOREIGN PATENT DOCUMENTS

DE 19628464 A1 1/1998  
 EP 0867153 B1 2/2006  
 FR 2693900 A1 1/1994  
 FR 2788963 A1 8/2000  
 GB 2139095 A 11/1984  
 WO WO 01/34056 A1 5/2001  
 WO WO 03/005928 A1 1/2003

\* cited by examiner

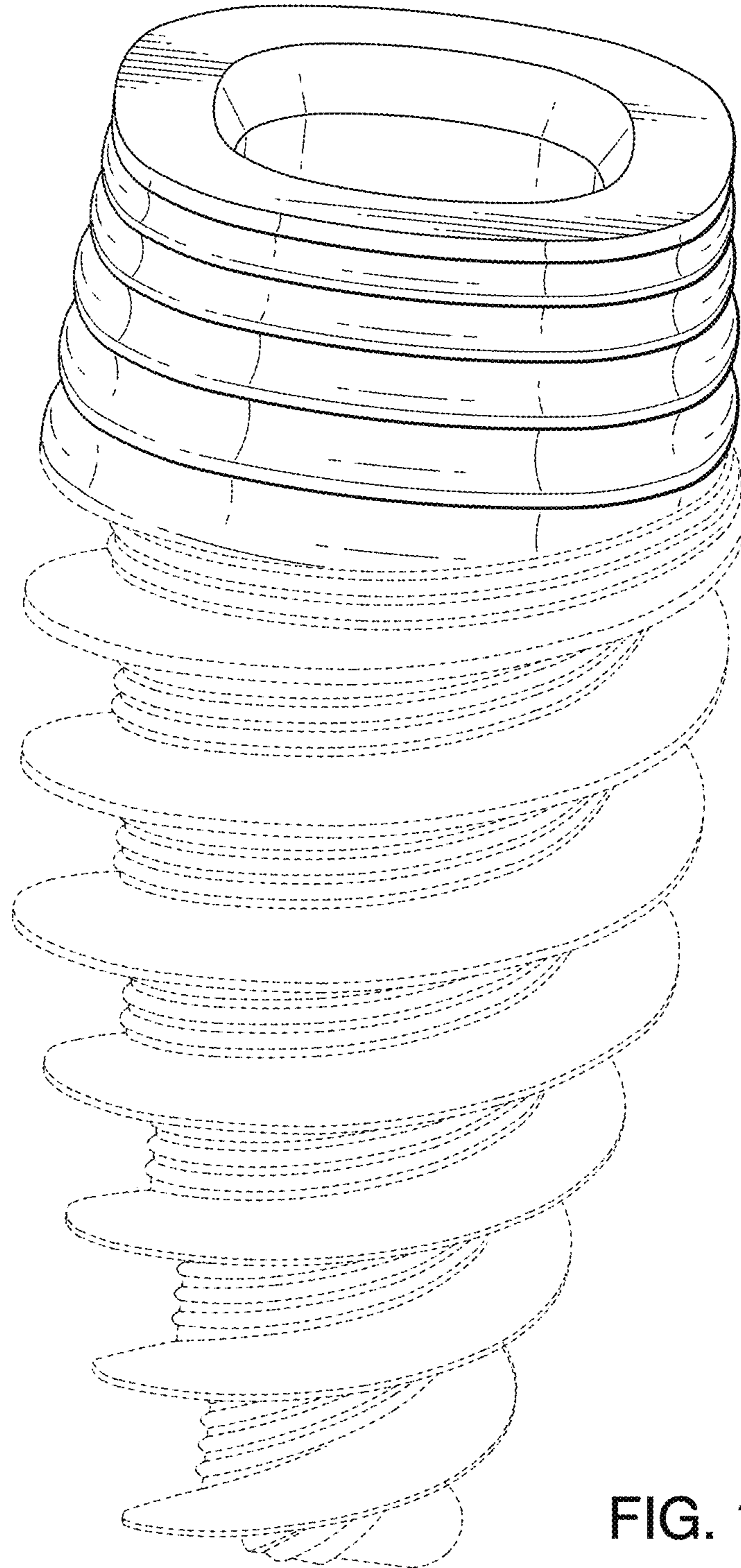


FIG. 1

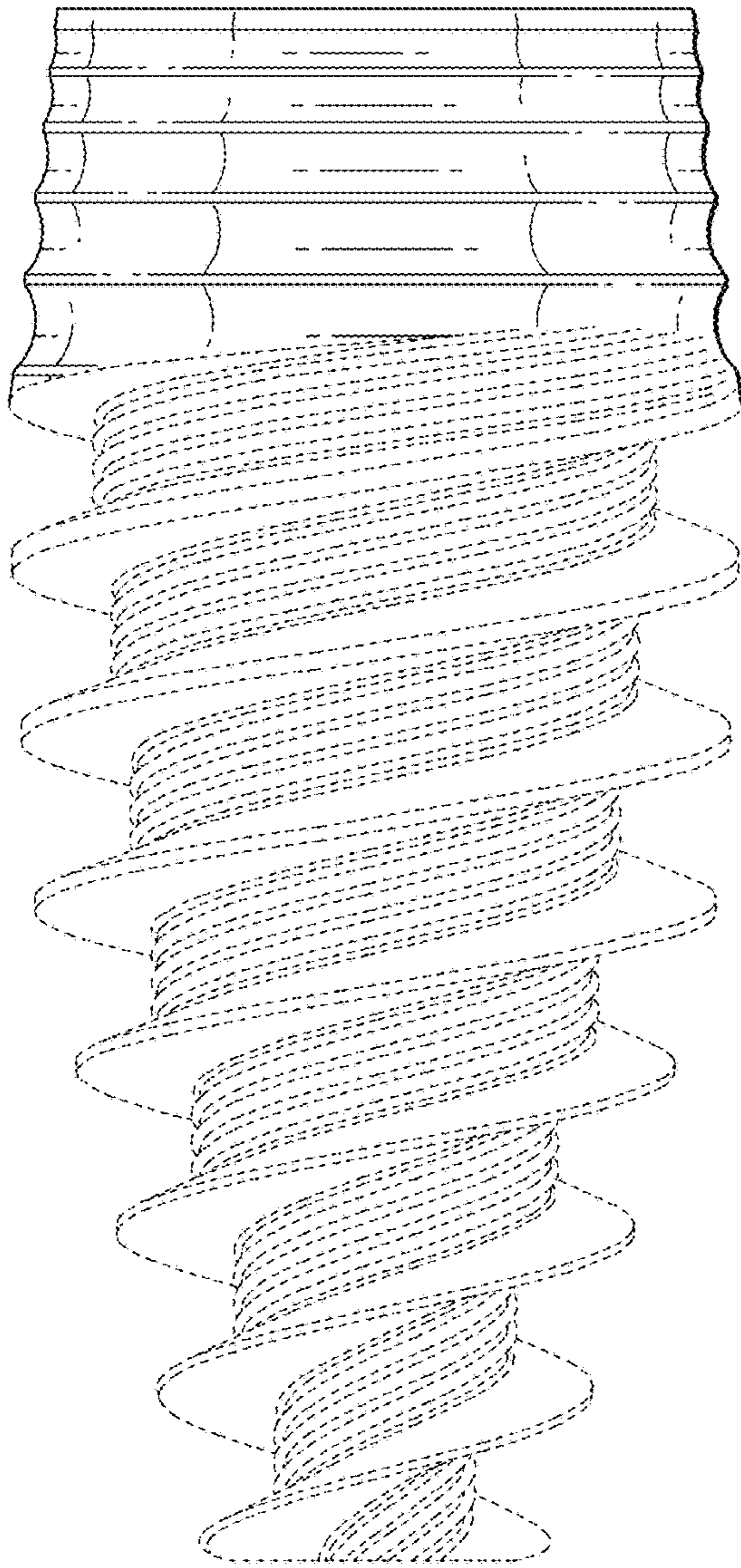


FIG. 2

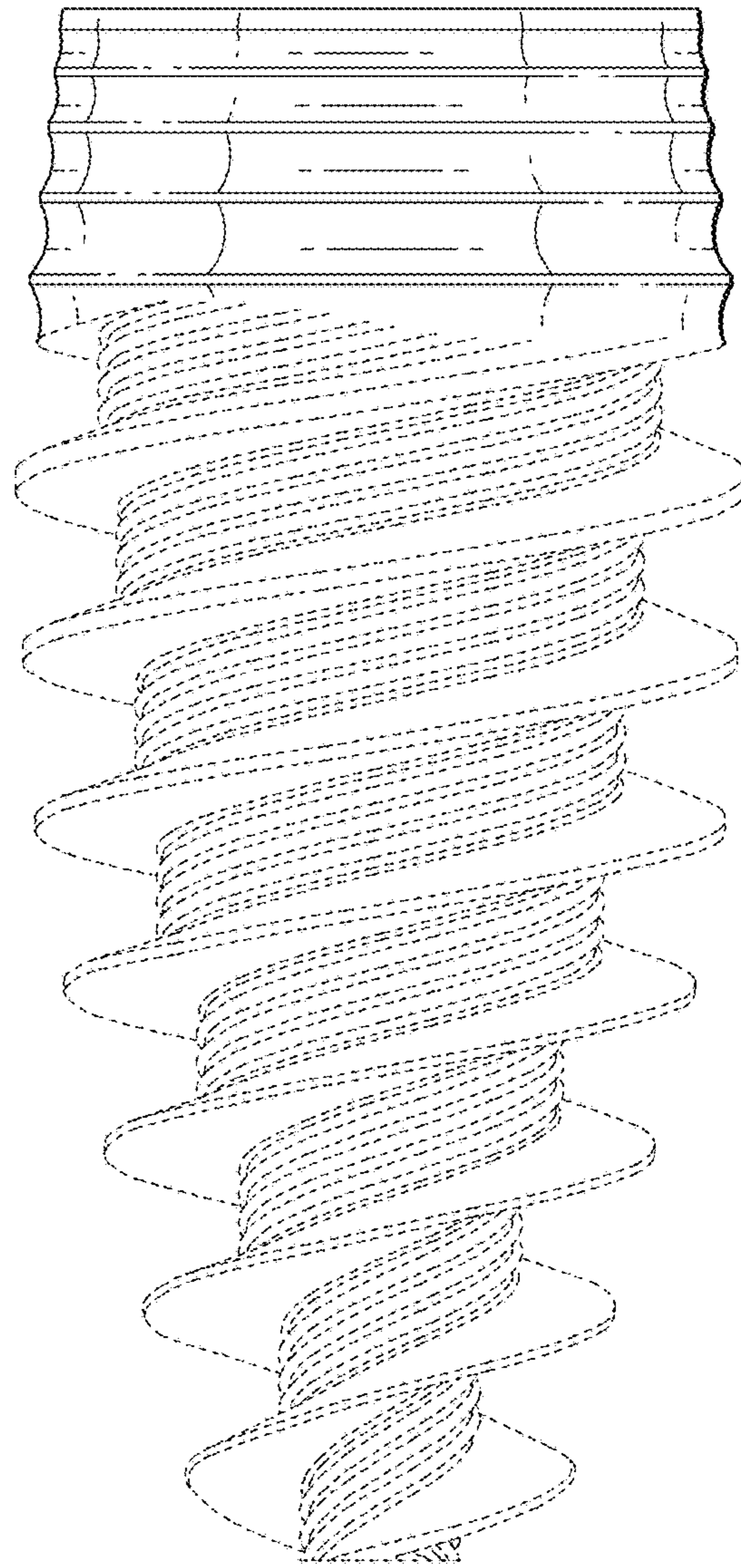


FIG. 3

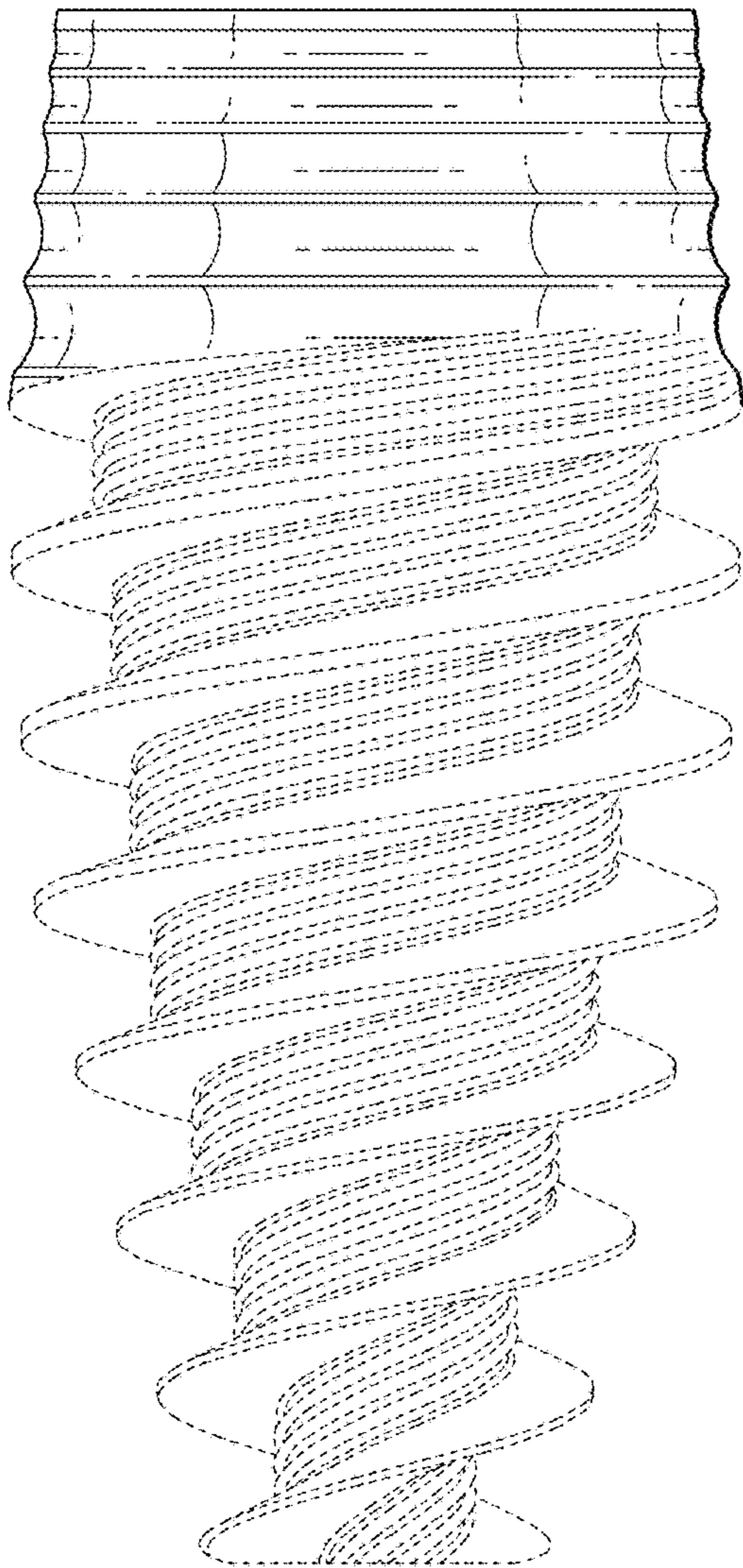


FIG. 4

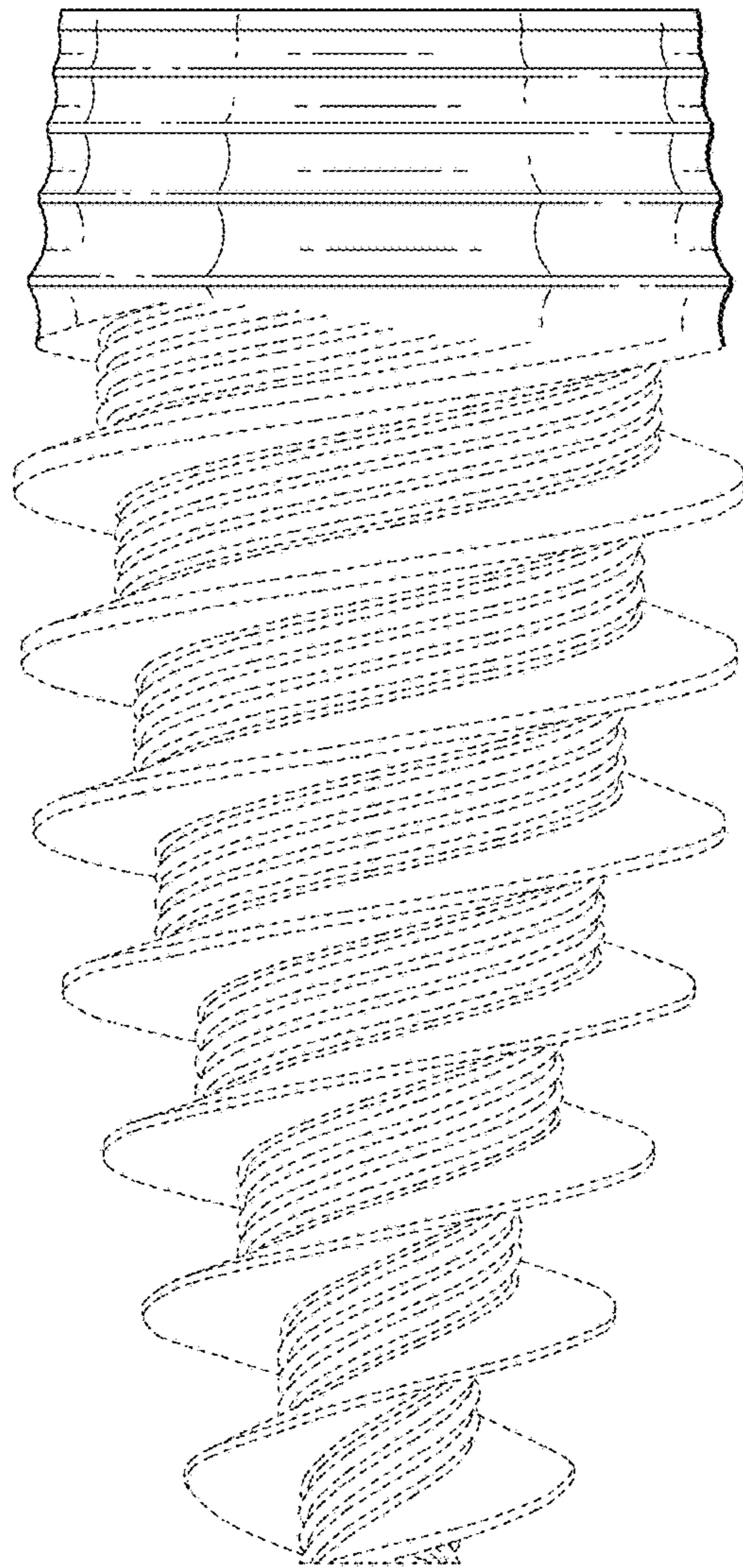


FIG. 5

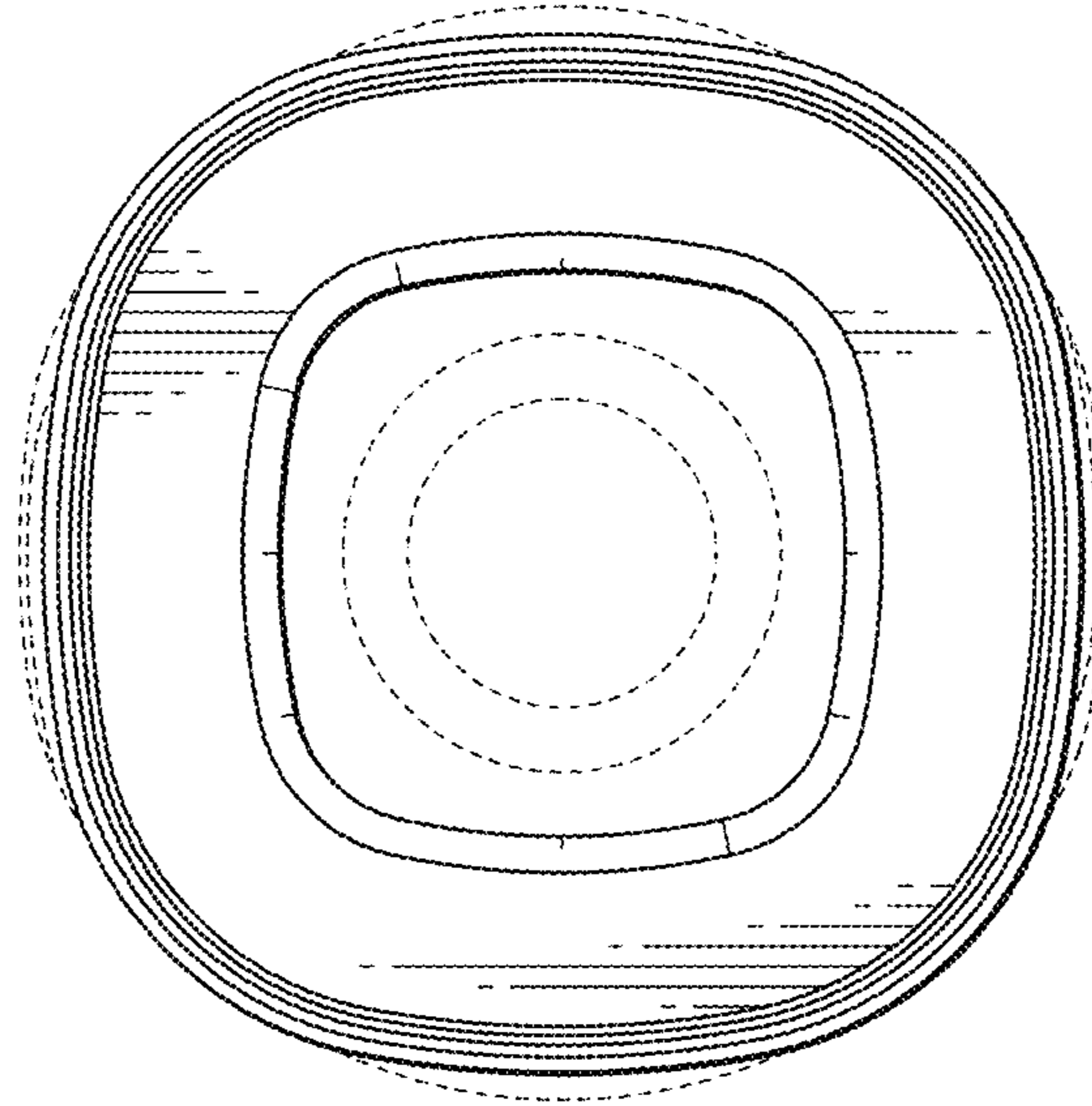


FIG. 6

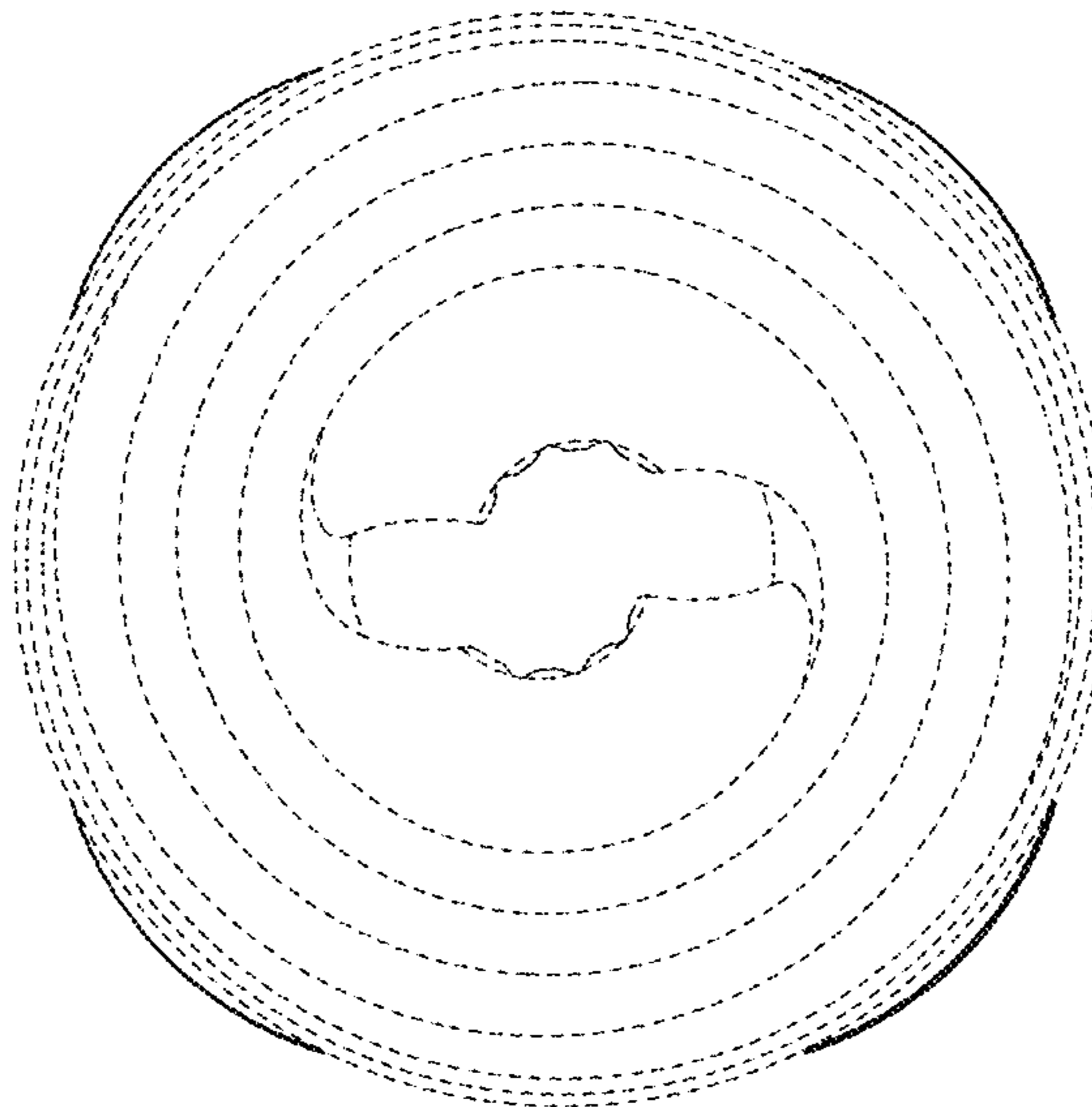


FIG. 7