



US00D783819S

(12) **United States Design Patent**
Thomé et al.

(10) **Patent No.: US D783,819 S**

(45) **Date of Patent: ** Apr. 11, 2017**

(54) **SCANBODY**

(71) Applicant: **JJGC INDÚSTRIA E COMÉRCIO DE MATERIAIS DENTÁRIOS S.A.**, Curitiba (BR)

(72) Inventors: **Geninho Thomé**, Curitiba (BR); **Thiago Vieira Thomé**, Curitiba (BR); **Felix Andreas Mertin**, Curitiba (BR)

(73) Assignee: **JJGC INDÚSTRIA E COMÉRCIO DE MATERIAIS DENTÁRIOS S.A.**, Curitiba (BR)

(**) Term: **15 Years**

(21) Appl. No.: **29/552,705**

(22) Filed: **Jan. 25, 2016**

(30) **Foreign Application Priority Data**

Jul. 31, 2015 (BR) 3020150036079

(51) **LOC (10) Cl.** **24-02**

(52) **U.S. Cl.**
USPC **D24/152**

(58) **Field of Classification Search**
USPC D24/152, 155–156, 176–177; D8/83, D8/107; 433/173
CPC A61C 8/0001; A61C 8/006; A61C 8/0066; A61C 8/0018
See application file for complete search history.

(56) **References Cited**

U.S. PATENT DOCUMENTS

6,648,643 B2 * 11/2003 Hollander A61C 8/0066 433/173
8,747,112 B2 * 6/2014 Brun A61C 8/0001 433/173
8,801,435 B2 * 8/2014 Jahn A61C 8/0001 433/173

D729,934 S * 5/2015 Futterknecht D24/152
2011/0306014 A1 * 12/2011 Conte A61C 8/0001 433/173
2012/0009545 A1 * 1/2012 Eriksson A61C 8/0001 433/196
2012/0028214 A1 * 2/2012 Futterknecht A61C 8/0001 433/74

FOREIGN PATENT DOCUMENTS

EP 2457536 A2 5/2012
KR 101452849 B1 10/2014

OTHER PUBLICATIONS

European Search Report received from EP Application Serial No. 16181809.1, dated Dec. 2, 2016 35 pages.

* cited by examiner

Primary Examiner — Wan Laymon

(74) *Attorney, Agent, or Firm* — ARC IP Law, PC; Joseph J. Mayo

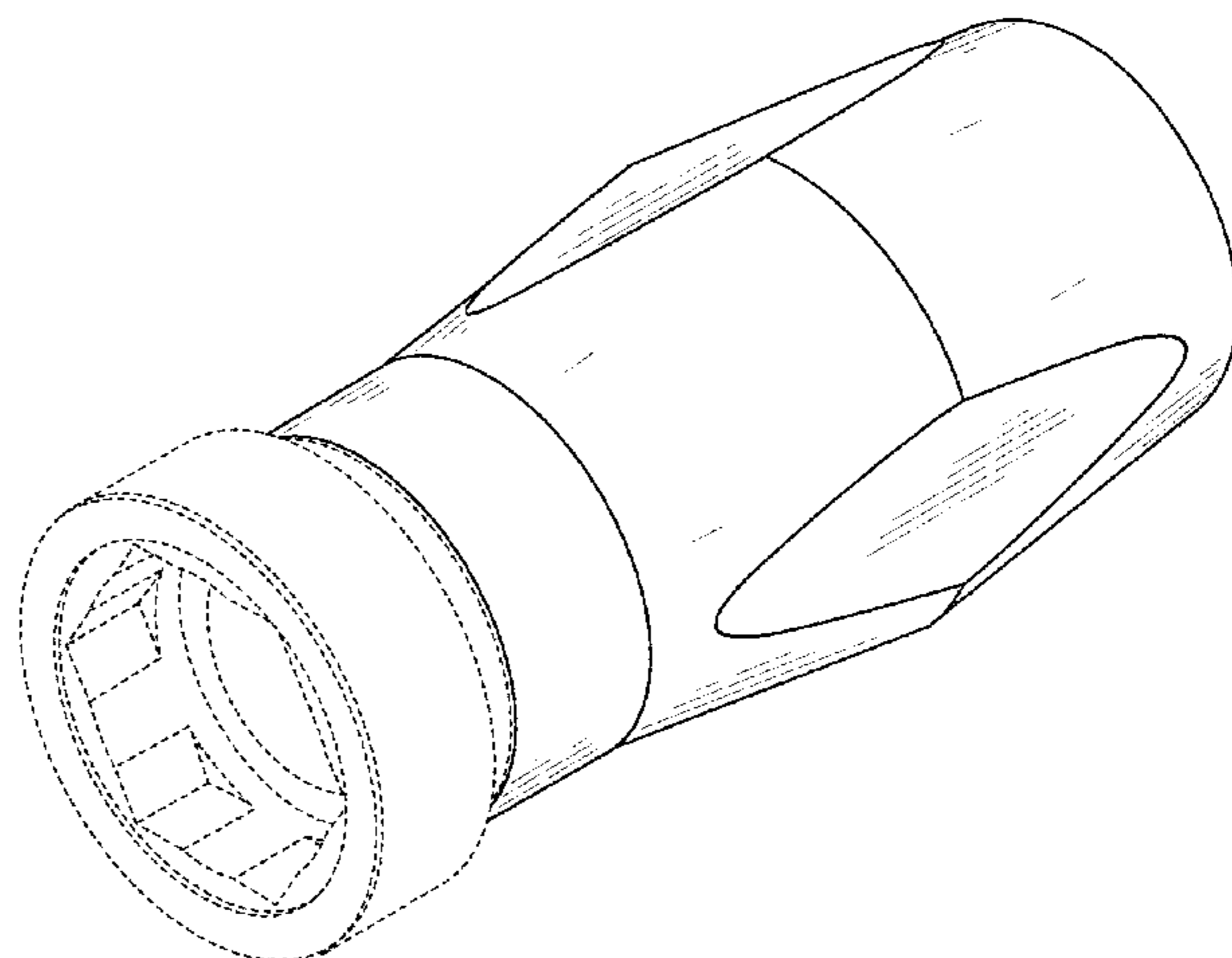
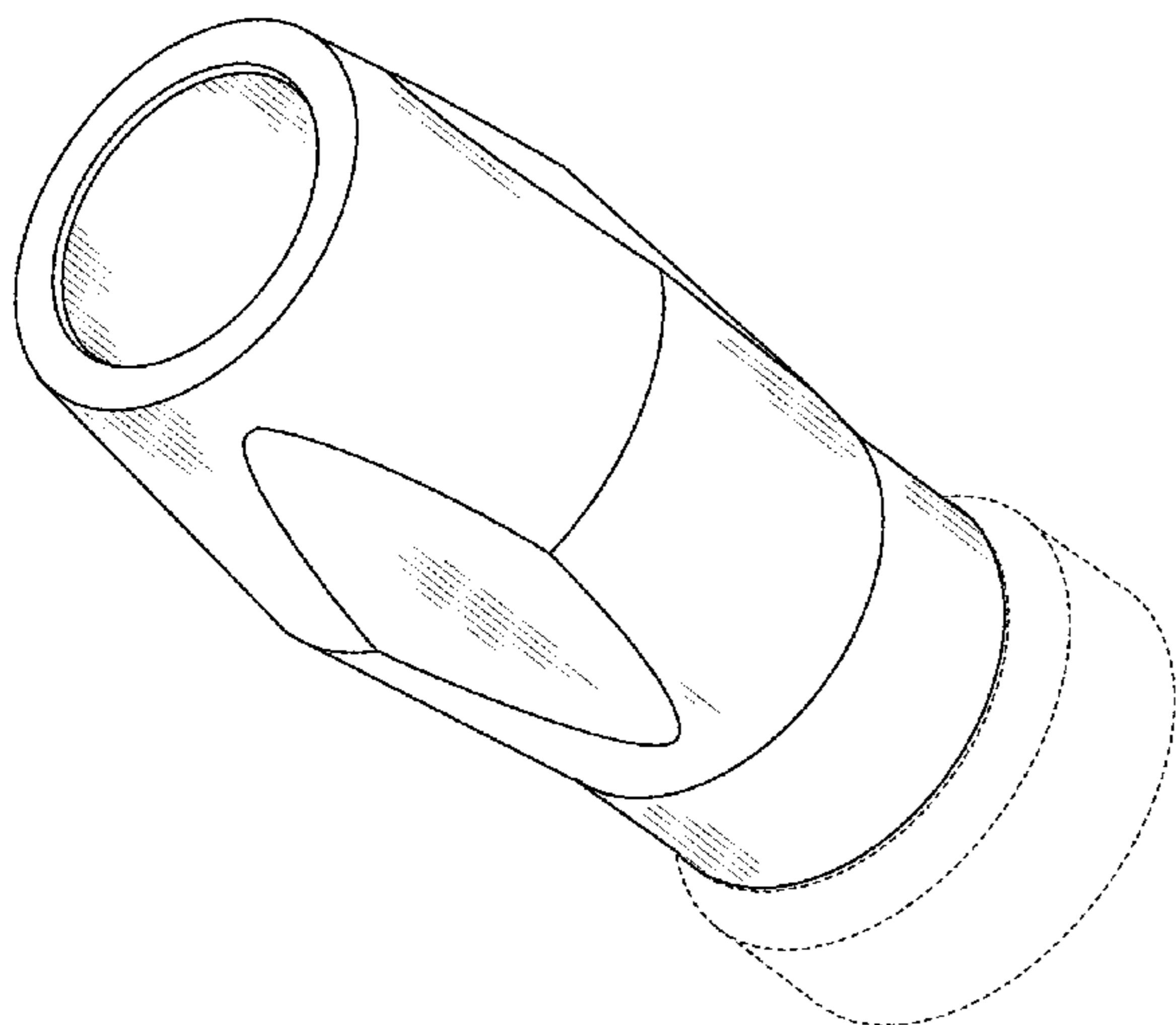
(57) **CLAIM**

The ornamental design for a scanbody, as shown and described.

DESCRIPTION

FIG. 1 is a upper perspective view of a scanbody.
FIG. 2 is a lower perspective view of the scanbody of FIG. 1.
FIG. 3 is top view of the scanbody of FIG. 1.
FIG. 4 is a bottom view of the scanbody of FIG. 1.
FIG. 5 is a left side view of the scanbody of FIG. 1.
FIG. 6 is a right side view of the scanbody of FIG. 1.
FIG. 7 is a front view of the scanbody of FIG. 1; and, FIG. 8 is a back view of the scanbody of FIG. 1.
The broken lines shown in the figures represent portions of the scanbody that form no part of the claimed design.

1 Claim, 8 Drawing Sheets



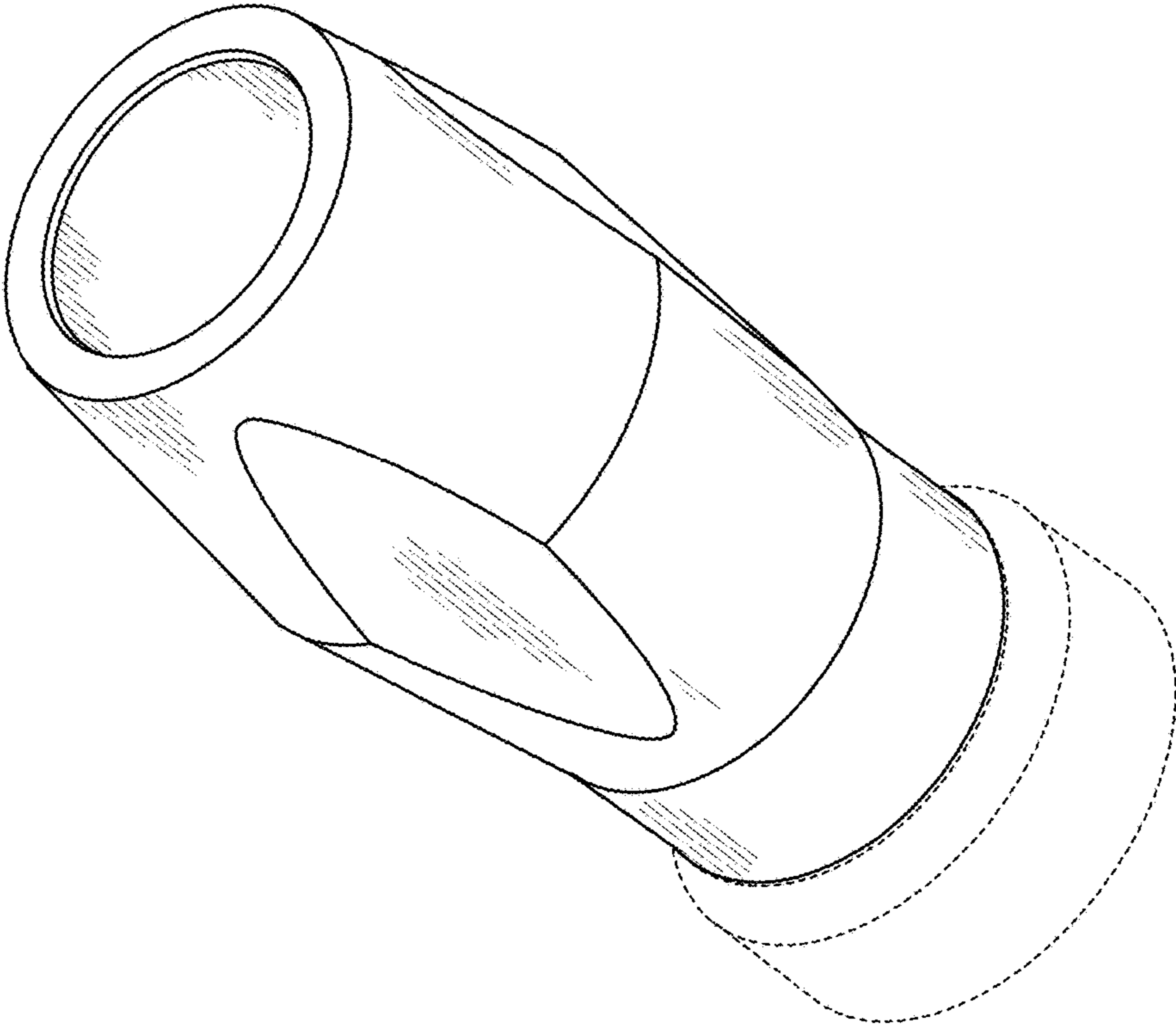


FIG. 1

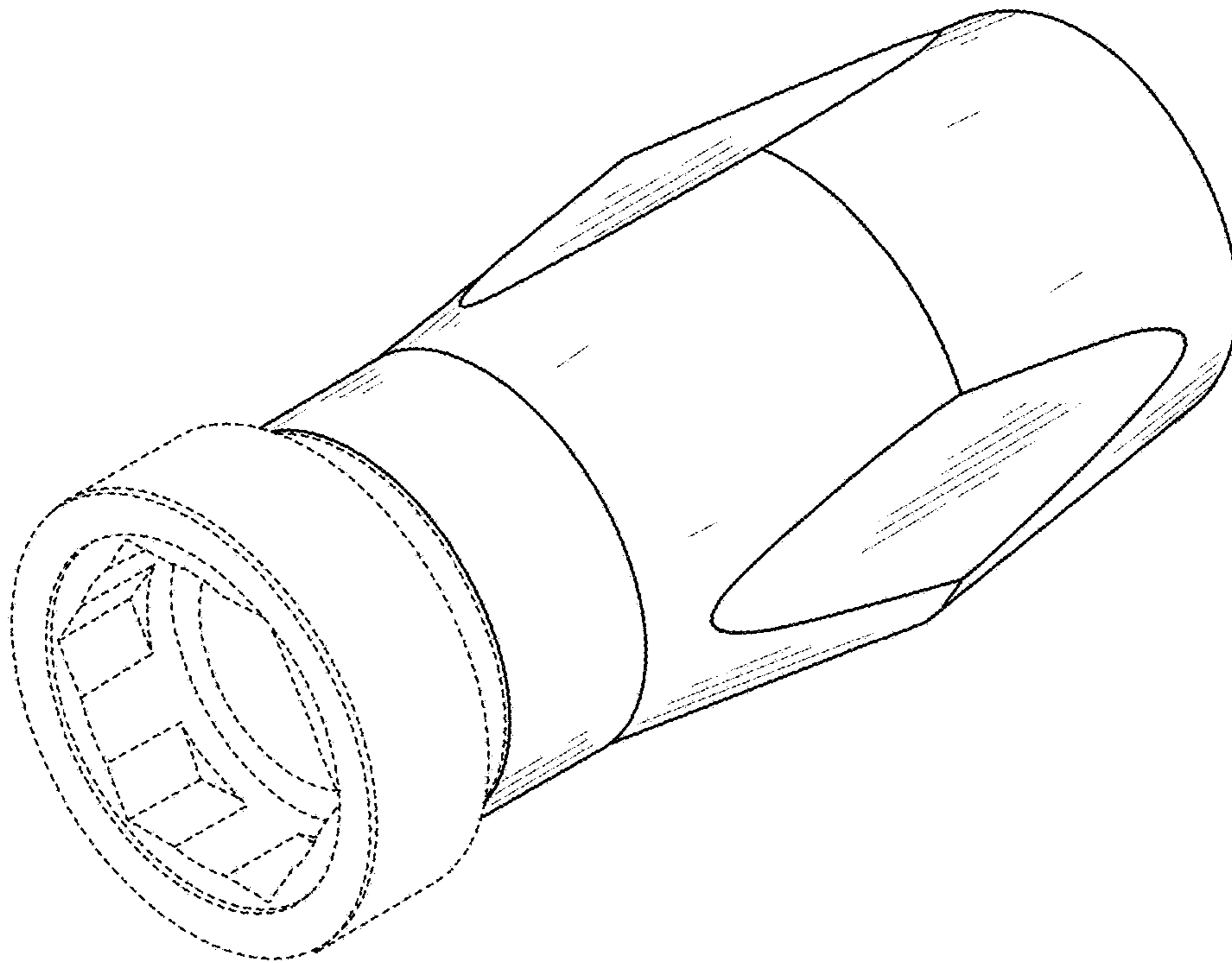


FIG. 2

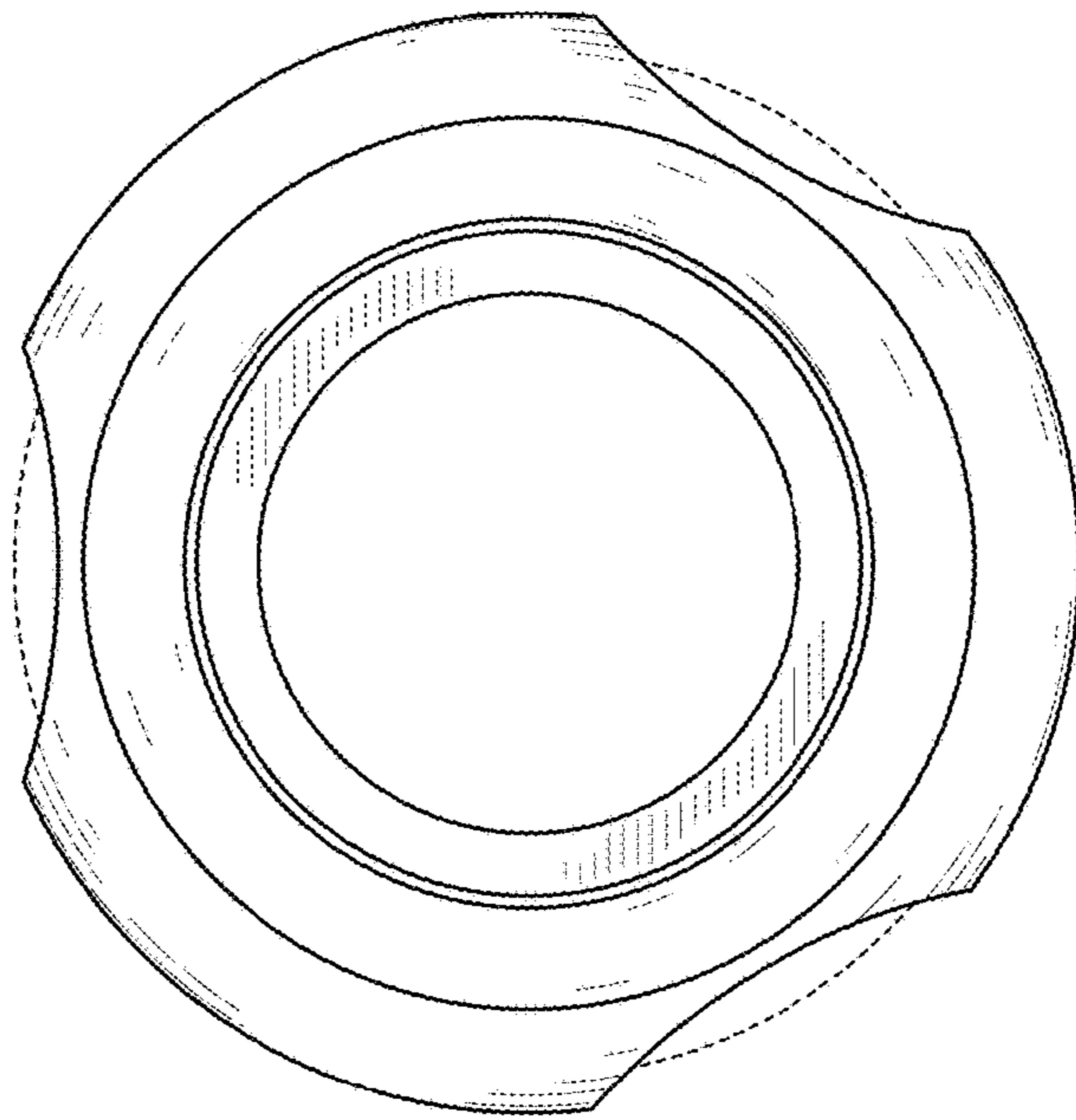


FIG. 3

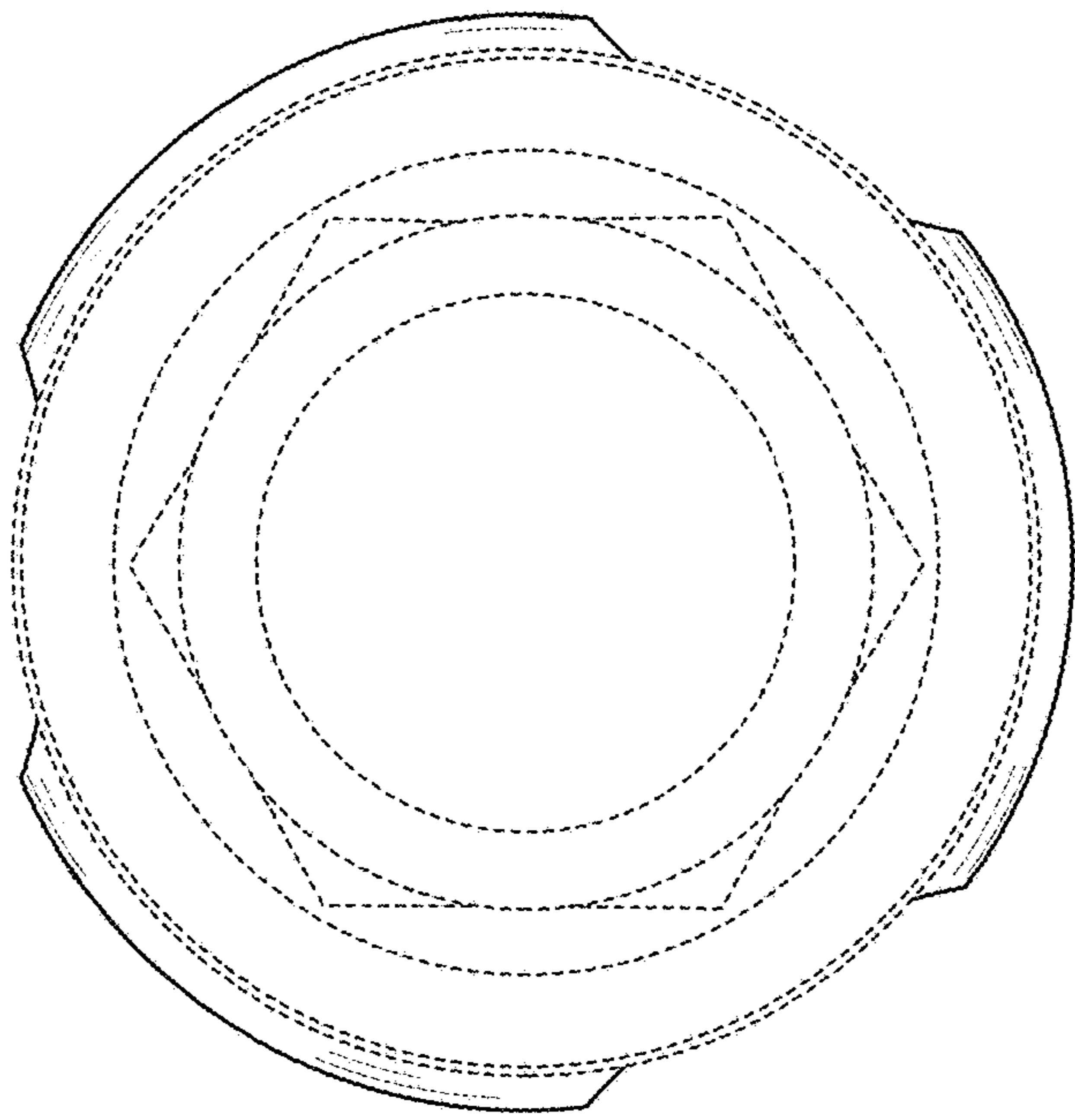


FIG. 4

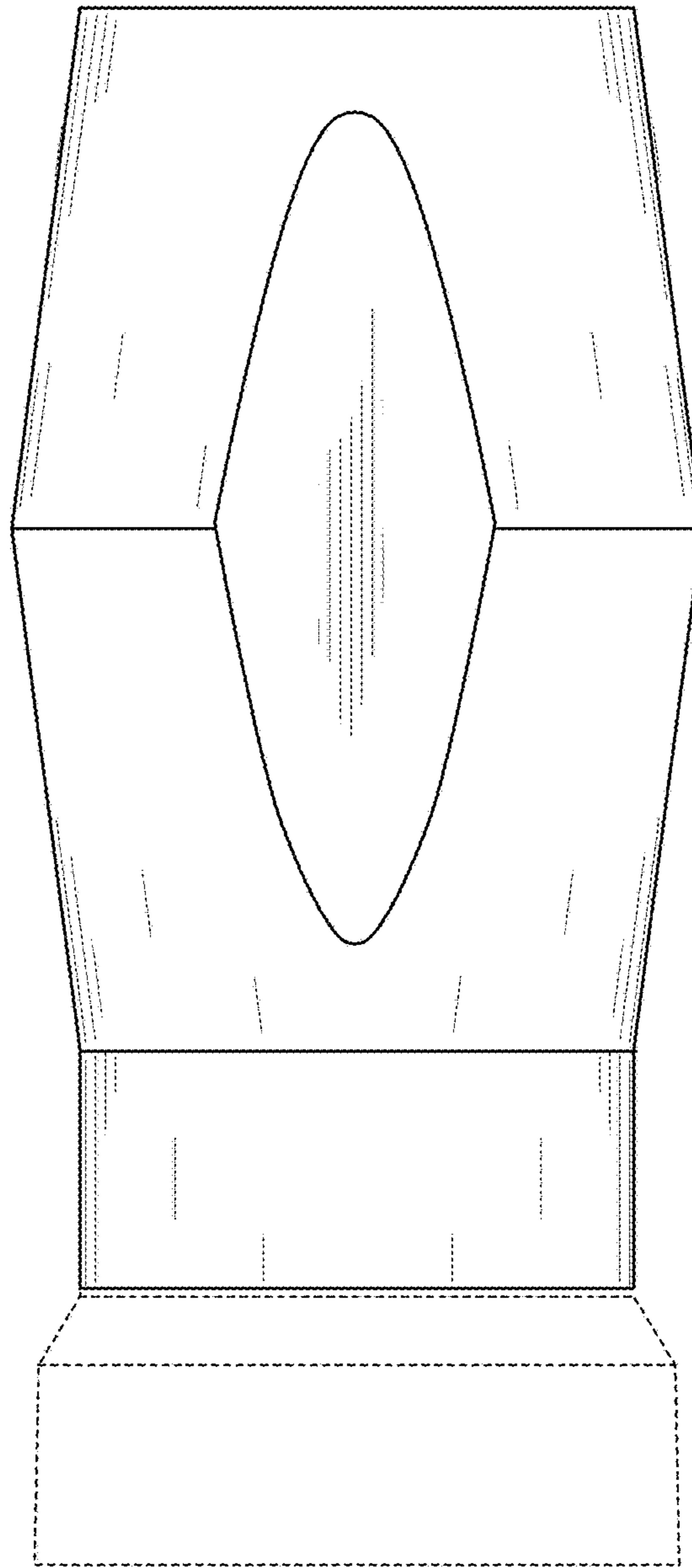


FIG. 5

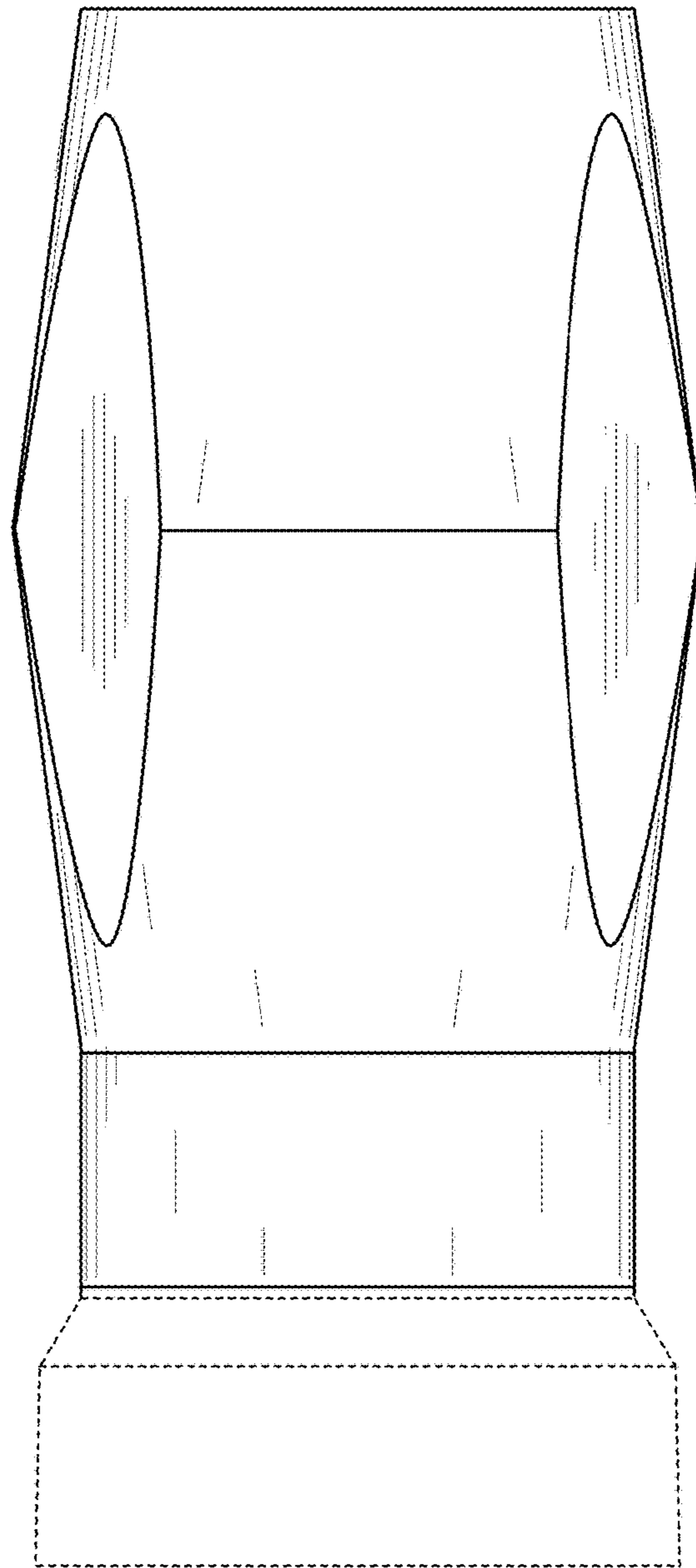


FIG. 6

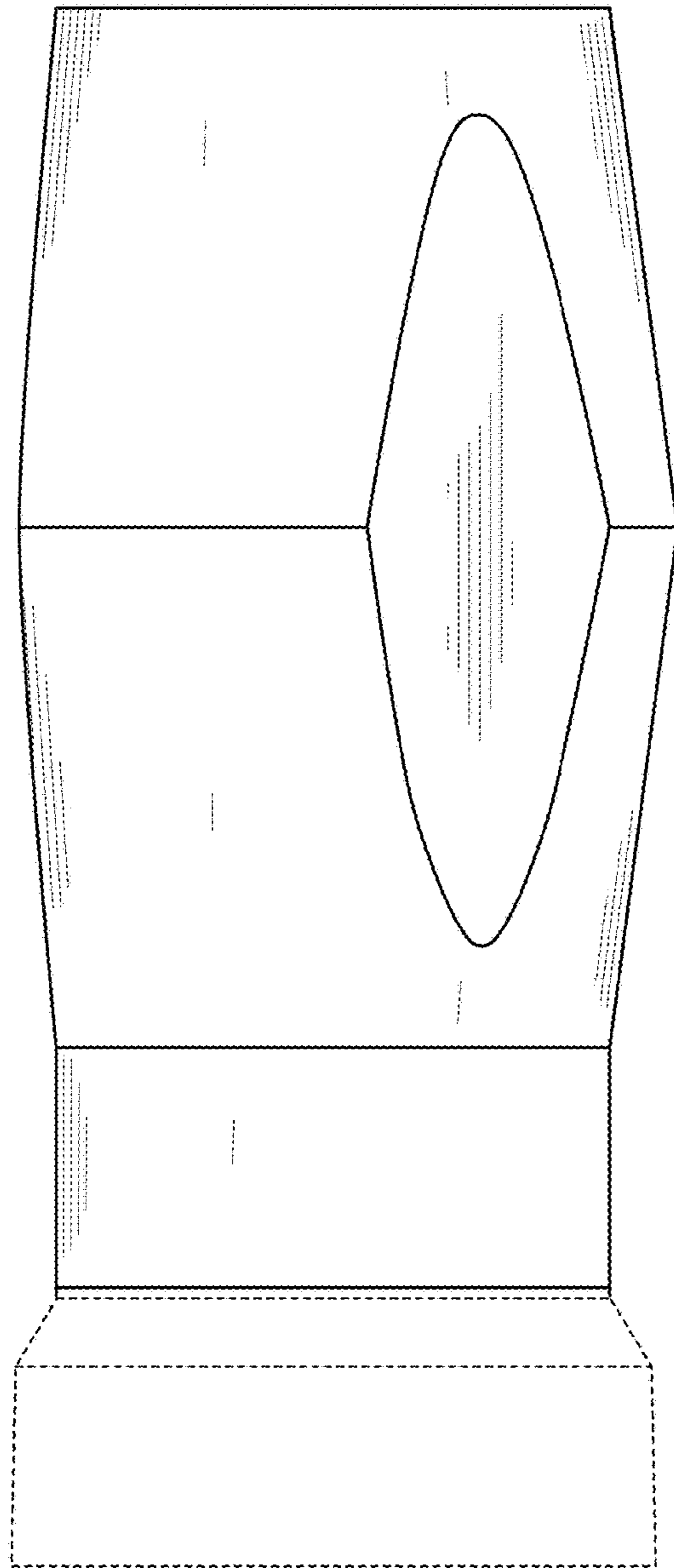


FIG. 7

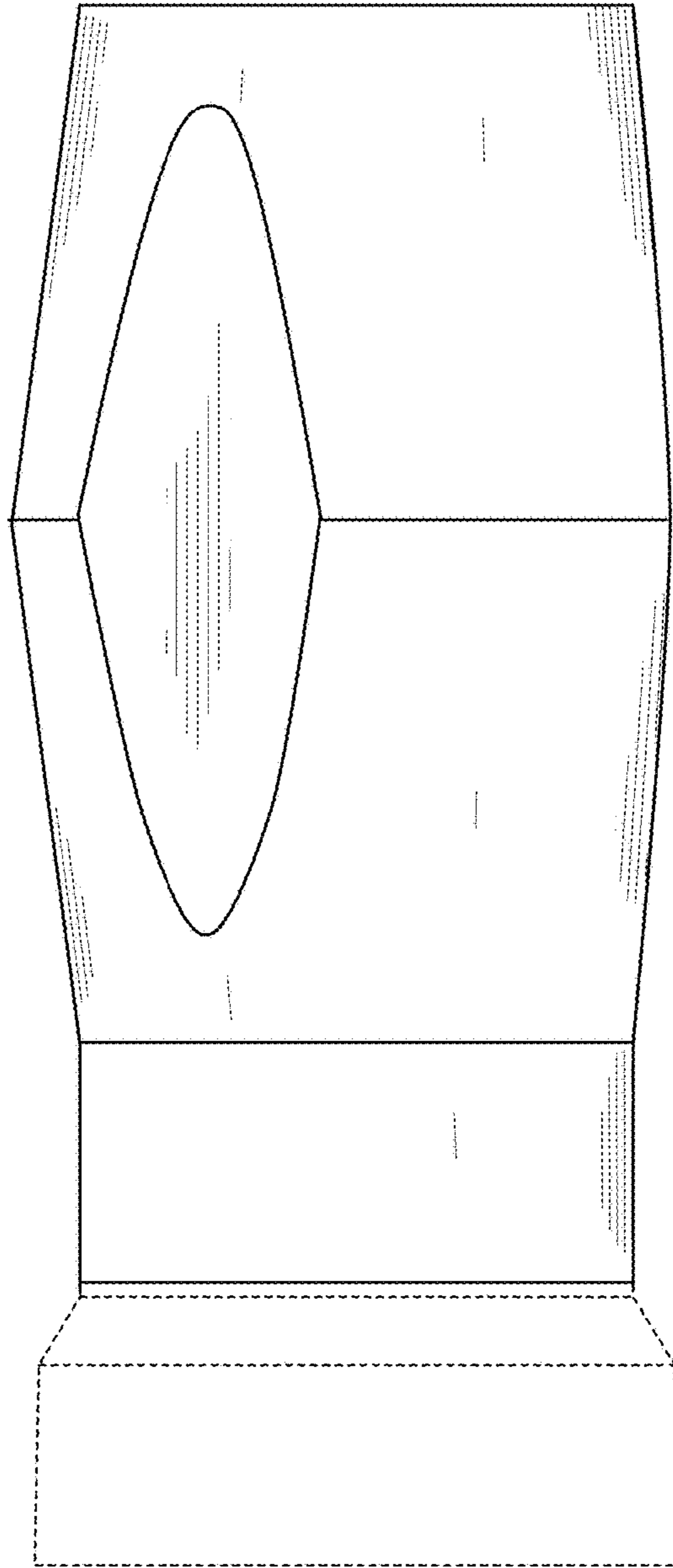


FIG. 8