



US00D783816S

(12) **United States Design Patent** (10) **Patent No.:** **US D783,816 S**
Wohlfahrt et al. (45) **Date of Patent:** **** Apr. 11, 2017**

(54) **AUTOINJECTOR CAP**
(71) Applicant: **Sanofi-Aventis Deutschland GmbH**,
Frankfurt (DE)
(72) Inventors: **Tobias Wohlfahrt**, Munich (DE);
Christian Rogge, Munich (DE)
(73) Assignee: **Sanofi-Aventis Deutschland GMBH**,
Frankfurt am Main (DE)

D616,089 S * 5/2010 Van der Stappen D24/113
D623,738 S * 9/2010 Van der Stappen D24/130
D627,061 S 11/2010 Van der Stappen
D629,895 S * 12/2010 Demleitner D24/133
D665,497 S * 8/2012 Marshall D24/130
8,298,194 B2 10/2012 Moller
D676,552 S * 2/2013 McLoughlin D24/130
D683,016 S 5/2013 Mirza
D687,543 S 8/2013 Pala
D688,796 S * 8/2013 Niunoya D24/127
D696,773 S 12/2013 Schneider
D696,774 S 12/2013 Guarraia

(Continued)

(**) Term: **14 Years**

(21) Appl. No.: **29/520,125**

(22) Filed: **Mar. 11, 2015**

(30) **Foreign Application Priority Data**

Jan. 7, 2015 (EM) 002609784-0021
Jan. 7, 2015 (EM) 002609784-0024

(51) **LOC (10) Cl.** **24-02**

(52) **U.S. Cl.**
USPC **D24/130**

(58) **Field of Classification Search**
USPC D24/127-131, 112-114, 133, 186;
606/181, 185; 604/264, 523-528, 272,
604/187, 158, 164.01-164.11, 181, 184,
604/227; 600/101, 139, 143; 128/200.24,
128/207.14, 207.15
CPC A61M 5/178; A61M 3/00; A61M 5/20;
A61M 5/31; A61M 5/3146; A61M
5/3129; A61M 5/3148; A61M 5/315
See application file for complete search history.

(56) **References Cited**

U.S. PATENT DOCUMENTS

D484,977 S 1/2004 Ryan
D568,468 S * 5/2008 Sudo D24/130
D581,046 S * 11/2008 Sudo D24/130

OTHER PUBLICATIONS

Examination Report in NZ Application No. 420861, dated Nov. 10, 2015, 2 pages.

(Continued)

Primary Examiner — David Muller
Assistant Examiner — Nathan Johnston
(74) *Attorney, Agent, or Firm* — Fish & Richardson P.C.

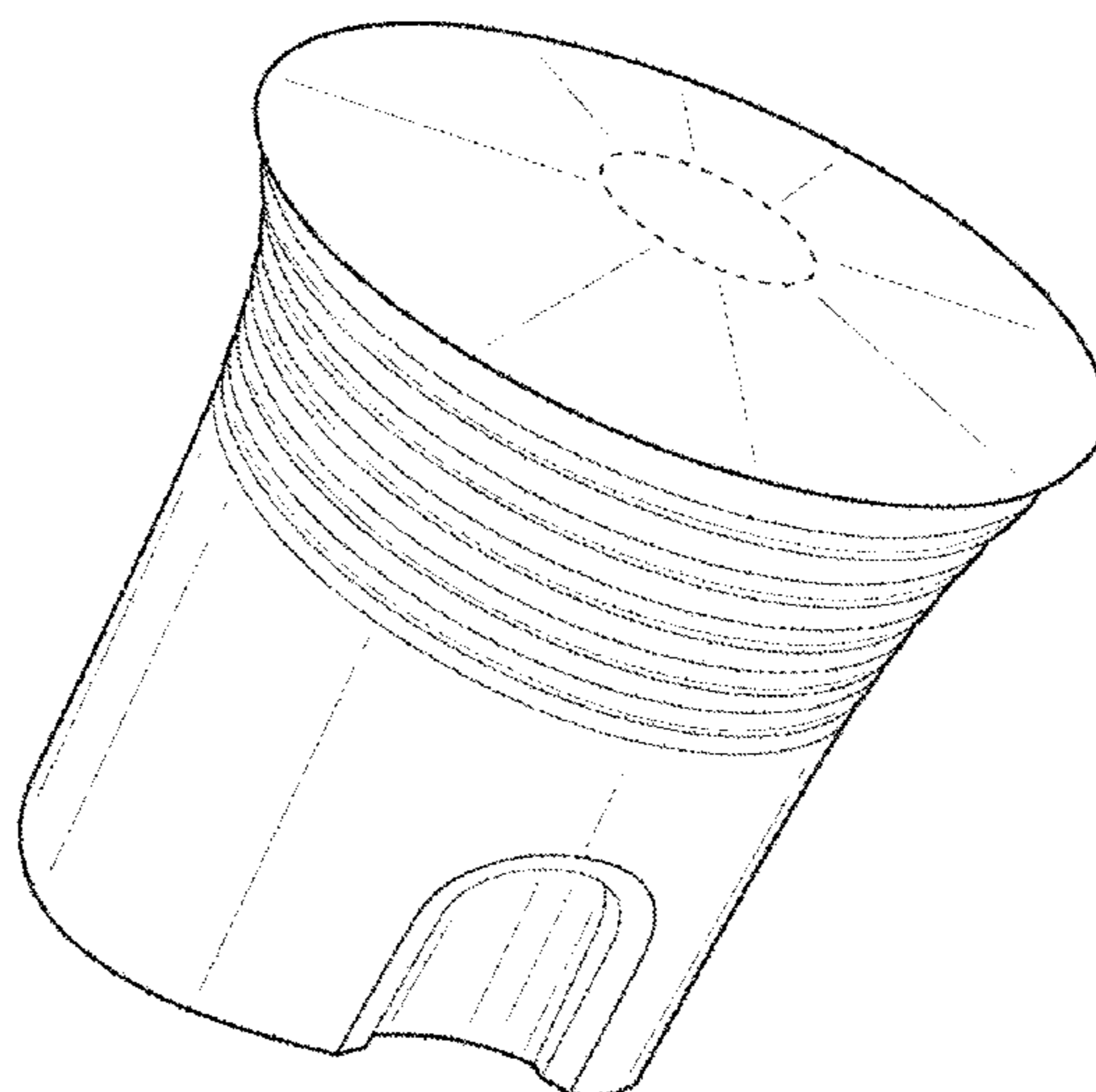
(57) **CLAIM**

The ornamental design for an autoinjector cap, as shown and described.

DESCRIPTION

FIG. 1 is a front top left perspective view of an autoinjector cap showing our new design;
FIG. 2 is a front elevation view thereof;
FIG. 3 is a rear elevation view thereof;
FIG. 4 is a left side view thereof;
FIG. 5 is a right side view thereof;
FIG. 6 is a top plan view thereof; and,
FIG. 7 is a bottom plan view thereof.
The broken lines of even length shown in the drawings illustrate portions of the autoinjector cap that forms no part of the claimed design.

1 Claim, 7 Drawing Sheets



(56)

References Cited

U.S. PATENT DOCUMENTS

D696,775	S	12/2013	Guarraia	
D697,205	S	1/2014	Schneider	
8,740,860	B2	6/2014	Theucher	
D708,317	S	7/2014	Schneider	
D714,932	S	10/2014	Hall	
D728,782	S	5/2015	Dubuc	
D732,161	S	6/2015	Ohashi	
D732,661	S	6/2015	Dubuc	
D733,869	S *	7/2015	Ratjen	D24/113
D737,430	S *	8/2015	Wargner	D24/112
D739,011	S	9/2015	Morrison, Jr.	
D739,932	S *	9/2015	Ratjen	D24/113
D743,539	S	11/2015	Chung	
D745,664	S	12/2015	Pocock	
D750,779	S *	3/2016	Ahluwalia	D24/133
D751,192	S *	3/2016	She	D24/127

OTHER PUBLICATIONS

Screenshots relating to "Auto Injector citations by SHL Group,"
publically visible from Dec. 30, 2014, 4 pages.

* cited by examiner

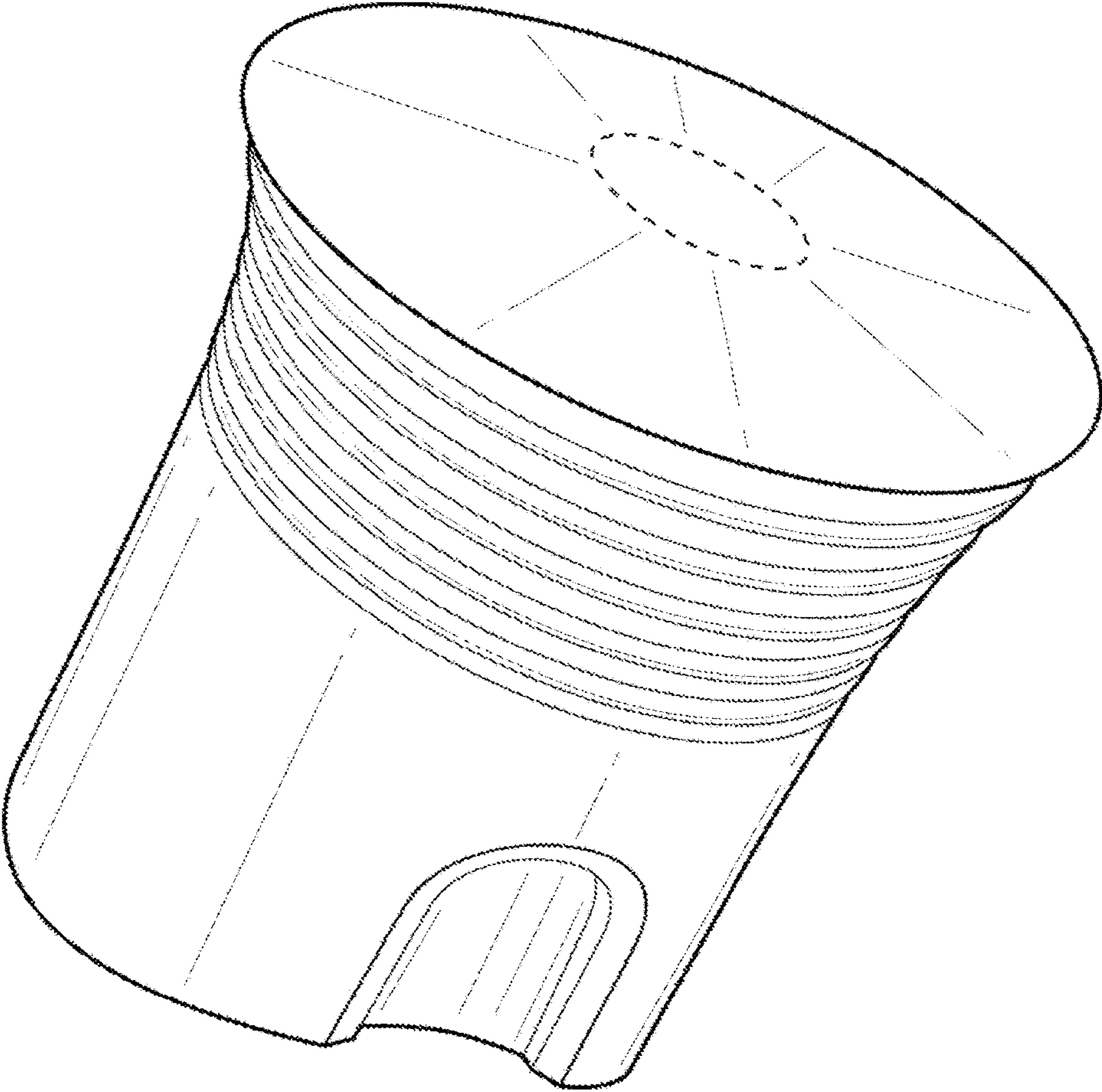


FIG. 1

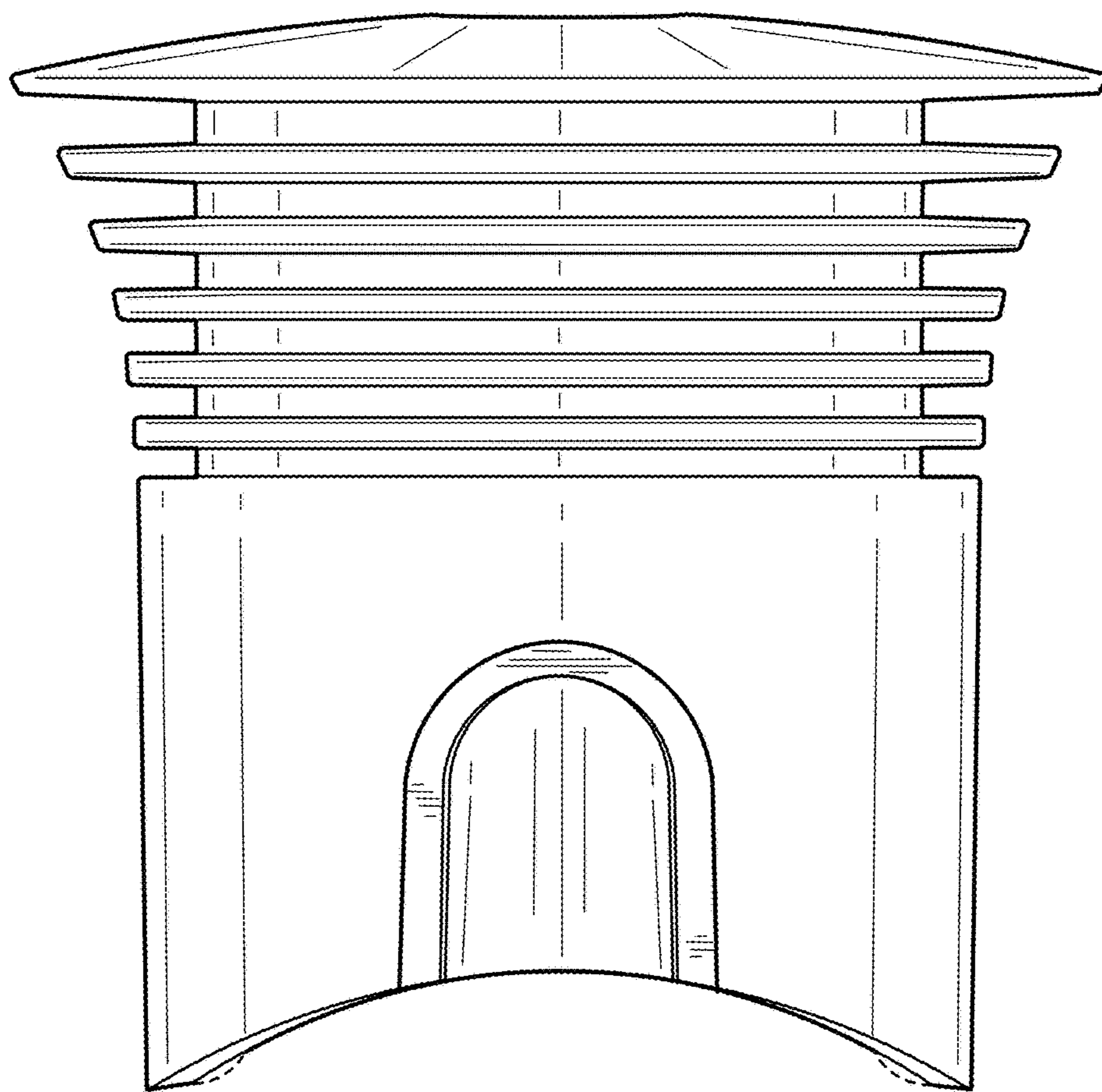


FIG. 2

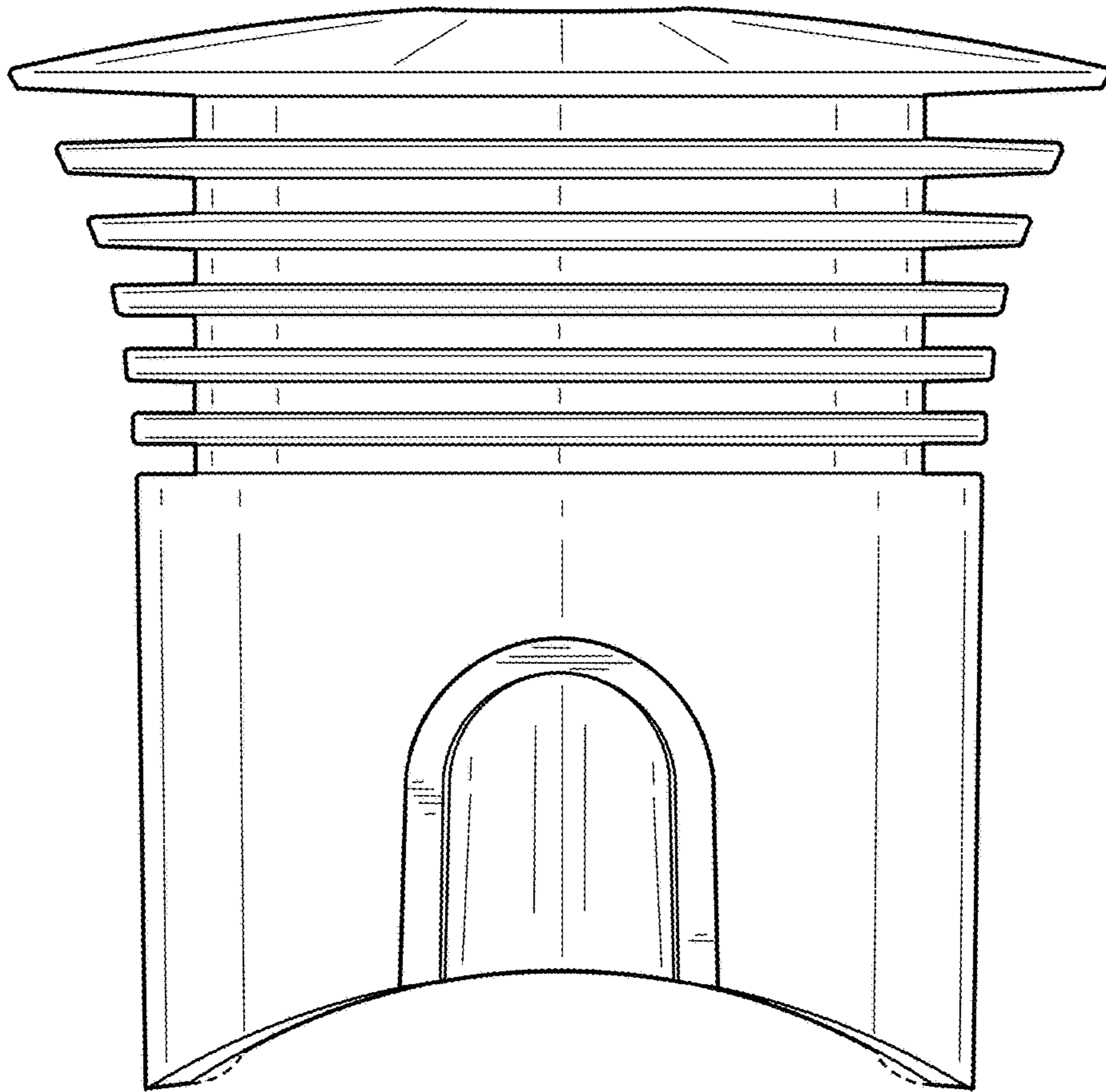


FIG. 3

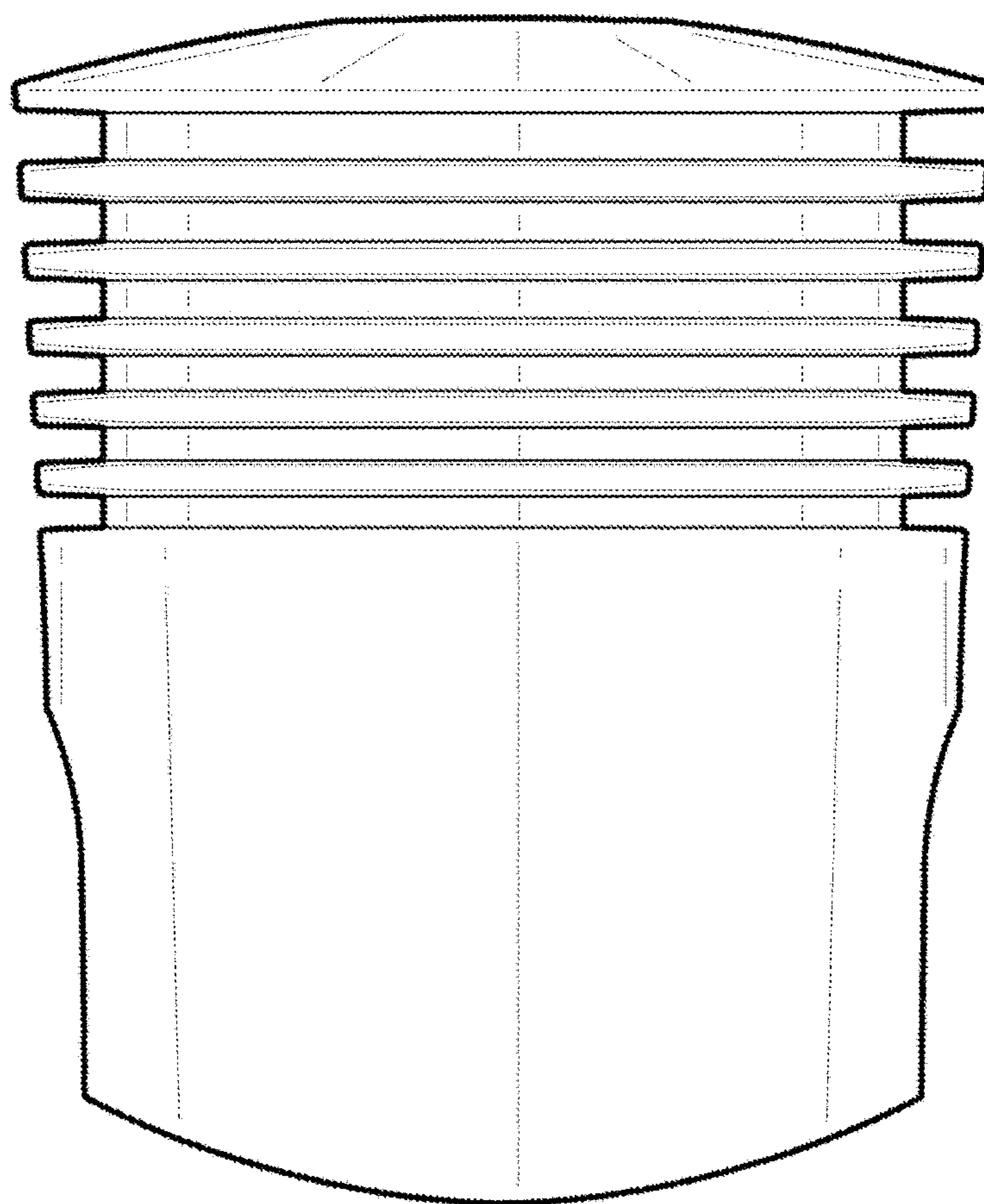


FIG. 4

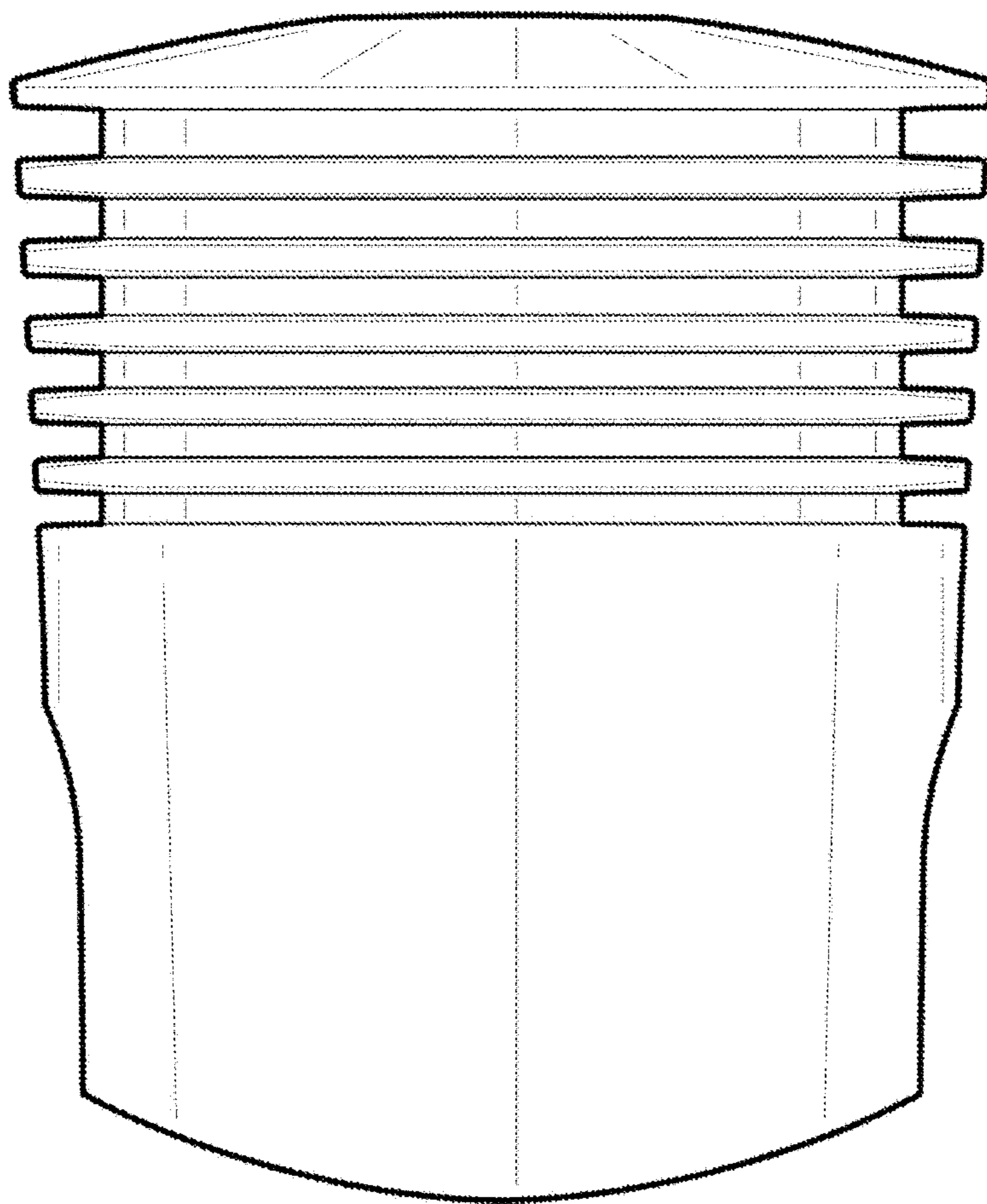


FIG. 5

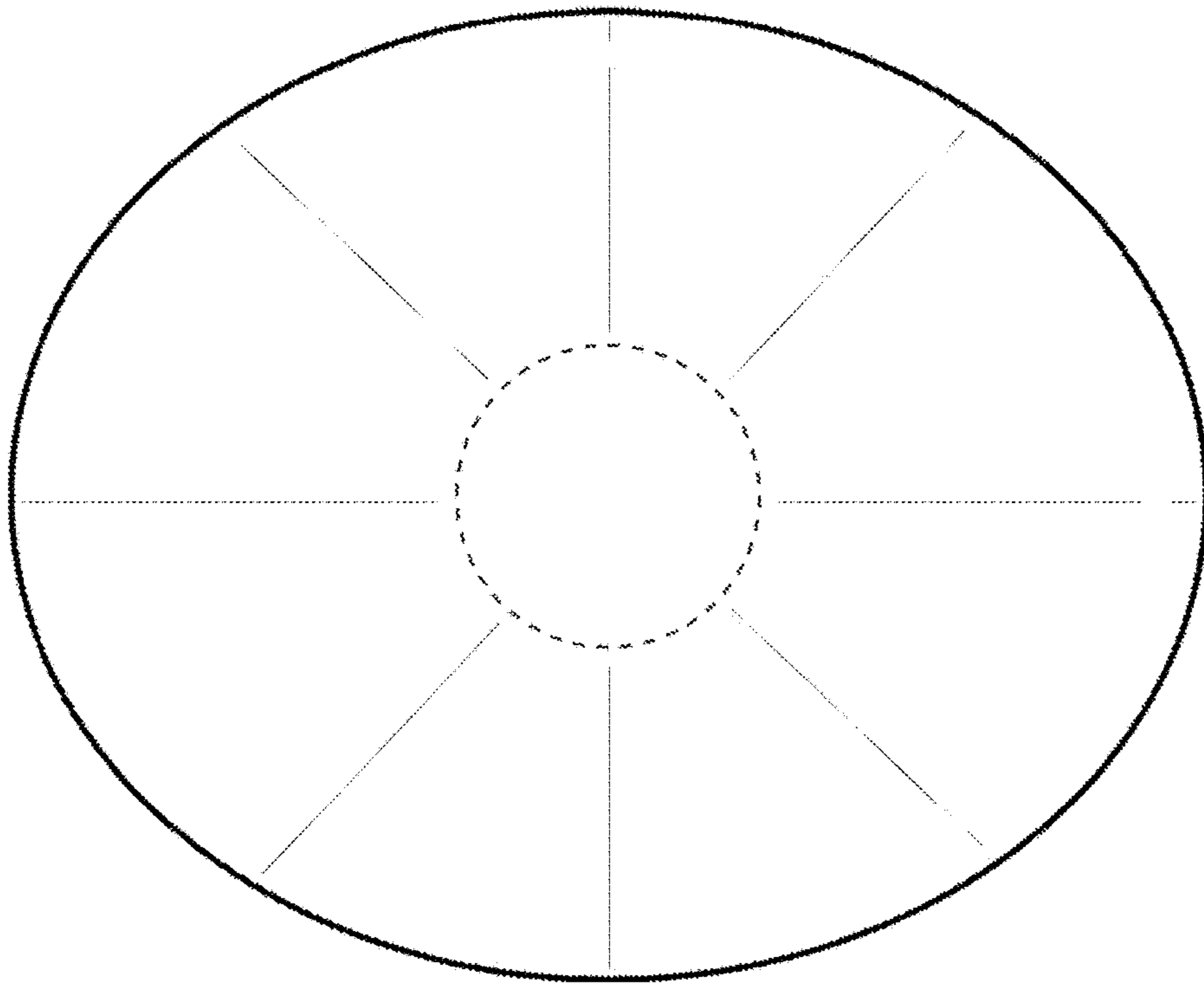


FIG. 6

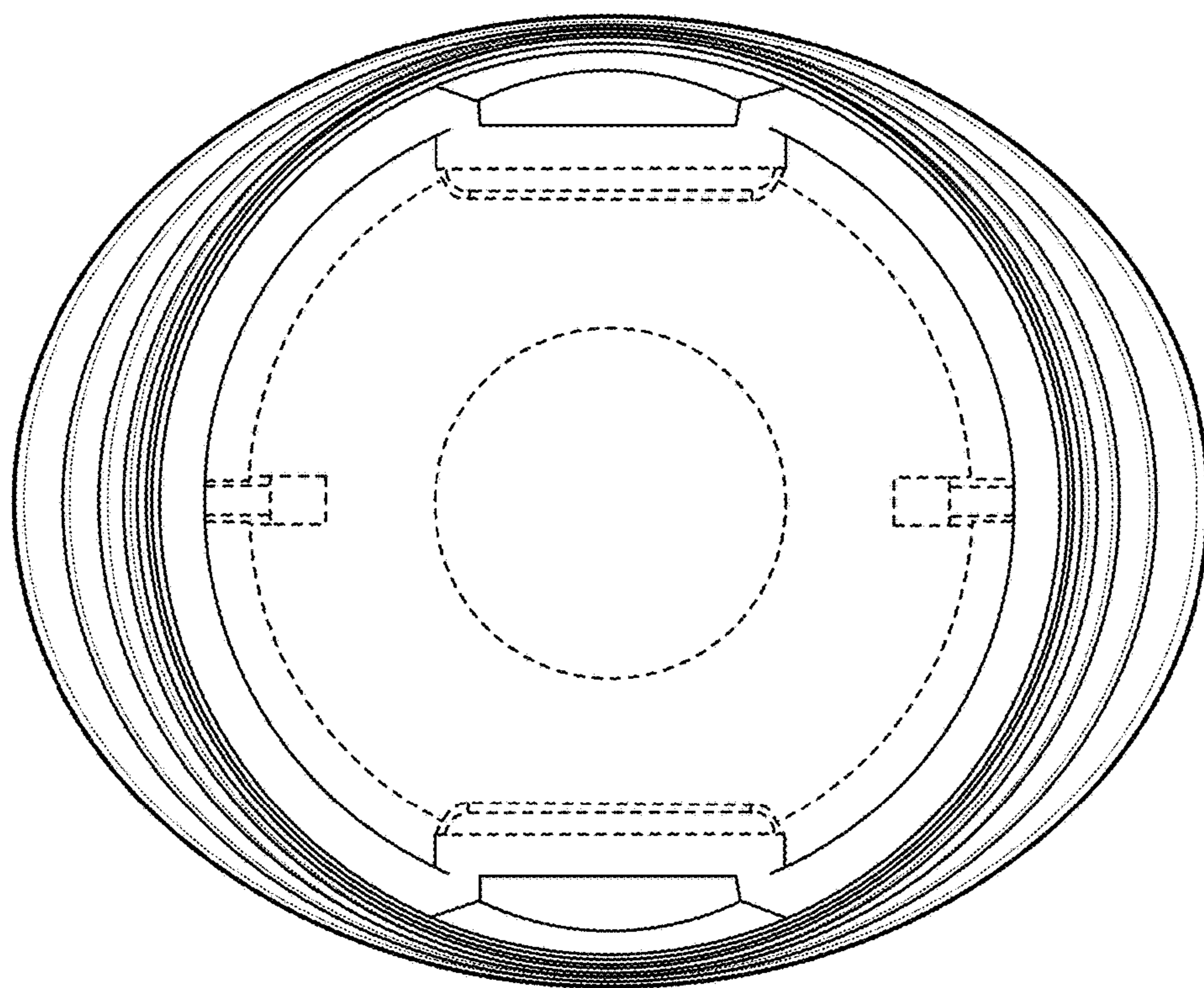


FIG. 7