



US00D783811S

(12) **United States Design Patent** (10) **Patent No.:** **US D783,811 S**
Plumley (45) **Date of Patent:** **** Apr. 11, 2017**

(54) **SANITARY PAD TRIM**
(71) Applicant: **Lisa Plumley**, Arleta, CA (US)
(72) Inventor: **Lisa Plumley**, Arleta, CA (US)
(**) Term: **15 Years**
(21) Appl. No.: **29/536,283**
(22) Filed: **Aug. 14, 2015**
(51) **LOC (10) Cl.** **24-04**
(52) **U.S. Cl.**
USPC **D24/125**
(58) **Field of Classification Search**
USPC D24/124-126; 604/347, 348, 354,
604/358-361, 378, 385.01, 385.201,
604/385.22, 385.24, 385.25; D5/21, 25,
D5/29, 35, 37, 39, 53, 59, 60, 61
See application file for complete search history.

D585,984 S * 2/2009 Cardin D24/124
D607,560 S * 1/2010 Bruzadin D24/124
D612,491 S * 3/2010 Sullivan Conrad D24/124
D678,518 S * 3/2013 Marcelo D24/125
2003/0091983 A1* 5/2003 Seiffert C07K 14/4711
435/4
2003/0114818 A1* 6/2003 Benecke A61F 13/505
604/378
2004/0015145 A1* 1/2004 Miura A61F 13/4755
604/367
2005/0261652 A1* 11/2005 Digiacomantonio . A61F 13/472
604/385.03

* cited by examiner

Primary Examiner — Ian Simmons
Assistant Examiner — Samantha Q Lawrence
(74) *Attorney, Agent, or Firm* — Myers Berstein LLP

(57) **CLAIM**

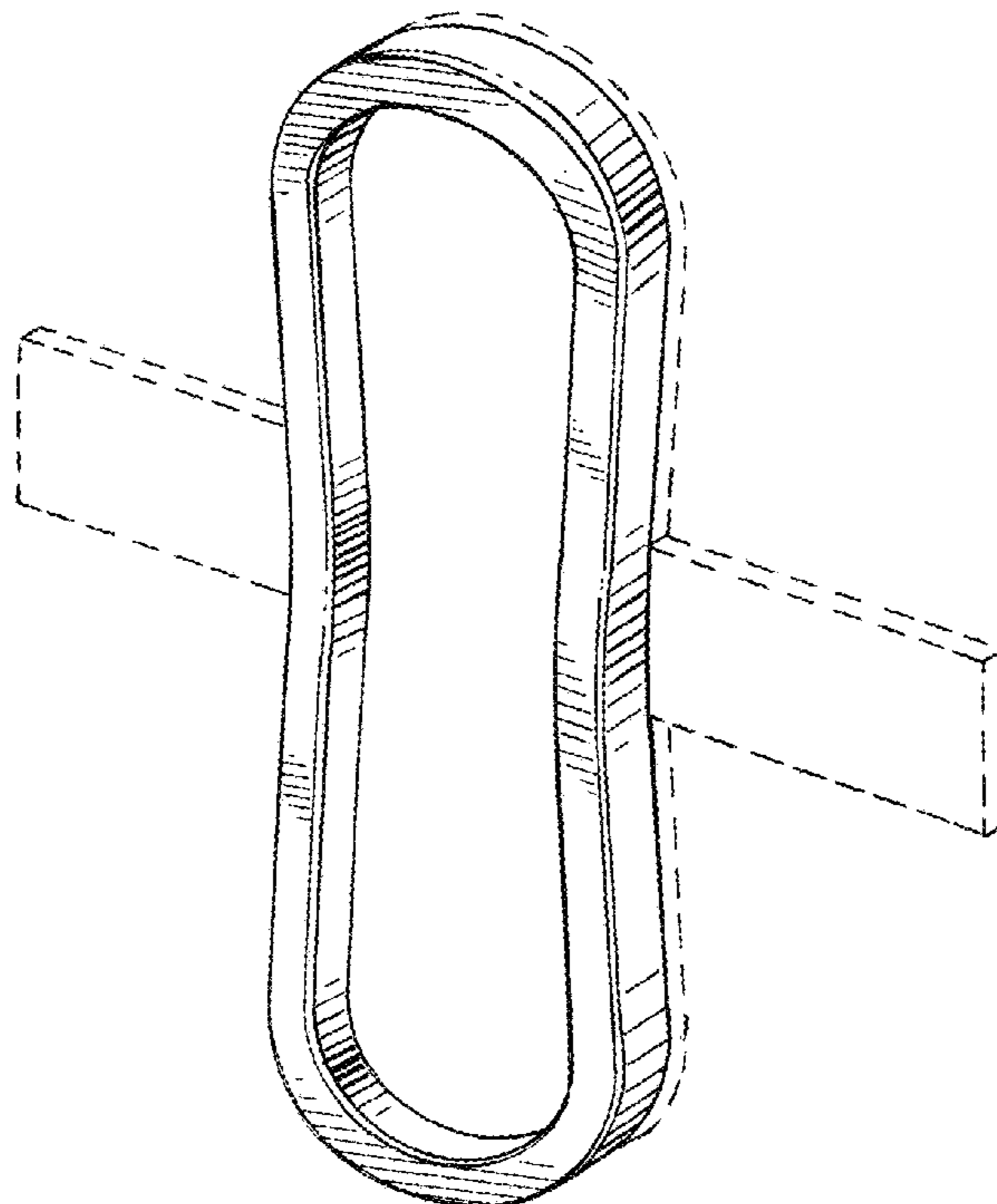
The ornamental design for a sanitary pad trim, as shown and described.

DESCRIPTION

FIG. 1 is a perspective view of a sanitary pad trim;
FIG. 2 is a rear view thereof;
FIG. 3 is a top plan view thereof;
FIG. 4 is a front view thereof;
FIG. 5 is a left side view thereof;
FIG. 6 is a right side view thereof; and,
FIG. 7 is a cross-section view thereof taken along line 7-7
of FIG. 3.
The broken lines shown in FIGS. 1-7 illustrate environment
and form no part of the claimed design.

1 Claim, 2 Drawing Sheets

(56) **References Cited**
U.S. PATENT DOCUMENTS
3,712,271 A * 1/1973 Greathouse A61N 5/06
119/770
4,700,981 A * 10/1987 Seyler B21D 39/20
156/295
5,224,013 A * 6/1993 Pagliuca H01T 4/06
337/32
5,568,006 A * 10/1996 Luff H03H 9/1021
310/340
6,888,044 B2* 5/2005 Fell A61F 13/15634
604/365
D571,004 S * 6/2008 Cardin D24/124



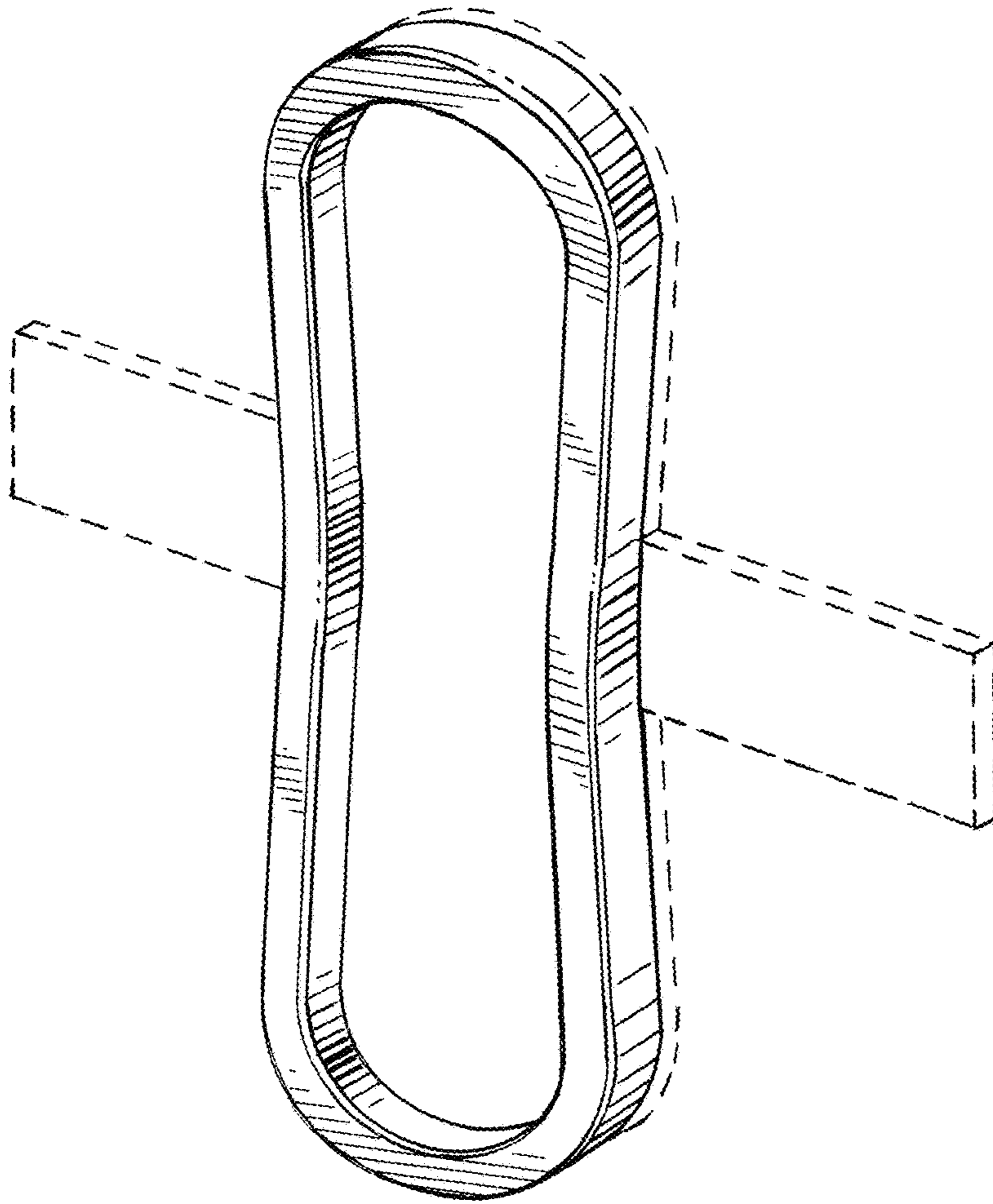


FIG. 1

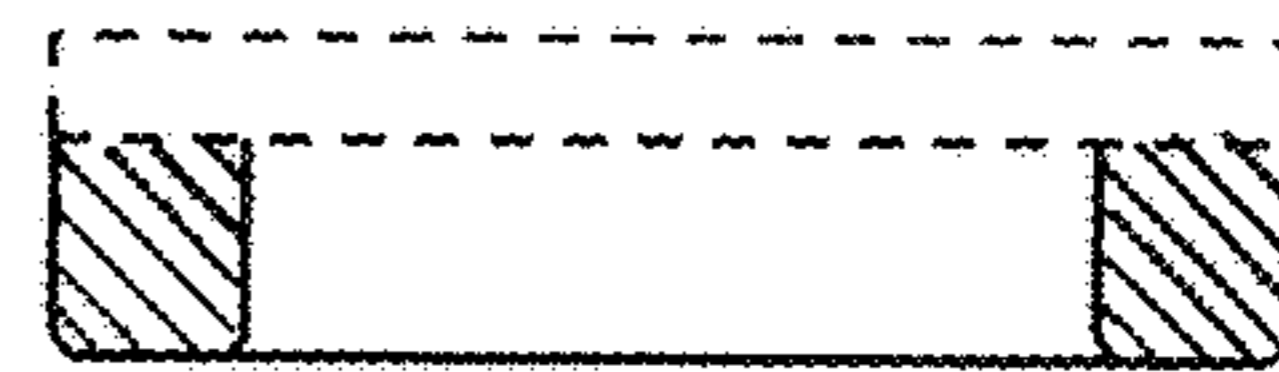


FIG. 7

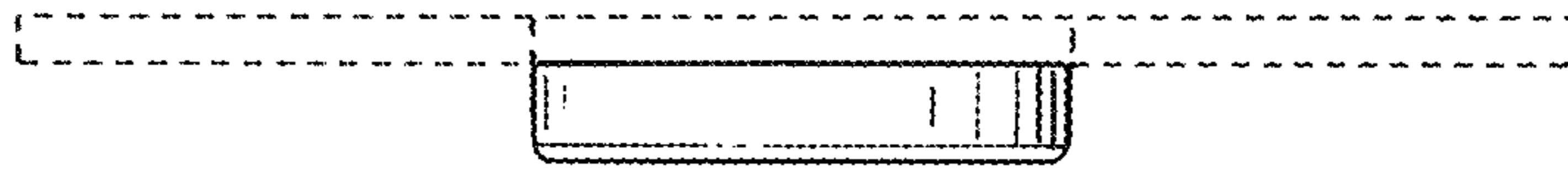


FIG. 2

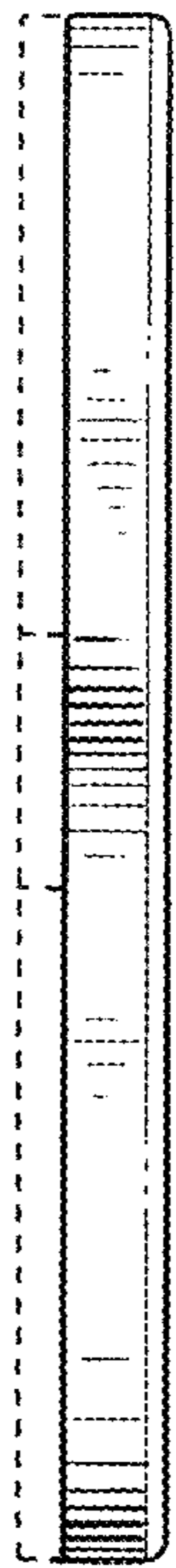


FIG. 5

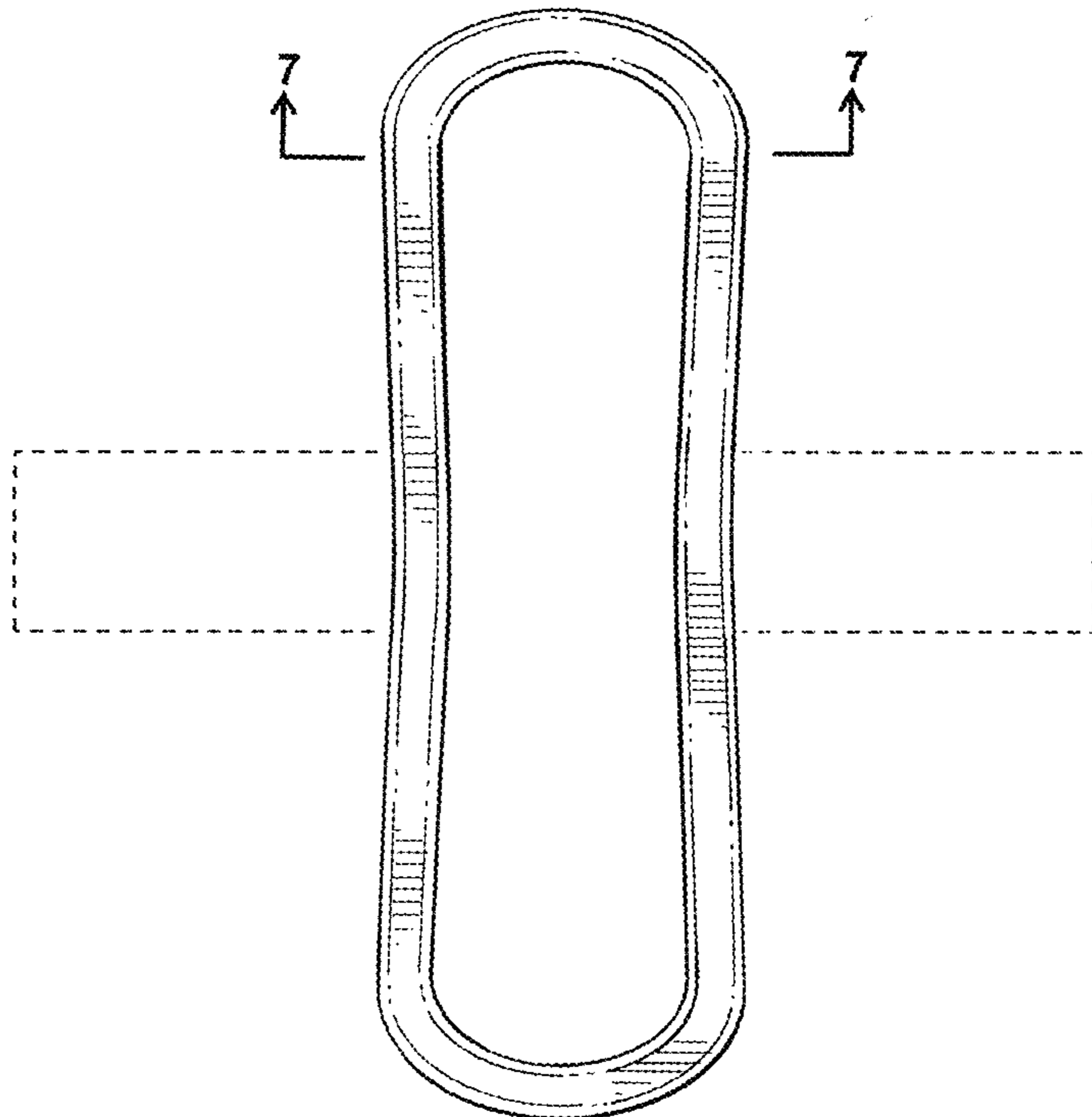


FIG. 3

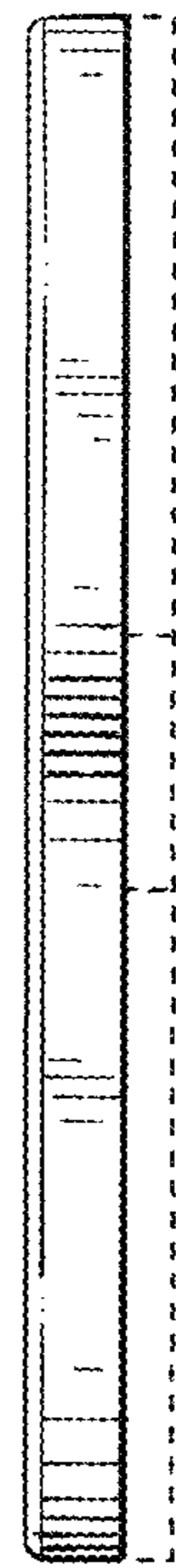


FIG. 6



FIG. 4