



US00D783808S

(12) **United States Design Patent** (10) **Patent No.:** **US D783,808 S**
Lee (45) **Date of Patent:** **** Apr. 11, 2017**

(54) **NEBULIZER**

(71) Applicant: **Wen-Ching Lee**, Taichung (TW)

(72) Inventor: **Wen-Ching Lee**, Taichung (TW)

(**) Term: **15 Years**

(21) Appl. No.: **29/528,568**

(22) Filed: **May 29, 2015**

(30) **Foreign Application Priority Data**

Dec. 2, 2014 (TW) 103307091

(51) **LOC (10) Cl.** **29-02**

(52) **U.S. Cl.**

USPC **D24/110**

(58) **Field of Classification Search**

USPC D24/107, 108, 110, 111, 127, 164

CPC A61M 15/00; A61M 15/0065; A61M

15/0091; A61M 15/0021; A61M 15/0026;

A61M 11/00; A61M 11/02; A61M 11/04

See application file for complete search history.

(56) **References Cited**

U.S. PATENT DOCUMENTS

D344,796 S * 3/1994 Sochon D24/110

D348,100 S * 6/1994 Clarke D24/110

6,575,160 B1 * 6/2003 Volgyesi A61M 15/0045

128/203.12

D512,777 S * 12/2005 Beisner D24/110

D558,330 S * 12/2007 Chang D24/110

D631,538 S * 1/2011 Edwards D24/110.5

D659,819 S * 5/2012 Edwards D24/110

D687,945 S * 8/2013 Brewer D24/110

D687,946 S * 8/2013 Brewer D24/110

D687,947 S * 8/2013 Brewer D24/110

2002/0157663 A1 * 10/2002 Blacker A61M 11/06

128/200.21

2003/0136399 A1 * 7/2003 Foley A61M 11/06

128/200.14

2007/0119450 A1 * 5/2007 Wharton A61M 15/00

128/200.23

2008/0083409 A1 * 4/2008 Hamaguchi A61M 11/06

128/200.24

(Continued)

Primary Examiner — Barbara Fox

Assistant Examiner — Lilyana Bekic

(74) *Attorney, Agent, or Firm* — Rosenberg, Klein & Lee

(57) **CLAIM**

The ornamental design for a nebulizer, as shown and described.

DESCRIPTION

FIG. 1 is a perspective view of a nebulizer showing my new design with a portion in an extended configuration;

FIG. 2 is a right side view in the extended configuration thereof;

FIG. 3 is a left side view in the extended configuration thereof;

FIG. 4 is a front view in the extended configuration thereof;

FIG. 5 is a rear view in the extended configuration thereof;

FIG. 6 is a top plan view thereof;

FIG. 7 is a bottom plan view thereof;

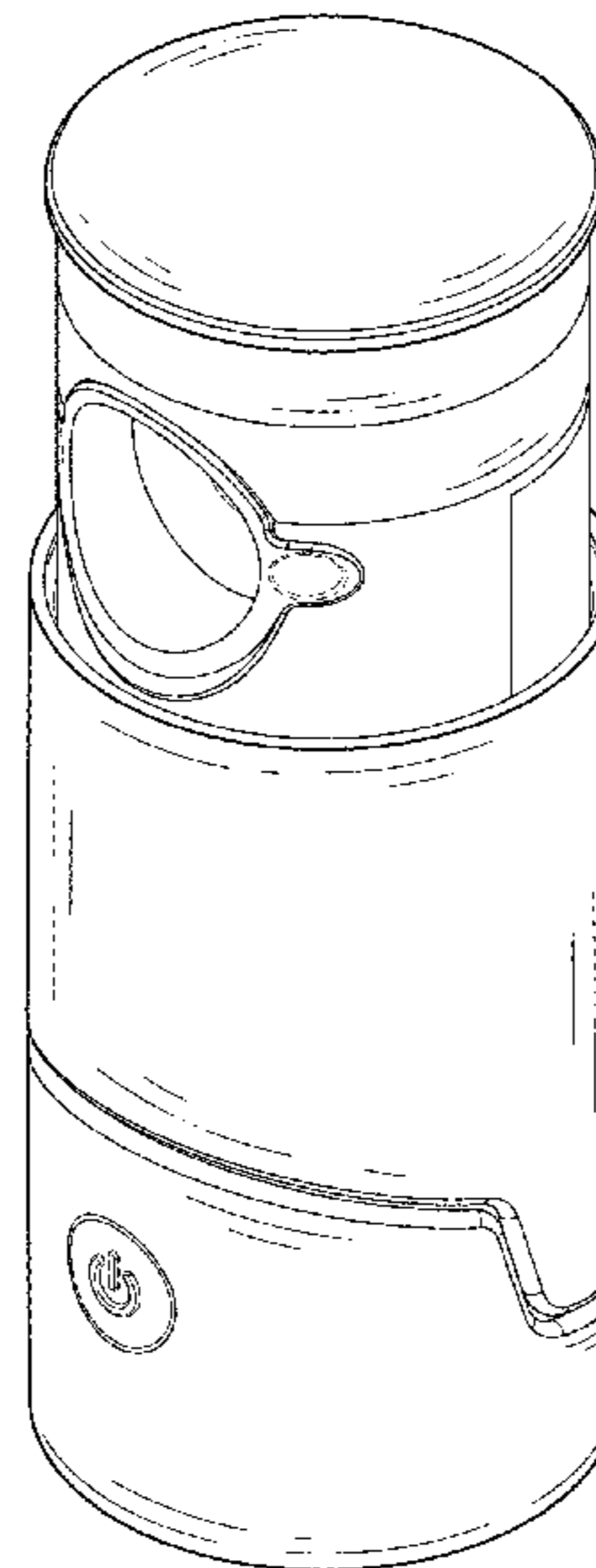
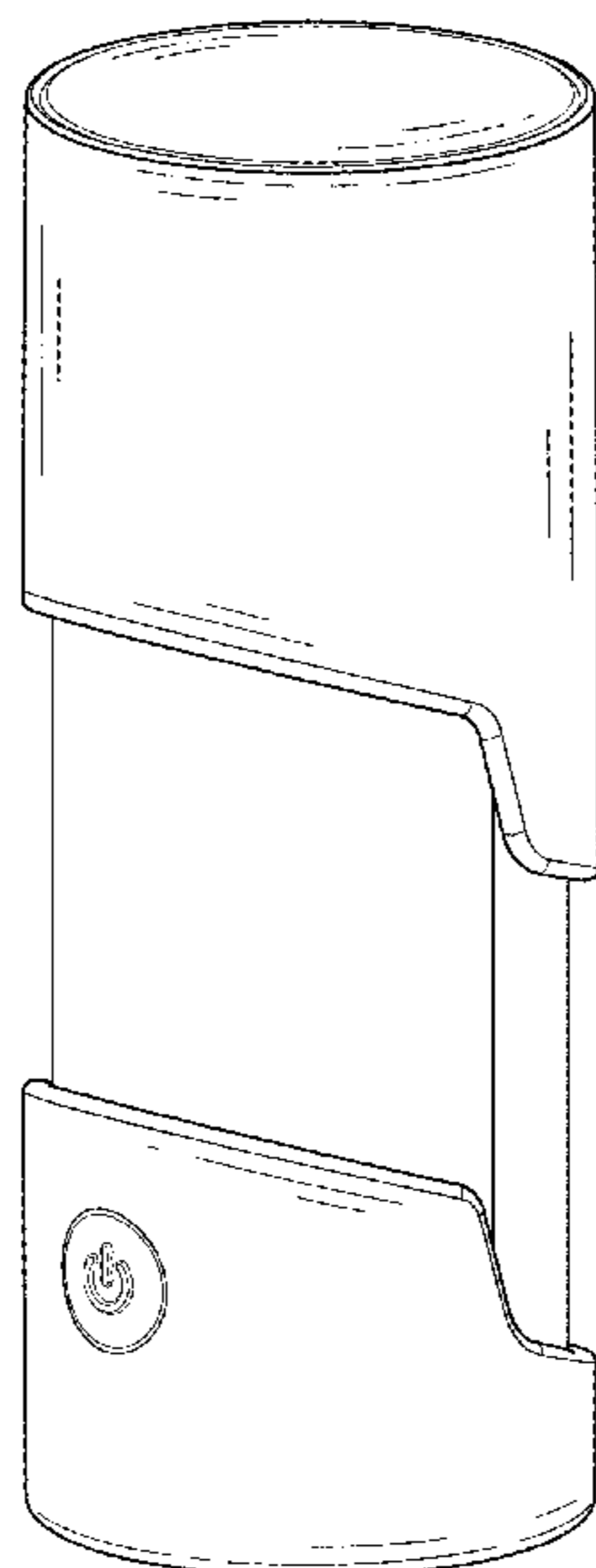
FIG. 8 is a perspective view of the nebulizer of FIG. 1 in a retracted configuration;

FIG. 9 is a front view in a retracted configuration thereof; and,

FIG. 10 is a rear view of the nebulizer in a retracted configuration thereof.

The broken lines in the drawings illustrate portions of the nebulizer that form no part of the claimed design.

1 Claim, 10 Drawing Sheets



(56)

References Cited

U.S. PATENT DOCUMENTS

2008/0173729	A1 *	7/2008	Weng	A61M 15/0085 239/102.2
2011/0303218	A1 *	12/2011	Yadidi	A61M 11/005 128/200.14
2012/0174917	A1 *	7/2012	Chen	A61M 11/06 128/200.23
2012/0227735	A1 *	9/2012	Abate	A61M 11/06 128/200.14
2013/0327323	A1 *	12/2013	Rubin	A61M 11/02 128/200.18
2014/0000597	A1 *	1/2014	Korneff	A61M 11/06 128/203.12
2015/0231341	A1 *	8/2015	Korneff	A61M 11/02 128/200.23

* cited by examiner

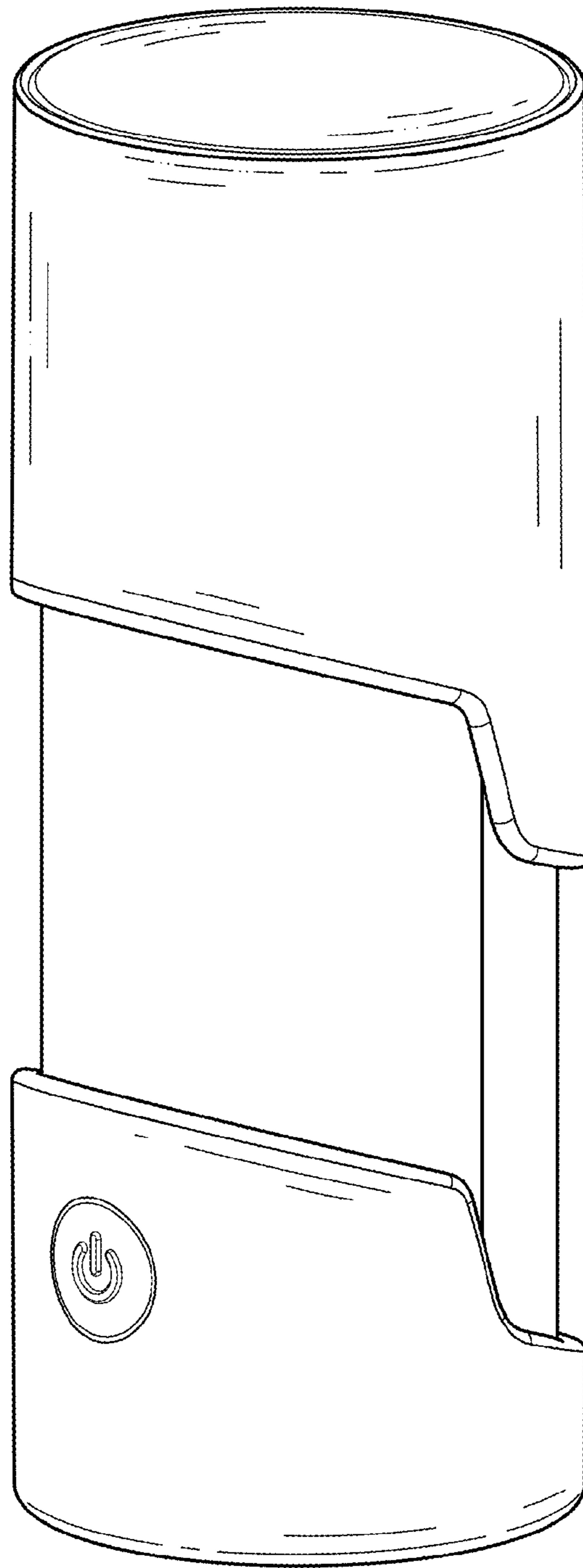


FIG.1

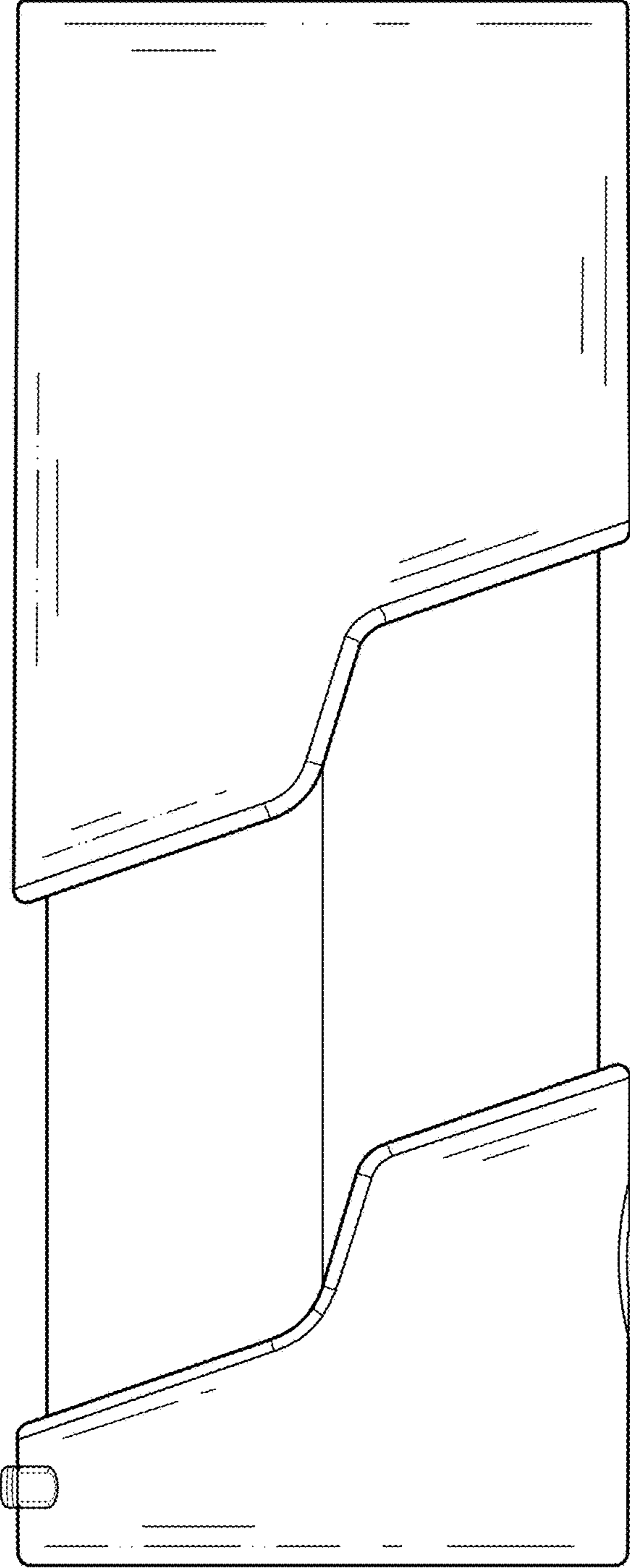


FIG.2

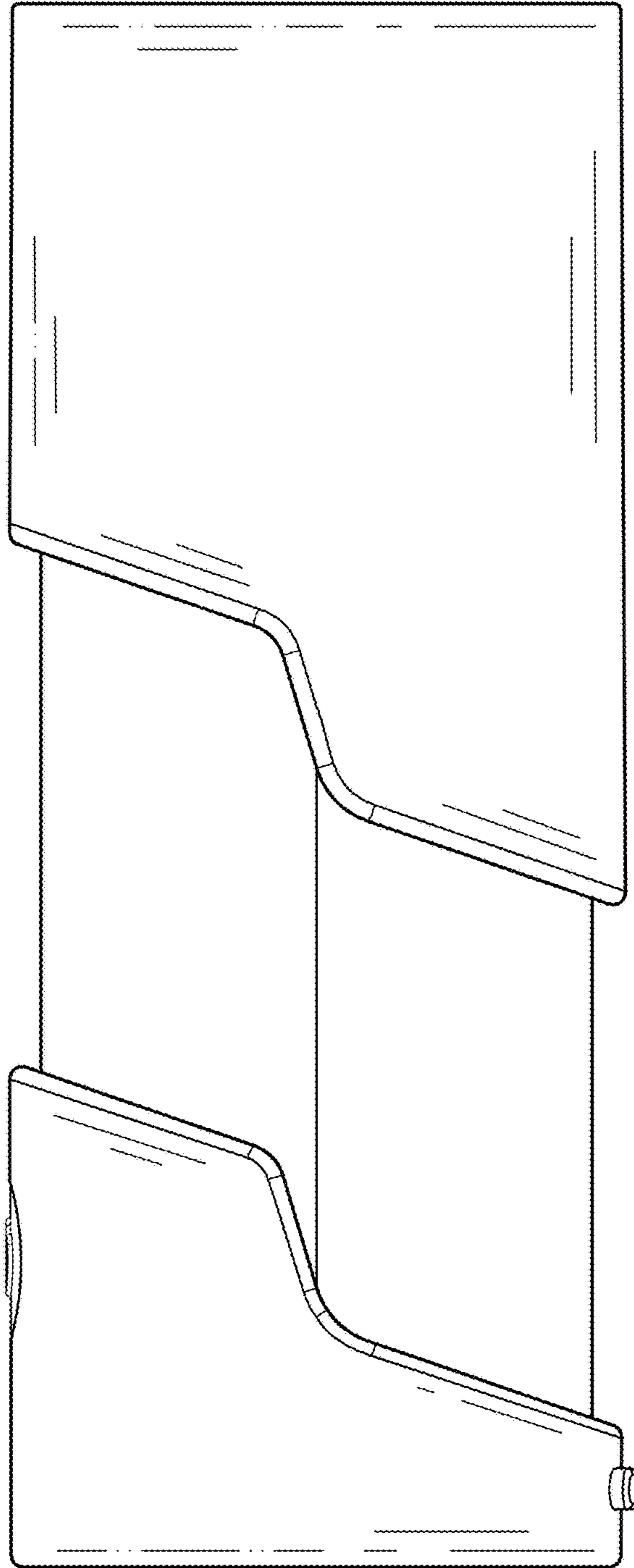


FIG.3

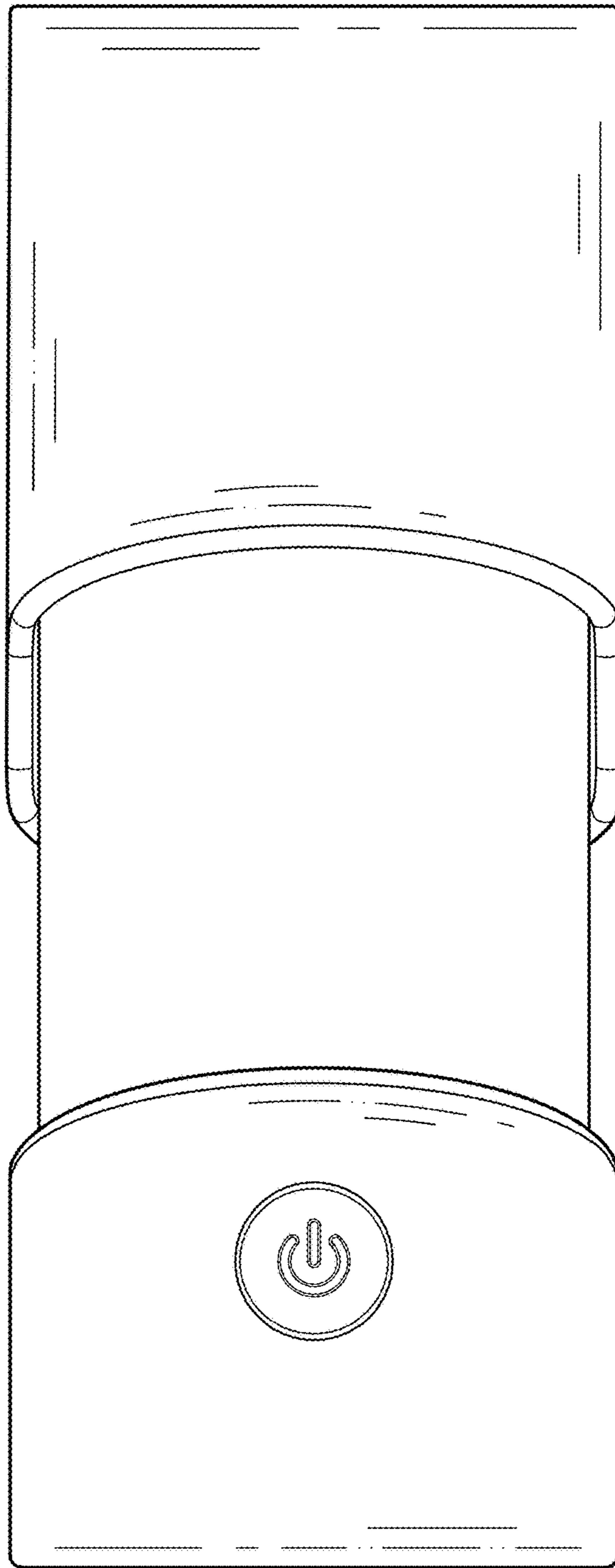


FIG.4

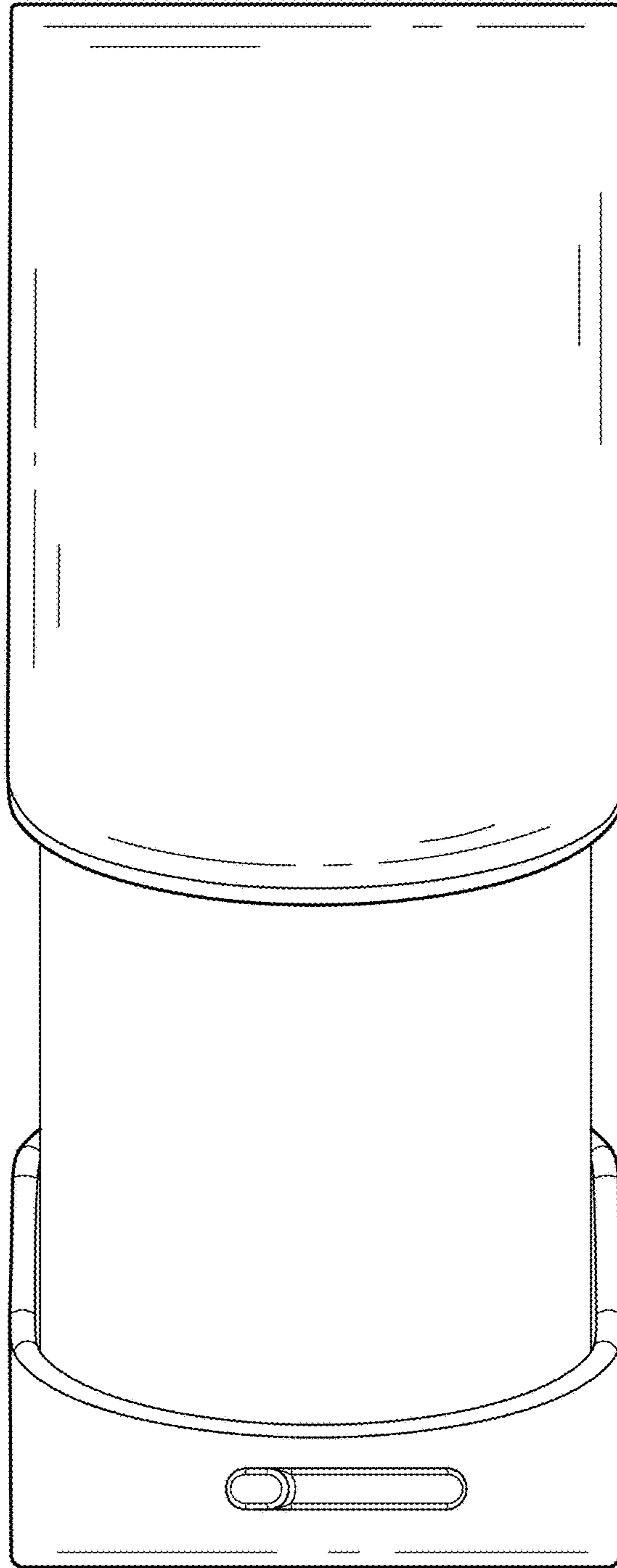


FIG.5

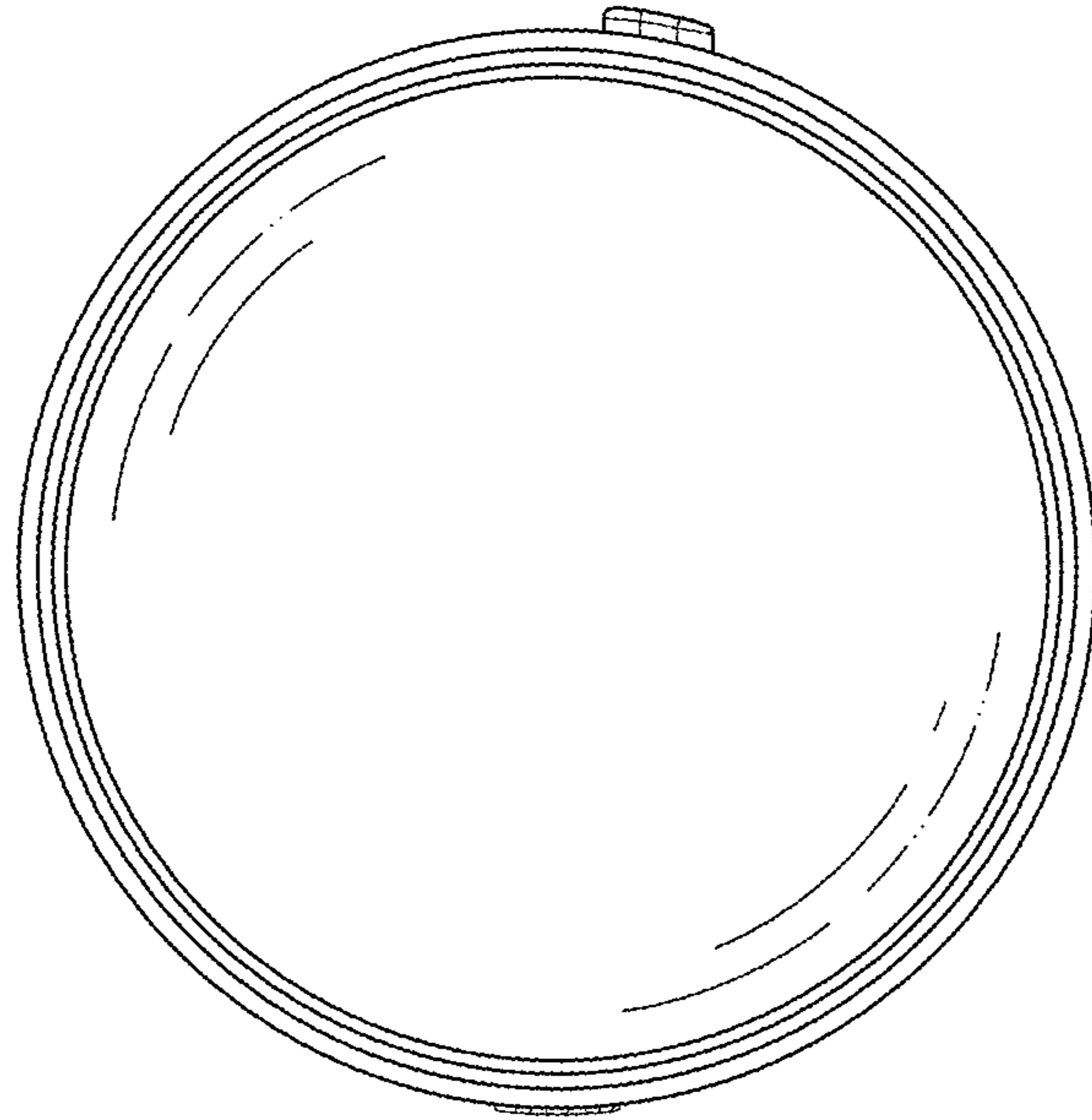


FIG.6

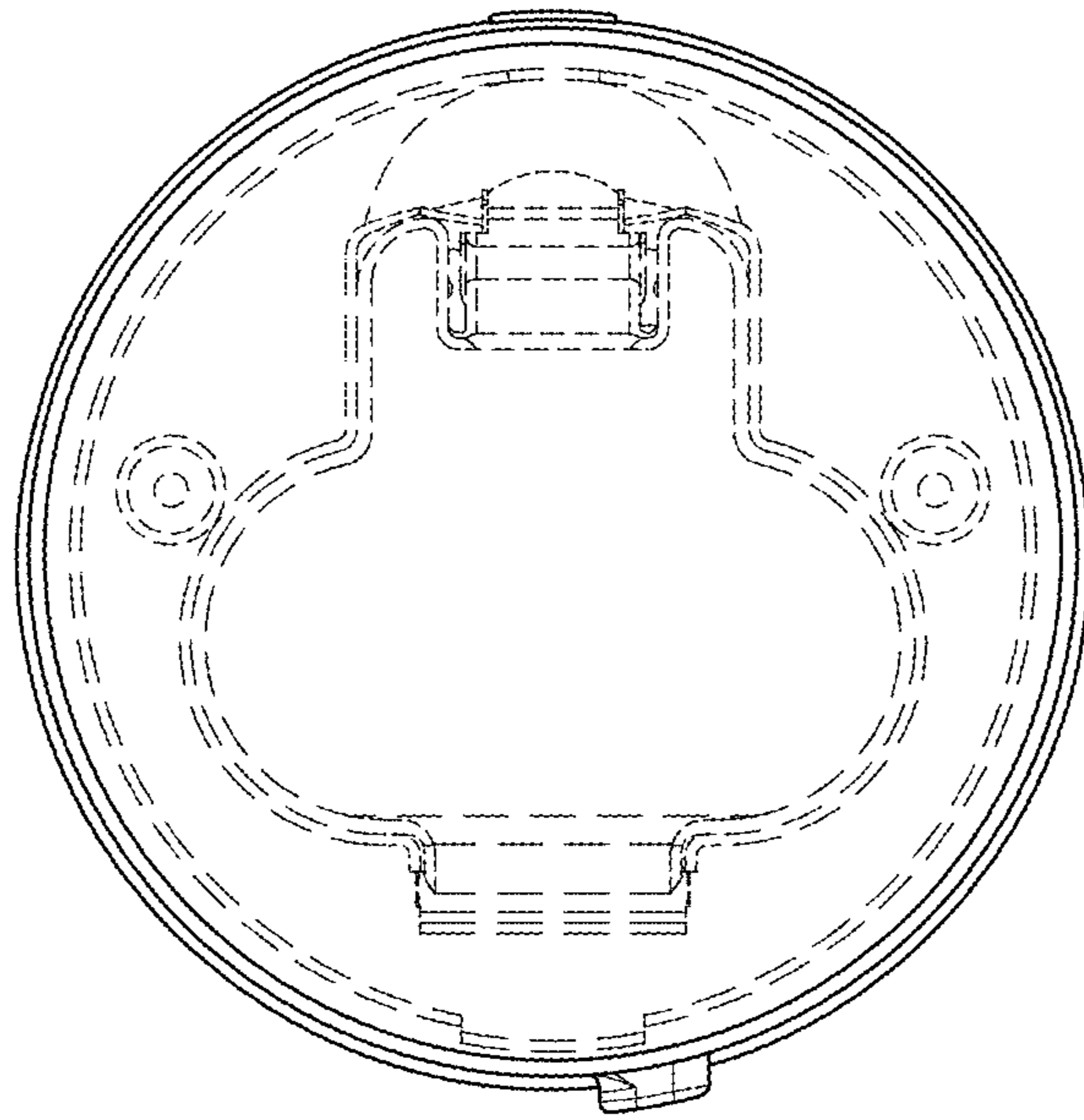


FIG.7

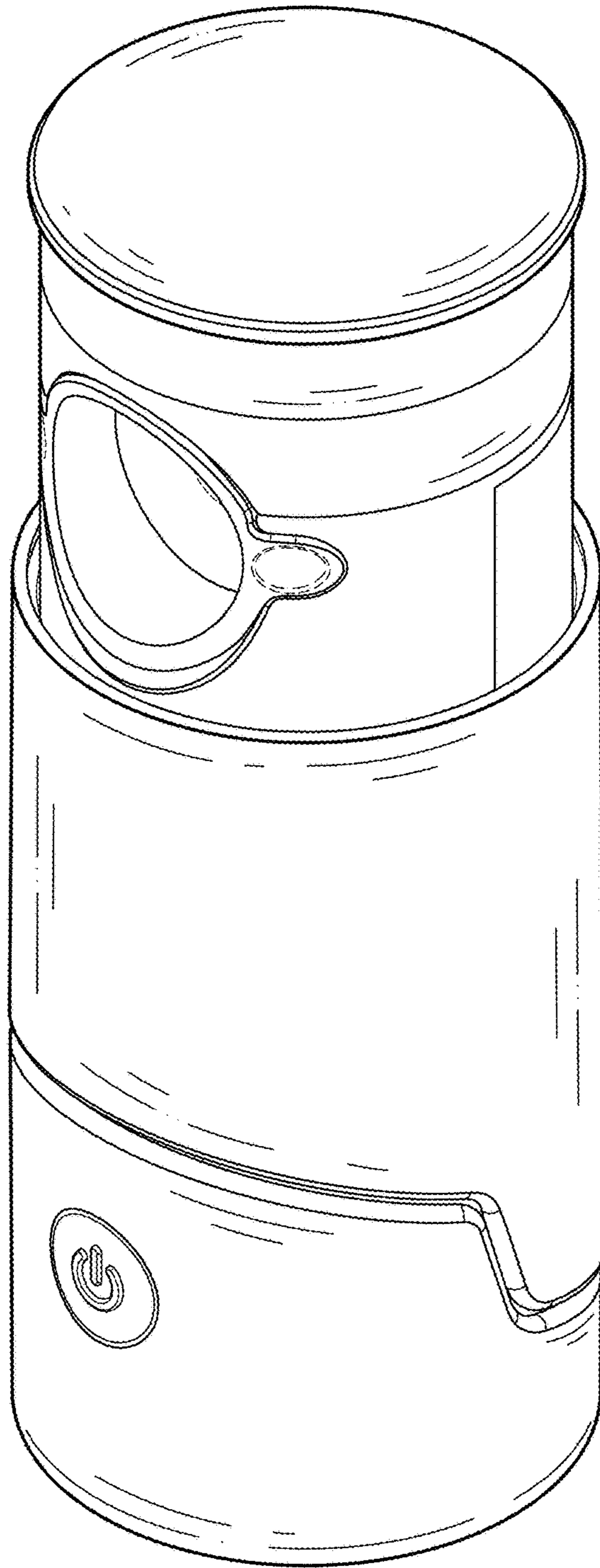


FIG.8

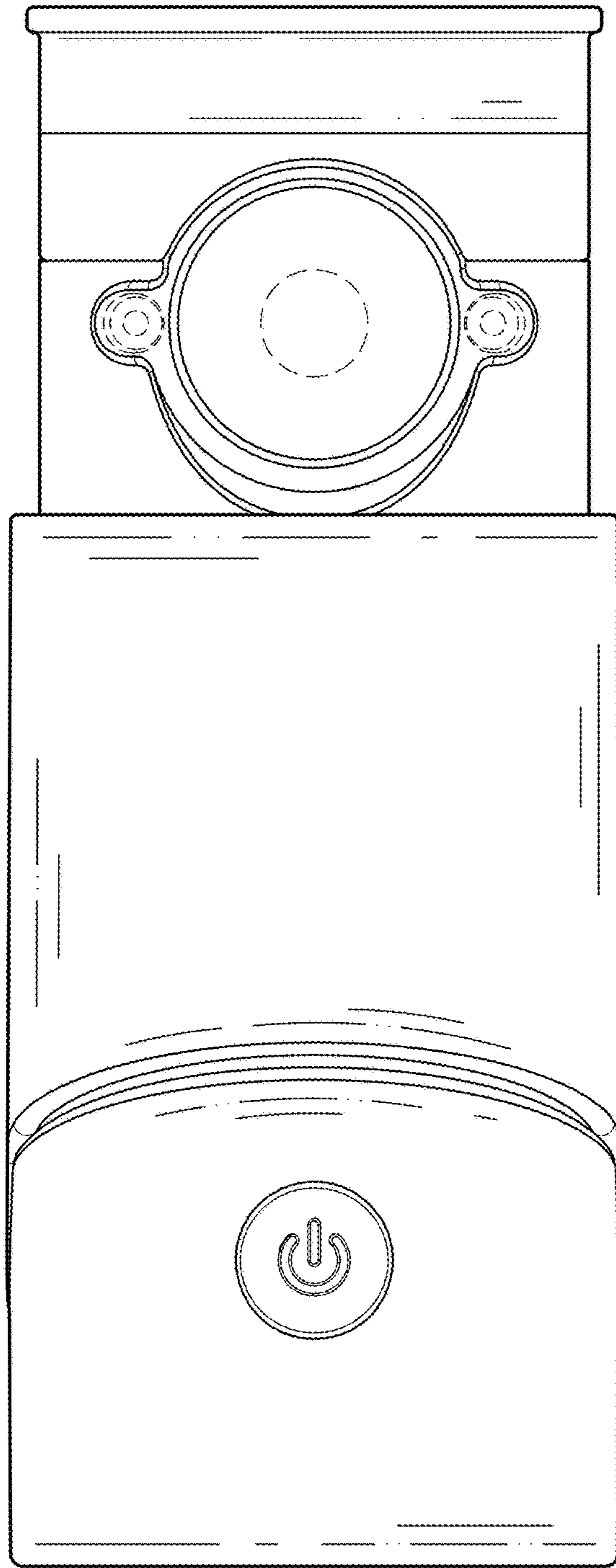


FIG.9

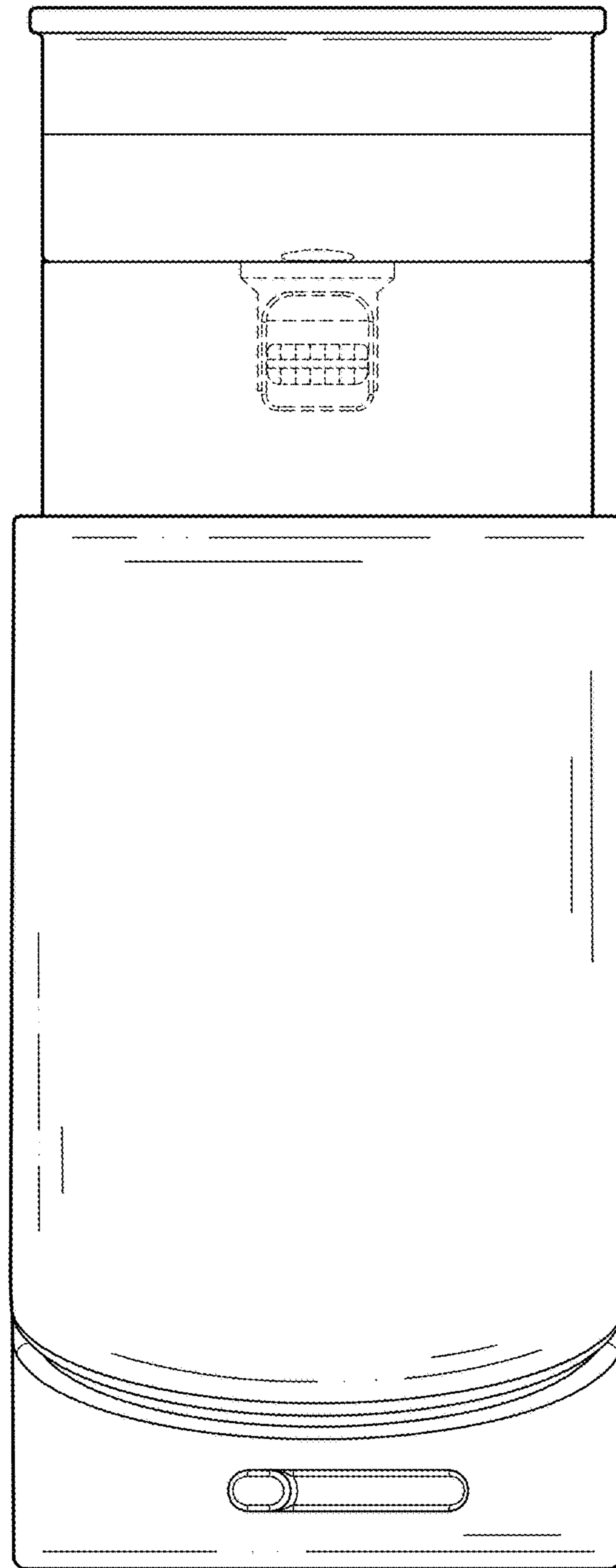


FIG. 10