



US00D783803S

(12) **United States Design Patent**
Rigert et al.

(10) **Patent No.:** **US D783,803 S**
(45) **Date of Patent:** **** Apr. 11, 2017**

(54) **BREASTSHIELD CONNECTOR FOR BREAST PUMP**

(71) Applicant: **MEDELA HOLDING AG**, Baar (CH)

(72) Inventors: **Mario Rigert**, Buchrain (CH);
Bernhard Emmenegger, Lucerne (CH)

(73) Assignee: **MEDELA HOLDING AG**, Baar (CH)

(**) Term: **15 Years**

(21) Appl. No.: **29/534,398**

(22) Filed: **Jul. 28, 2015**

(30) **Foreign Application Priority Data**

Feb. 20, 2015 (WO) 874 300 401

(51) **LOC (10) Cl.** **24-02**

(52) **U.S. Cl.**
USPC **D24/109**

(58) **Field of Classification Search**
USPC D24/108, 109, 127; 604/74-76; D9/435,
D9/447, 448, 523, 526
CPC A61M 1/062; A61M 1/06; A61M 1/066;
A61M 1/064

See application file for complete search history.

(56) **References Cited**

U.S. PATENT DOCUMENTS

D484,236 S *	12/2003	Renz	D24/109
D485,614 S *	1/2004	Renz	D24/109
D486,223 S *	2/2004	Robson	D24/109
6,706,012 B2	3/2004	McKendry et al.		
D609,330 S *	2/2010	Paterson	D24/109
D609,331 S *	2/2010	Paterson	D24/109
8,187,227 B2	5/2012	Luzbetak et al.		
D676,956 S *	2/2013	Kirchner	D24/109
2003/0149398 A1 *	8/2003	Renz	A45C 3/06 604/74

2010/0324477 A1 *	12/2010	Paterson	A61M 1/0072 604/74
2010/0324478 A1 *	12/2010	Kazazoglu	A61M 1/0072 604/74
2011/0071466 A1 *	3/2011	Silver	A61M 1/06 604/74

(Continued)

Primary Examiner — Barbara Fox

Assistant Examiner — Lilyana Bekic

(74) *Attorney, Agent, or Firm* — Marshall, Gerstein & Borun LLP

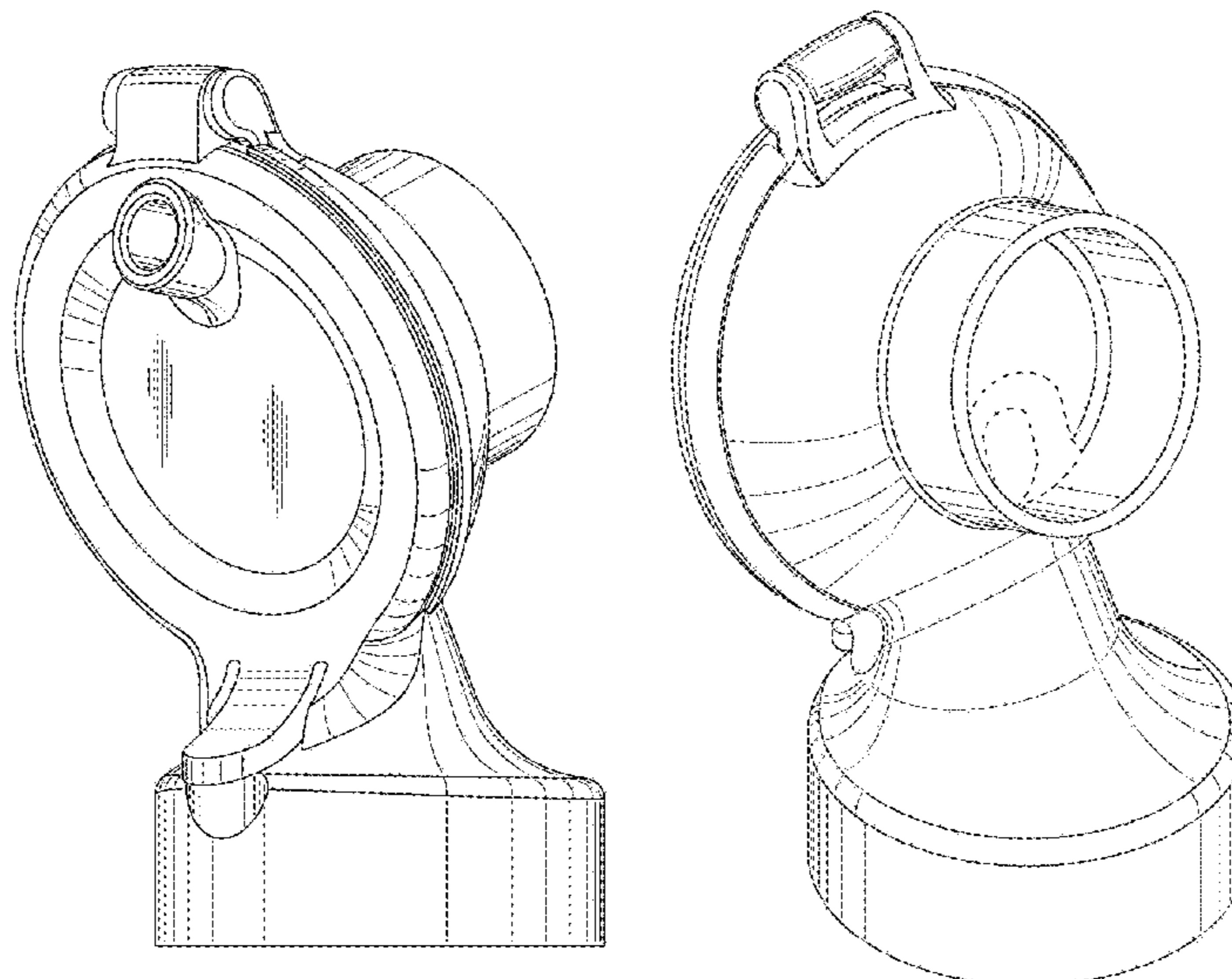
(57) **CLAIM**

The ornamental design for a breastshield connector for breast pump, as shown and described.

DESCRIPTION

FIG. 1 is a right, rear perspective view of a breastshield-connector for breast pump of the present invention;
 FIG. 2 is a right, front, top perspective view of the invention illustrated in FIG. 1;
 FIG. 3 is a rear plan view of the invention illustrated in FIG. 1;
 FIG. 4 is a front plan view of the invention illustrated in FIG. 1;
 FIG. 5 is a left plan view of the invention illustrated in FIG. 1;
 FIG. 6 is a right plan view of the invention illustrated in FIG. 1;
 FIG. 7 is a top plan view of the invention illustrated in FIG. 1;
 FIG. 8 is a bottom plan view of the invention illustrated in FIG. 1; and,
 FIG. 9 is a left plan view of the invention illustrated in FIG. 1, shown with a breastshield attached.
 The broken line showing of the breastshield in FIG. 9 illustrates environment and forms no part of the claimed design.

1 Claim, 9 Drawing Sheets



(56)

References Cited

U.S. PATENT DOCUMENTS

2012/0071820 A1 3/2012 Luzbetak et al.
2015/0328380 A1* 11/2015 Furrer A61M 1/0049
604/74

* cited by examiner

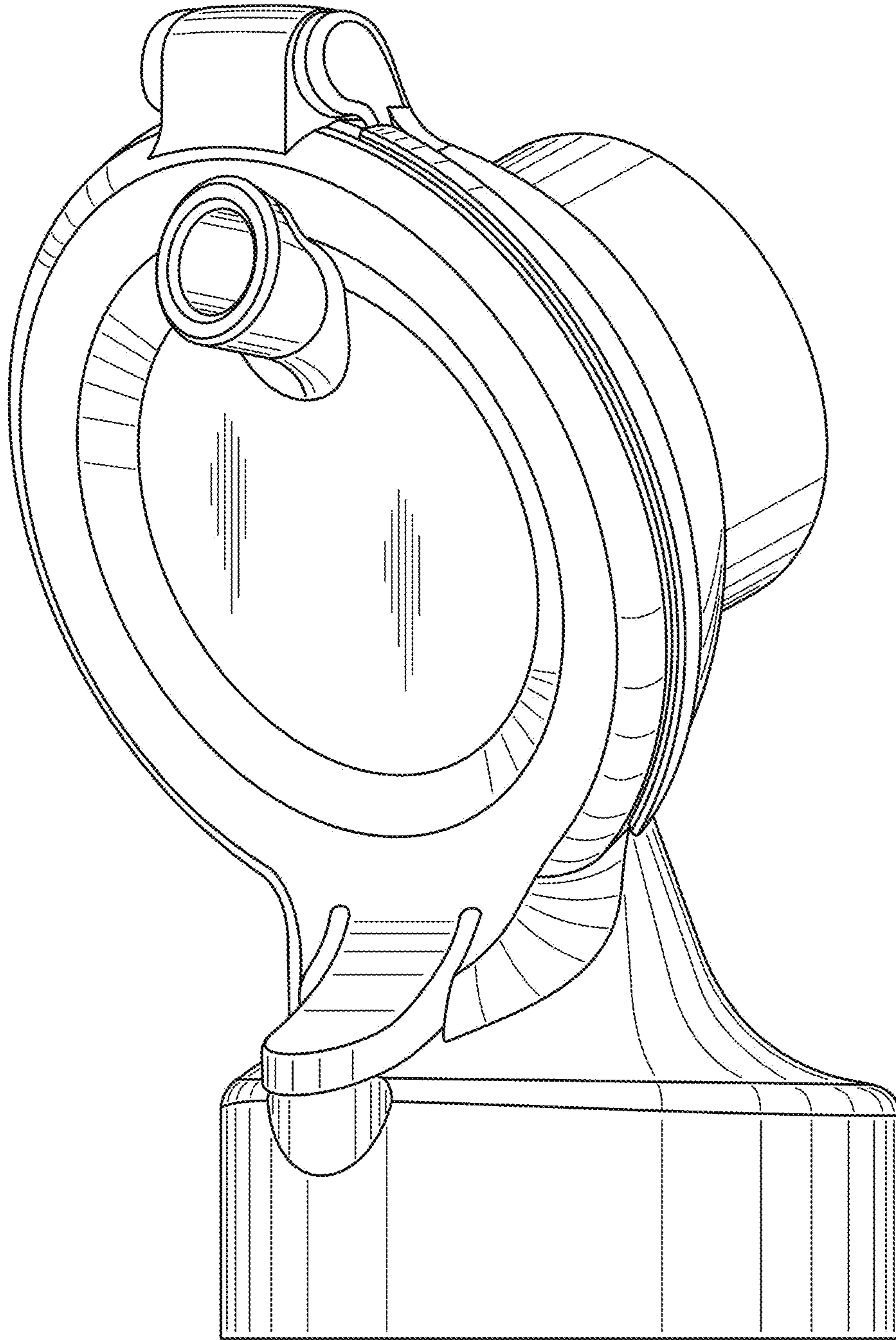


FIG. 1

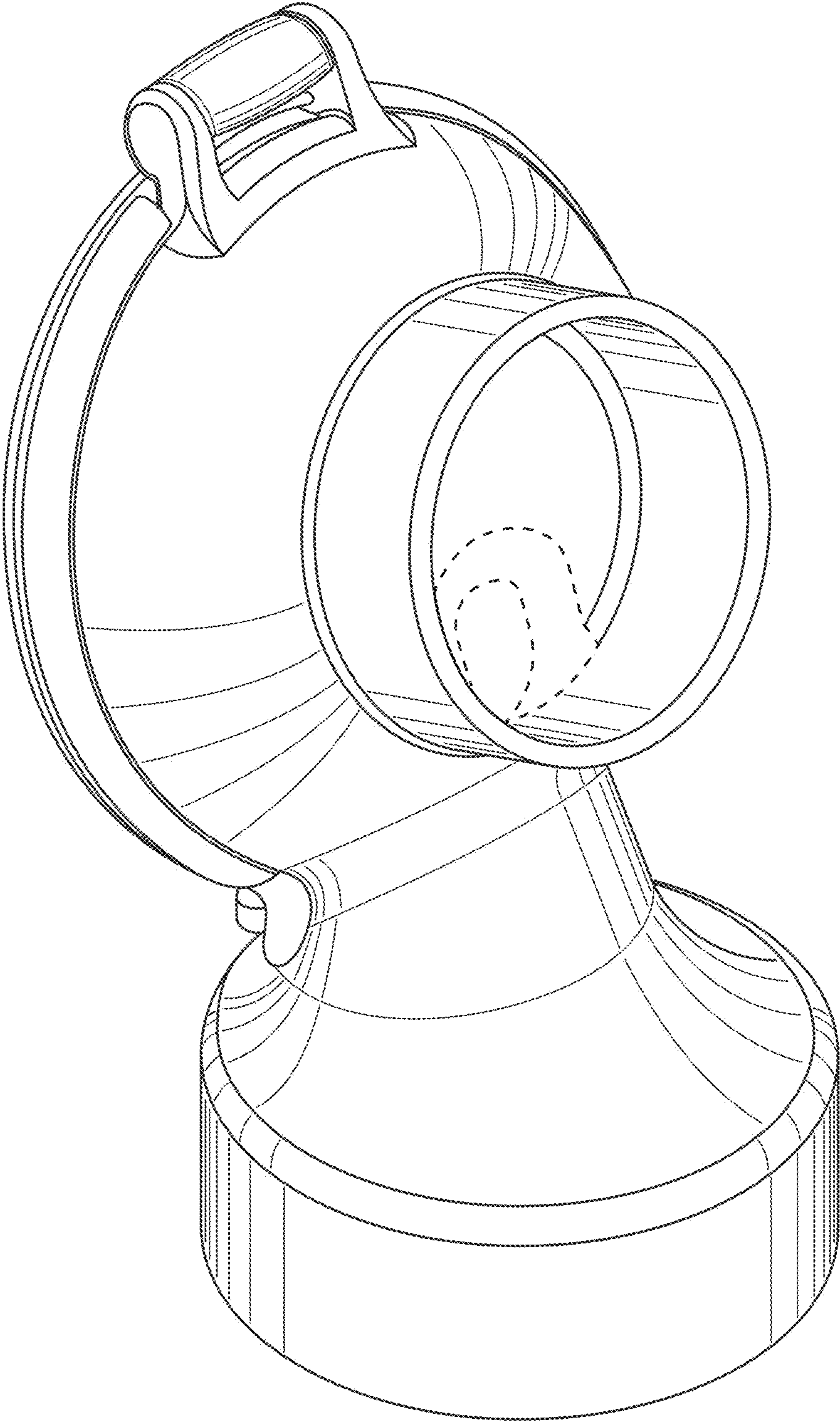


FIG. 2

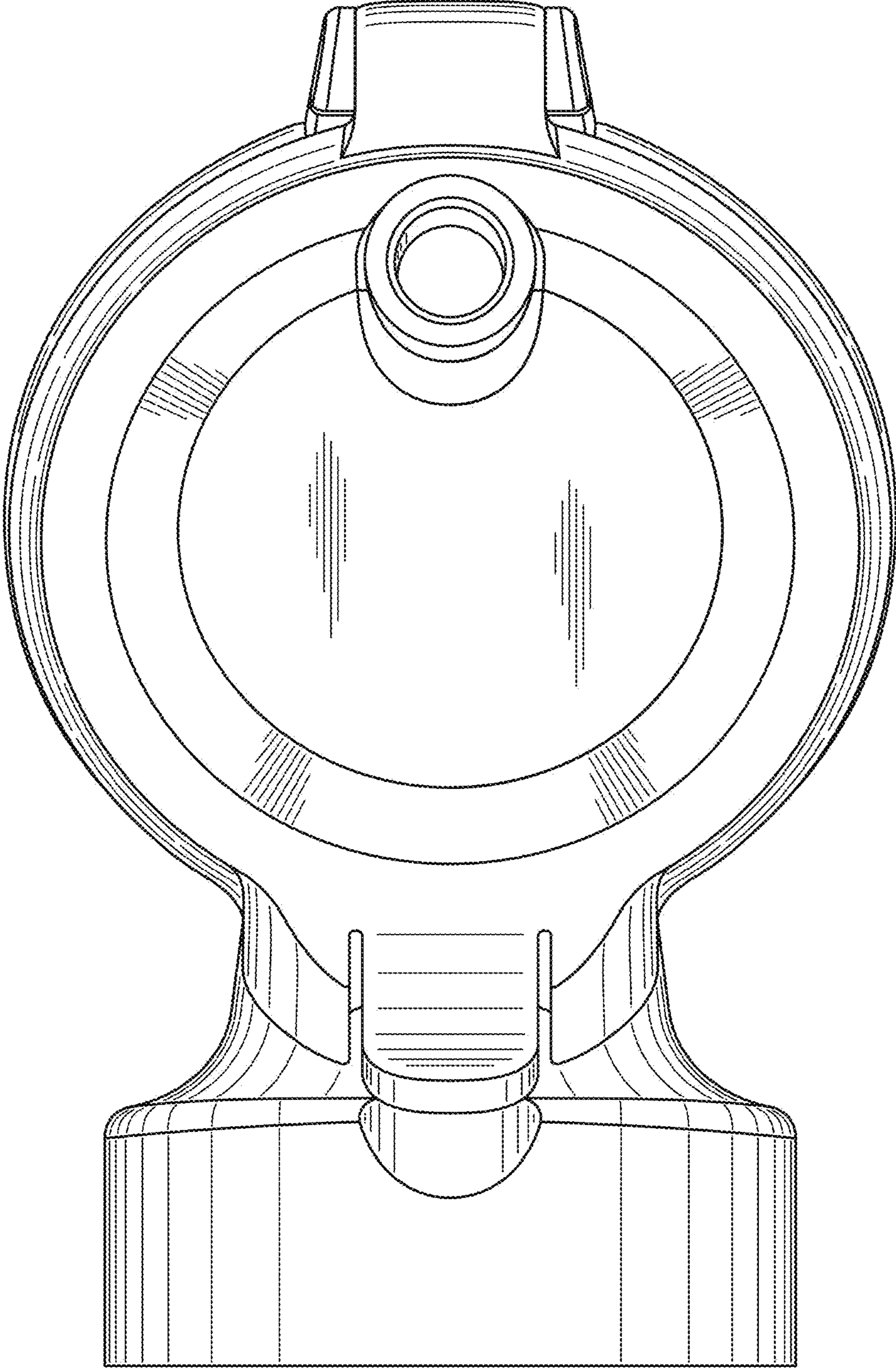


FIG. 3

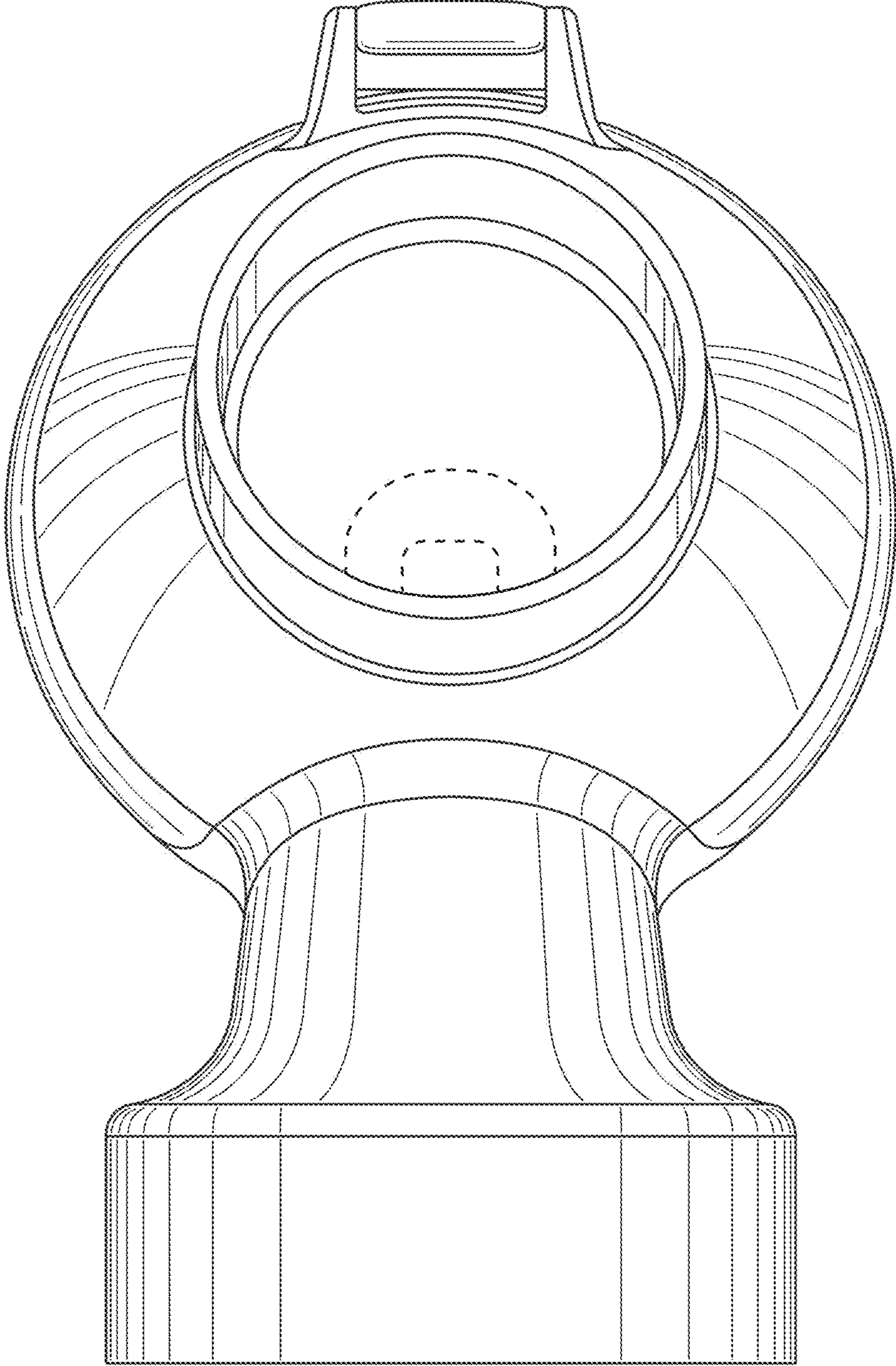


FIG. 4

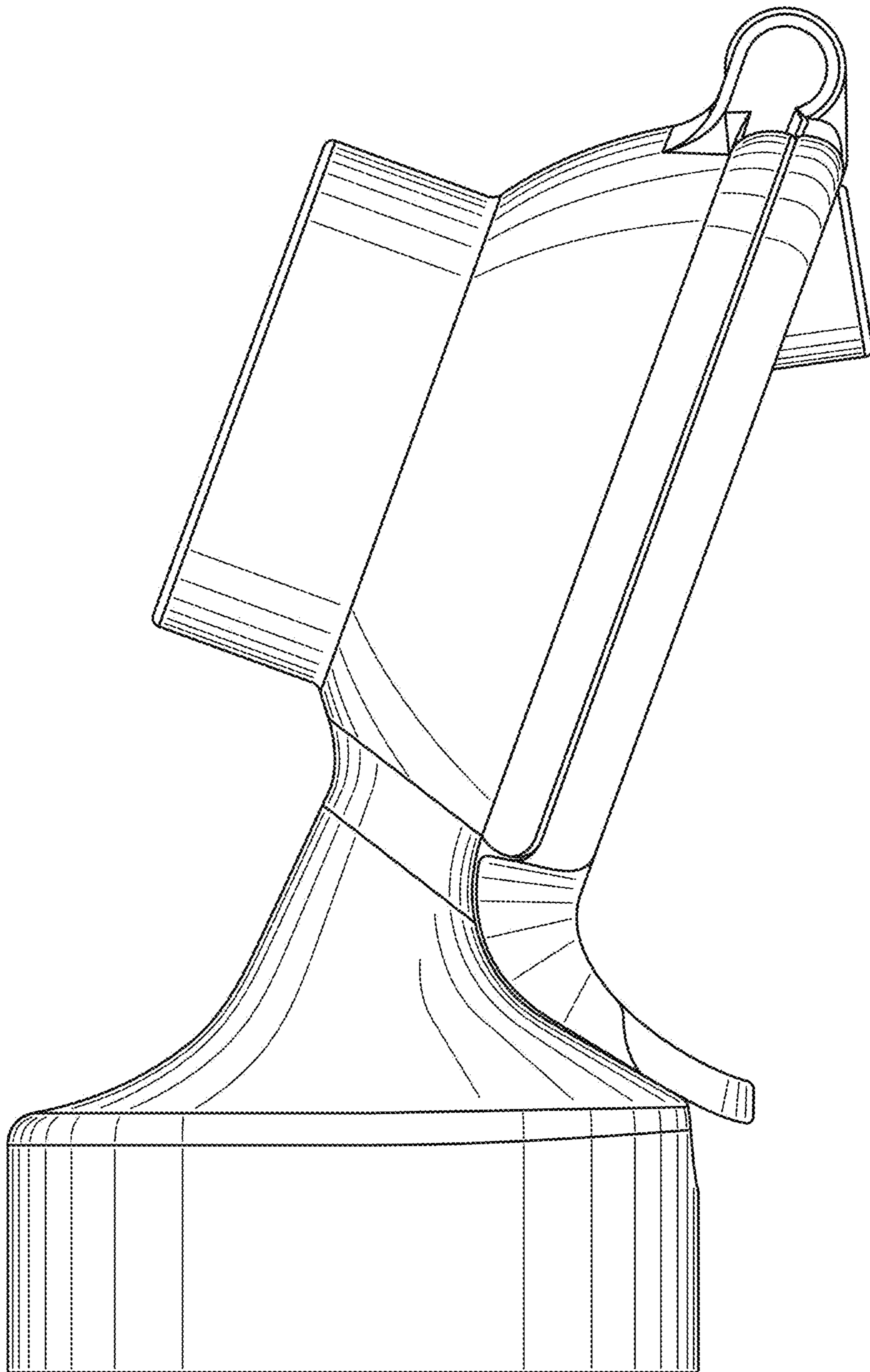


FIG. 5

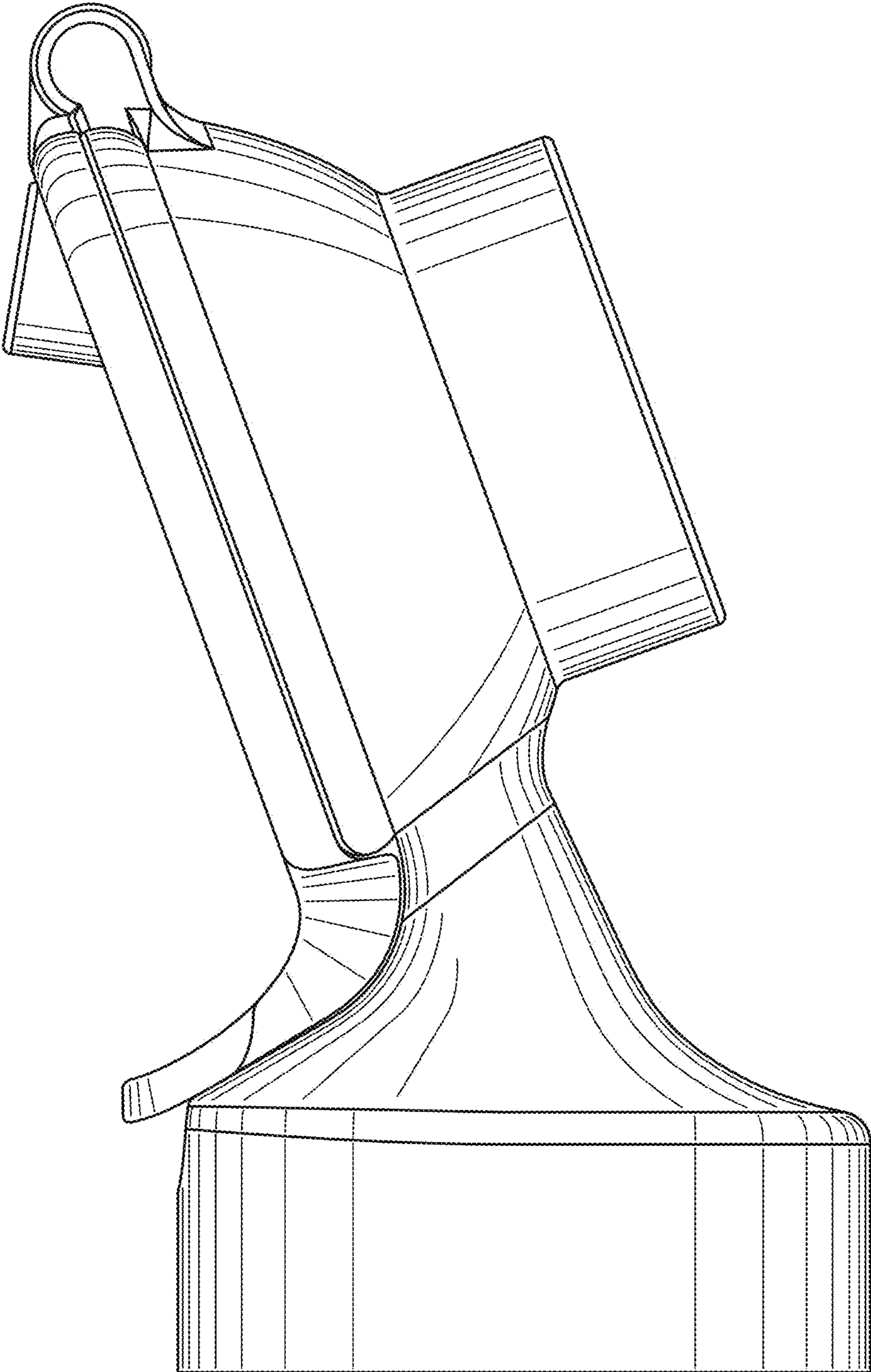


FIG. 6

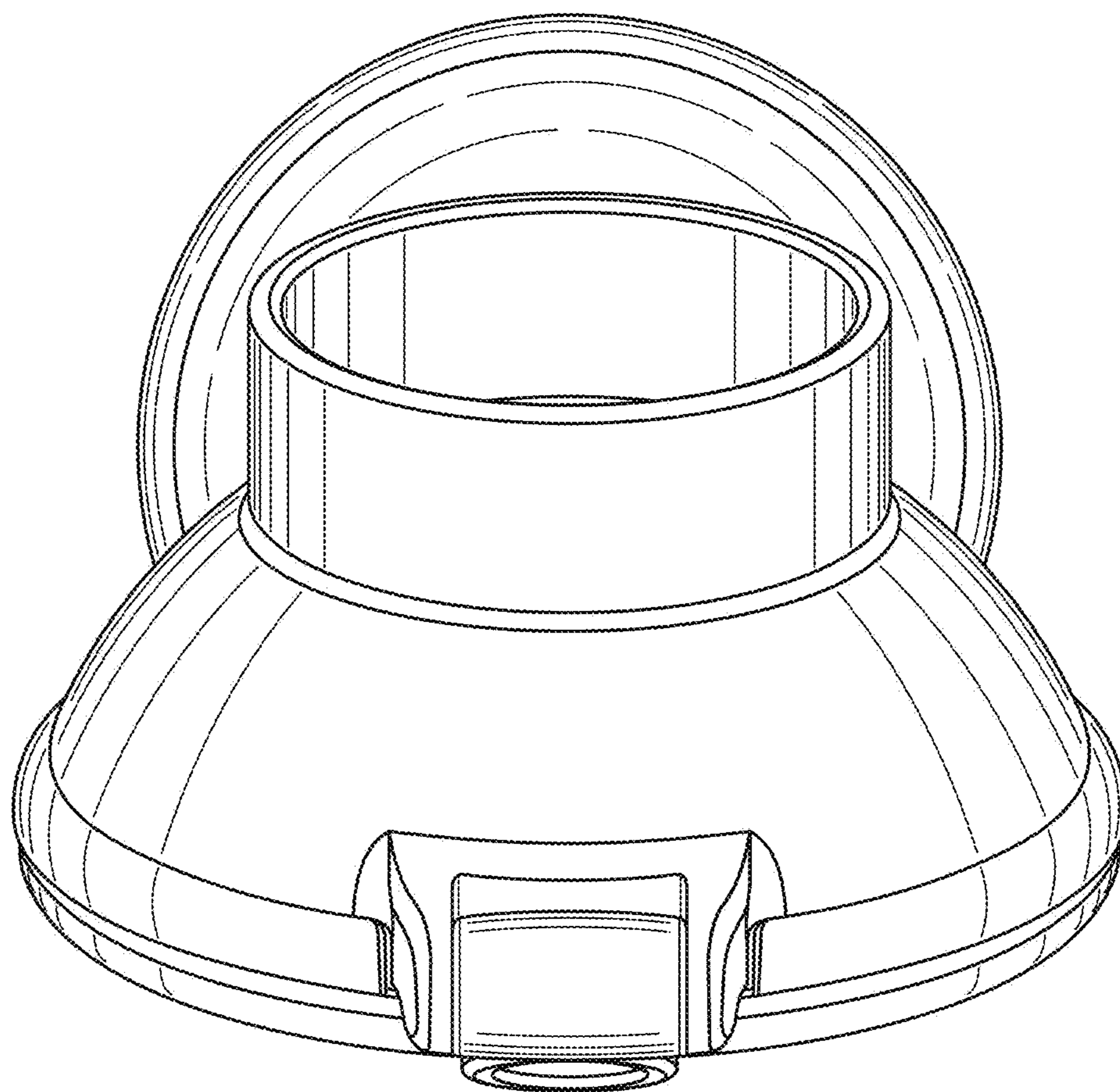


FIG. 7

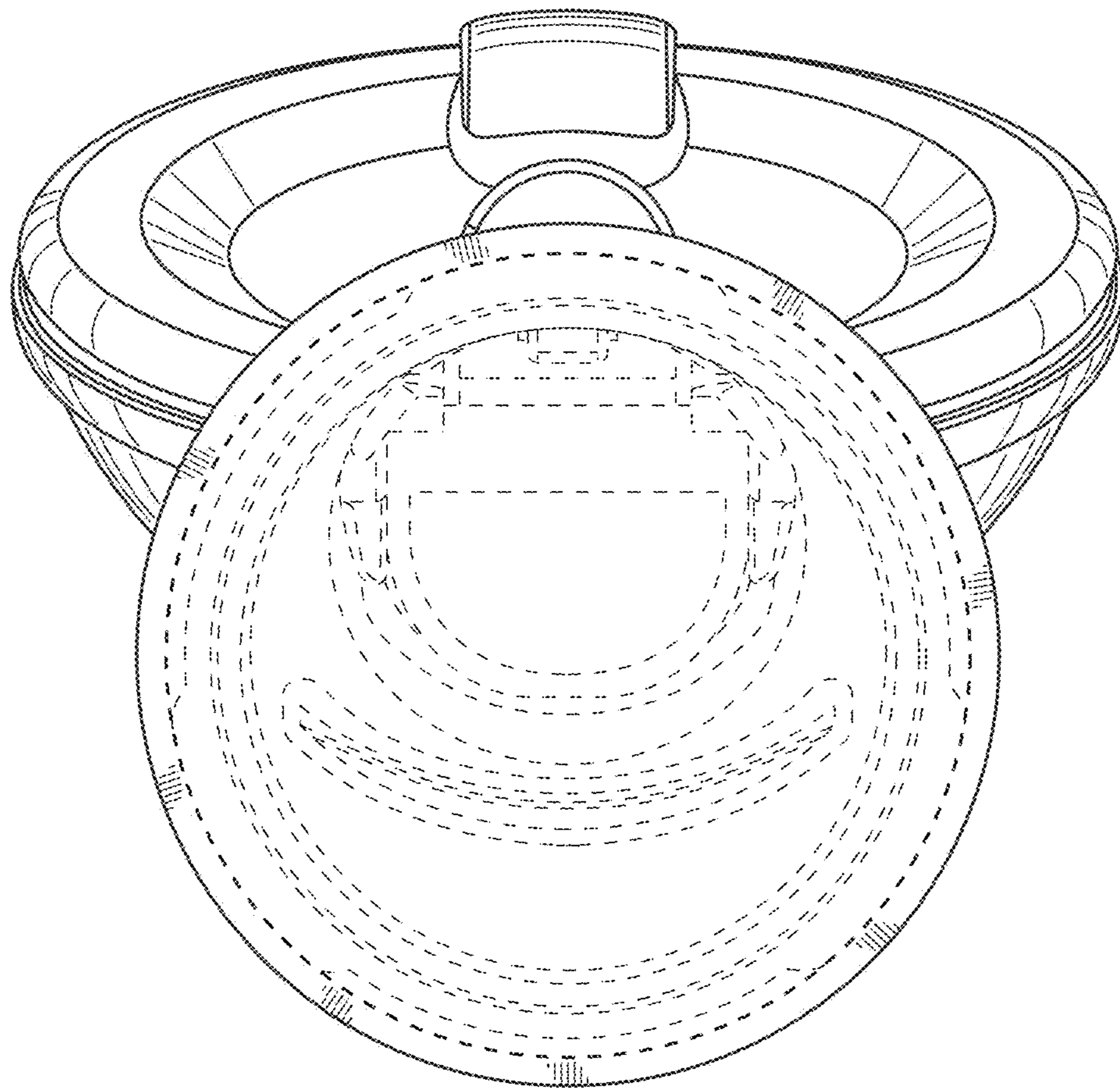


FIG. 8

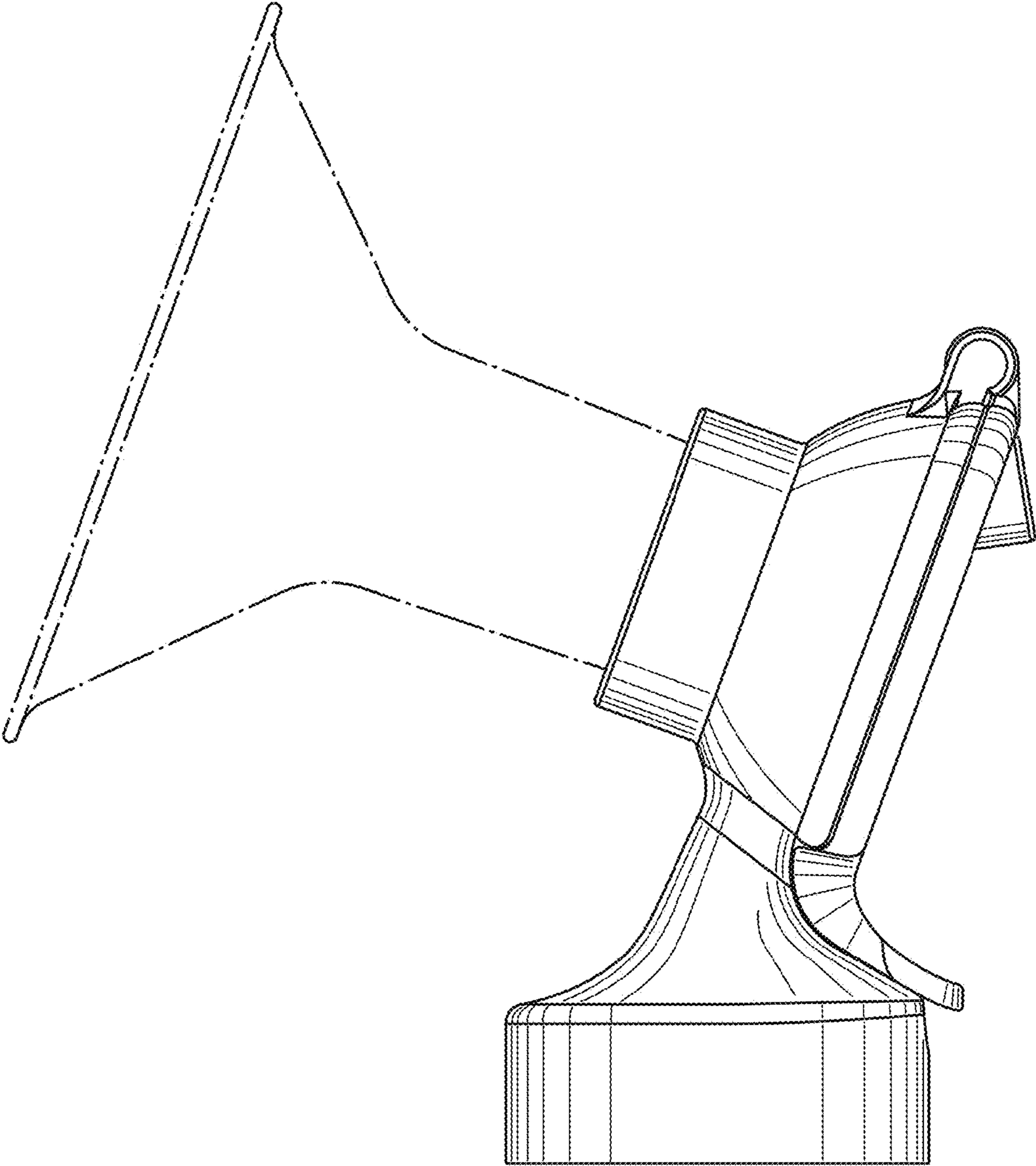


FIG. 9