



US00D783800S

(12) **United States Design Patent** (10) **Patent No.:** **US D783,800 S**
Goode (45) **Date of Patent:** **** Apr. 11, 2017**

(54) **ORAL DELIVERY PRODUCT**
(71) Applicant: **Pfizer Inc.**, New York, NY (US)
(72) Inventor: **Michael A. Goode**, Powhatan, VA (US)
(73) Assignee: **Pfizer Inc.**, New York, NY (US)
(**) Term: **15 Years**

D448,075 S * 9/2001 Klaja-McLaughlin D24/101
D508,992 S * 8/2005 Kahler D24/102
D535,019 S * 1/2007 Stawski D24/101
D556,319 S * 11/2007 Chen D1/106
D569,498 S * 5/2008 Rasmussen D24/102
D632,386 S * 2/2011 Chang D24/101
D644,817 S * 9/2011 Hanna D1/115
D744,635 S * 12/2015 Chang D24/102
D748,240 S * 1/2016 Goode D24/101
D748,241 S * 1/2016 Goode D24/102

* cited by examiner

(21) Appl. No.: **29/557,193**
(22) Filed: **Mar. 7, 2016**
(51) **LOC (10) Cl.** **28-01**
(52) **U.S. Cl.**
USPC **D24/102**
(58) **Field of Classification Search**
USPC D24/100-104, 152, 176, 184; D1/100,
D1/106, 112, 115, 126-128; D23/207;
D28/8.1; 424/400, 451, 464, 467, 474,
424/489
CPC A61K 9/20; A61K 9/167; A61K 9/209;
A61K 9/2077; A61K 9/2081; A61K
9/4891; A61K 9/5078; A61K 8/11
See application file for complete search history.

Primary Examiner — Wan Laymon
Assistant Examiner — Clint A Samuel
(74) *Attorney, Agent, or Firm* — Maureen P. O'Brien;
Jeffrey M. Gold

(57) **CLAIM**

The ornamental design for an oral delivery product, as shown and described.

DESCRIPTION

FIG. 1 is a perspective view of the oral delivery product showing our new design;
FIG. 2 is atop view thereof;
FIG. 3 is a bottom view thereof;
FIG. 4 is a side view thereof;
FIG. 5 is an opposite side view thereof;
FIG. 6 is a front edge thereof; and,
FIG. 7 is a rear edge view thereof.

(56) **References Cited**
U.S. PATENT DOCUMENTS
D284,114 S * 6/1986 Robson D24/102
D284,115 S * 6/1986 Robson D24/102

1 Claim, 3 Drawing Sheets

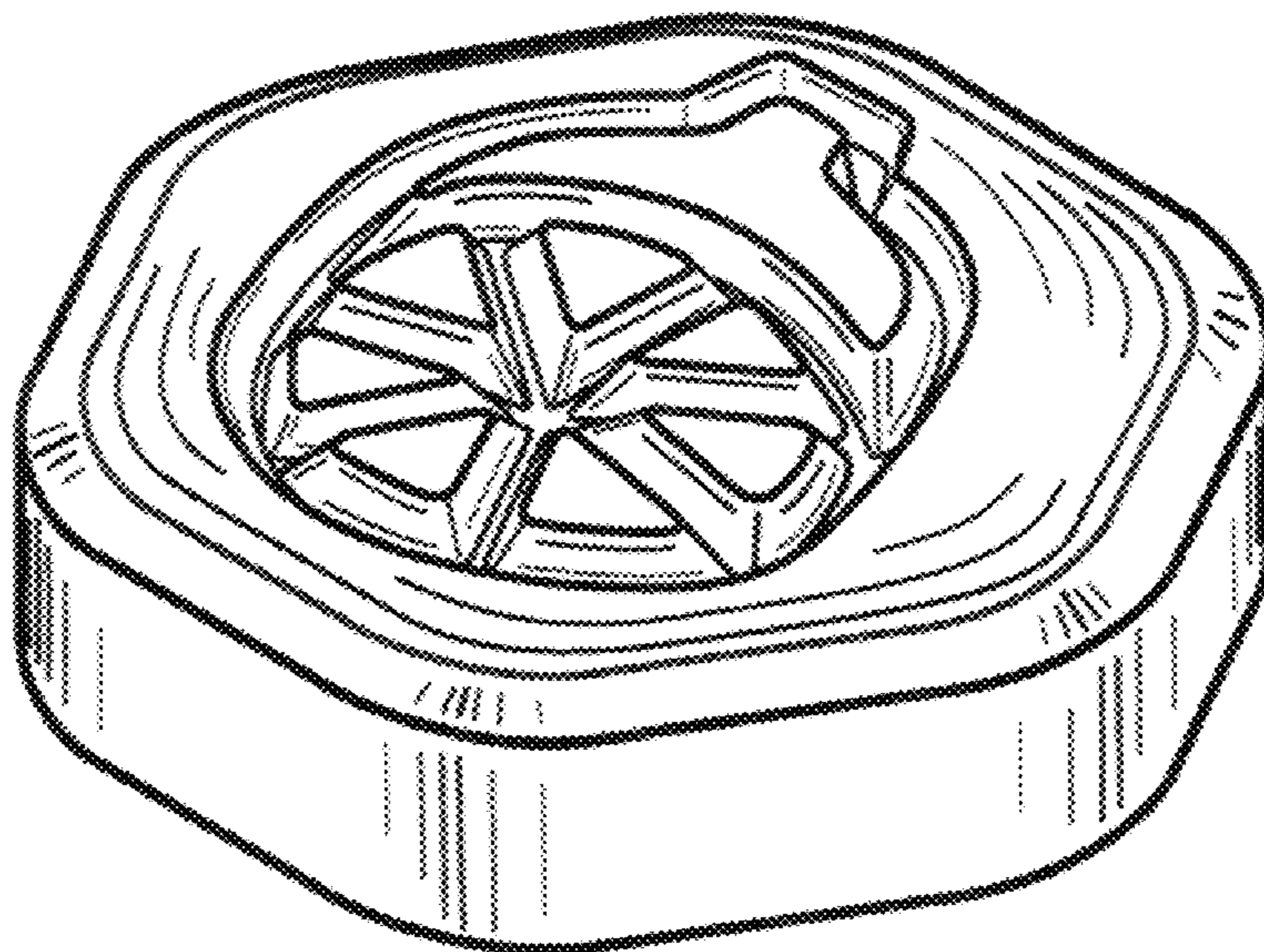


FIG. 1

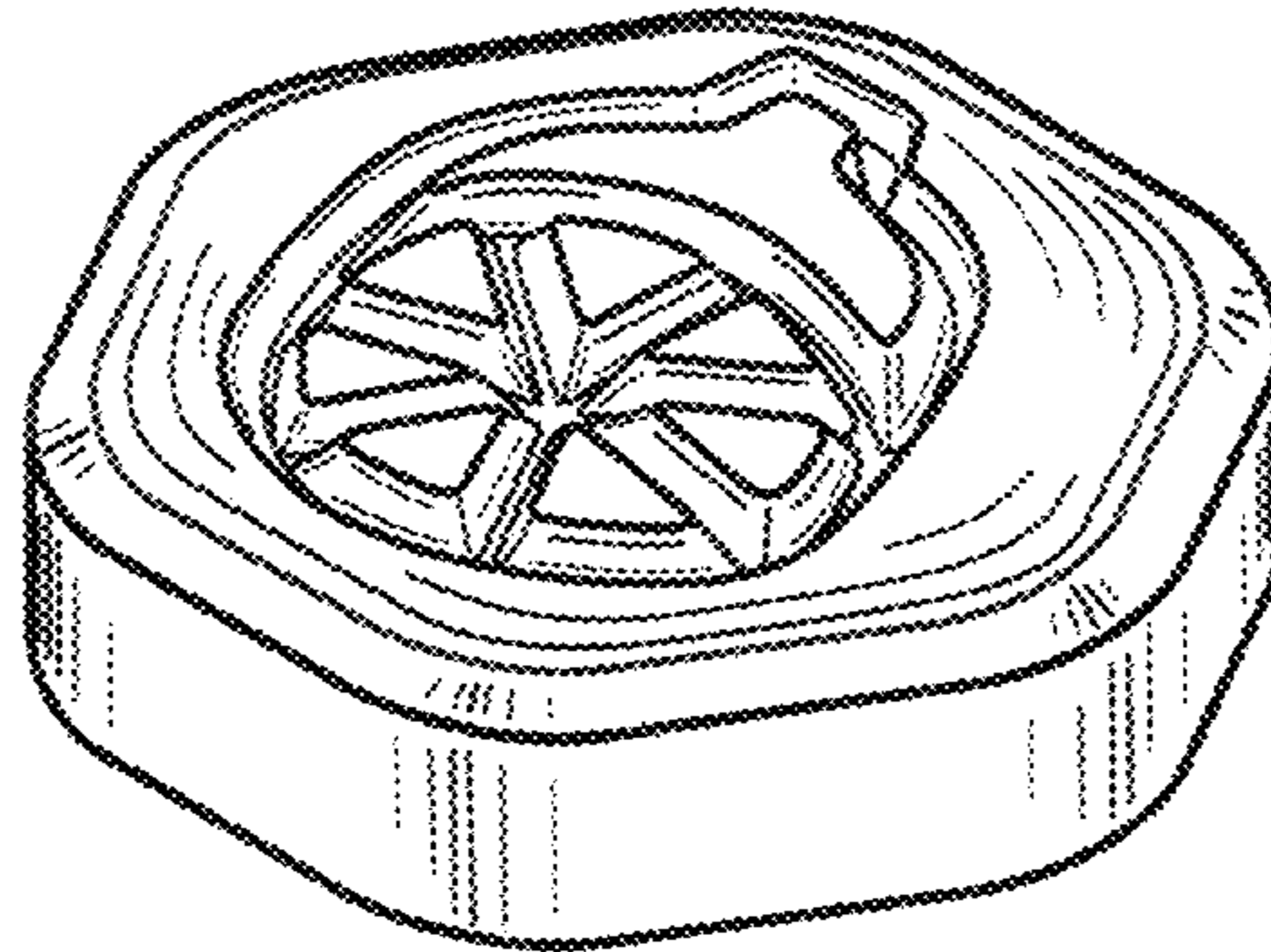


FIG. 2

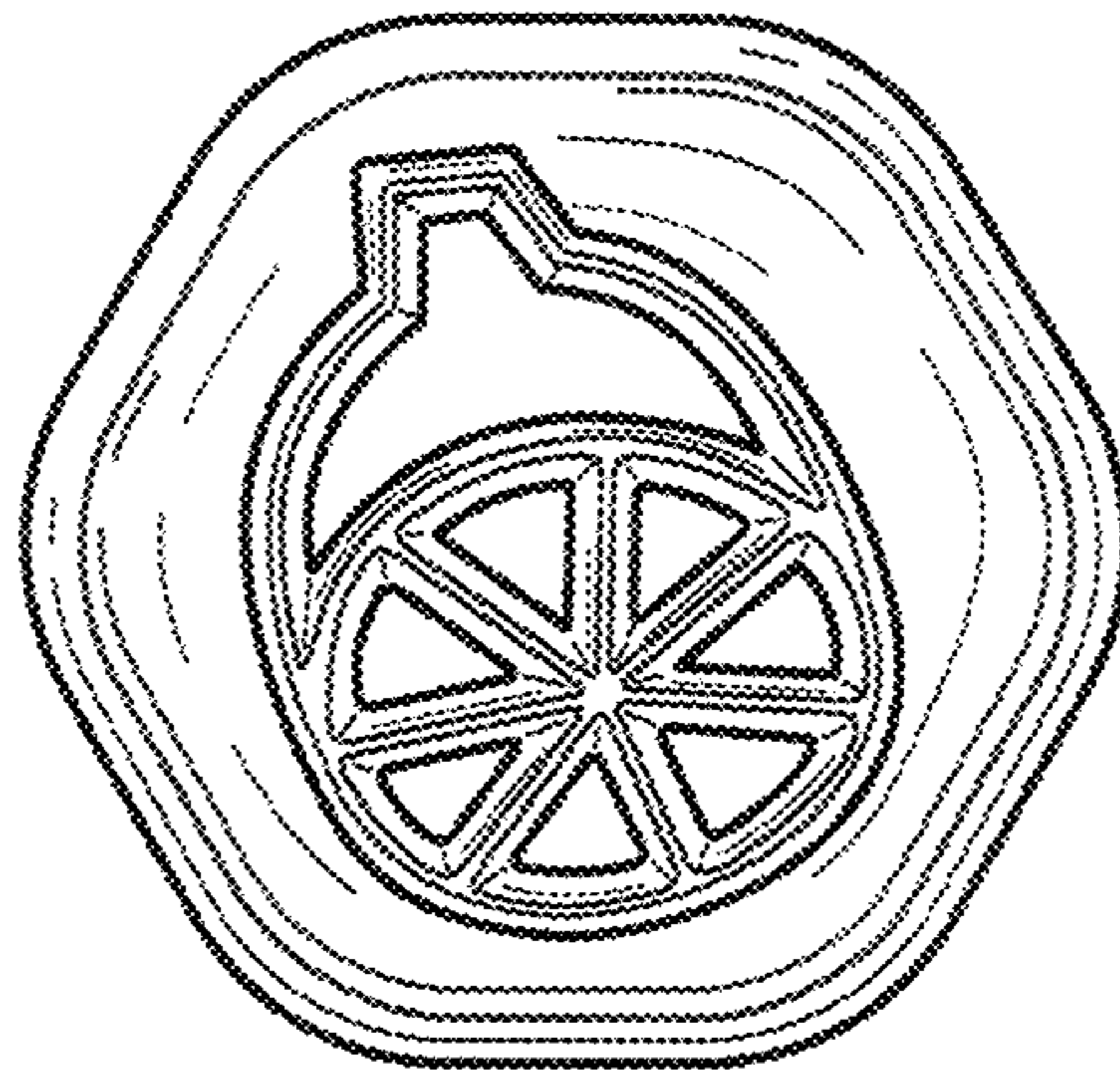


FIG. 3

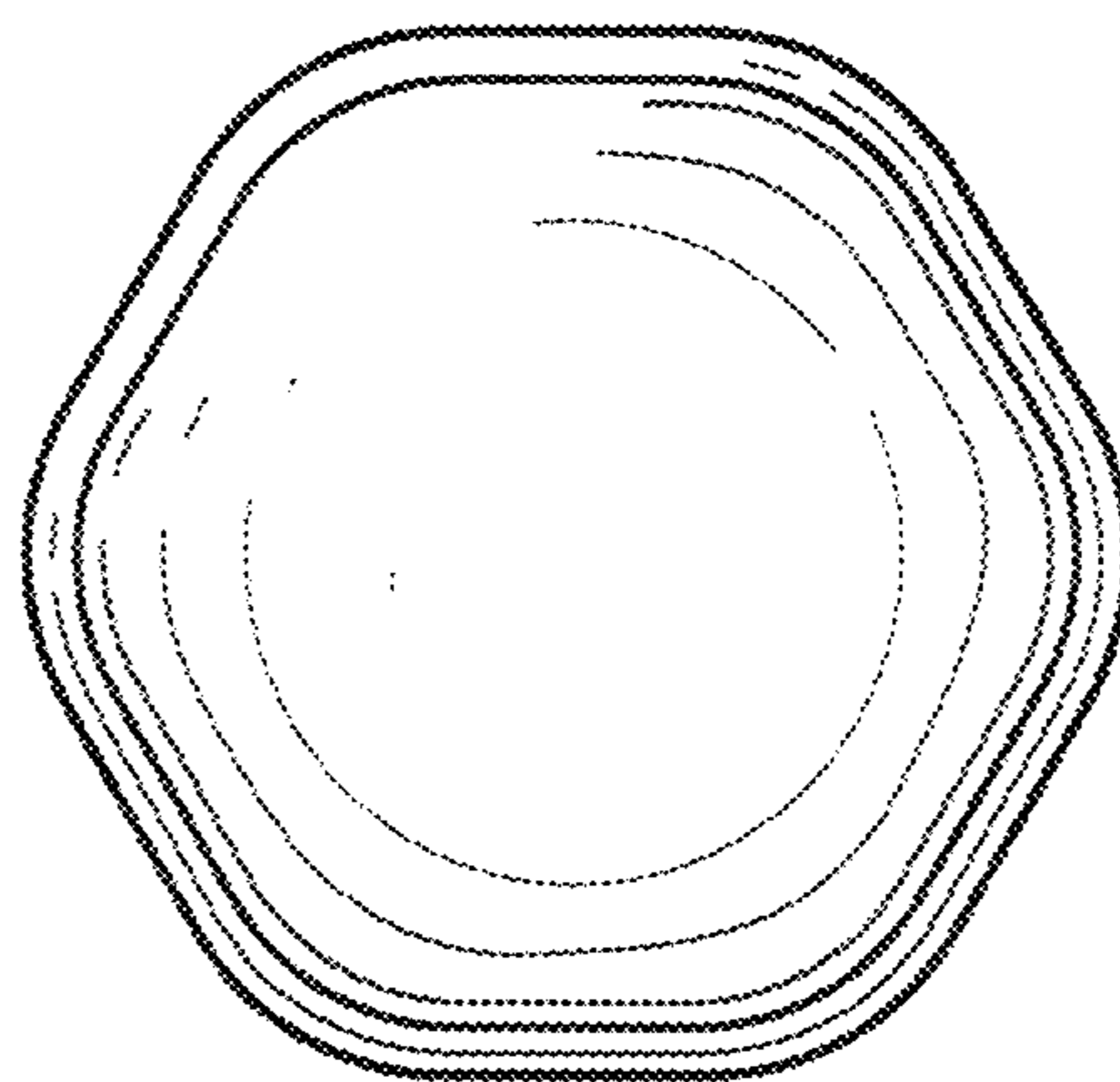


FIG. 4

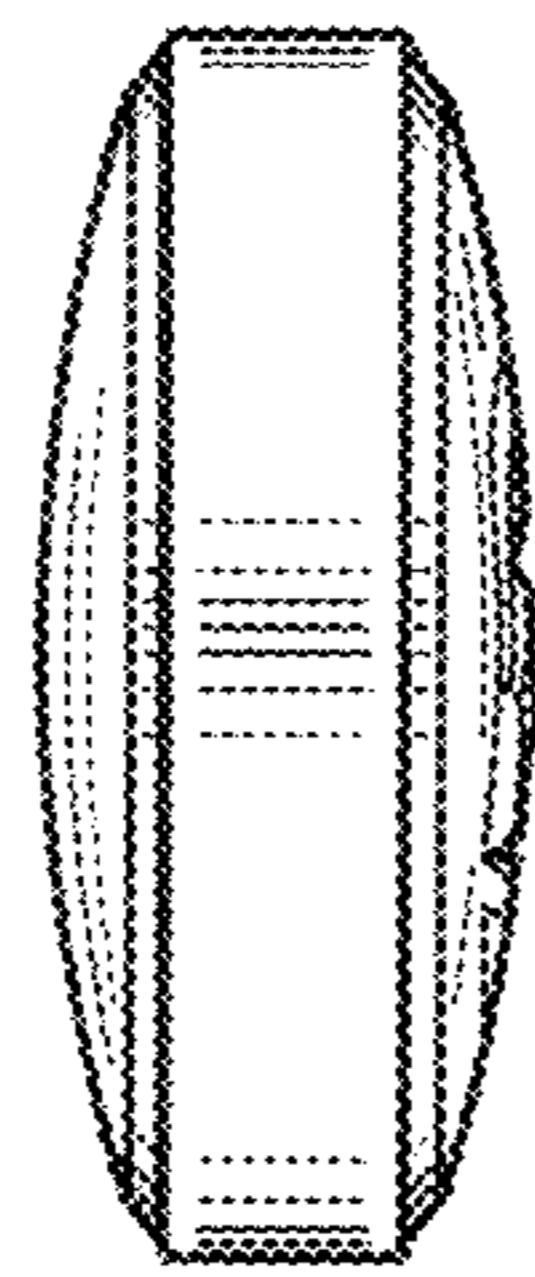


FIG. 5

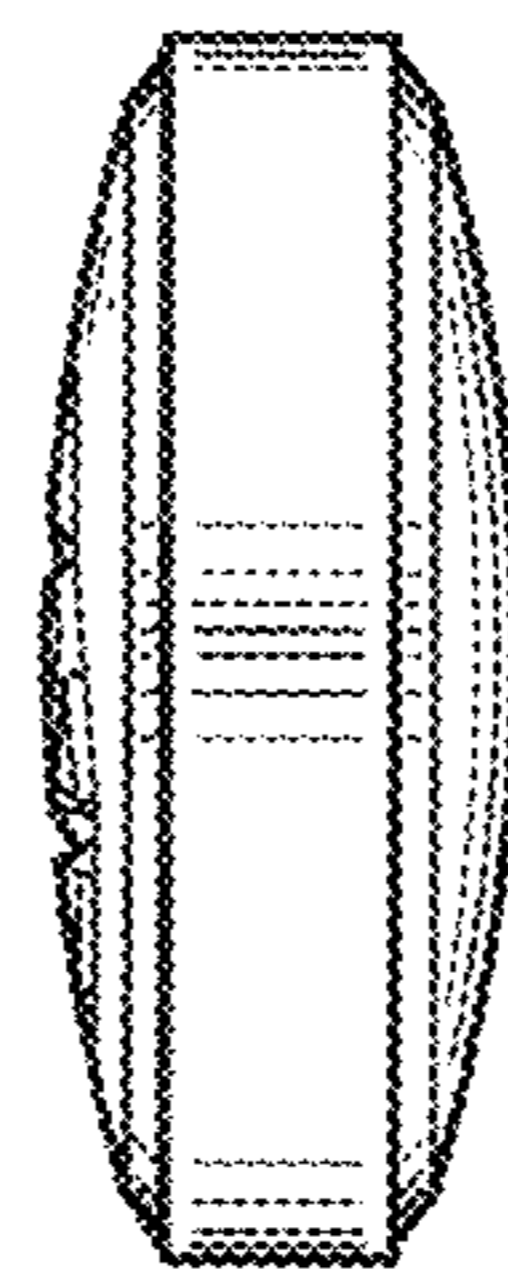


FIG. 6

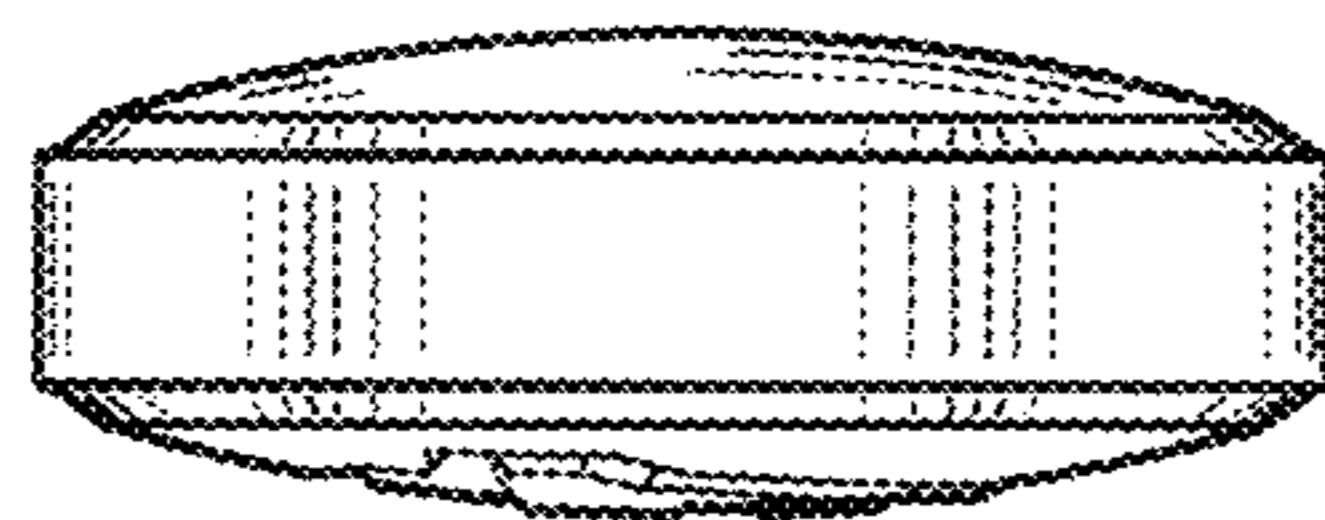


FIG. 7

