



US00D783797S

(12) **United States Design Patent**  
**Badarello et al.**

(10) **Patent No.:** **US D783,797 S**  
(45) **Date of Patent:** **\*\* Apr. 11, 2017**

(54) **CEILING FAN**

D715,420 S \* 10/2014 Funston ..... D23/382  
D728,507 S \* 5/2015 Brandis ..... D14/149  
D760,369 S \* 6/2016 Ertze ..... D23/385

(71) Applicant: **HUNTER FAN COMPANY**,  
Memphis, TN (US)

(72) Inventors: **Christophe Badarello**, Holly Springs,  
MS (US); **Benjamin Scotti Guthrie**,  
Germantown, TN (US)

(73) Assignee: **Hunter Fan Company**, Memphis, TN  
(US)

(\*\*) Term: **15 Years**

(21) Appl. No.: **29/543,785**

(22) Filed: **Oct. 28, 2015**

(51) **LOC (10) Cl.** ..... **23-04**

(52) **U.S. Cl.**  
USPC ..... **D23/385**

(58) **Field of Classification Search**  
USPC ..... D23/370, 355, 314, 414, 371, 377, 385;  
415/121.1; D14/432  
CPC .... F04D 29/329; F04D 29/526; F04D 25/082;  
F04D 29/325; F04D 29/703; F04D  
29/547  
See application file for complete search history.

(56) **References Cited**

**U.S. PATENT DOCUMENTS**

D340,514 S \* 10/1993 Liao ..... D23/328  
5,522,704 A \* 6/1996 Casteel ..... H01R 25/142  
362/404  
D539,894 S \* 4/2007 Bucher ..... D23/377  
D631,148 S \* 1/2011 Benton ..... D23/370  
7,874,798 B2 \* 1/2011 Frampton ..... F04D 25/088  
248/343  
D689,648 S \* 9/2013 Silver ..... D26/118

**OTHER PUBLICATIONS**

<http://www.craftmade.com/Craftmade-MND54ESP3-Espresso-Ceiling-Fan.HTM>. Item Specification for Mondo 54" Ceiling Fan with Blades Product # MND54ESP3, accessed Oct. 28, 2015.  
<http://www.ellingtonfans.com/Ellington-Fans-COL72BP6-Brushed-Pewter-Ceiling-Fan.HTM>, Item Specification for Colossus 72" Ceiling Fan Blades Product # COL72BP6, accessed Oct. 28, 2015.  
<http://www.ellingtonfans.com/Ellington-Fans-UB48BC4C1-Brushed-Chrome-Ceiling-Fan.HTM>, Item Specification for 48" Ceiling Fan with Blades Included Product # UB48BC4C1, accessed Oct. 28, 2015.  
<http://www.craftmade.com/Craftmade-LAP54SSDW5-Steel-Ceiling-Fan.HTM>, Item Specification for La Playa 54" Ceiling Fan with Blades Included Product # LAP54SSDW5, accessed Oct. 28, 2015.

\* cited by examiner

*Primary Examiner* — Cynthia Underwood  
(74) *Attorney, Agent, or Firm* — McGarry Bair PC

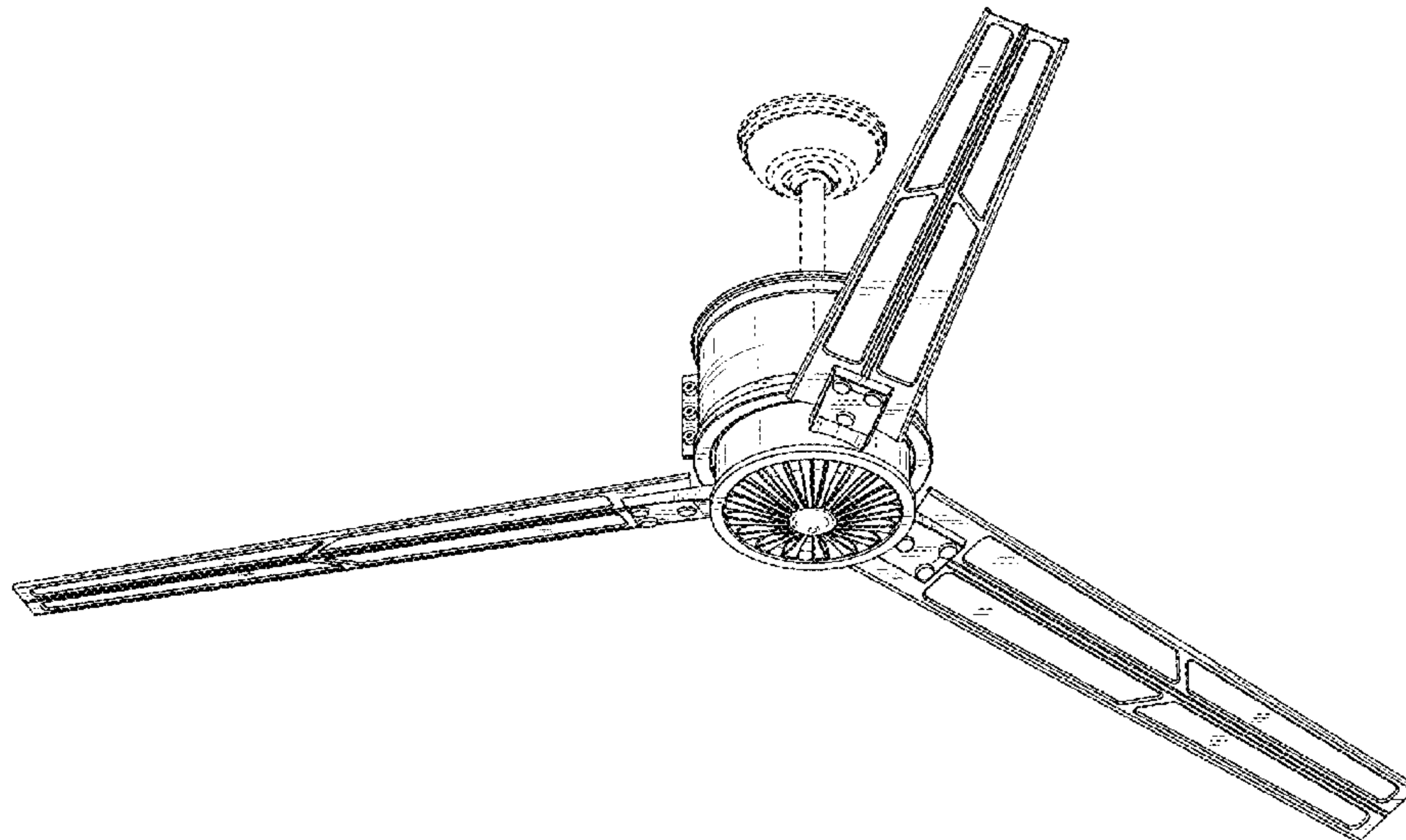
(57) **CLAIM**

The ornamental design for a ceiling fan, as shown and described.

**DESCRIPTION**

FIG. 1 is a bottom perspective view of a ceiling fan; FIG. 2 is a bottom view of the ceiling fan of FIG. 1; FIG. 3 is a front view of the ceiling fan of FIG. 1; and, FIG. 4 is a side view of the ceiling fan of FIG. 1. The broken lines represent portions of the structure that forms no part of the claim.

**1 Claim, 3 Drawing Sheets**



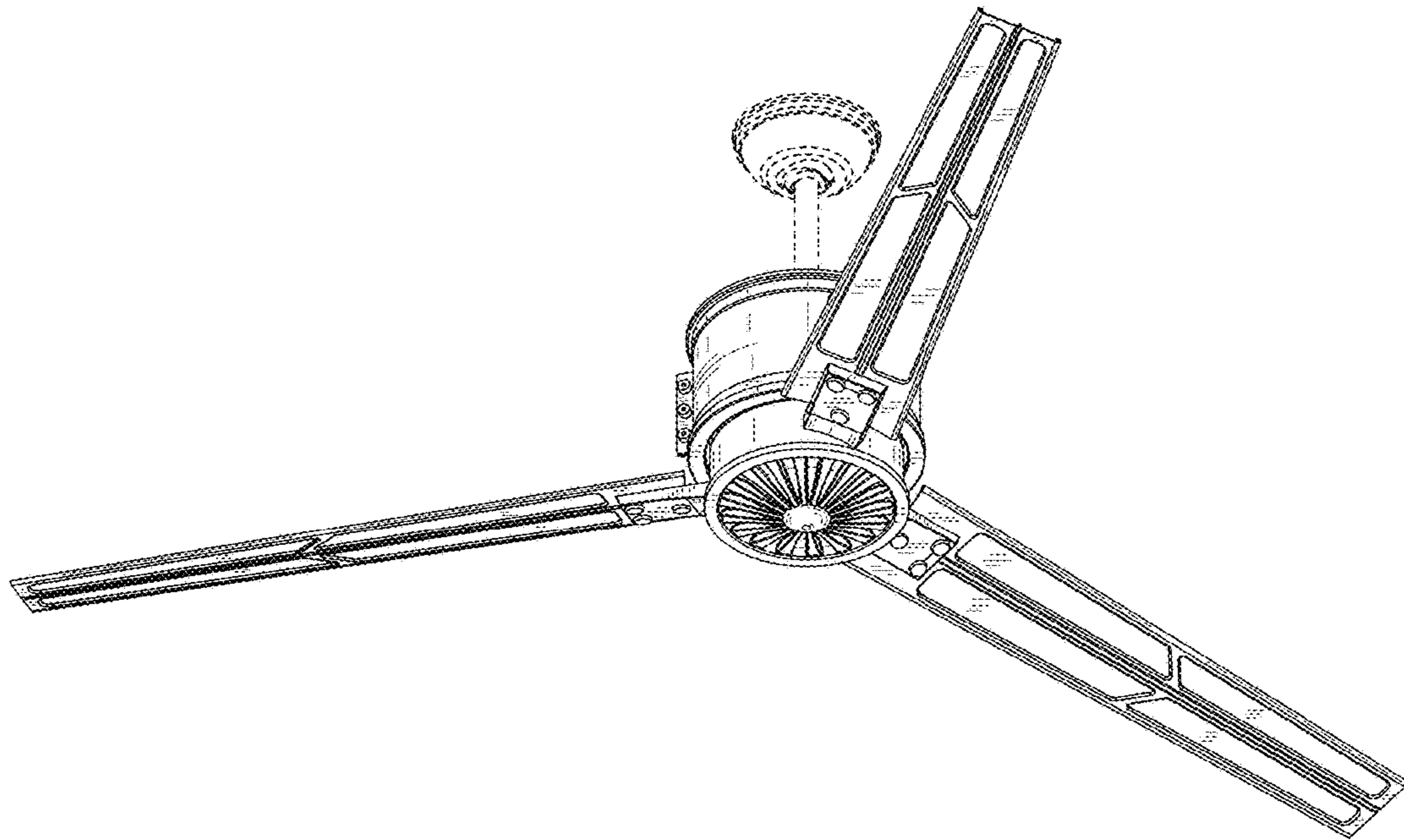
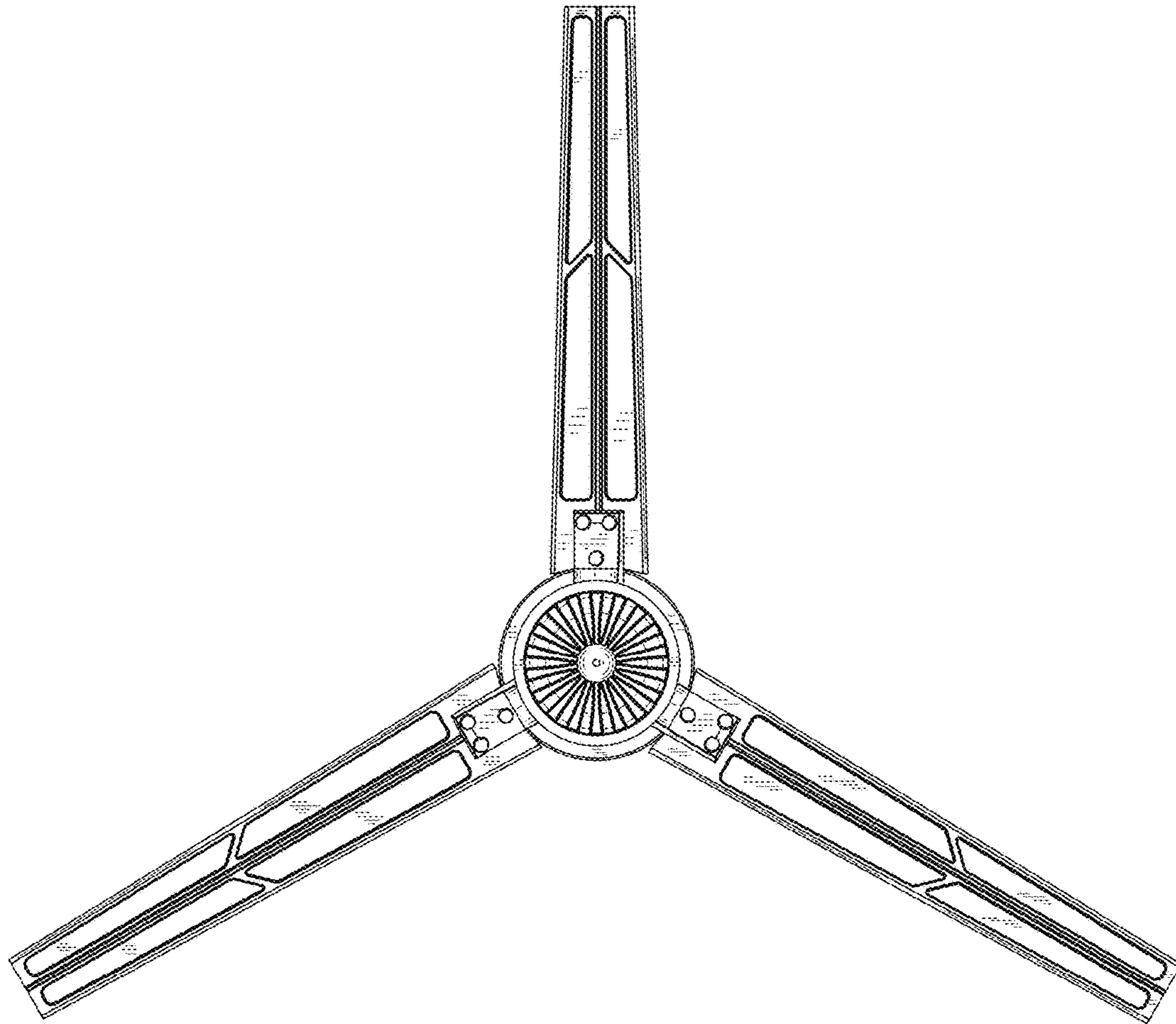


FIG. 1



**FIG. 2**

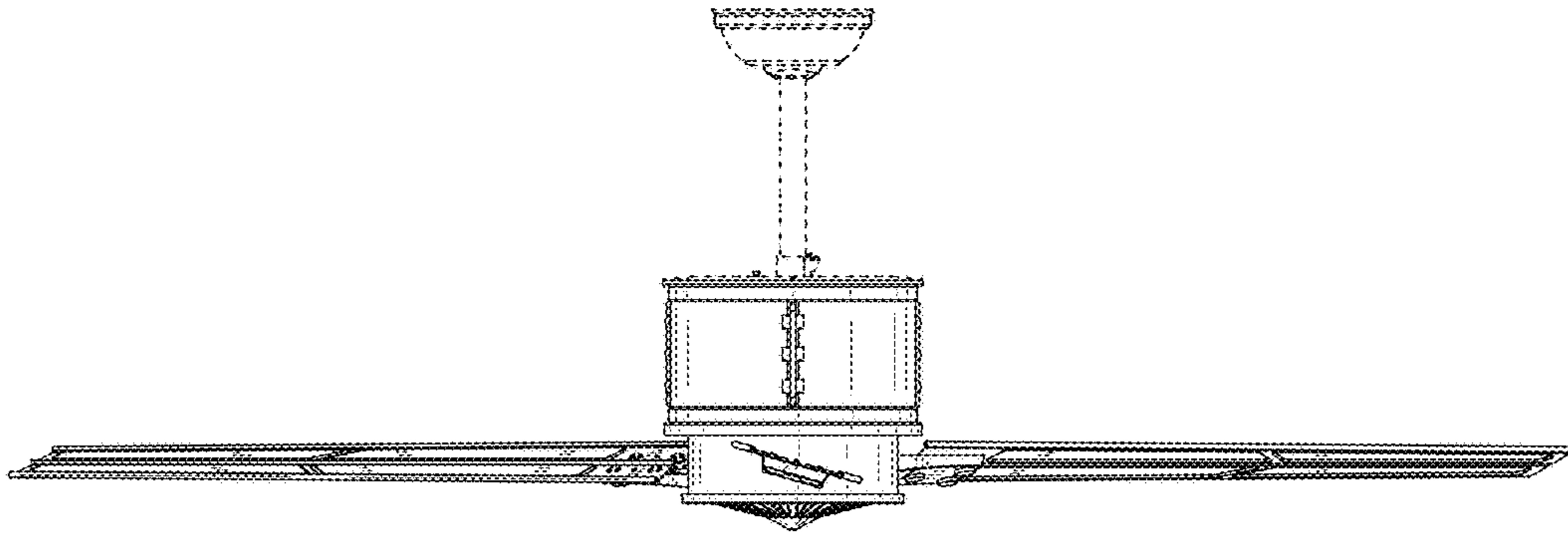


FIG. 3

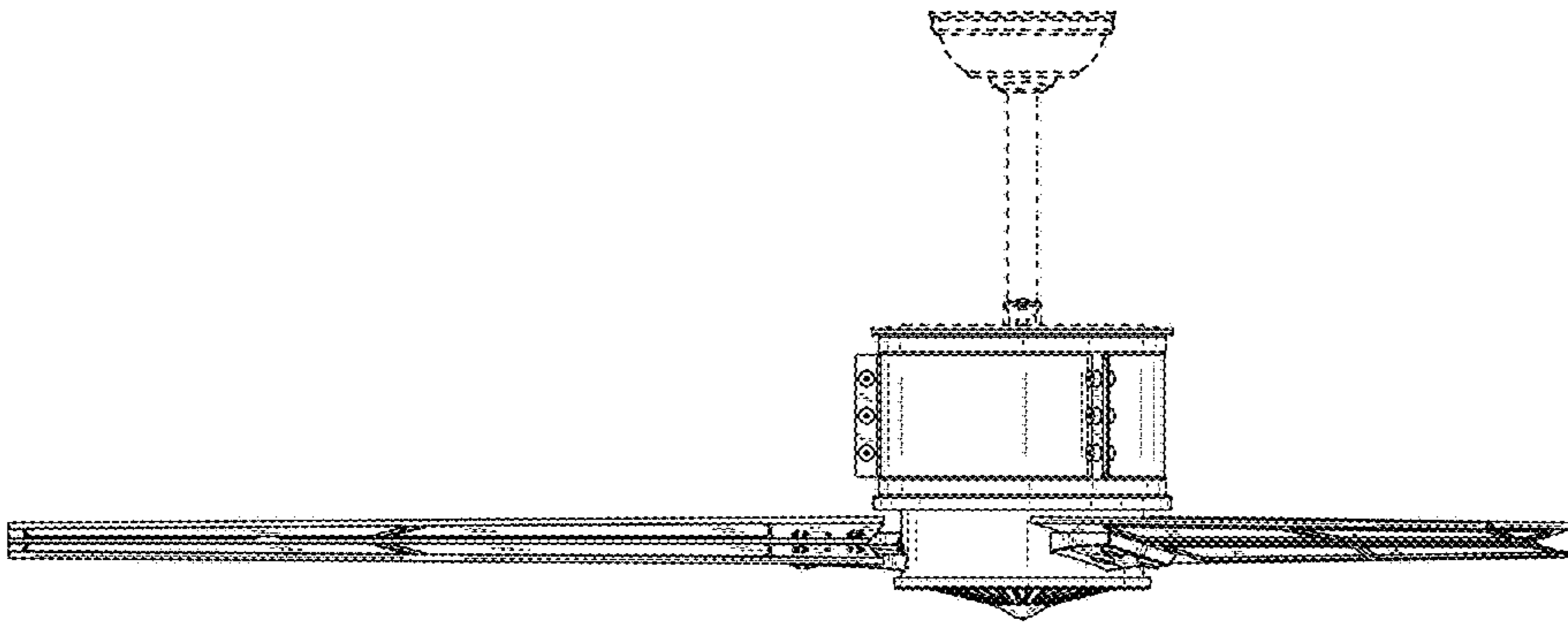


FIG. 4