



US00D783796S

(12) **United States Design Patent** (10) **Patent No.:** **US D783,796 S**
Badarello et al. (45) **Date of Patent:** **** Apr. 11, 2017**

(54) **FAN**

(71) Applicant: **HUNTER FAN COMPANY**,
Memphis, TN (US)

(72) Inventors: **Christophe Badarello**, Holly Springs,
MS (US); **Charles William Botkin**,
Cordova, TN (US)

(73) Assignee: **Hunter Fan Company**, Memphis, TN
(US)

(**) Term: **15 Years**

(21) Appl. No.: **29/538,530**

(22) Filed: **Sep. 4, 2015**

(51) **LOC (10) Cl.** **23-04**

(52) **U.S. Cl.**
USPC **D23/385**

(58) **Field of Classification Search**
USPC D23/370, 355, 414, 377, 385, 314
CPC F04D 29/329; F04D 29/526; F04D 25/082;
F04D 29/325; F04D 29/703; F04D
29/547

See application file for complete search history.

(56) **References Cited**

U.S. PATENT DOCUMENTS

D304,229	S	*	10/1989	Rezek	D23/377
D377,975	S	*	2/1997	Young	D23/377
D430,280	S	*	8/2000	Huang	D23/377
D476,728	S	*	7/2003	Gajewski	D23/377
D758,560	S	*	6/2016	Gajewski	D23/385

* cited by examiner

Primary Examiner — Cynthia Underwood

(74) *Attorney, Agent, or Firm* — McGarry Bair PC

(57) **CLAIM**

The ornamental design for a fan, as shown and described.

DESCRIPTION

FIG. 1 is a bottom perspective view of a fan according to a first embodiment.

FIG. 2 is a bottom view of the fan of FIG. 1.

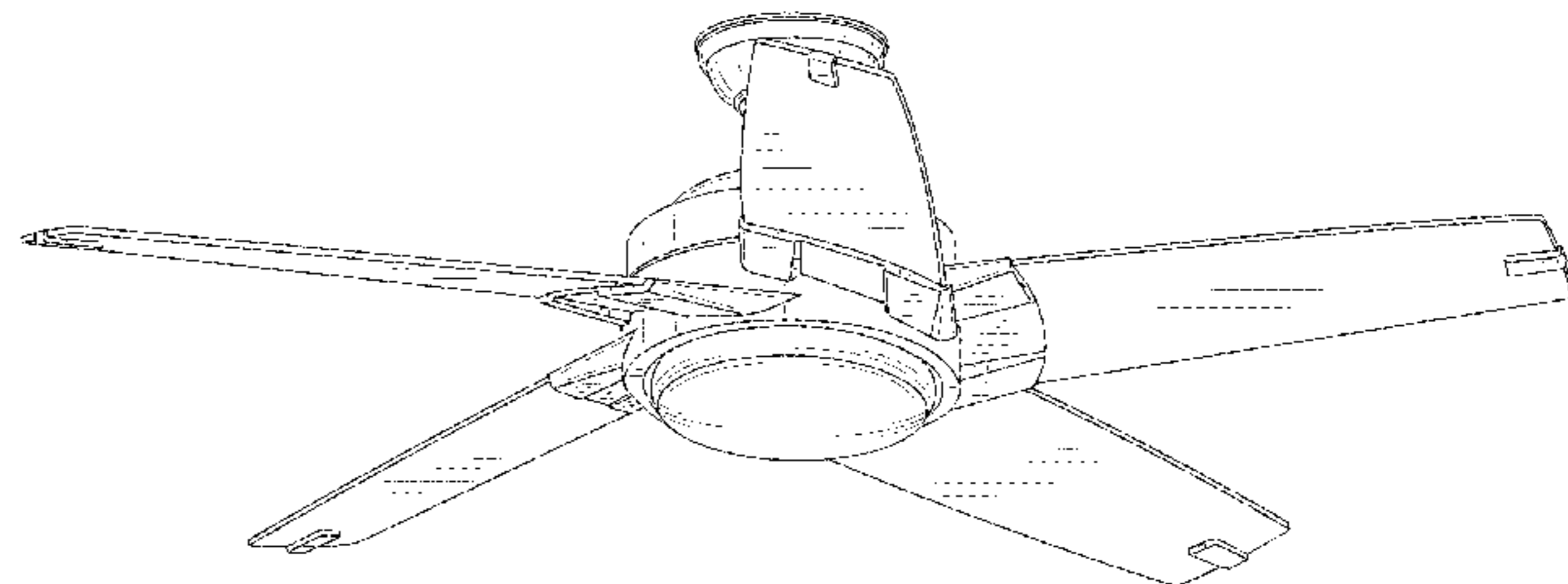
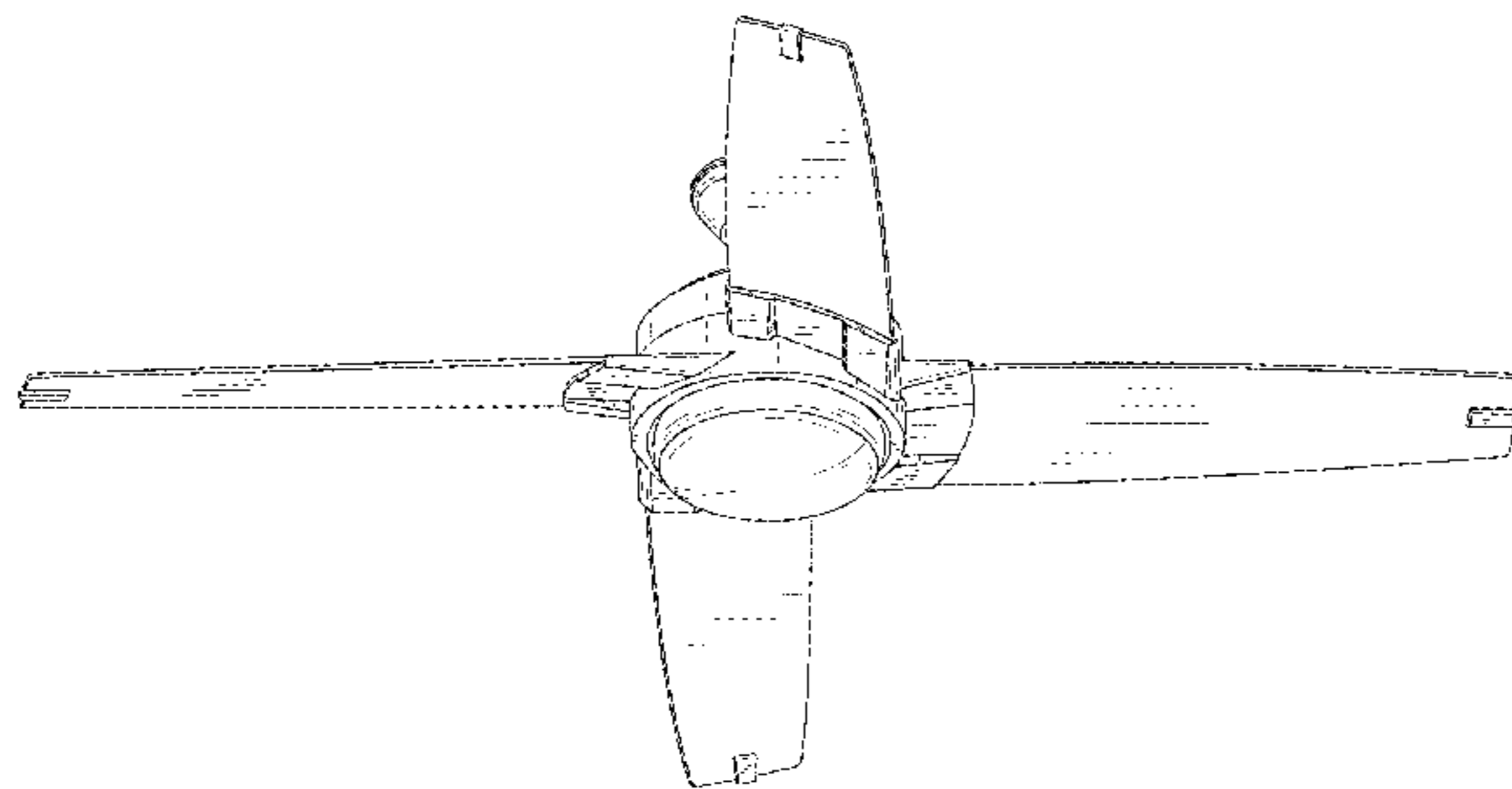
FIG. 3 is a side view of the fan of FIG. 1.

FIG. 4 is a bottom perspective view of a fan according to a second embodiment.

FIG. 5 is a bottom view of the fan of FIG. 4; and,

FIG. 6 is a side view of the fan of FIG. 4.

1 Claim, 6 Drawing Sheets



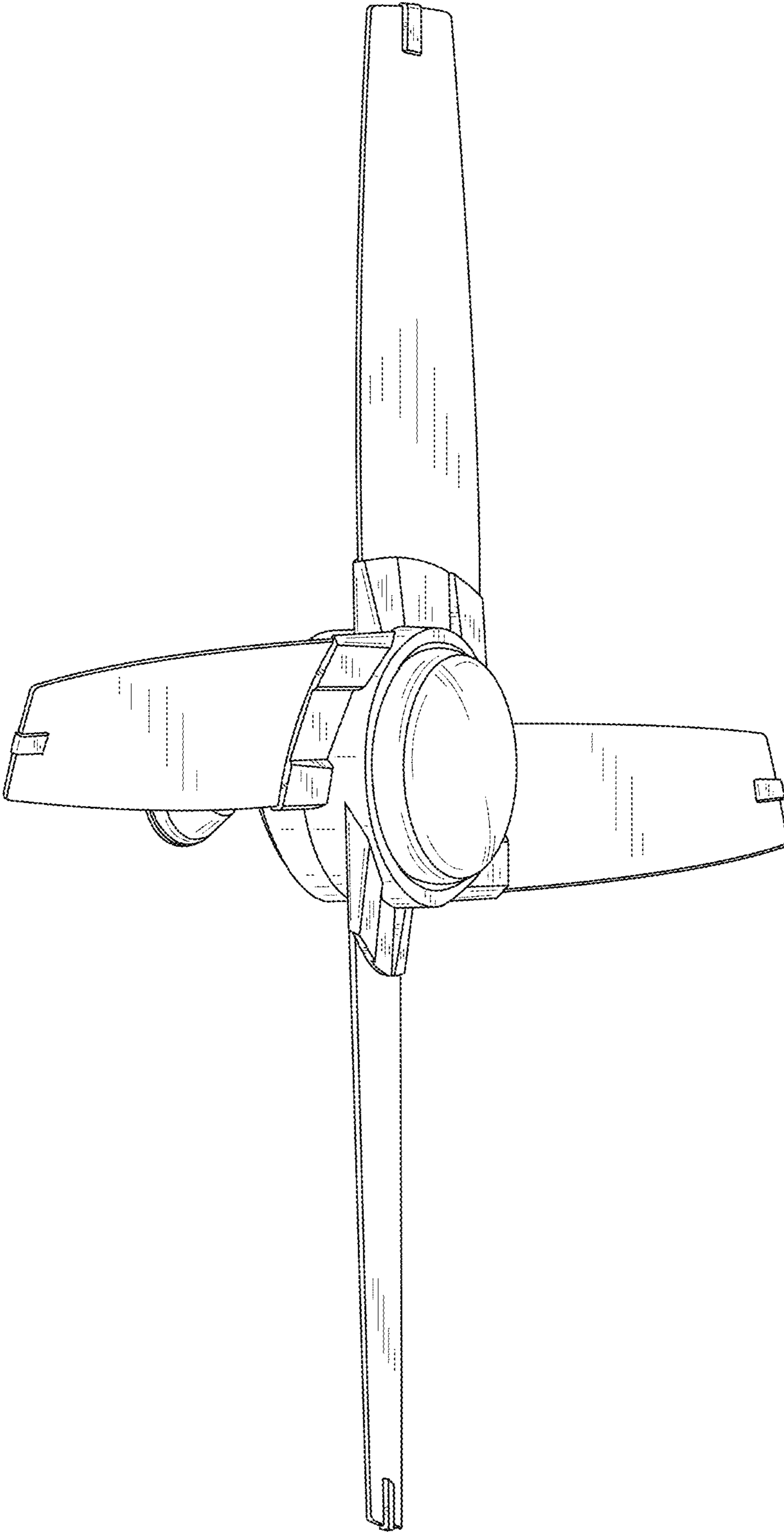


FIG. 1

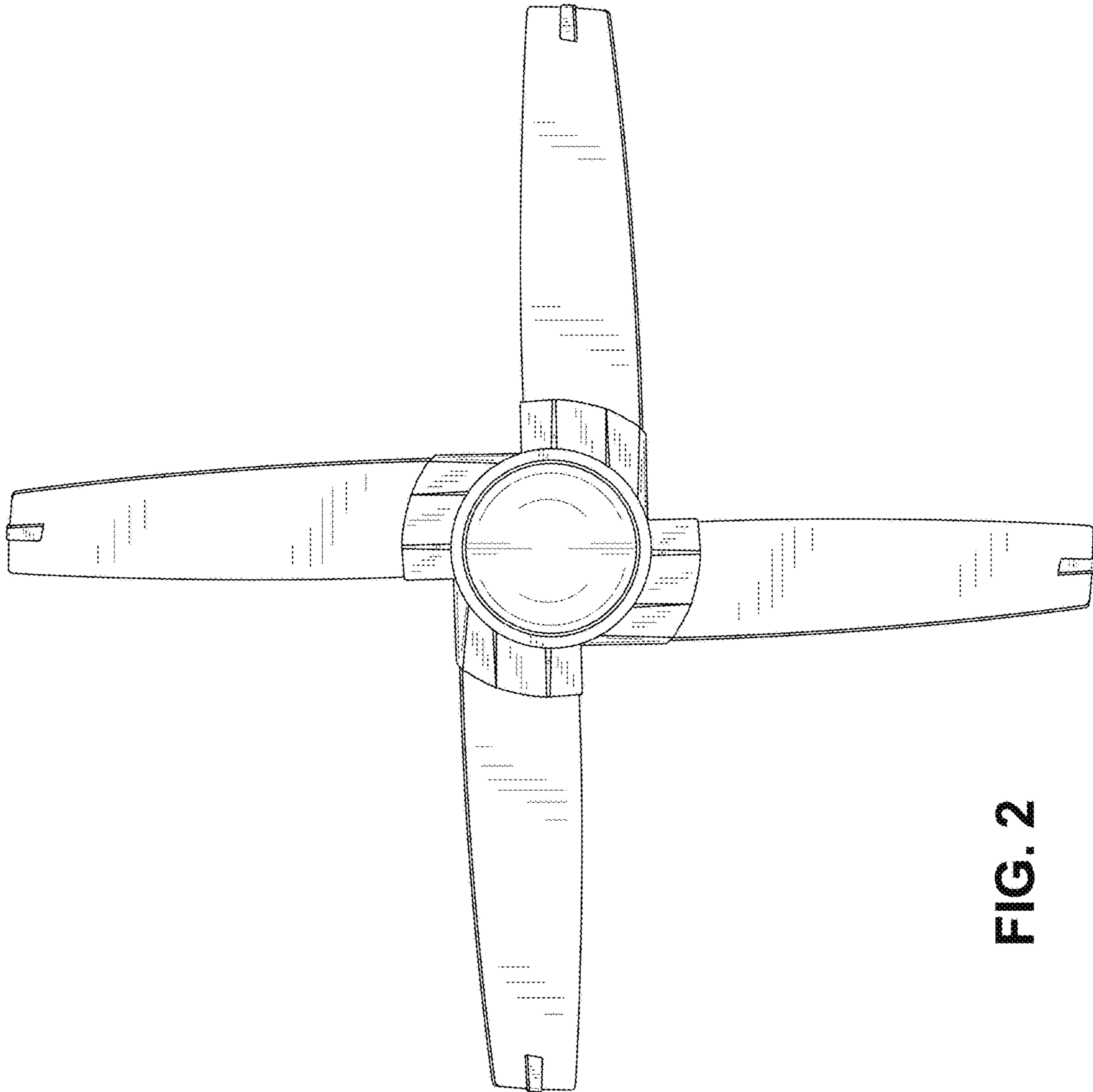


FIG. 2

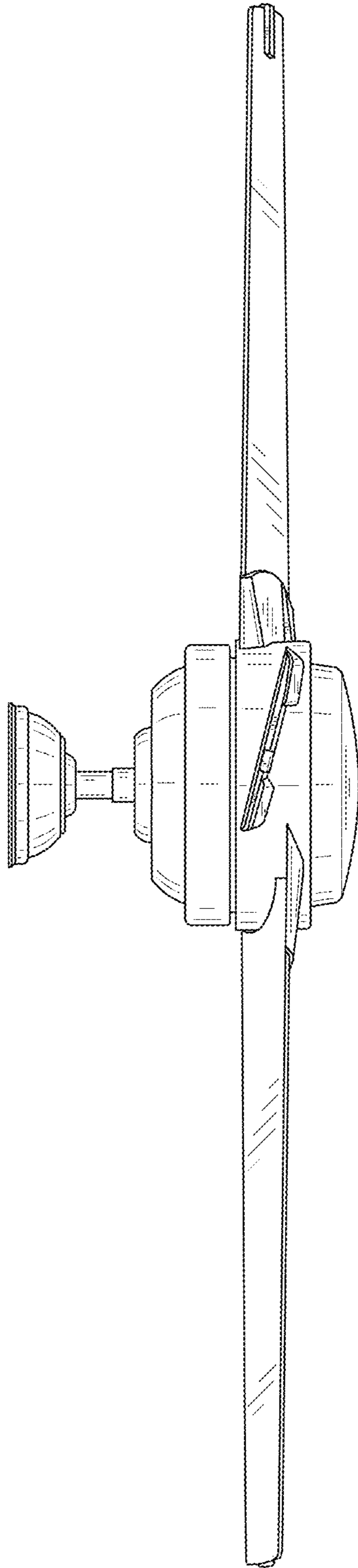


FIG. 3

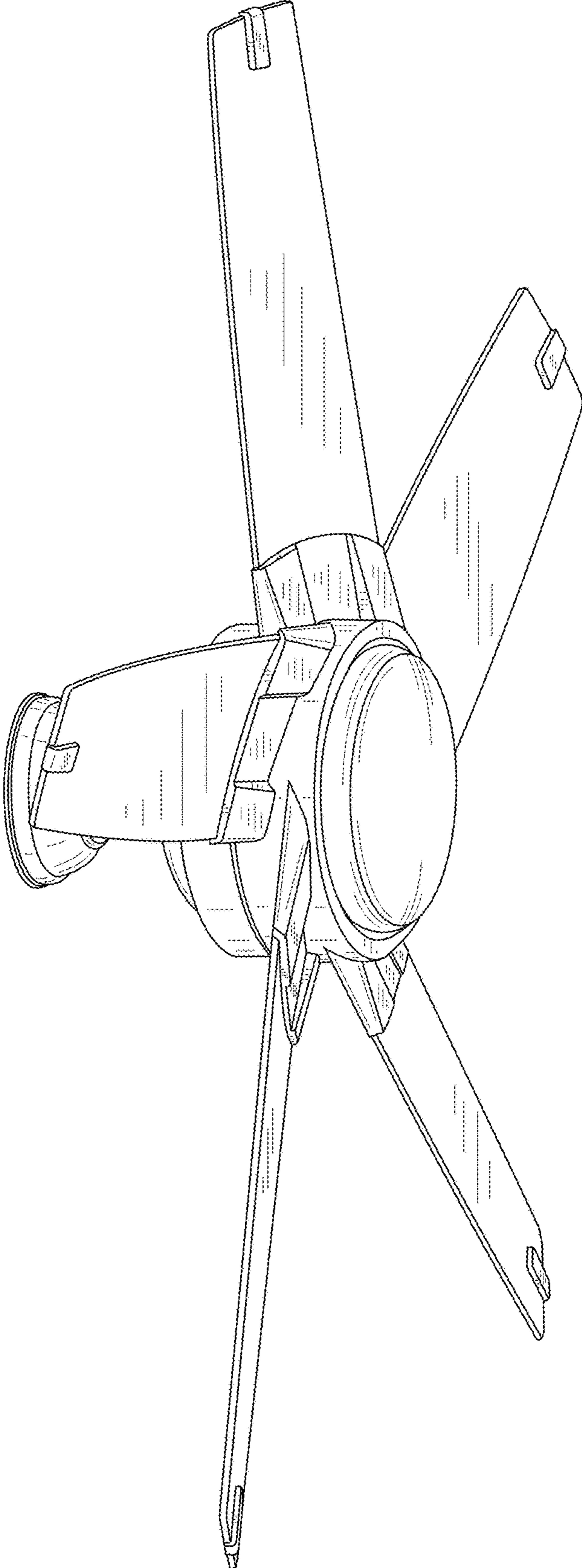


FIG. 4

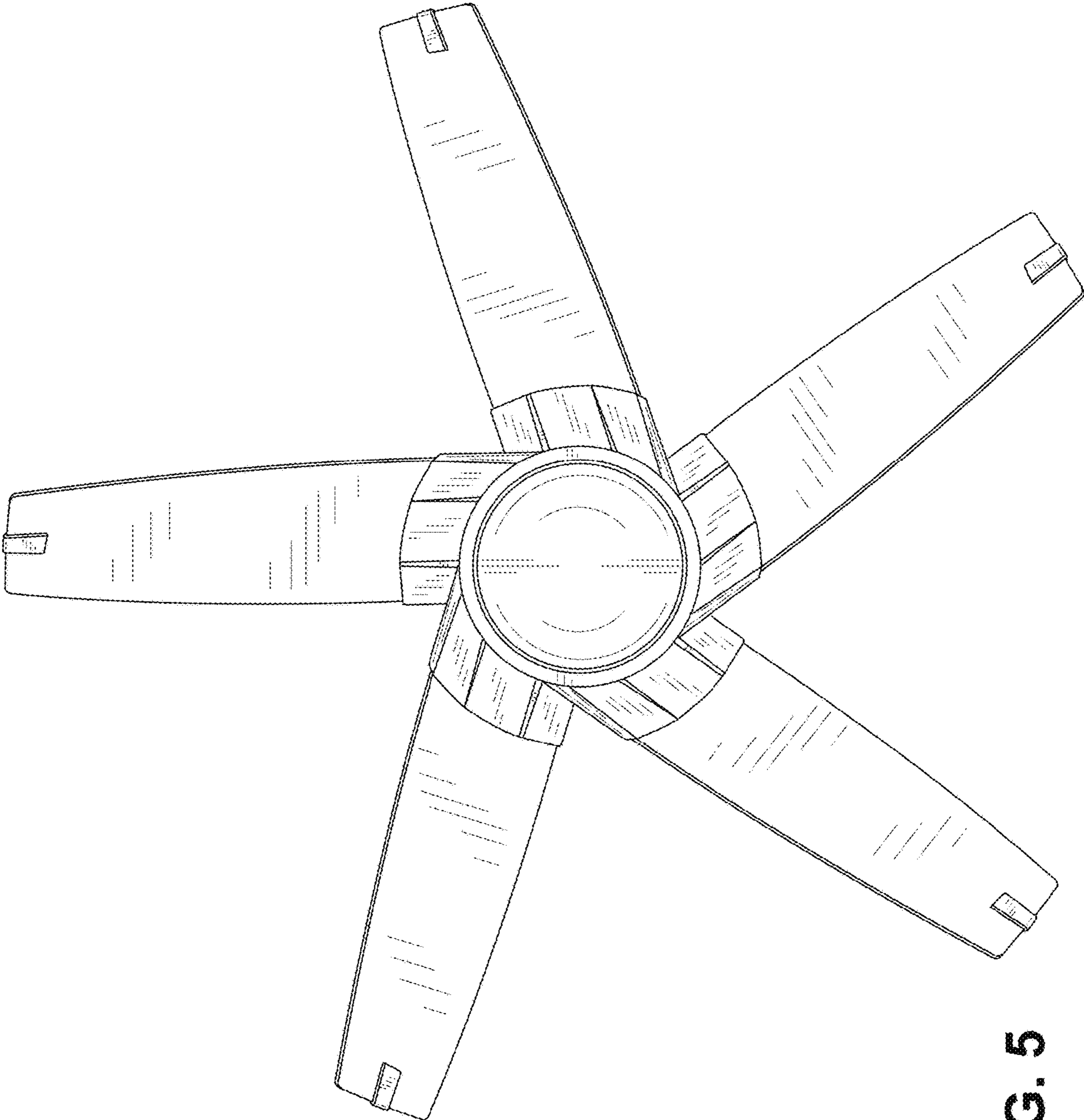


FIG. 5

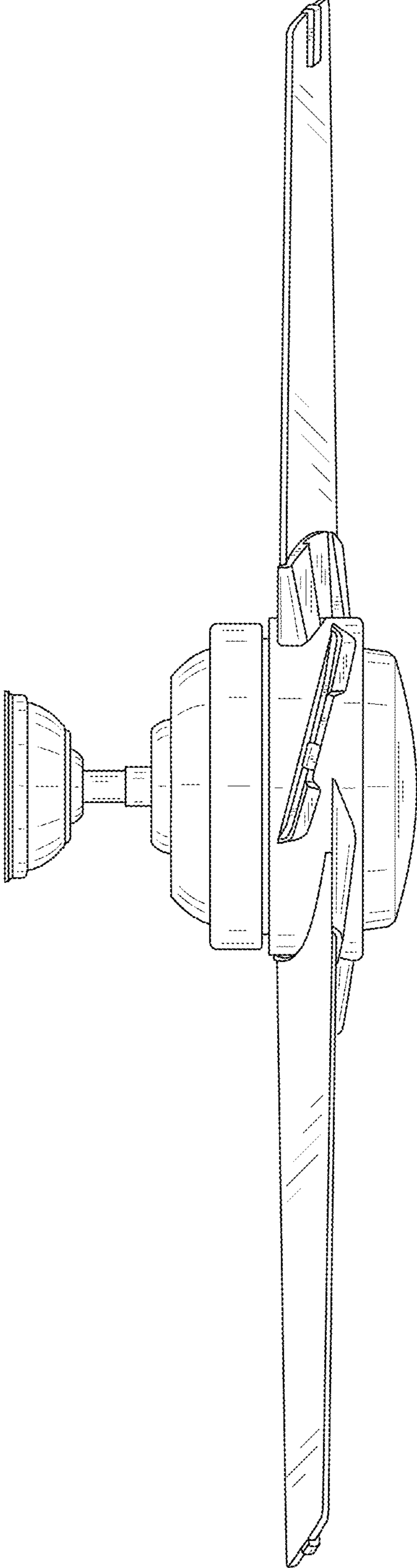


FIG. 6