



US00D783792S

(12) **United States Design Patent** (10) **Patent No.:** **US D783,792 S**
Göransson (45) **Date of Patent:** **** *Apr. 11, 2017**

(54) **AIR PURIFIER**

(56) **References Cited**

(71) Applicant: **Toul Meditech AB**, Västerås (SE)

U.S. PATENT DOCUMENTS

(72) Inventor: **Magnus Göransson**, Malmö (SE)

3,820,536 A *	6/1974	Anspach, Jr. et al.	A61G 13/108 128/202.13
D342,568 S *	12/1993	Rose	D23/365
D417,299 S *	11/1999	Hussaini	D26/29
D427,299 S *	6/2000	Haslebacher	D23/355
6,099,607 A *	8/2000	Haslebacher	F24F 3/1607 55/356
D572,356 S *	7/2008	Harber	D23/364
D612,035 S *	3/2010	Borgi	D23/355
D615,179 S *	5/2010	Borgi	D23/355
D702,840 S *	4/2014	Blomquist	D24/164

(73) Assignee: **TOUL MEDITECH AB** (SE)

(*) Notice: This patent is subject to a terminal disclaimer.

(**) Term: **14 Years**

(21) Appl. No.: **29/520,256**

(22) Filed: **Mar. 12, 2015**

(30) **Foreign Application Priority Data**

Sep. 12, 2014 (EM)	002537217-0001
Sep. 12, 2014 (EM)	002537217-0002
Sep. 12, 2014 (EM)	002537217-0003

(51) **LOC (10) Cl.** **23-04**

(52) **U.S. Cl.**
USPC **D23/364**

(58) **Field of Classification Search**
 USPC D23/355, 356, 359, 360, 364, 366, 368,
 D23/386, 332; D15/79; 55/356, 473,
 55/504; 422/120, 122; 96/97; 26/32
 CPC .. B01D 47/00; B01D 47/027; B01D 2221/02;
 B01D 2259/4508; B03C 3/155; F24F
 3/16; F24F 13/20; F24F 13/28; F24F
 2001/0096; F24F 3/1405; F24F 3/1603;
 F24F 13/222

See application file for complete search history.

* cited by examiner

Primary Examiner — Ralf Seifert

(74) *Attorney, Agent, or Firm* — Fox Rothschild LLP

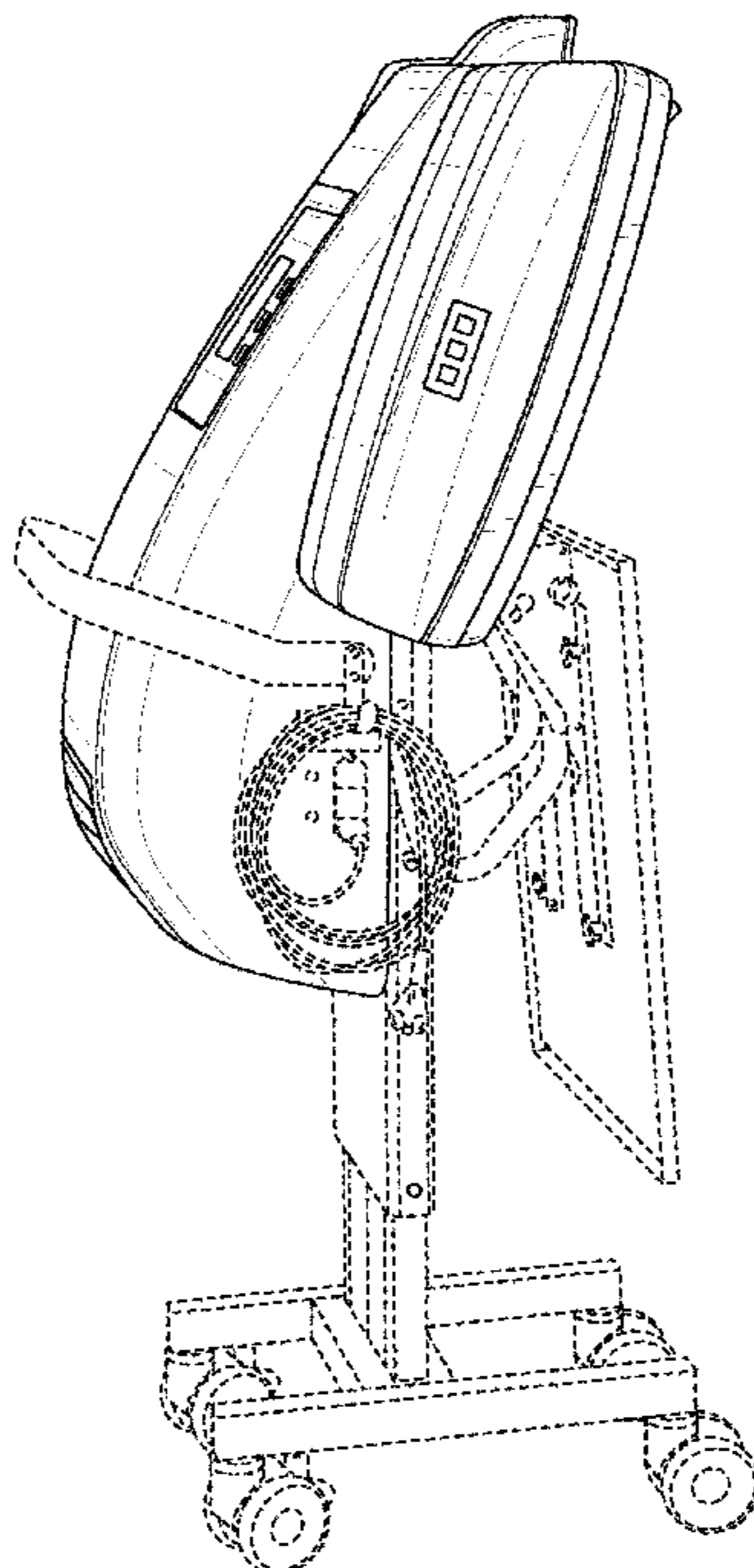
(57) **CLAIM**

The ornamental design for air purifier, as shown and described.

DESCRIPTION

FIG. 1 is a front-right perspective view of an air purifier showing my new design;
 FIG. 2 is a left side view thereof;
 FIG. 3 is a front-right perspective view thereof;
 FIG. 4 rear-left perspective view thereof; and,
 FIG. 5 is a front view thereof.
 The surface ornamentation, which are the portions as shown in broken line, are shown for the purpose of illustrating environmental structure, and forms no part of the claimed design.

1 Claim, 5 Drawing Sheets



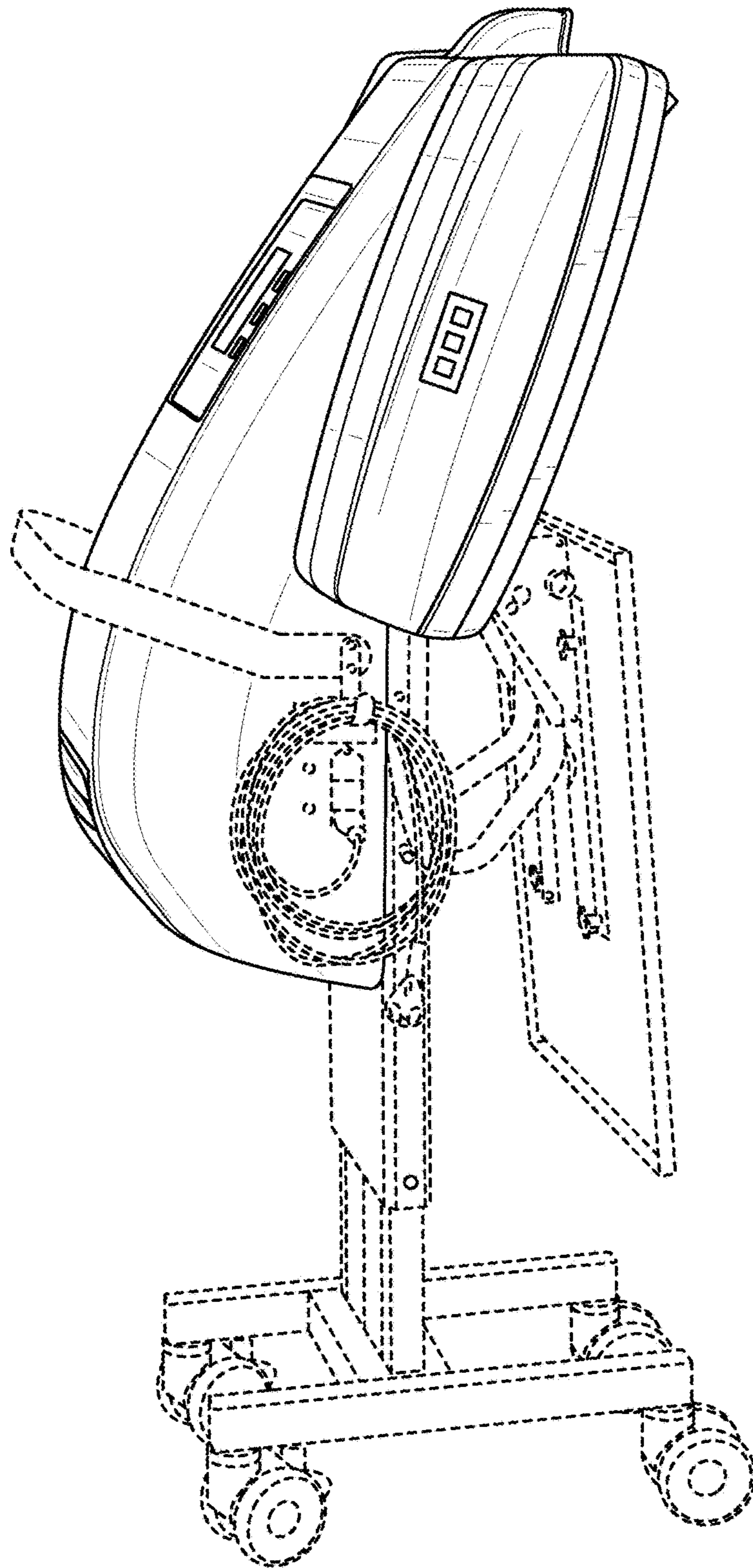


FIG. 1

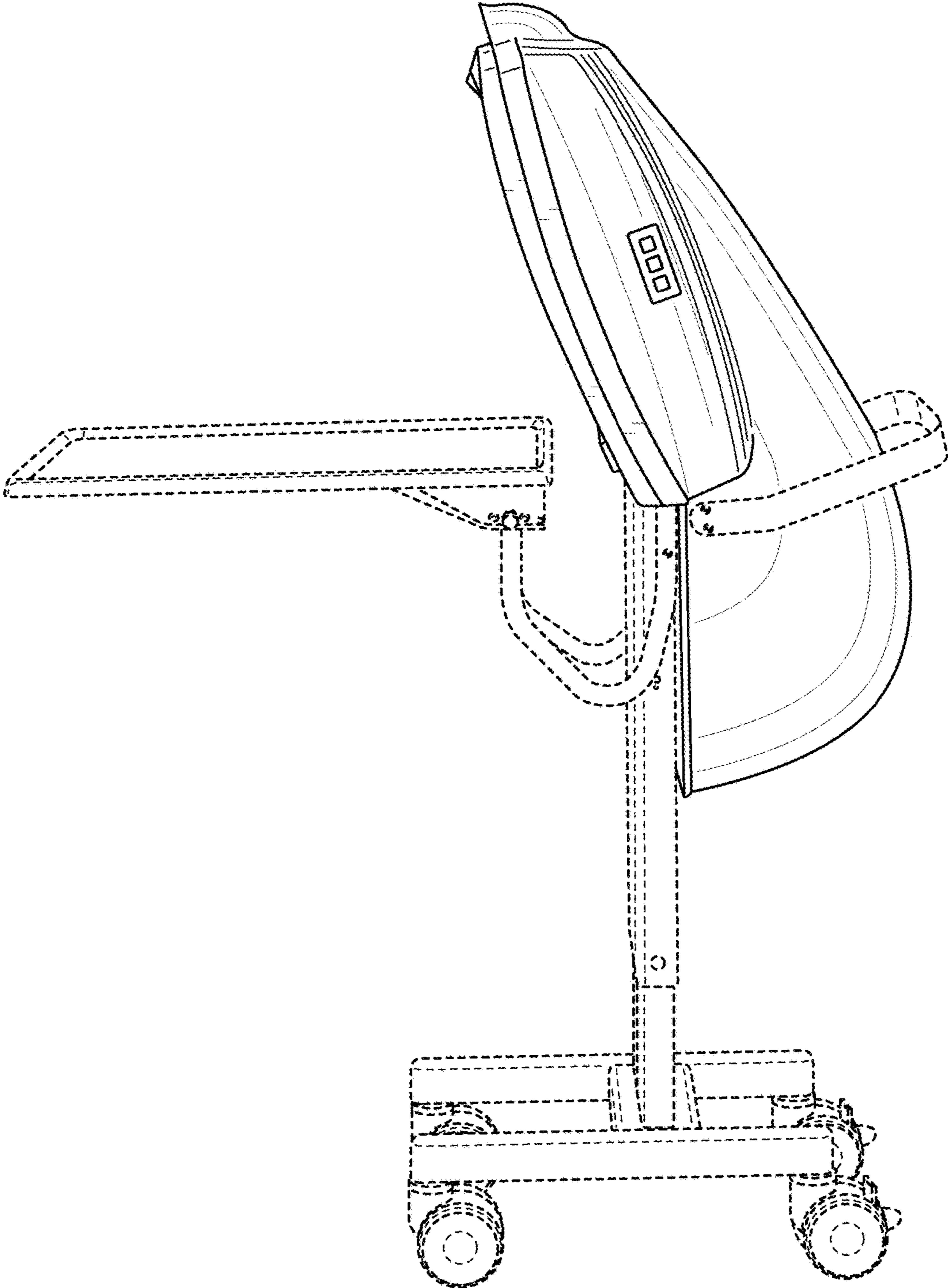


FIG. 2

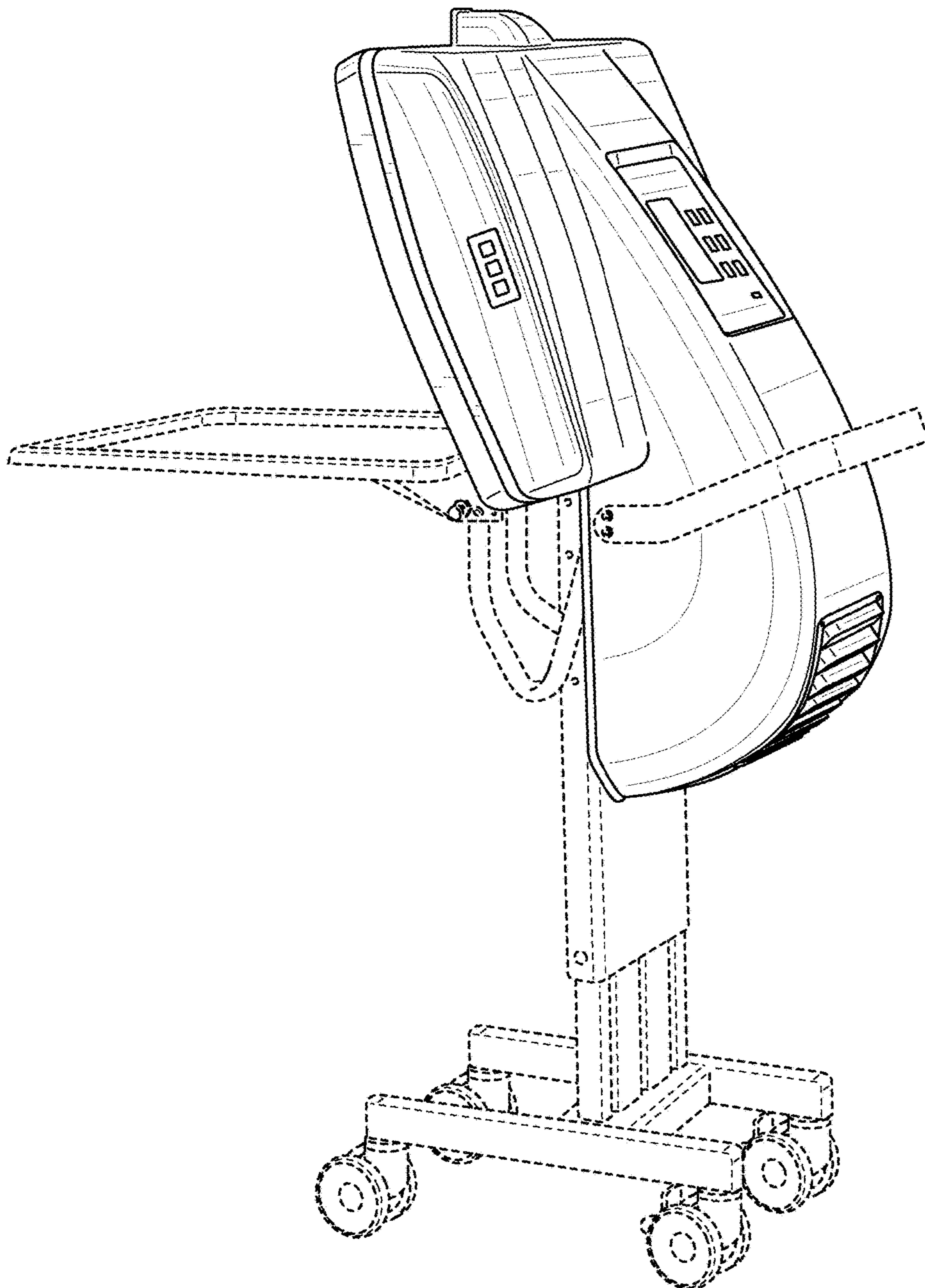


FIG.3

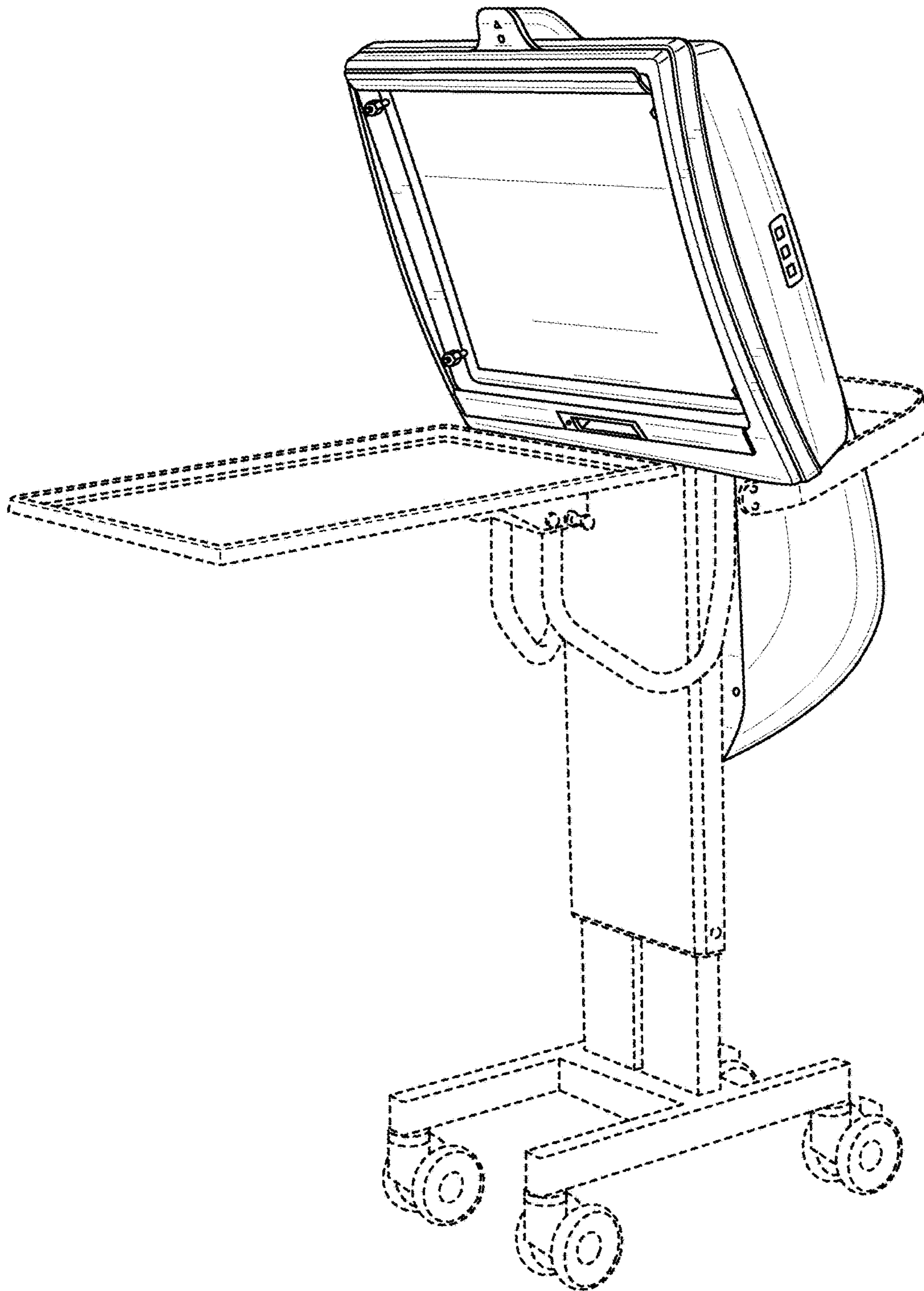


FIG. 4

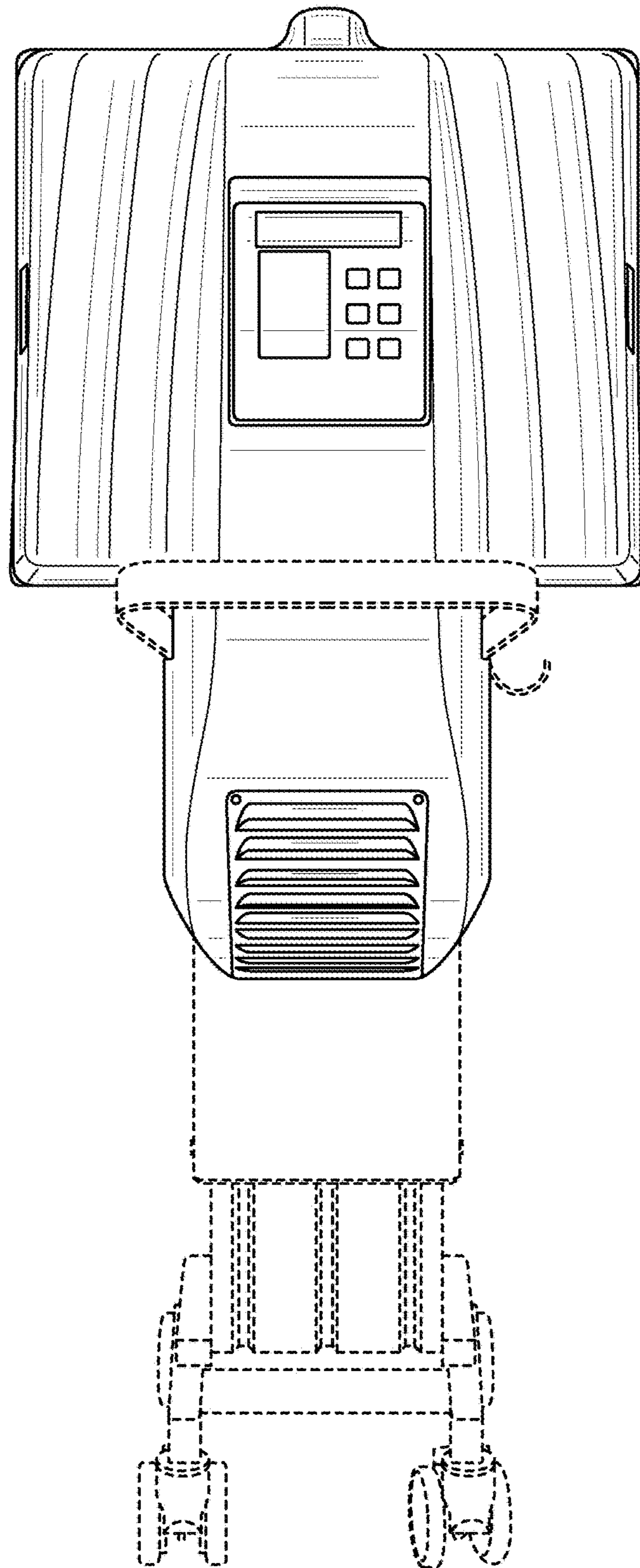


FIG. 5