



US00D783790S

(12) **United States Design Patent** (10) **Patent No.:** **US D783,790 S**
Tajima et al. (45) **Date of Patent:** **** Apr. 11, 2017**

(54) **HEAT EXCHANGER FOR AN AIR CONDITIONER**

(56) **References Cited**

(71) Applicant: **Toshiba Carrier Corporation,**
Kawasaki, Kanagawa (JP)
(72) Inventors: **Yuusuke Tajima,** Fuji (JP); **Koichi Kodani,** Fuji (JP)
(73) Assignee: **TOSHIBA CARRIER CORPORATION,** Kawasaki (JP)

U.S. PATENT DOCUMENTS

D310,712 S *	9/1990	Del Fresno	D23/335
D532,889 S *	11/2006	Shimizu	D23/351
D606,645 S *	12/2009	Orihara	D23/366
D683,834 S *	6/2013	Katou	D23/351
2006/0130516 A1 *	6/2006	Sugiyama	F24F 1/56 62/507
2008/0039005 A1 *	2/2008	Coven	F24F 7/00 454/234
2010/0294466 A1 *	11/2010	Shimaoka	F24F 1/24 165/104.33
2010/0319380 A1 *	12/2010	Mochizuki	F24F 1/06 62/259.1
2011/0000653 A1 *	1/2011	Nakagawa	F24F 1/38 165/121

(**) Term: **14 Years**

(21) Appl. No.: **29/521,716**

(22) Filed: **Mar. 26, 2015**

(30) **Foreign Application Priority Data**

Sep. 26, 2014 (JP) 2014-021397
Sep. 26, 2014 (JP) 2014-021398

(51) **LOC (10) Cl.** **23-04**

(52) **U.S. Cl.**
USPC **D23/354**

(58) **Field of Classification Search**
USPC D23/314, 317, 324, 325, 328, 329, 330, 332, 333, 335, 341, 342, 351, 353, 354, 355, 356, 357, 359, 364, 365, 366, 370, 375, 379, 385, 386, 388, 393, 499
CPC F24F 1/00; F24F 1/02; F24F 1/08; F24F 1/42; F24F 1/46; F24F 1/60; F24F 1/0003; F24F 1/007; F24F 1/0011; F24F 3/044; F24F 3/048; F24F 3/16; F24F 7/00; F24F 7/04; F24F 12/001; F24F 12/006; F24F 13/20

See application file for complete search history.

(Continued)

Primary Examiner — Susan E Krakower
Assistant Examiner — Lisa A Grabenstetter
(74) *Attorney, Agent, or Firm* — Westerman, Hattori, Daniels & Adrian, LLP

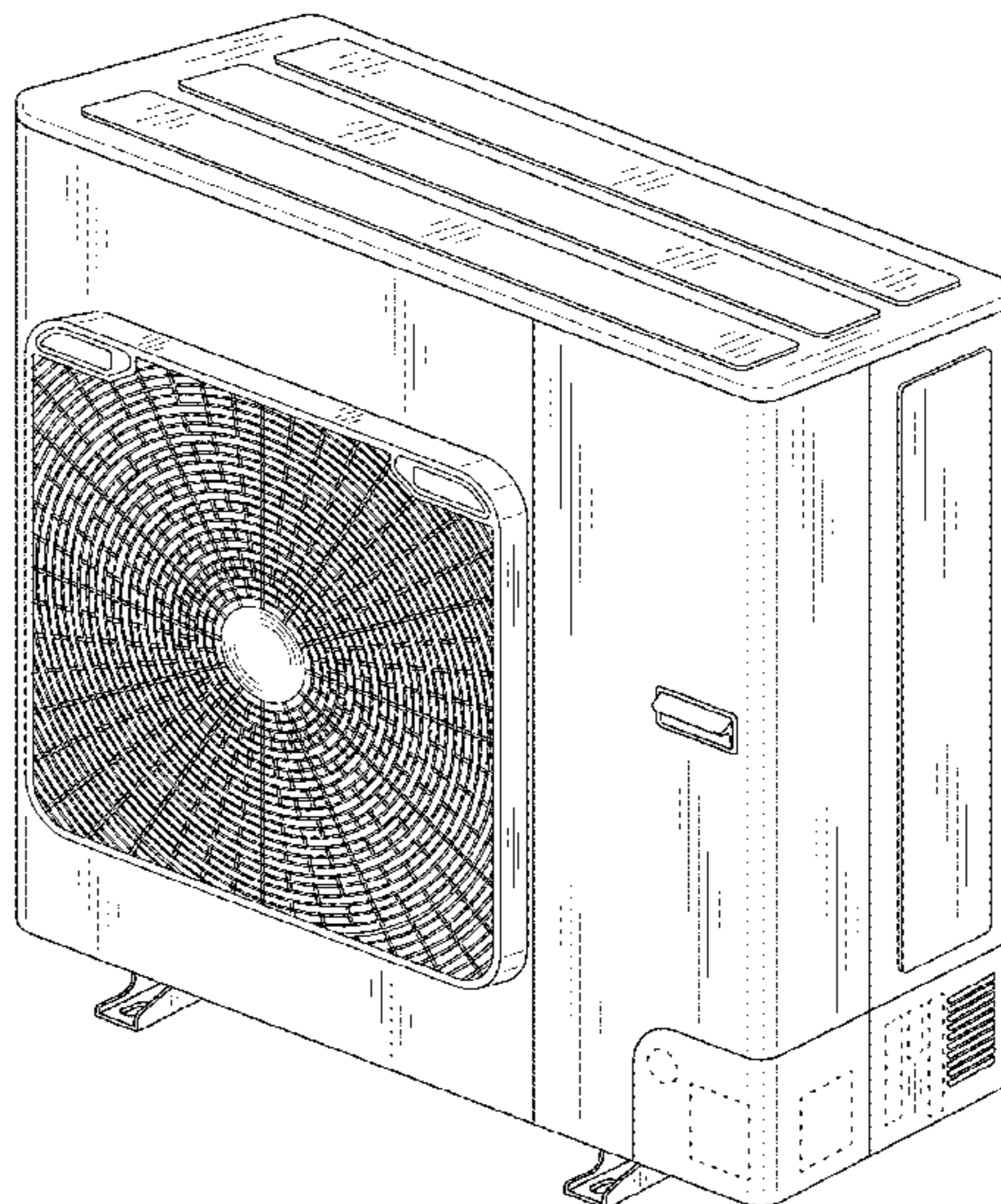
(57) **CLAIM**

The ornamental design for a heat exchanger for an air conditioner, as shown and described.

DESCRIPTION

FIG. 1 is a front, right side, and top perspective view of a heat exchanger for an air conditioner showing our new design.
FIG. 2 is a front view thereof.
FIG. 3 is a right side view thereof.
FIG. 4 is a top plan view thereof.
FIG. 5 is a left side view thereof.
FIG. 6 is a rear view thereof; and,
FIG. 7 is a bottom plan view thereof.
The broken line portions of the design are included to show unclaimed portions and form no part of the claim.

1 Claim, 7 Drawing Sheets



(56)

References Cited

U.S. PATENT DOCUMENTS

2011/0126567 A1* 6/2011 Asanuma F24F 1/0003
62/259.1
2011/0225992 A1* 9/2011 Lee F24F 1/0003
62/80
2012/0167608 A1* 7/2012 Bae F24F 1/08
62/296
2013/0043007 A1* 2/2013 Hong F28F 13/003
165/104.26

* cited by examiner

Fig. 1

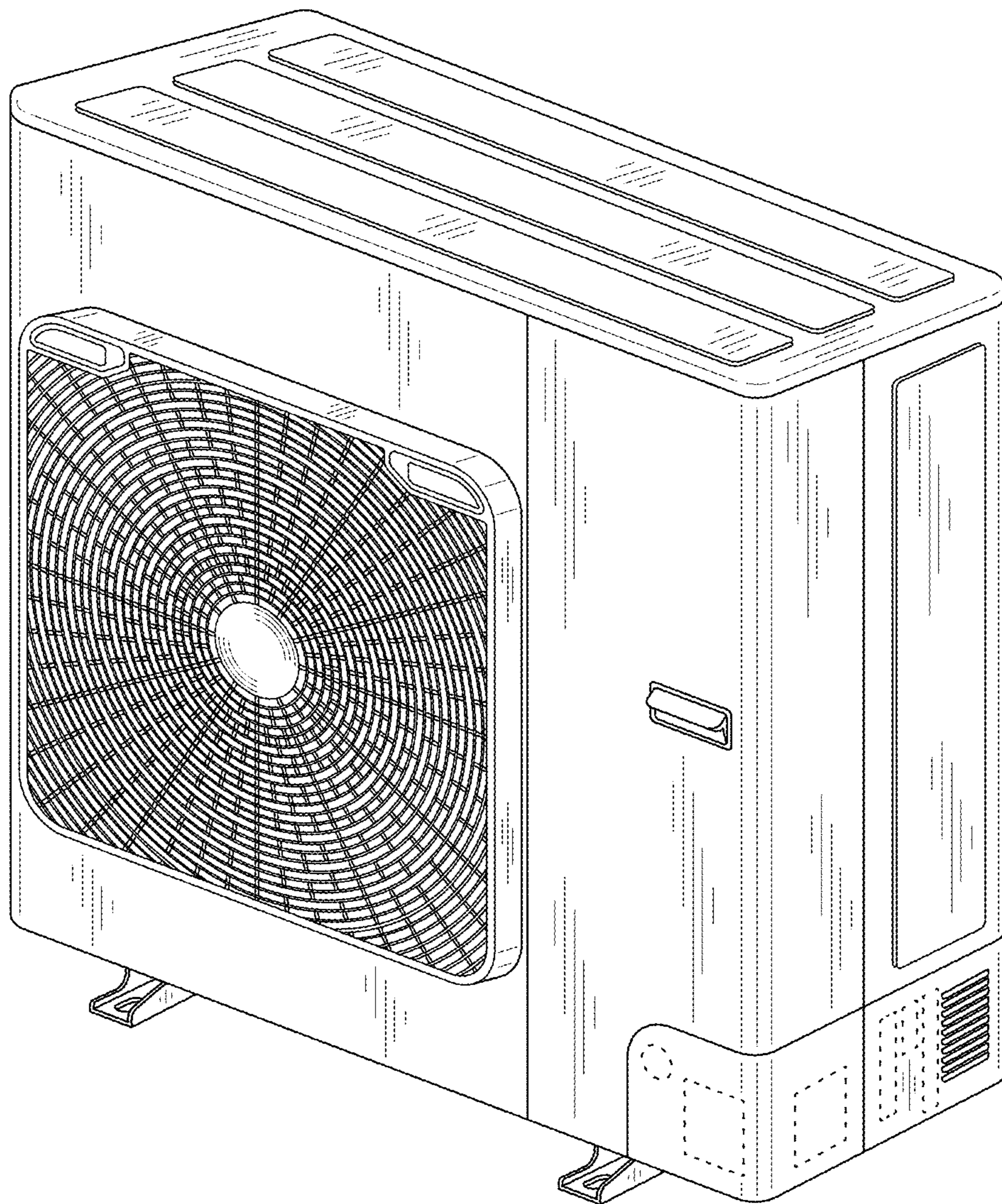


Fig. 2

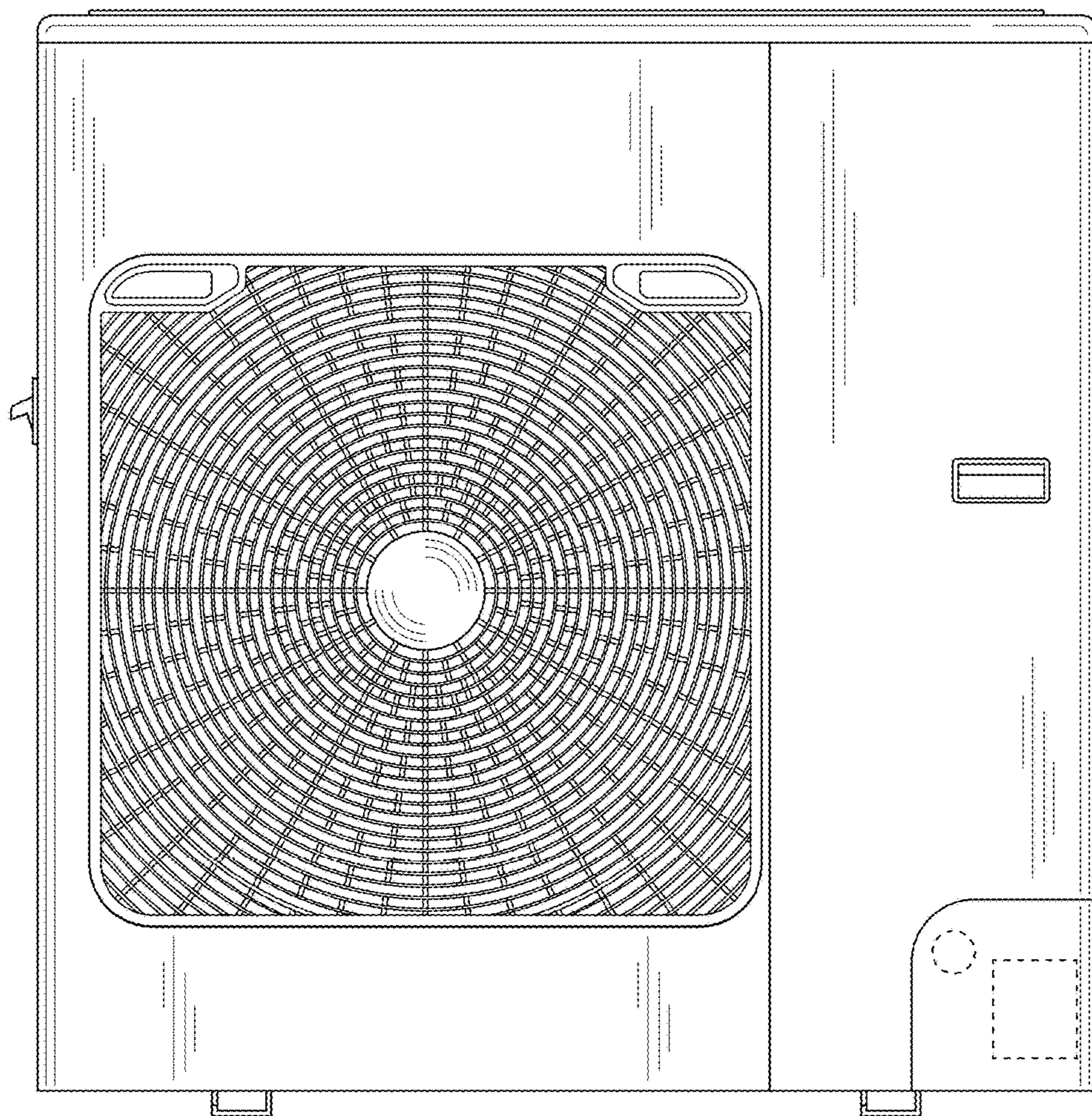


Fig. 3

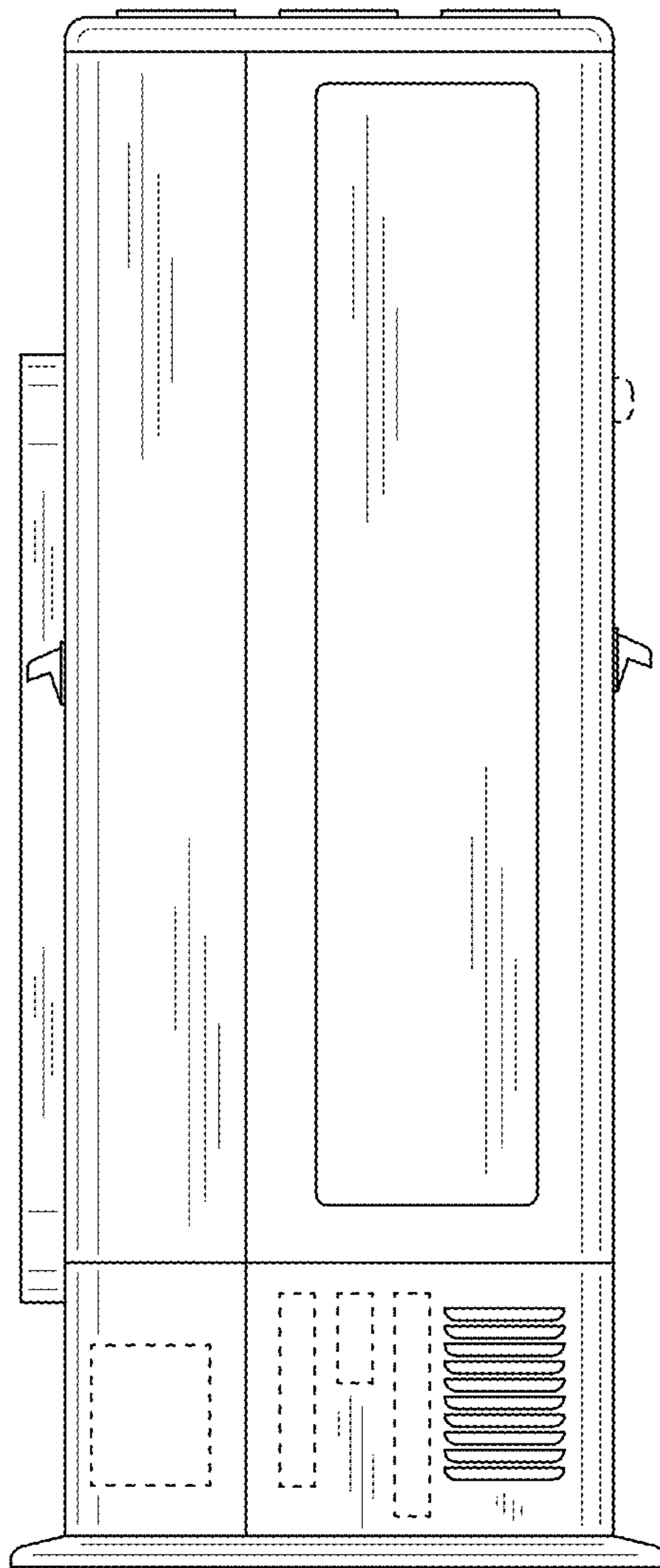


Fig. 4

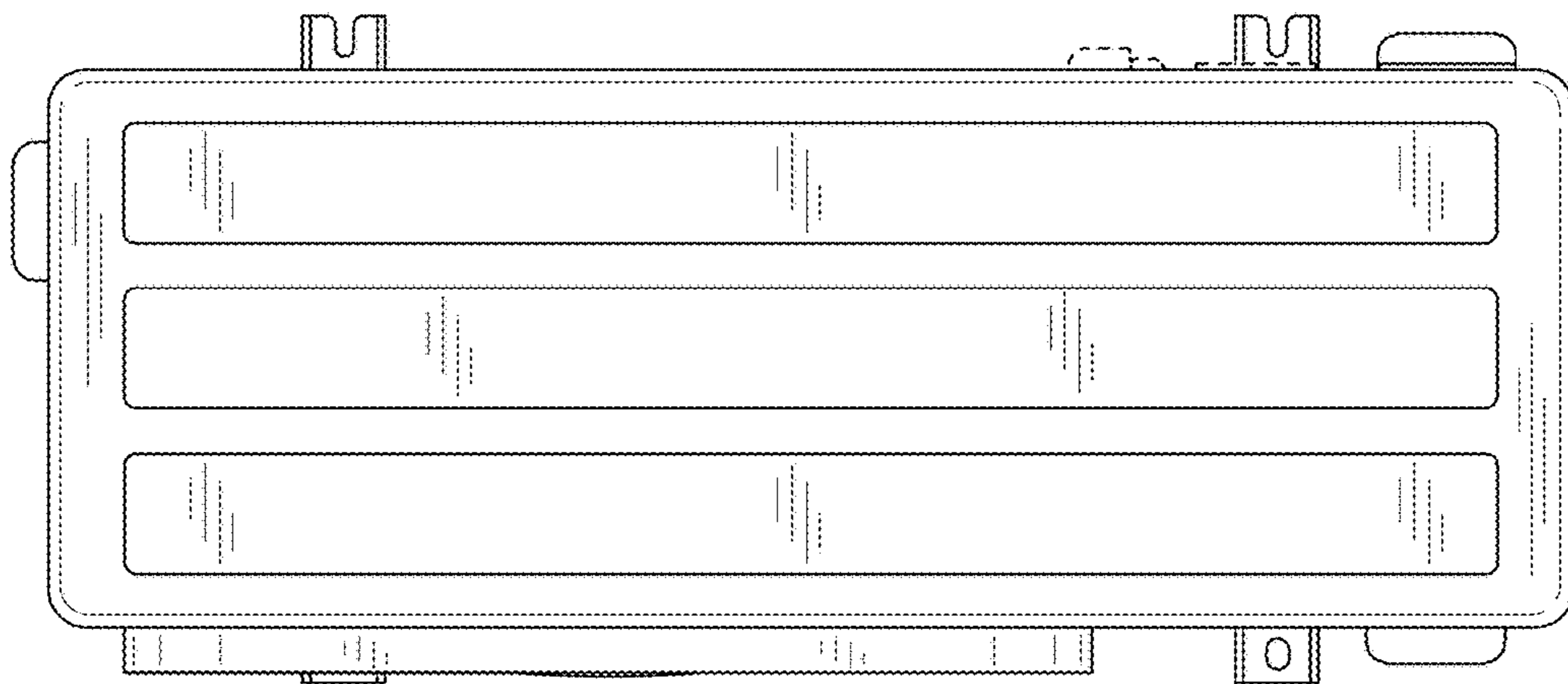


Fig. 5

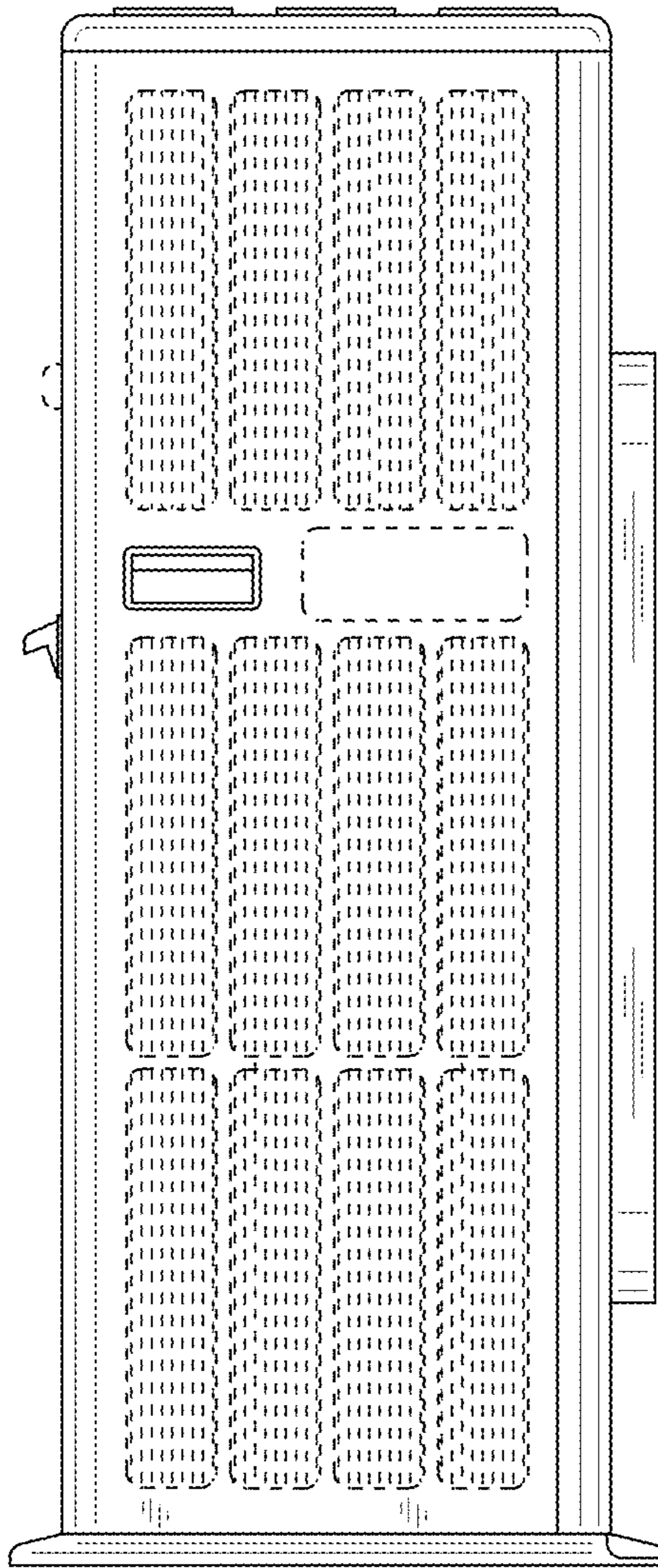


Fig. 6

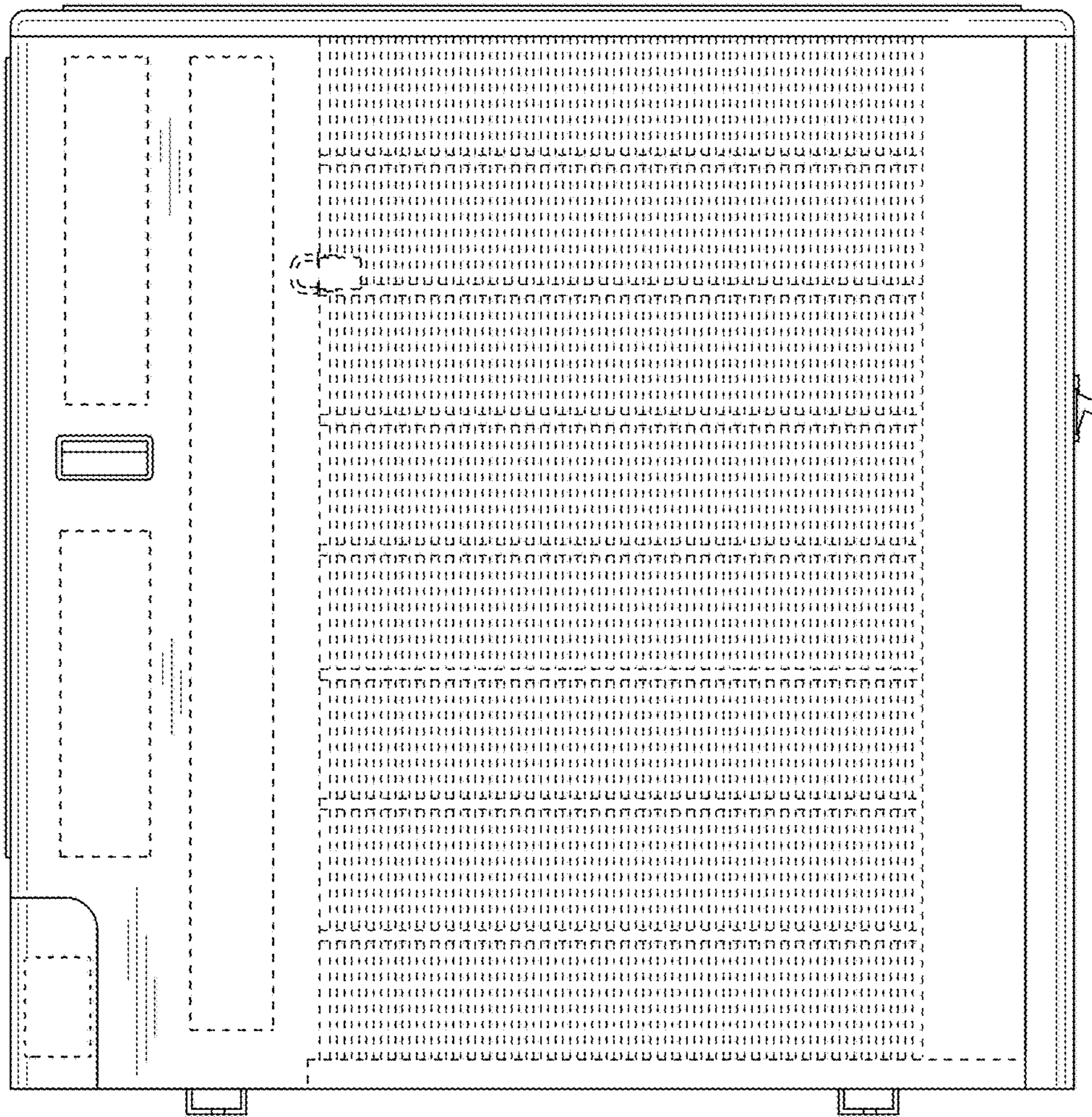


Fig. 7

