



US00D783789S

(12) **United States Design Patent**
Yamamoto et al.

(10) **Patent No.:** **US D783,789 S**

(45) **Date of Patent:** **** Apr. 11, 2017**

(54) **DRAIN PAN FOR HEAT EXCHANGER**

(71) Applicant: **mitsubishi electric CORPORATION**, Tokyo (JP)

(72) Inventors: **Keiichi Yamamoto**, Tokyo (JP);
Tomoki Hayashi, Tokyo (JP); **Hiroyuki Masuda**, Tokyo (JP)

(73) Assignee: **Mitsubishi Electric Corporation**, Tokyo (JP)

(**) Term: **14 Years**

(21) Appl. No.: **29/524,777**

(22) Filed: **Apr. 23, 2015**

(30) **Foreign Application Priority Data**

Nov. 19, 2014 (JP) 2014-025851

(51) **LOC (10) Cl.** **23-03**

(52) **U.S. Cl.**
USPC **D23/323**

(58) **Field of Classification Search**
USPC D23/323, 385-395, 397, 370-373, 365,
D23/351, 354, 399-403, 421, 499, 259,
D23/200, 314, 341, 333; 62/291;
220/571; 264/239
CPC F24F 13/222; F24F 2013/227; F24F 13/32;
F25D 21/14

See application file for complete search history.

(56) **References Cited**

U.S. PATENT DOCUMENTS

D240,801 S * 8/1976 Marchetti D3/311
D246,633 S * 12/1977 Torokvei D3/309
D269,218 S * 5/1983 Berman D3/308
D307,967 S * 5/1990 Lanius D3/309
5,664,431 A * 9/1997 Martin, Sr. F24F 13/22
62/286

5,950,586 A * 9/1999 Ropertz F02B 27/00
123/184.21
6,983,770 B2 * 1/2006 Kondou B21C 37/104
138/151
D603,228 S * 11/2009 Frentzel D3/311
D662,882 S * 7/2012 Wu D13/119

(Continued)

Primary Examiner — T. Chase Nelson

Assistant Examiner — Ania Aman

(74) *Attorney, Agent, or Firm* — Studebaker & Brackett
PC

(57) **CLAIM**

The ornamental design for a drain pan for heat exchanger, as shown and described.

DESCRIPTION

FIG. 1. is a front perspective view of the front, left, and bottom sides of a drain pan for heat exchanger showing our new design;

FIG. 2. is a rear perspective view of the rear, right, and top sides of thereof;

FIG. 3. is a front view thereof;

FIG. 4. is a rear view thereof;

FIG. 5. is a left side view thereof;

FIG. 6. is a right side view thereof;

FIG. 7. is a top plan view thereof;

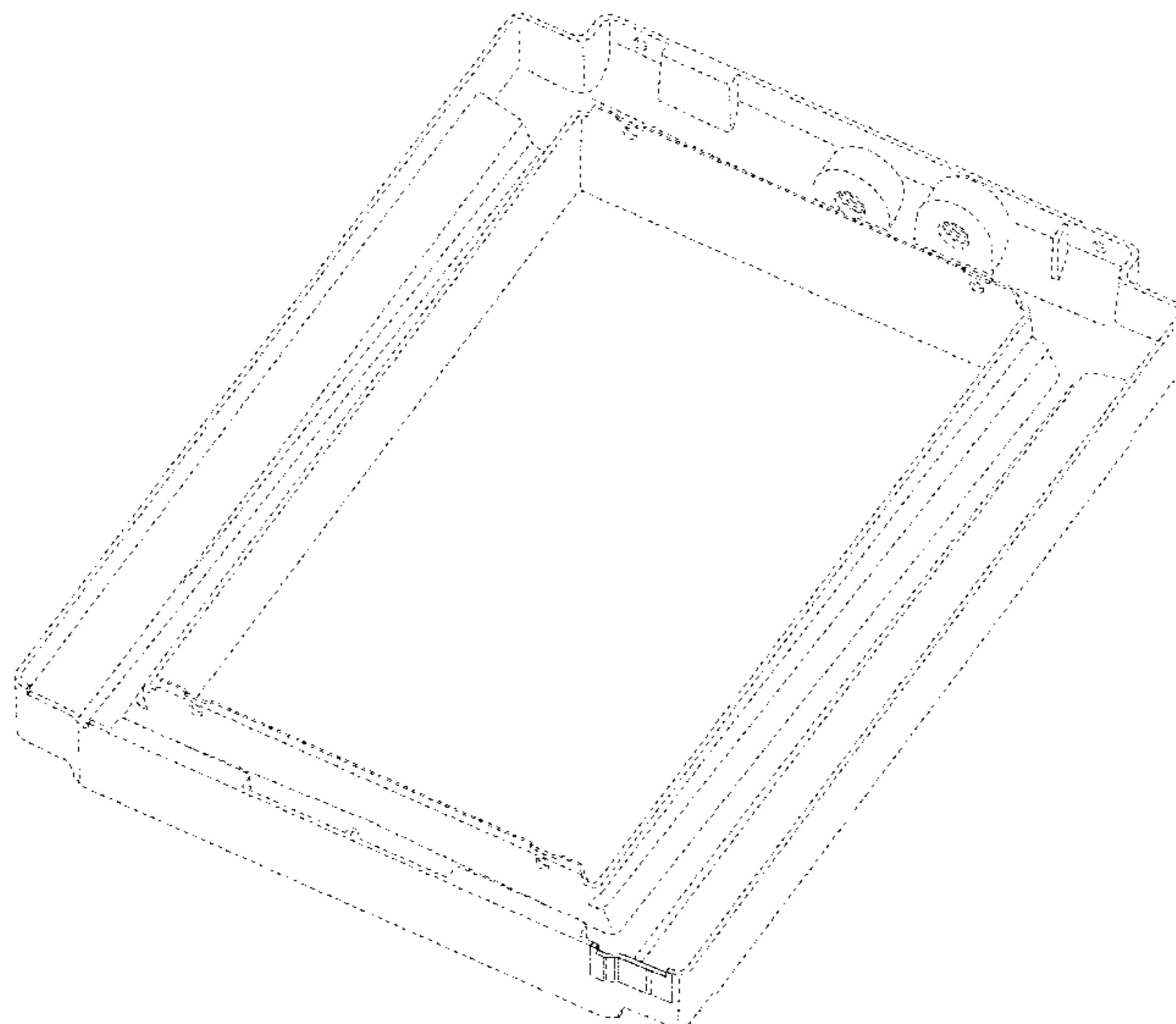
FIG. 8. is a bottom view thereof;

FIG. 9. is an enlarged perspective view at a part 9 shown in FIG. 2; and,

FIG. 10. is a reference view of usage.

The broken lines shown represent unclaimed subject matter of the drain pan for heat exchanger and form no part of the claimed design. The dash-dot lines represent the boundary between the claimed design and unclaimed design. The dash-dot-dot lines represent the locations and borders of an enlarged view showing details and form no part of the claimed design.

1 Claim, 8 Drawing Sheets



(56)

References Cited

U.S. PATENT DOCUMENTS

2006/0191289 A1* 8/2006 Bush F24F 1/0007
62/515
2008/0104988 A1* 5/2008 Lee F24F 1/025
62/285
2010/0071868 A1* 3/2010 Reifel B23P 15/26
165/47
2010/0192611 A1* 8/2010 Yamaguchi F24F 1/0014
62/291

* cited by examiner

Fig. 1

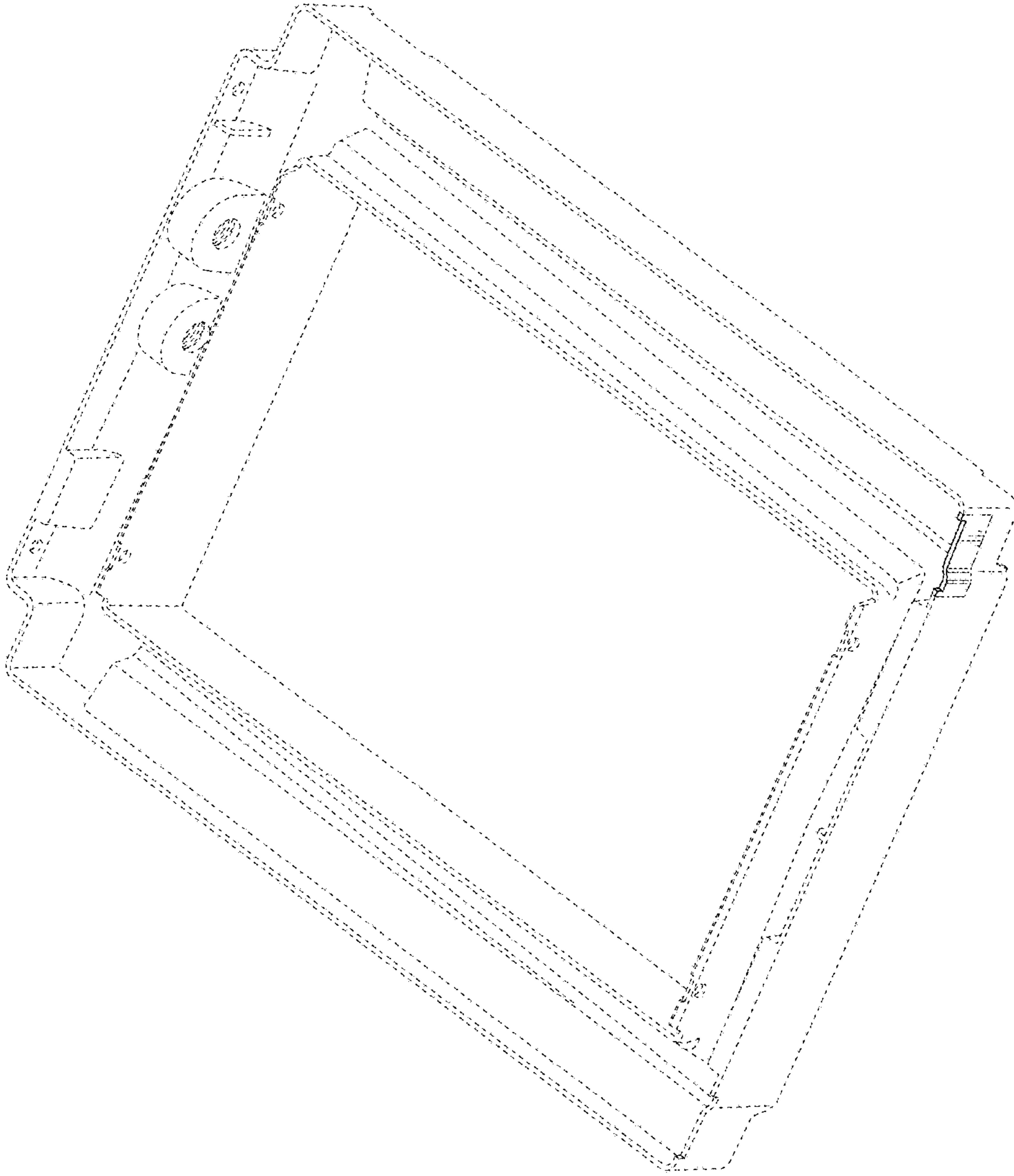


Fig. 2

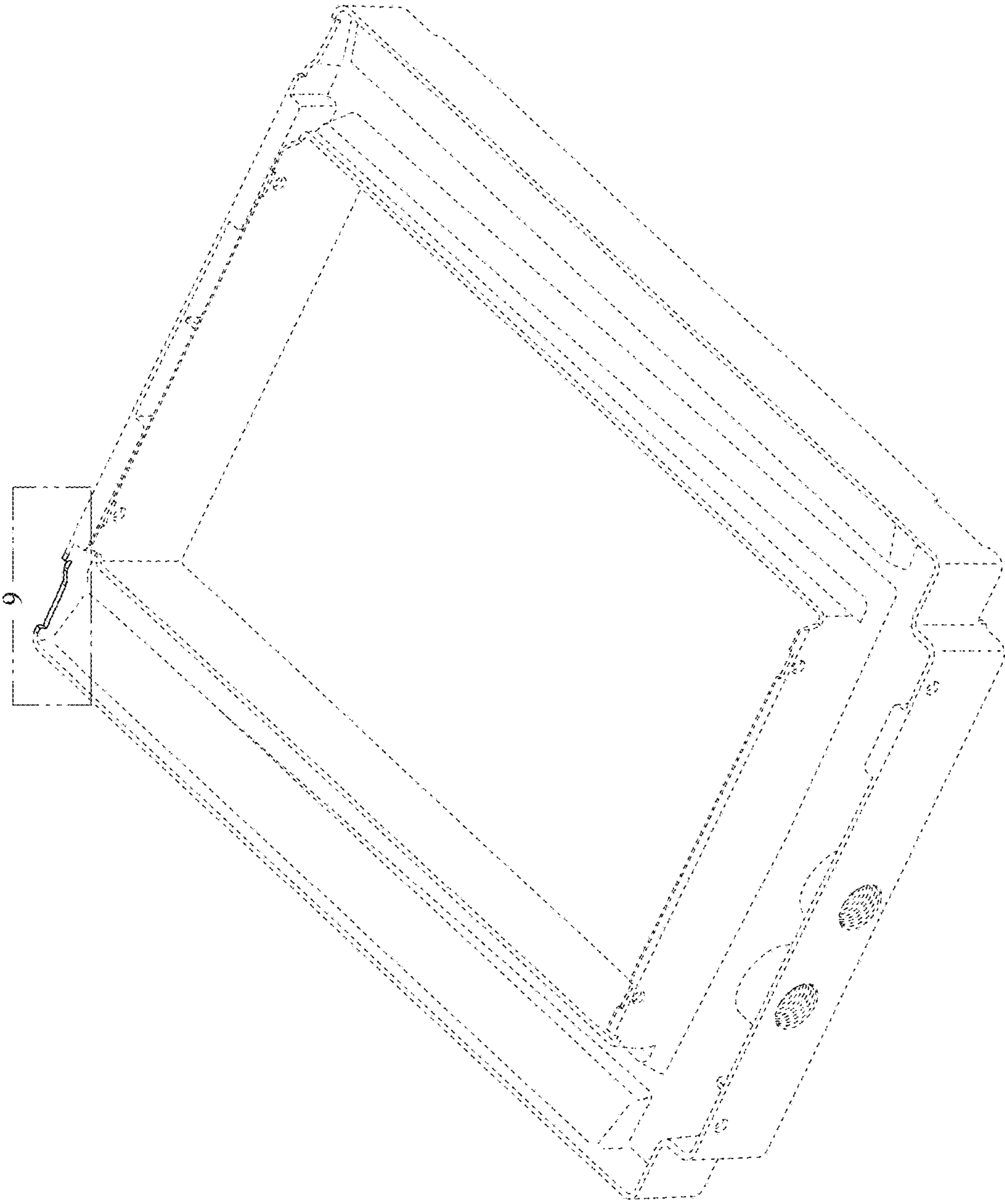


Fig. 3

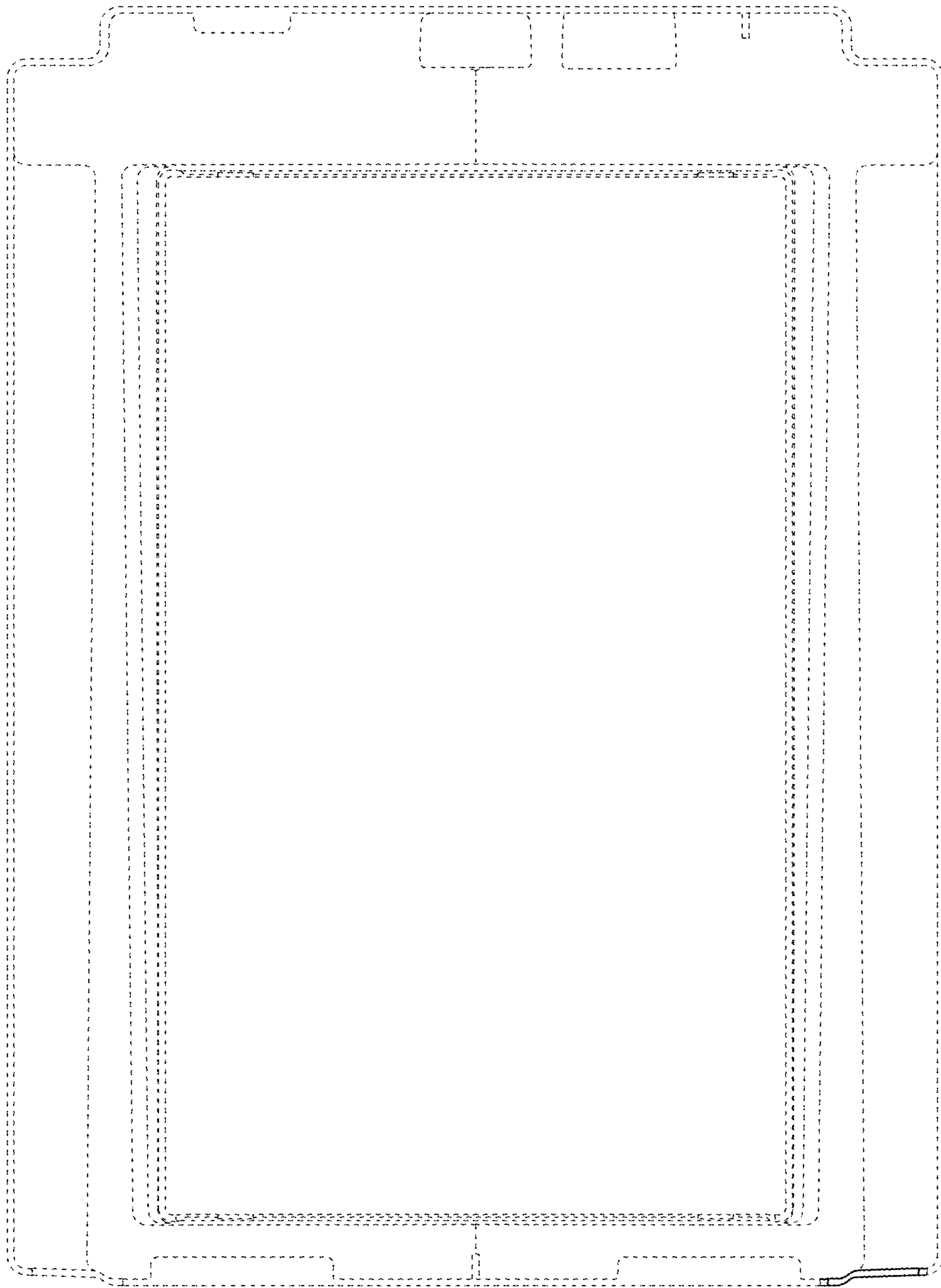


Fig. 4

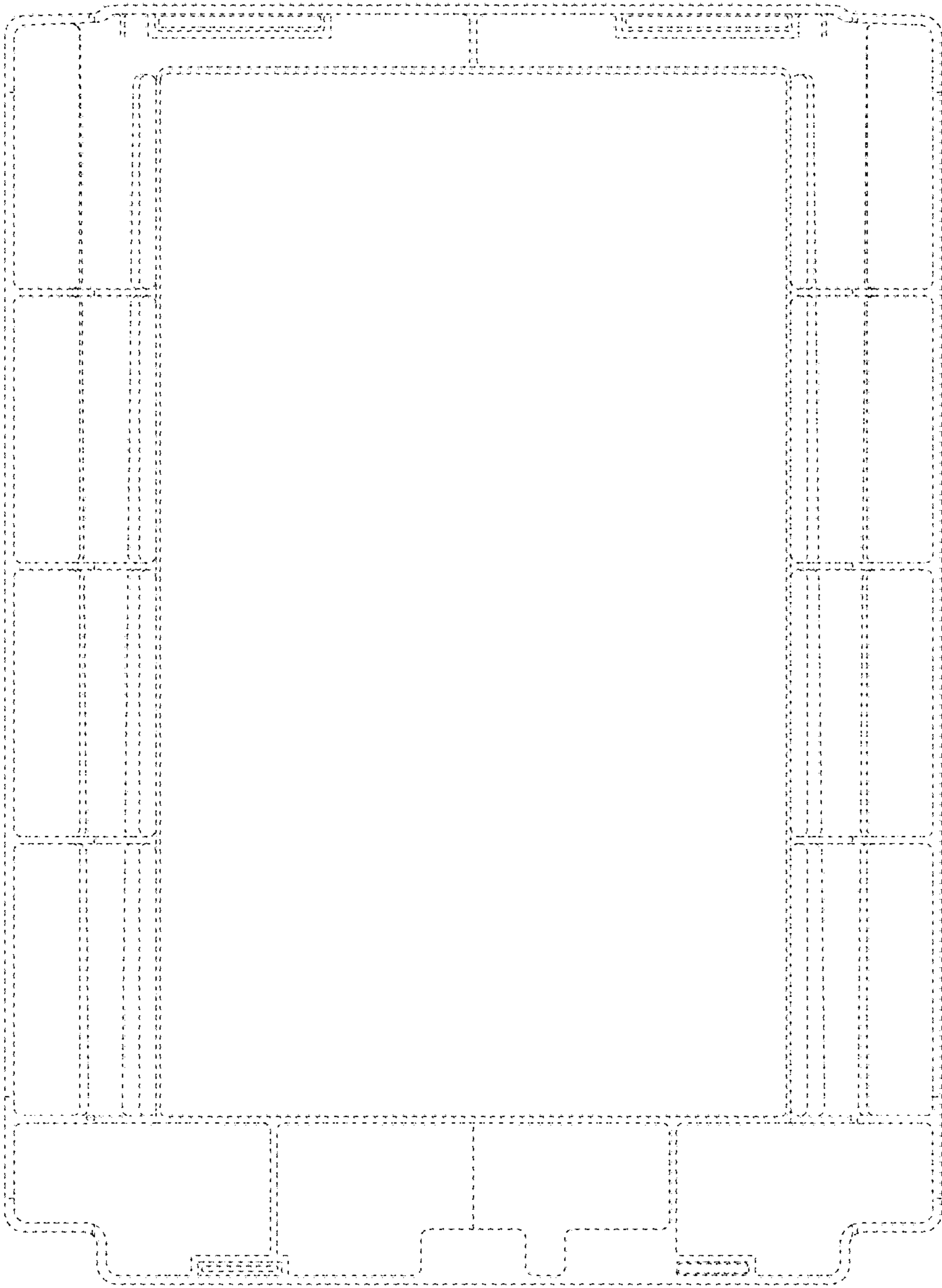


Fig. 6

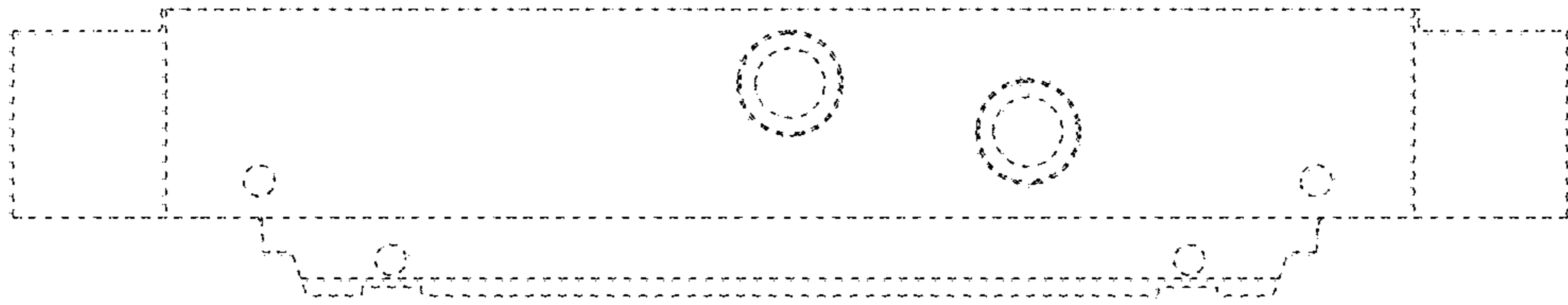


Fig. 5

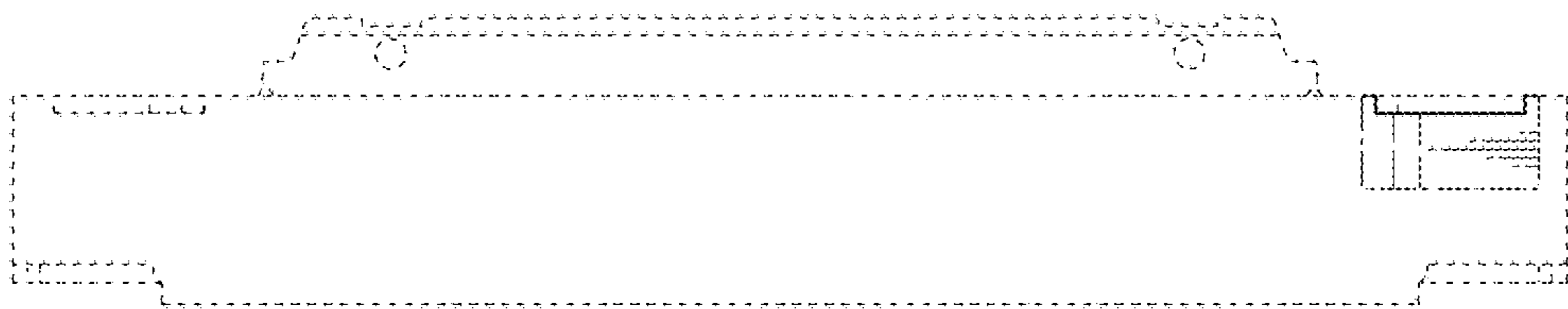


Fig. 7

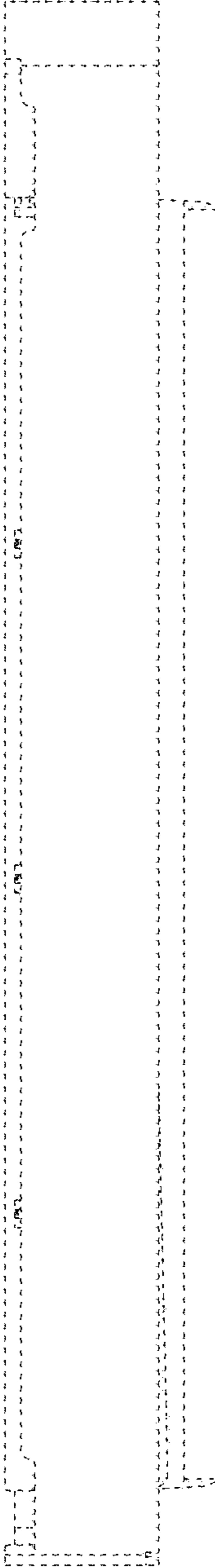


Fig. 8

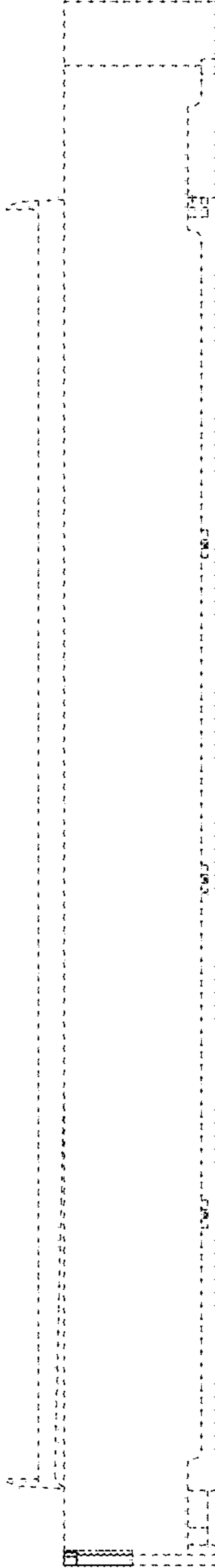


Fig. 9

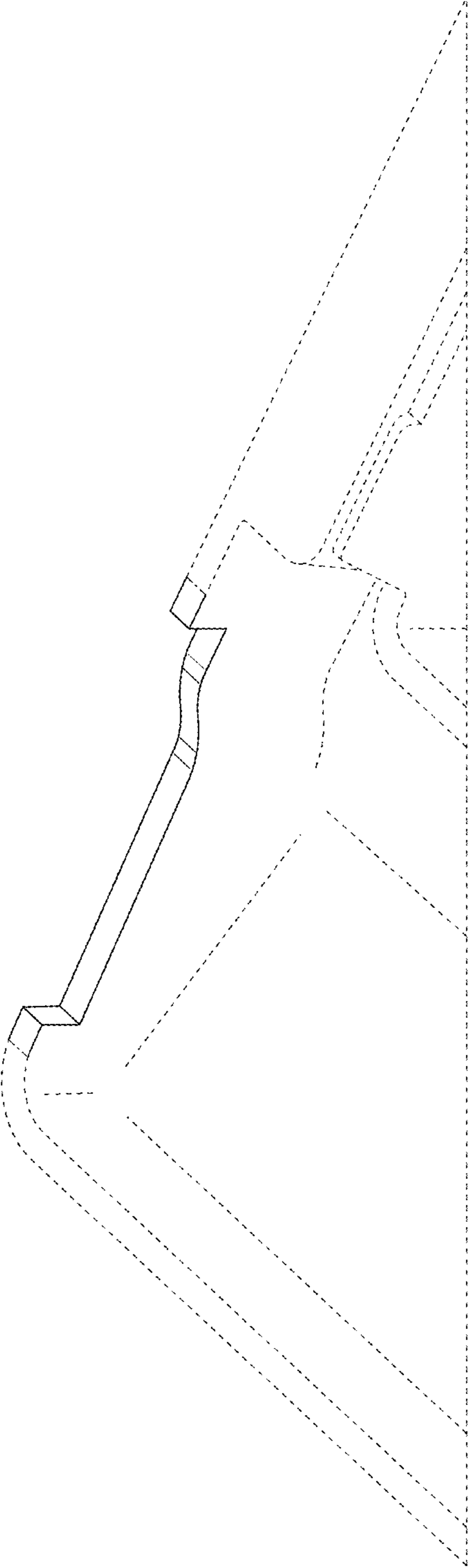


Fig. 10

